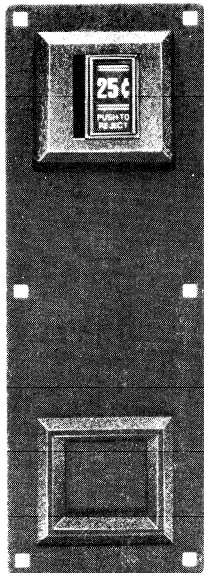




# 2800 SERIES FRONTPLATE



FRONT VIEW

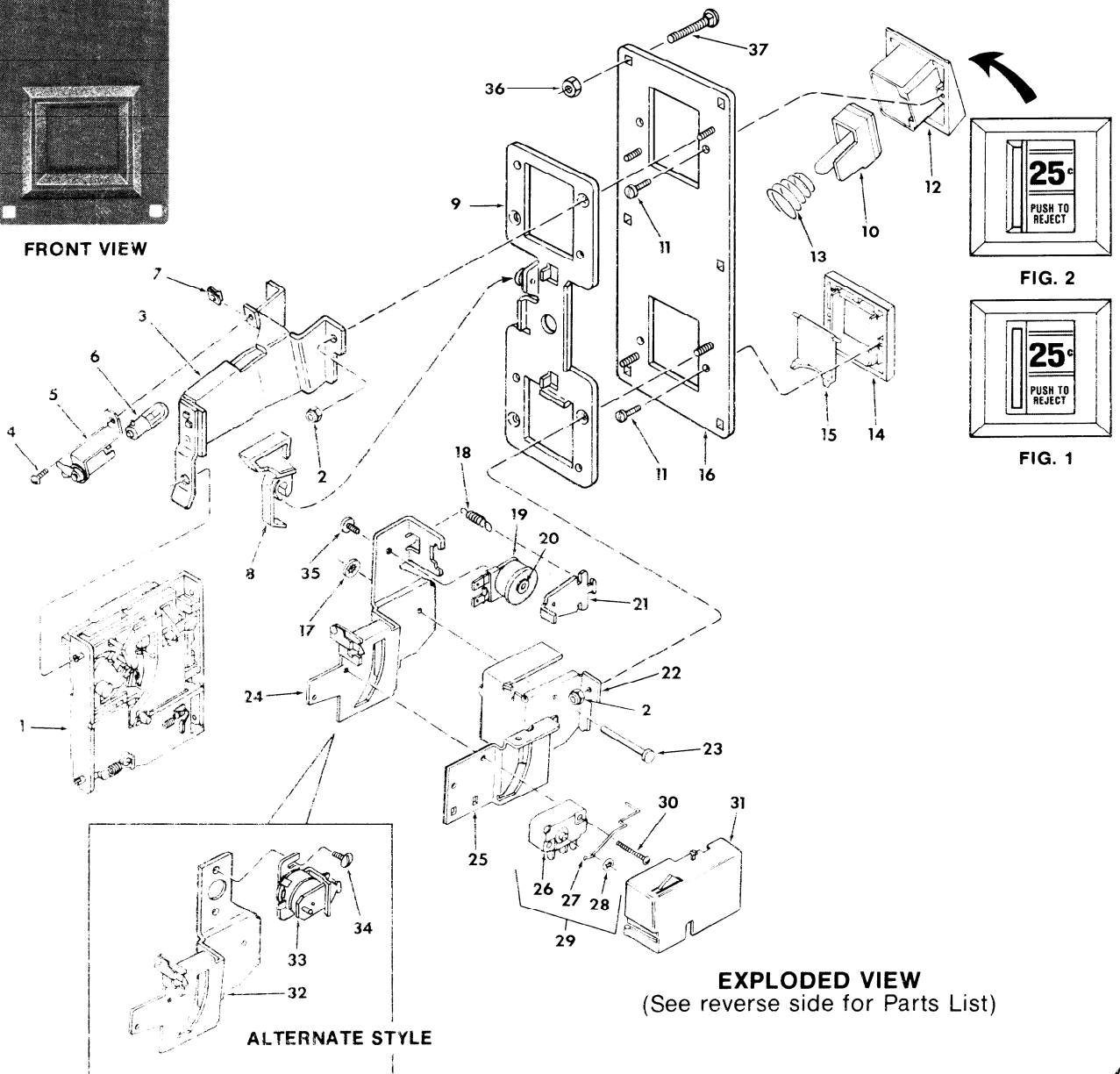
## OVERALL DIMENSIONS

Height ..... 9-1/4-Inches  
 Width ..... 3-1/8-Inches  
 Depth ..... 4-5/8-Inches

## RECOMMENDED CABINET OPENING

Height ..... 8-5/16-Inches  
 Width ..... 2-5/8-Inches

SHIPPING WEIGHT ..... 2.5 Pounds



**EXPLODED VIEW**  
 (See reverse side for Parts List)

ALTERNATE STYLE

## PARTS LIST FOR 2800 SERIES FRONTPLATE

Index No.	Part No.	Description	Index No.	Part No.	Description
1	5301-13	25¢ NORYL Acceptor		404603-3	C.R.E.M. Coil (24 vac)
	563-20	25¢ Metal Acceptor		404603-5	C.R.E.M. Coil (28 vdc)
2	400-4	Nut		404603-4	C.R.E.M. Coil (48vac)
3	404645	Coin Inlet Chute Assembly		404603-7	C.R.E.M. Coil (12vac)
4	110-4-6	Screw		404603-9	C.R.E.M. Coil (117vac)
5	904717	Lamp Socket	20	905927-2	C.R.E.M. Core (D.C. Only)
6	904716	Lamp (6.3 volt)		406104	C.R.E.M. Core (A.C. Only)
	904716-1	Lamp (12/14 volt)	21	404602	Armature Assembly
	904716-2	(Lamp 24 volt)	22	904598-1	Coin Return Box
	904716-9	Lamp (120 volt)	23	904935	A.P.F. Bar
7	904712	"U" Type Fastener	24	404601	Switch and C.R.E.M. Bracket
8	904583	Coin Return Lever	25	904701	Coin Chute
9	404464	Inner Panel/Rivet Assembly	26	904845	Coin Switch
10	404734	Button Assembly (Used with Figure 1)	27	904710	25¢ Switch Wire
	404604	Button Assembly (Used with Figure 2)	28	900651	Switch Wire Retainer
11	325-4-4	Screw	29	404353	25¢ Coin Switch Assembly
12	904588-2	Coin Inlet Bezel (Used with Figure 1)	30	100-4-12	Screw
	905425-4	Coin Inlet Bezel (Used with Figure 2)	31	904762-1	Switch Cover
	905425-5	Coin Inlet Bezel (1.213 Coin Diameter)	32	404428	Switch and C.R.E.M. Bracket
	905425-6	Coin Inlet Bezel (1.312 Coin Diameter)	*33	404354	C.R.E.M. Assembly (10/12vdc)
13	903494	Spring		404354-1	C.R.E.M. Assembly (6vdc)
14	904590-2	Coin Return Bezel		404354-2	C.R.E.M. Assembly (24vdc)
15	905484	Coin Return Door		404354-3	C.R.E.M. Assembly (24vac)
16	404463	Frontplate Assembly		404354-5	C.R.E.M. Assembly (28 vdc)
17	904936	A.P.F. Bar Keeper		404354-4	C.R.E.M. Assembly (48vac)
18	905928	Spring		404354-7	C.R.E.M. Assembly (12vac)
*19	404603	C.R.E.M. Coil (10/12vdc)		404354-9	C.R.E.M. Assembly (117vac)
	404603-1	C.R.E.M. Coil (6vdc)	34	100-6-4	Screw
	404603-2	C.R.E.M. Coil (24vdc)	35	108B5-4	Screw

### MOUNTING HARDWARE NOT INCLUDED WITH UNIT

36	406-10	Hex Nut
37	905022	Carriage Bolt

\* Index No. 19 used with Index No. 24 only.  
 Index No. 33 (Alternate Style) used with  
 Index No. 32 only.



**COIN ACCEPTORS, INC.**  
 300 HUNTER AVE.  
 ST. LOUIS, MISSOURI 63105  
 800-325-2646

**COIN ACCEPTORS, CANADA**  
 868 PROGRESS AVE.  
 SCARBOROUGH (TORONTO), ONTARIO M1H 2X7  
 416-438-6314

COINCO PUBLICATION NO. 906218 Rev. 1 10/83  
 Printed in U.S.A.