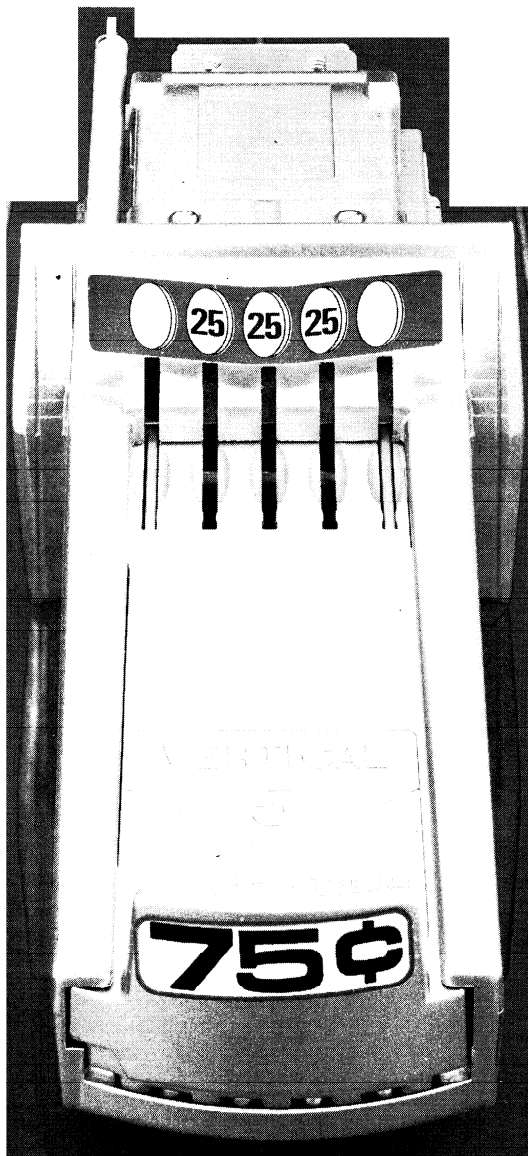


**Greenwald introduces the newest addition to its fine line of products**

## **The VERTICAL 5 Coin Chute**

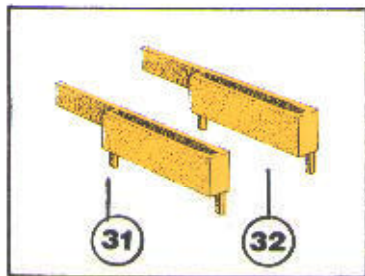
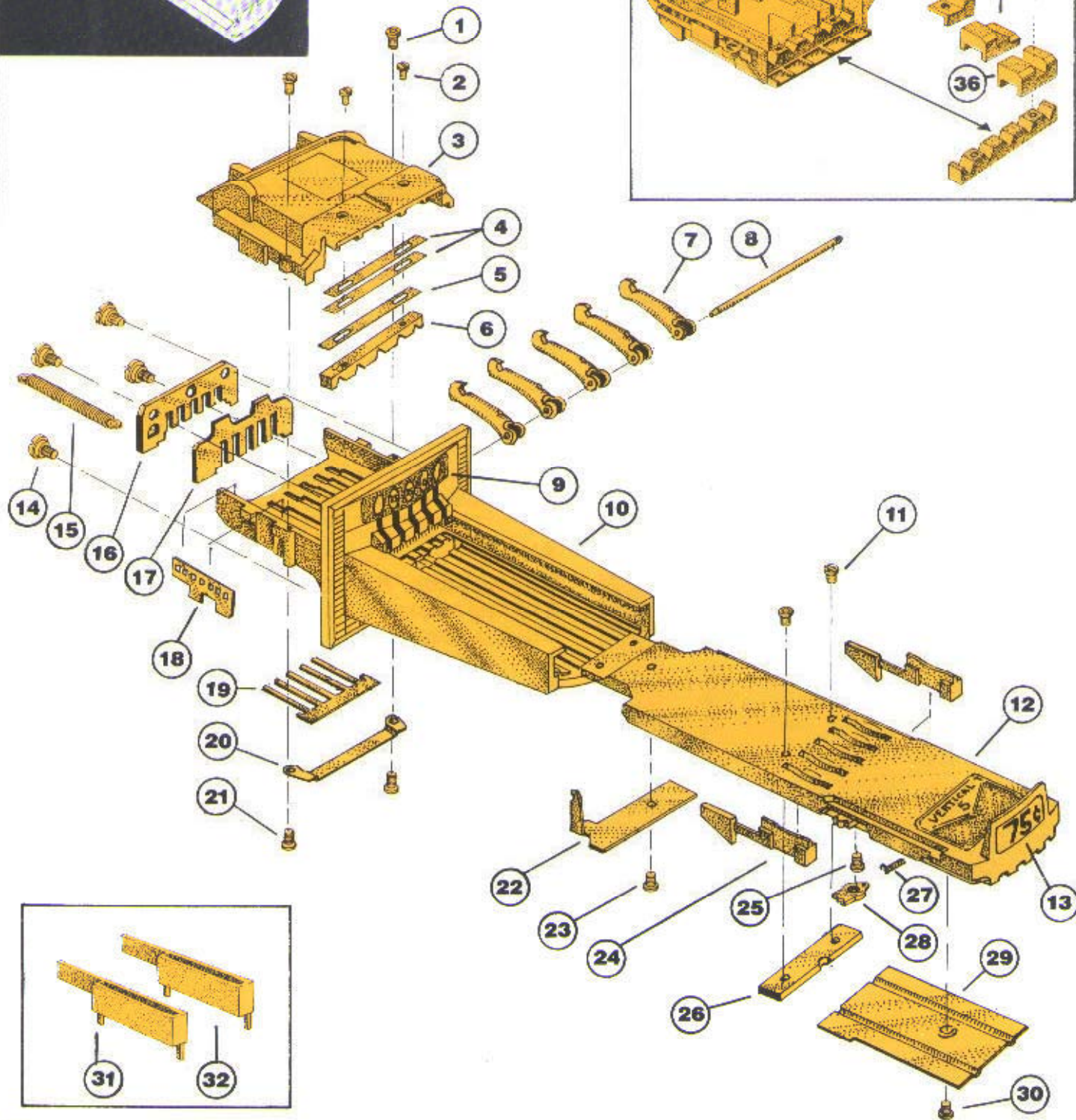
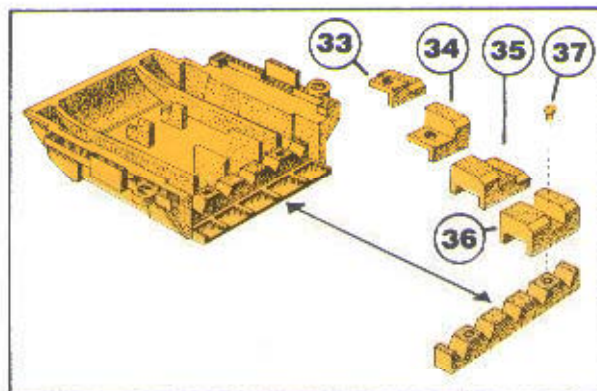
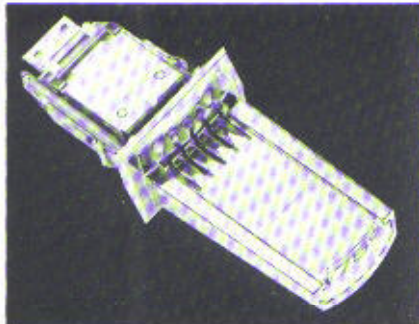


- **24 ways to go from 0 to \$1.25 using nickels dimes and quarters.**
  - **All parts formed or cast in metal for quality and durability.**
  - **3-way anti-cheat protection.**
  - **Fits all major makes of washers and dryers:**  
**General Electric, Inglis, Maytag, Norge, Speed Queen, Wascomat, Westinghouse, Whirlpool**
- 
- American Dryer, Huebsch, International Dryer**
- 

**Also:**

**Car washes/Vacuums  
Billiard tables  
Stamp venders  
Air machines  
Egg machines  
Kiddie rides  
Decal venders  
Skill games  
Snack venders  
Drink venders  
Sealing machines  
Newspaper venders  
Novelty venders**

# The Vertical 5 Coin Chute



# The Vertical 5 Coin Chute

ITEM	REQ'D	PART NO.	DESCRIPTION
1	2	00-7924	SCREW
2	2	00-7936	SCREW
3	1	27-3001	TOP HOUSING
4	2	27-2009	SHIM (USA)
5	1	27-2010	SHIM (CANADIAN)
6	1	27-3003	COIN SIZING BLOCK
7	5	27-2006	SLIDE STOP DOG
8	1	27-4000	DOG SHAFT
9	1	00-9910	DECAL, CASTING
10	1	27-1002	BODY CASTING
11	2	00-7935	SCREW
12	1	27-3002	COIN SLIDE
13	1	00-9104	DECAL, SLIDE
14	4	00-7483	CHUTE LOCATING SCREW
15	1	00-8148	SLIDE RETURN SPRING
16	1	27-2002	GATE COVER
17	1	27-2001	GATE
18	1	27-2005	RACK
19	1	00-8159	5 FINGER SPRING
20	1	27-2008	SPRING PROTECTOR
21	2	00-7931	SCREW
22	1	27-2004	SLIDE STOP
23	1	00-7923	SCREW
24	*	27-5000	BLOCKOUT KEY
25	1	27-4001	RATCHET DOG POST
26	1	27-2007	BUFFER
27	1	00-8123	RATCHET DOG SPRING
28	1	20-2008	RATCHET DOG
29	1	27-2003	STORAGE COVER
30	1	00-7932	SCREW
31	*	27-5001	5¢ INSERT
32	*	27-5002	10¢ INSERT
33	*	27-3008	COIN SIZING BLOCK (5¢)
34	*	27-3007	SIZING BLOCK (10¢)
35	*	27-3009	SIZING BLOCK (5¢ X 10¢)
36	*	27-3010	SIZING BLOCK (10¢ X 10¢)
37	*	00-7937	SCREW

## CHANGING THE PRICE OF THE VERTICAL 5 COIN CHUTE

### A. To obtain 25¢-50¢-75¢-\$1.00-\$1.25 prices.

1. Remove return spring (15).
2. Remove slide stop (22, 23).
3. Pull out slide (12) from body casting.
4. Turn slide upside down, remove buffer (26), and fill slots with required number of block-out keys (24). Re-assemble buffer (26).
5. Re-assemble slide, slide stop and return spring.
6. Install appropriate price decals (9, 13).

### B. To obtain 10¢-35¢-60¢-85¢-\$1.10 prices.

1. Follow steps 1, 2, 3, 4 in A above.
2. Remove Top Housing (3) and turn upside down.
3. Install 10¢ Coin Sizing Block (34) in \$1.25 block (6) using screw (37).
4. Install 10¢ Insert (32) in #1 slot in slide (furthest to right with slide upside down).
5. Re-assemble Top Housing, Slide, Slide Stop and Return Spring.
6. Install appropriate price decals (9, 13).

### C. To obtain 5¢-30¢-55¢-80¢-\$1.05 prices.

Same as B above but use 5¢ sizing block (33) and 5¢ Insert (31) instead of (34) and (32).

### D. To obtain 20¢-45¢-70¢-95¢ prices.

Same as B above but use 10¢ x 10¢ Sizing Block (36) and two 10¢ inserts (32) in #1 and #2 slots in Slide.

### E. To obtain 15¢-40¢-65¢-90¢ prices.

Same as B above but install 10¢ x 5¢ Coin Sizing Block (35) instead of (34). Install 5¢ Insert (31) in #1 slot in slide and 10¢ Insert (32) in #2 slot in slide.

\*Quantity depends upon denomination selected.

## CASTING

# Vertical 5 Decals

## HANDLE



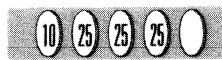
00-9910-1 BLANK



00-9910-16 75¢



00-9910-6 25¢



00-9910-18 85¢



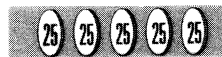
00-9910-11 50¢



00-9910-21 \$1.00



00-9910-13 60¢



00-9910-24 \$1.25



00-9104-16 BLANK



00-9104-15 25¢



00-9104-7 50¢



00-9104-3 60¢



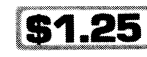
00-9104-4 75¢



00-9104-14 85¢

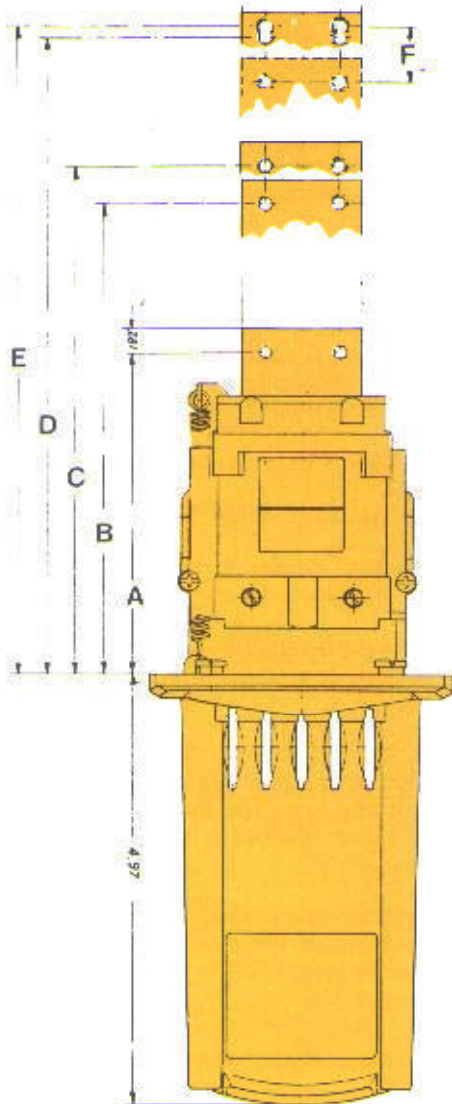


00-9104-8 \$1.00



00-9104-24 \$1.25

## VERTICAL 5 REFERENCE DIMENSIONS



- A 3.688" COIN ACCEPTING POSITION**
- B 5.390" POSITION OF SLIDE PUSHED IN WITHOUT COINS**
- C 5.815" POSITION OF RATCHET DOG IN FIRST HOLE OF RACK (POINT OF NO RETURN)**
- D 7.355" RATCHET DOG ROTATES AT THE FRONT EDGE OF RACK (SLIDE MAY NOW BE RETURNED)**
- E 7.468" FULLY EXTENDED POSITION WITH COINS**
- F FREE MOVEMENT BACK AND FORTH AFTER SLIDE HAS PASSED "D." THIS MUST BE TAKEN INTO CONSIDERATION IN DESIGN.**

## TABLE OF VEND PRICES

Vend Price	1	2	3	4	5
00	█	█	█	█	█
.05	▢	█	█	█	█
.10	▢	█	█	█	█
.15	▢	▢	█	█	█
.20	▢	▢	█	█	█
.25	█	█	▢	█	█
.30	▢	█	▢	█	█
.35	▢	█	▢	█	█
.40	▢	▢	▢	█	█
.45	▢	▢	▢	█	█
.50	█	▢	▢	█	█
.55	▢	▢	▢	█	█
.60	▢	▢	▢	█	█
.65	▢	▢	▢	▢	█
.70	▢	▢	▢	▢	█
.75	█	▢	▢	▢	█
.80	▢	▢	▢	▢	█
.85	▢	▢	▢	▢	█
.90	▢	▢	▢	▢	▢
.95	▢	▢	▢	▢	▢
\$1.00	█	▢	▢	▢	▢
\$1.05	▢	▢	▢	▢	▢
\$1.10	▢	▢	▢	▢	▢
\$1.25	▢	▢	▢	▢	▢

### EXAMPLES OF SIZING BLOCK USAGE:

