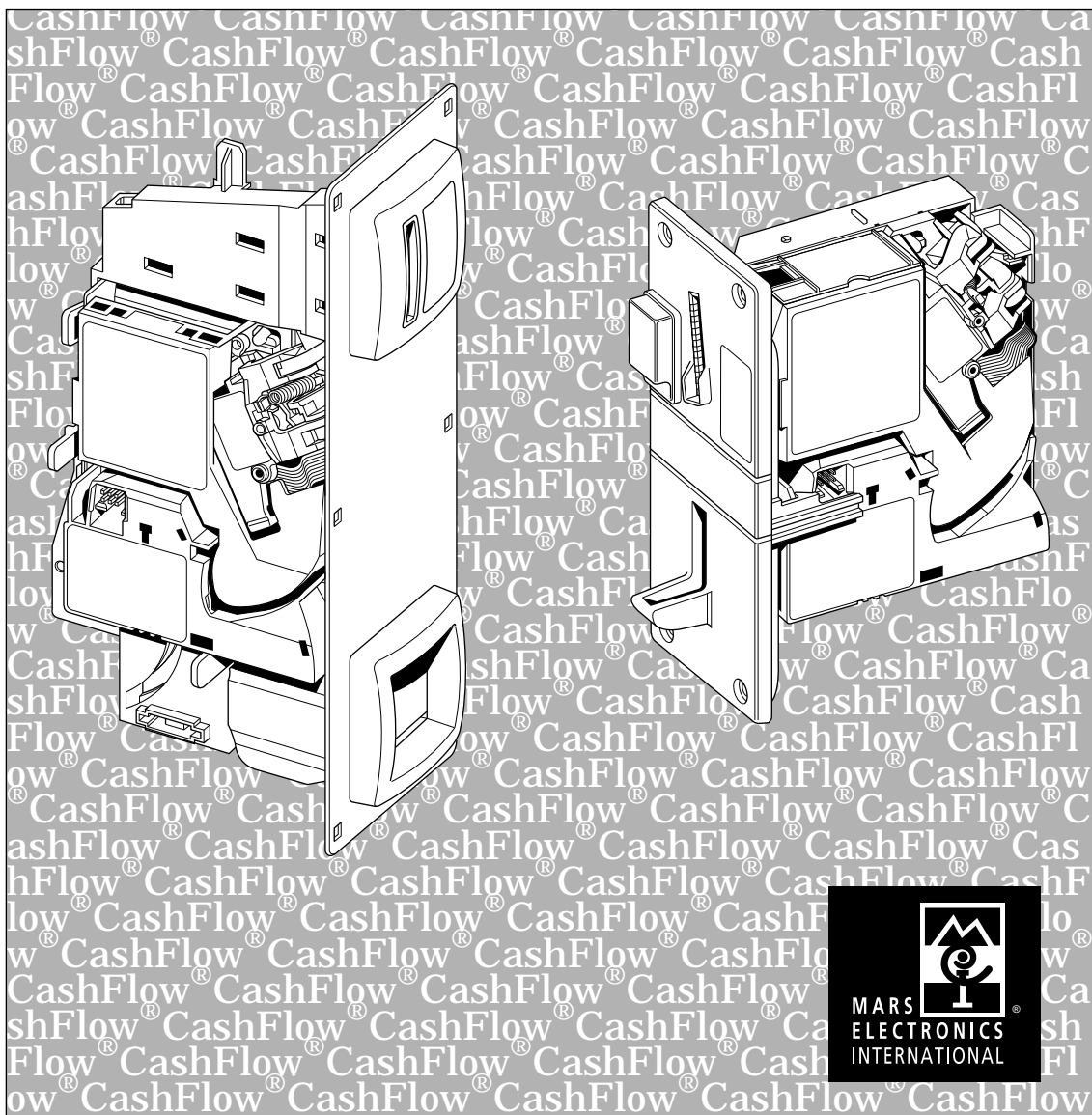


The
CASHFLOW[®]
REFERENCE SERIES
FRONT PLATE
APPLICATIONS GUIDE



CashFlow[®] Front Plate Applications Guide

Published by :

Mars Electronics International
Eskdale Road
Winnersh Triangle
Wokingham, Berkshire RG11 5AQ
United Kingdom

For information on translations in your country, please write to the Technical Communications Manager at the above address.

CashFlow[®] Front Plate Applications Guide ©, Mars, Inc., 1993.

All rights reserved.

Except as permitted under the relevant local legislation, no part of this publication may be copied, transmitted, transcribed, or distributed in any form or by any means, or stored in a database or retrieval system, or translated into any language (natural or computer), without the prior written permission of Mars Electronics International.

Mars[®], CashFlow[®] and the Mars Electronics International device are registered trademarks.
©, Mars, Inc., 1993.

Mars Electronics reserves the right to change the product or the product specifications at any time. While every effort has been made to ensure that the information in this publication is accurate, Mars Electronics disclaims any liability for any direct or indirect losses (howsoever caused) arising out of use or reliance on this information.

This document does not necessarily imply product availability.

Part Number : **143512044**

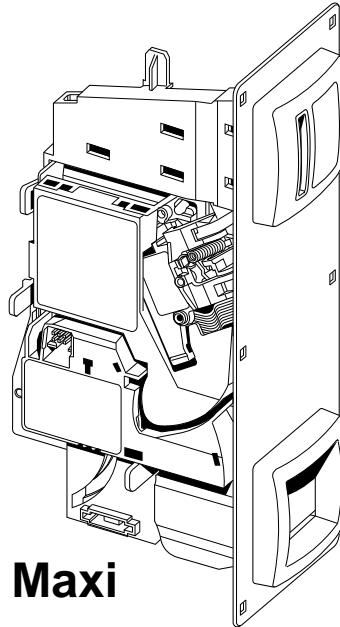
This Edition (September 1993)

TABLE OF CONTENTS

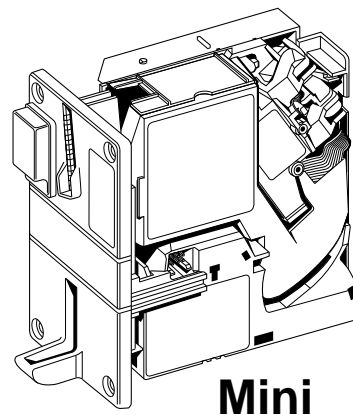
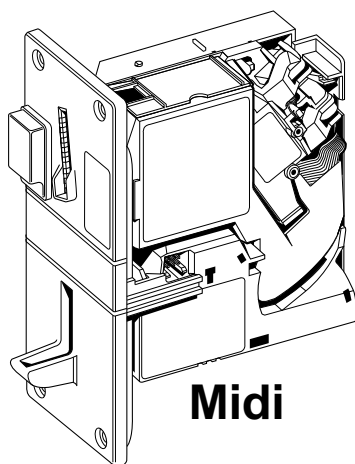
INTRODUCTION	4
MAXI FRONT PLATES	5
FEATURES OF THE MAXI FRONT PLATE	6
MAXI FRONT PLATE DIMENSIONS	7
MAXI FRONT PLATE CUT-OUT DETAILS	9
DIS-ASSEMBLED MAXI FRONT PLATE	10
REMOVAL OF PRODUCT FROM MAXI FRONT PLATE ..	11
PART NUMBERS	12
MINI AND MIDI FRONT PLATES	13
FEATURES OF MINI AND MIDI FRONT PLATES	14
MINI FRONT PLATE DIMENSIONS	15
MINI FRONT PLATE DIMENSIONS (cont.)	16
MINI FRONT PLATE CUT-OUT DETAILS	17
MIDI FRONT PLATE DIMENSIONS	18
MIDI FRONT PLATE DIMENSIONS (cont.)	19
MIDI FRONT PLATE CUT-OUT DETAILS	20
REMOVAL OF PRODUCT FROM MINI AND MIDI FRONT PLATES	21
PART NUMBERS	22

INTRODUCTION

There are three front plates available as accessories of the CashFlow® product family. These are the Maxi, Midi and Mini front plates.



Maxi front plates are designed to offer the maximum possible security in applications where fraud and abuse is likely to occur. A remotely controlled coin entry makes fraudulent access difficult and a convoluted coin entry path also ensures that manipulative devices are virtually impossible to use.



The Midi and Mini front plates are particularly appropriate in locations where space is at a premium.

While they do not offer the security advantages of the Maxi front plate the Midi and Mini front plates are suitable for those applications which are in a supervised and secure location.

MAXI FRONT PLATES

Maxi front plates are designed to offer the maximum possible security in applications where fraud and abuse is likely to occur.

A variety of mounting options, one of which incorporates an external metal plate, allows for it to be used with metal, glass or 18mm chip-board facias.

Used in conjunction with CashFlow® products Maxi front plates offer the following features:

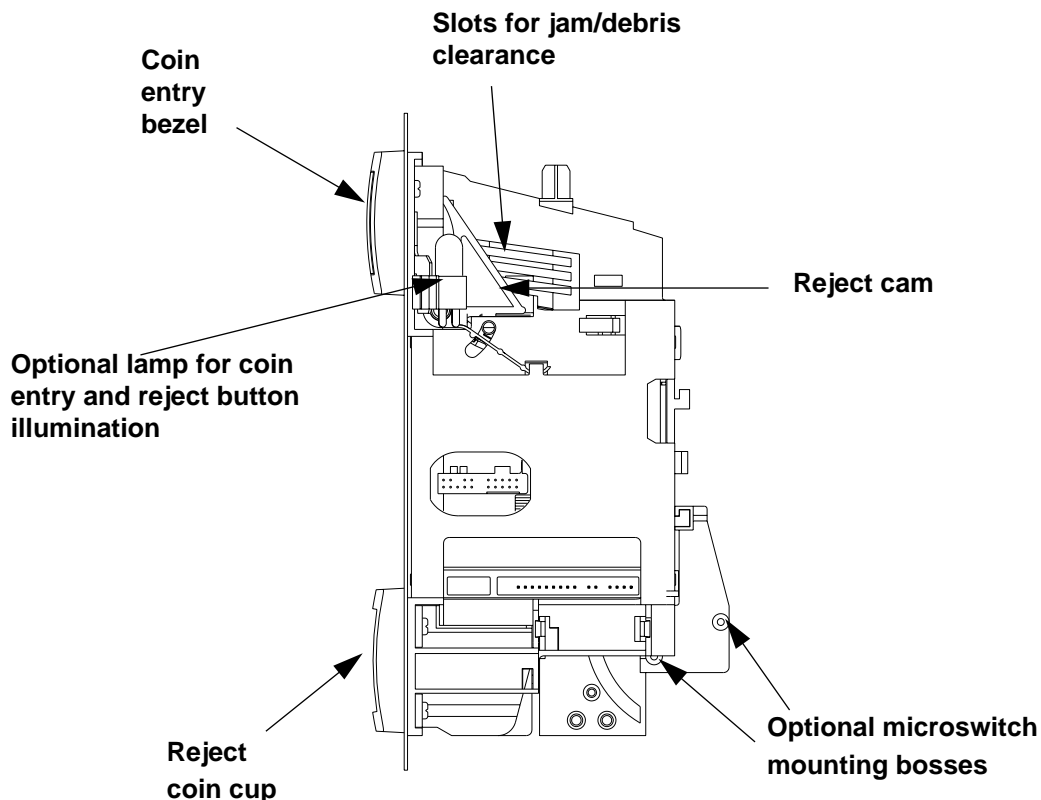
- Remotely located coin entry makes fraudulent access difficult
- Convoluted coin entry path also ensures that manipulative devices are virtually impossible to use
- High levels of slug protection on an internationally programmable 4" acceptor.
- Compact and secure design.
- Fluid drains to divert fluids introduced through the coin entry.
- Coin return cup flap eliminates access to lower part of the acceptor.
- Sturdy plastic material which is flame retardant and chemical resistant.
- Firm acceptor mounting offering resistance to hammer or kicking attack.
- Front or rear mounting using industry standard dimensions.
- Small entry bezel and coin return cup cut-outs make fraudulent cashbox access virtually impossible.

CashFlow[®] Front Plate Applications Guide

- Illuminated entry bezel, with customer supplied translucent label pocket.
- Installation kits available for metal, glass or 18mm chipboard mounting.
- Adjustable reject button tip to allow for facia variations
- Compatible with industry standard 4" acceptor and includes facility for coin exit microswitch.
- Optional optical strobe to detect coin exit.
- Simple mounting procedure ensuring fast and easy access for cleaning and service.

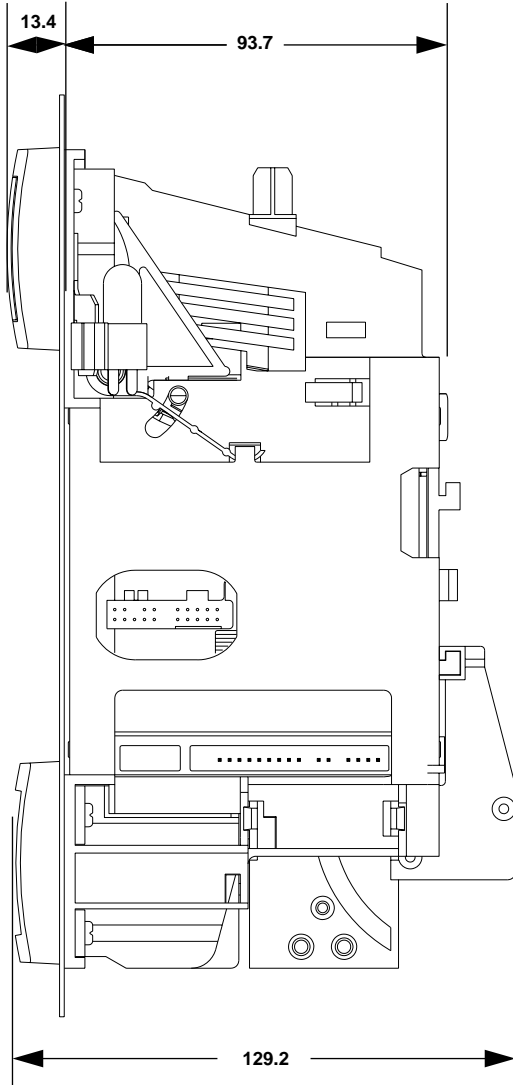
Maxi front plates and chipboard mounting kits are all supplied in quantities of 10.

FEATURES OF THE MAXI FRONT PLATE

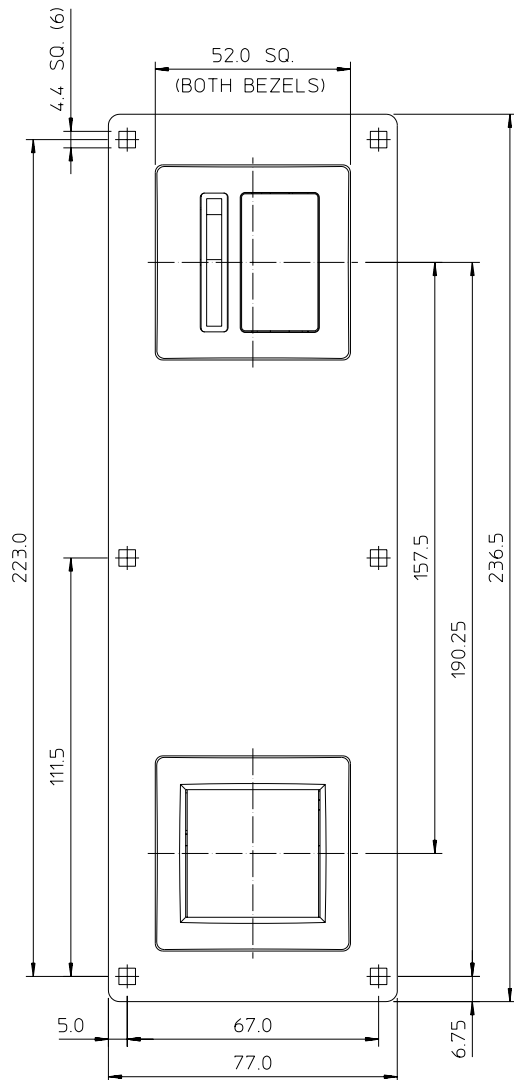


MAXI FRONT PLATE DIMENSIONS

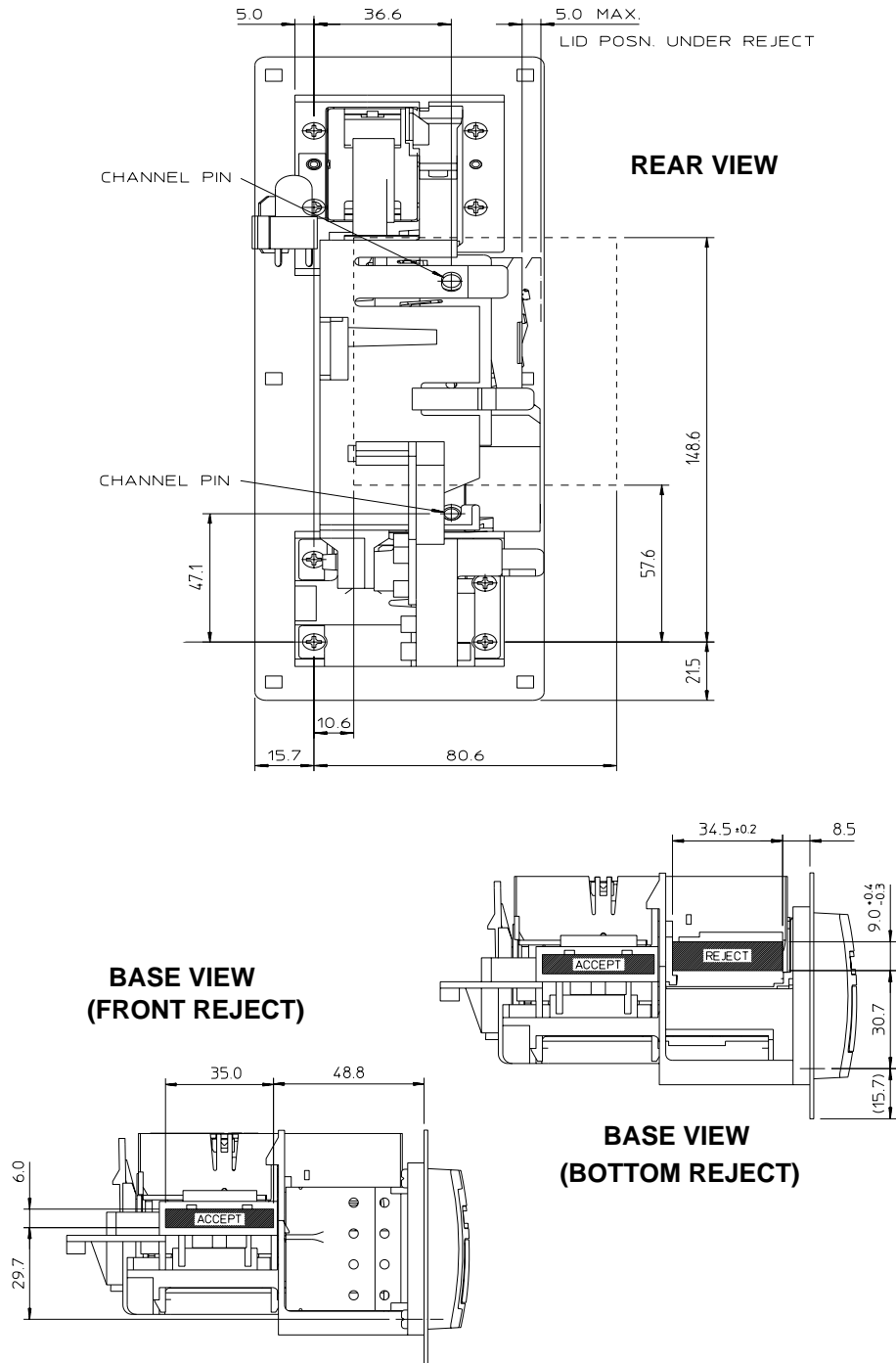
SIDE VIEW



Lamp type: 10mm with wedge base.
 Lamp holder: Ariel RA 3358, Pressac
 21/2666 or equivalent

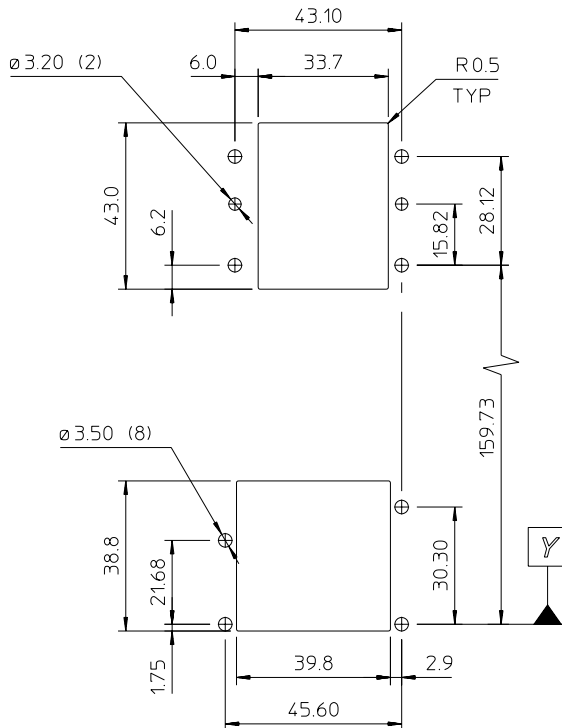


MAXI FRONT PLATE DIMENSIONS (cont.)

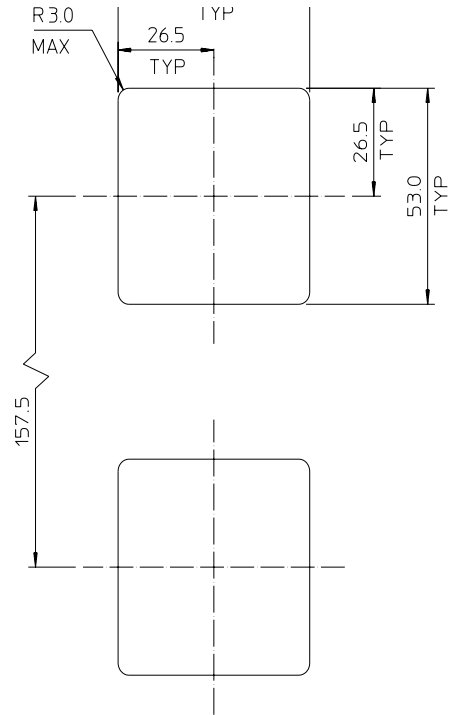


MAXI FRONT PLATE CUT-OUT DETAILS

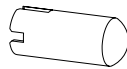
STANDARD FRONT MOUNTING



REAR MOUNTING



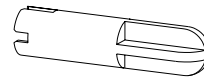
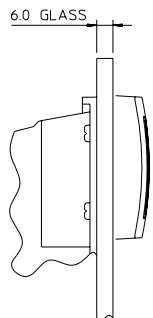
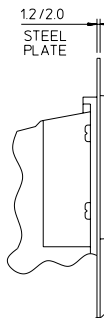
FACIA OPTIONS DETAIL



Standard Tip

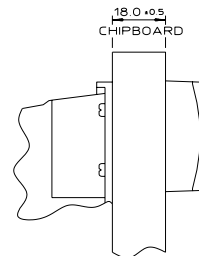
RECOMMENDED SCREWS
ø3 x 12 LONG PT TYPE

RECOMMENDED SCREWS
ø3 x 16 LONG PT TYPE



Extended Tip

RECOMMENDED SCREWS
ø3 x 30 LONG PT TYPE



OPTIONAL CHIP BOARD
MTG. KIT REQUIRED.
BOTTOM REJECT ONLY.

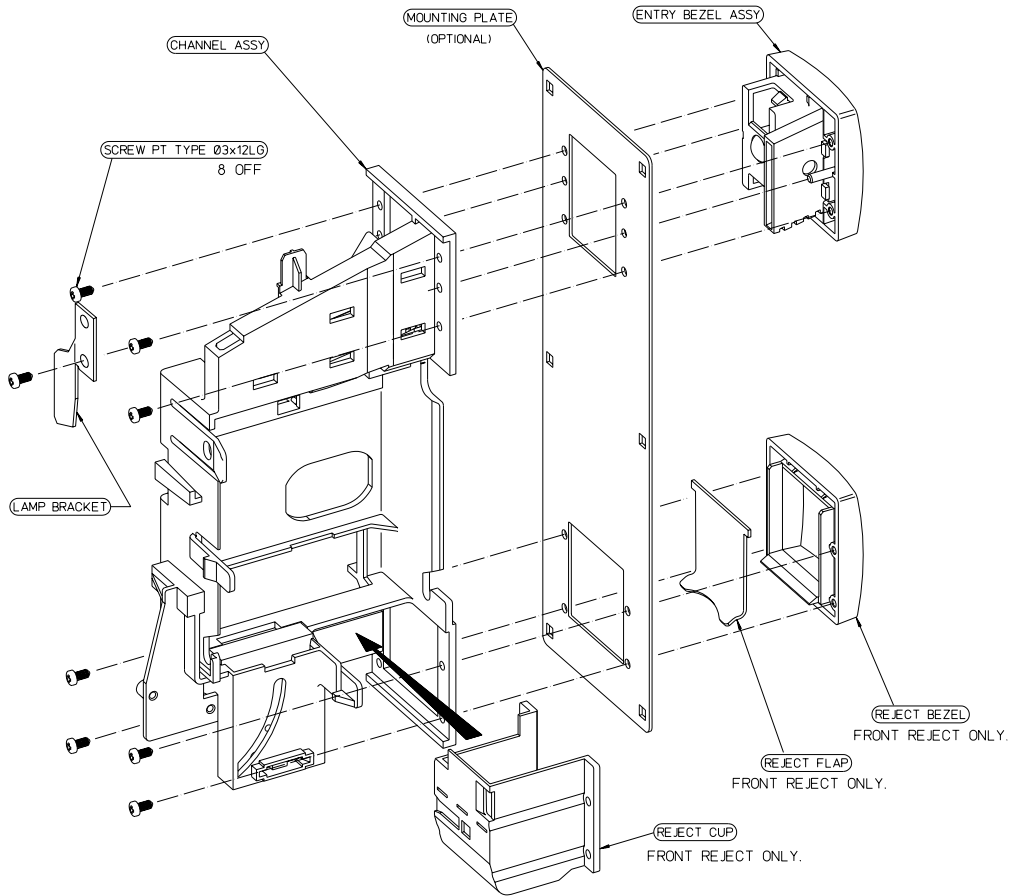
In order to vary the depth of the reject button stroke action two versions of the reject button tip are available.

Both tips have two length options that can be achieved by rotating the tip and engaging either the short or long slots.

The standard length tip comes as part of the Maxi front plate and the extended version, for use with greater machine panel thicknesses, is included in the optional chipboard mounting kit.

N.B. The stroke of the reject cam is constant, but the reach of button is increased/decreased depending on panel thickness.

DIS-ASSEMBLED MAXI FRONT PLATE



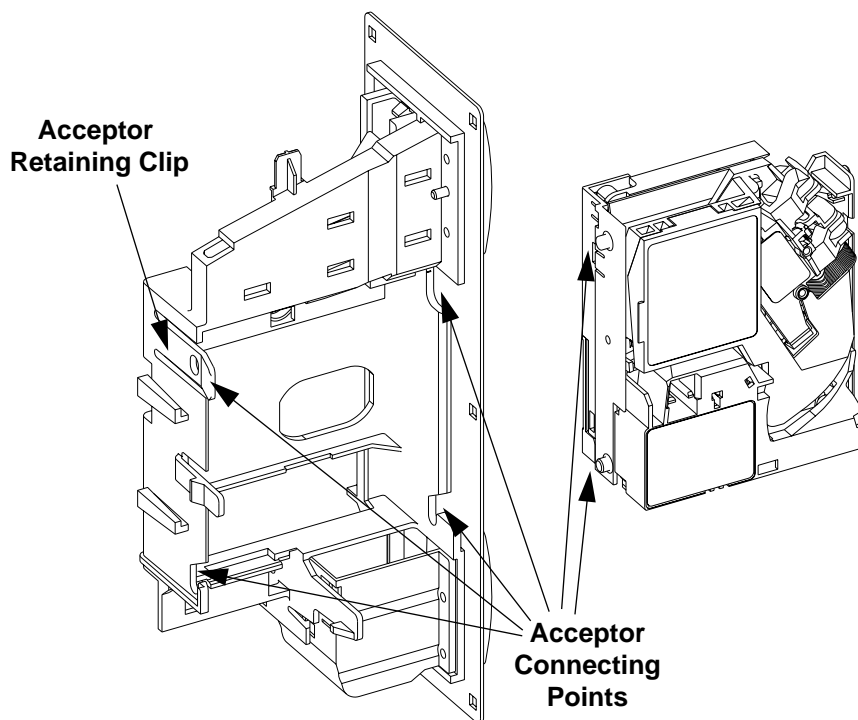
The Maxi front plate can be dis-assembled in order to utilise the various mounting options.

Where the mounting plate is not required, in a bottom reject application for instance, this can be removed, as can the reject flap and the reject cup.

According to the application the reject button tip can be adjusted in order to shorten or lengthen the stroke of the reject button.

REMOVAL OF PRODUCT FROM MAXI FRONT PLATE

1. REMOVE ANY LOOMS FROM THE ACCEPTOR MODULE.
2. RELEASE RETAINING CLIP AT UPPER LEFT HAND SIDE OF THE FRONT PLATE.
3. PIVOT ACCEPTOR FORWARD AND LIFT TO DISENGAGE IT



PART NUMBERS

Note: All parts are supplied in quantities of 10.

PRODUCT	DESCRIPTION	PART NUMBER
Maxi Front Plate Front Reject	No Steel Mounting Plate	167023001
	With Steel Mounting Plate	167010001
Maxi Front Plate Bottom Reject	No Steel Mounting Plate	167049001
	With Steel Mounting Plate	167036001
Chipboard Mounting Kit	(Includes 4 long screws, 4 chipboard screws and reject button extension)	Please contact your MEI representative

MINI AND MIDI FRONT PLATES

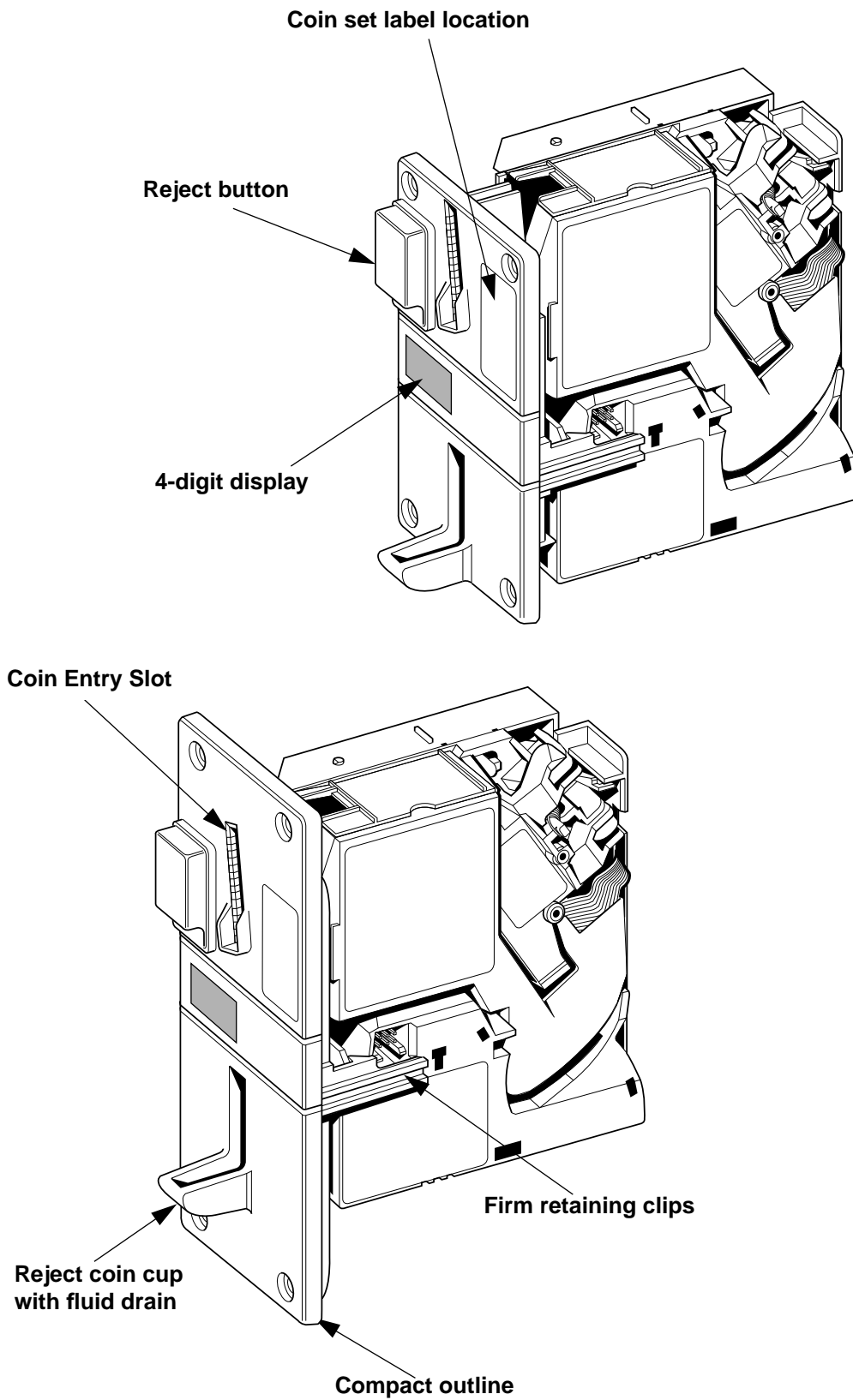
These front plates are particularly appropriate in locations where space is at a premium. While they will not offer the security advantages of the Maxi front plate they are suitable for many applications.

Acceptable applications include table top vending and amusement machines in locations which are normally supervised and secure. Further applications advice regarding their use can be obtained from Mars Electronics International (MEI) and should at all times be followed. Used in conjunction with CashFlow® products Mini and Midi front plates offer the following features:

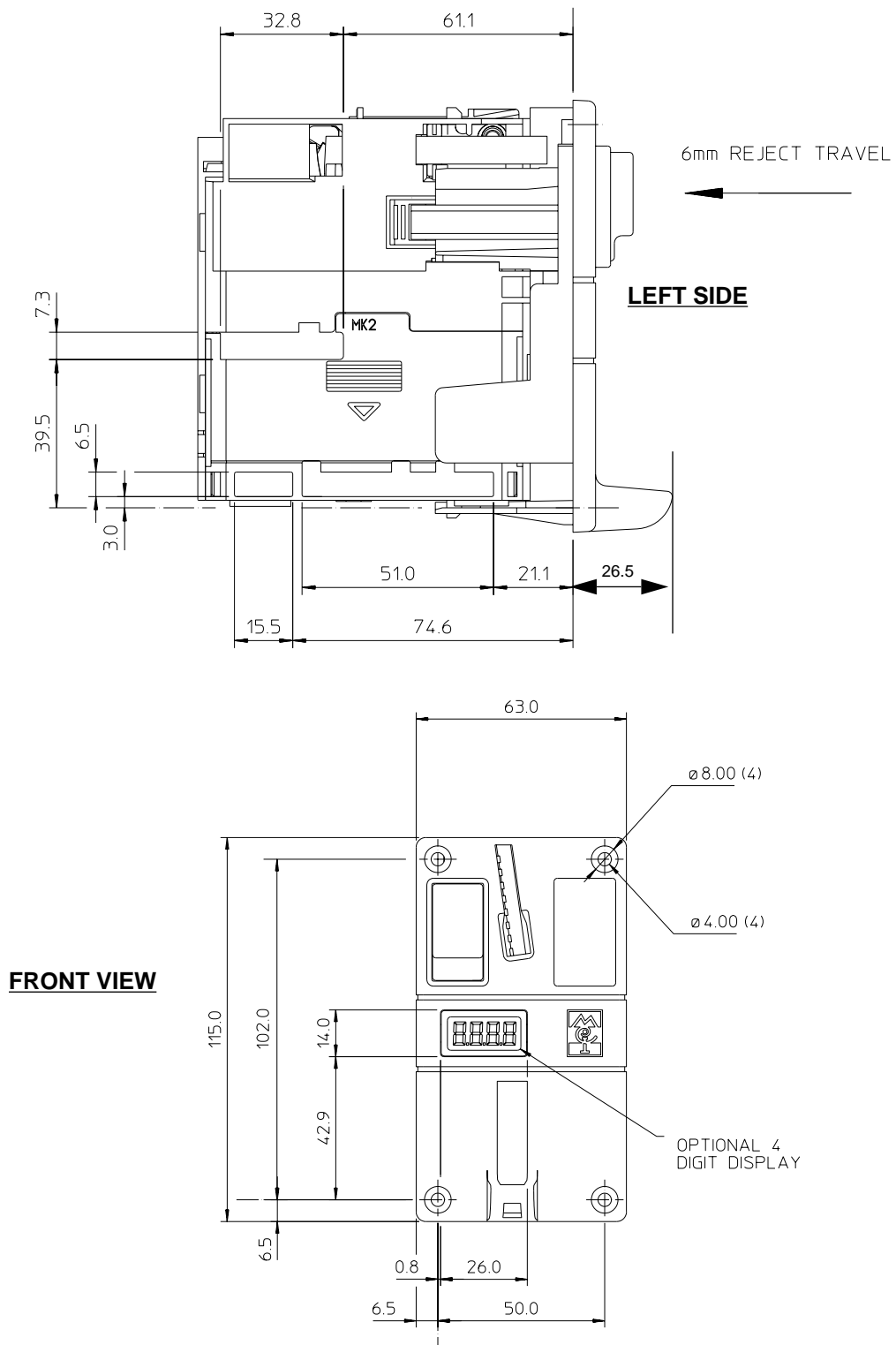
- High levels of slug protection on an internationally programmable 4" acceptor.
- Minimum space envelope utilising a compact design.
- Integral mounting for an optional backlit LCD display for use with CashFlow® 340 Creditor, CashFlow® 350 totaliser or Cashflow® 360 Timer.
- Sturdy plastic material which is flame retardant and chemical resistant.
- Firm acceptor mounting offering resistance to hammer or kicking attack.
- Front or rear mounting using industry standard dimensions.
- Simple mounting procedure ensuring fast and easy access for cleaning and service.

Mini and Midi front plates are supplied in quantities of 10.

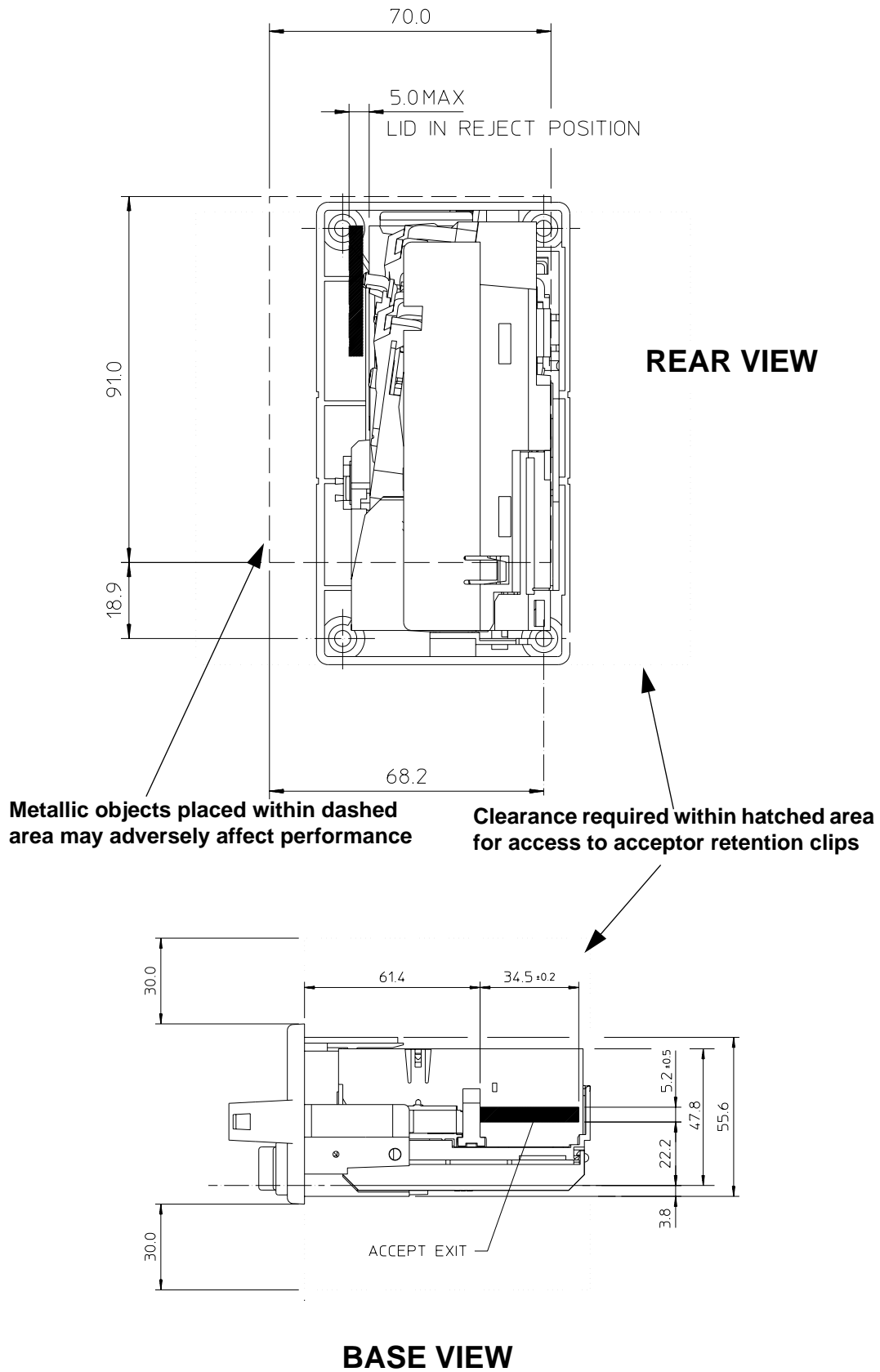
FEATURES OF MINI AND MIDI FRONT PLATES



MINI FRONT PLATE DIMENSIONS

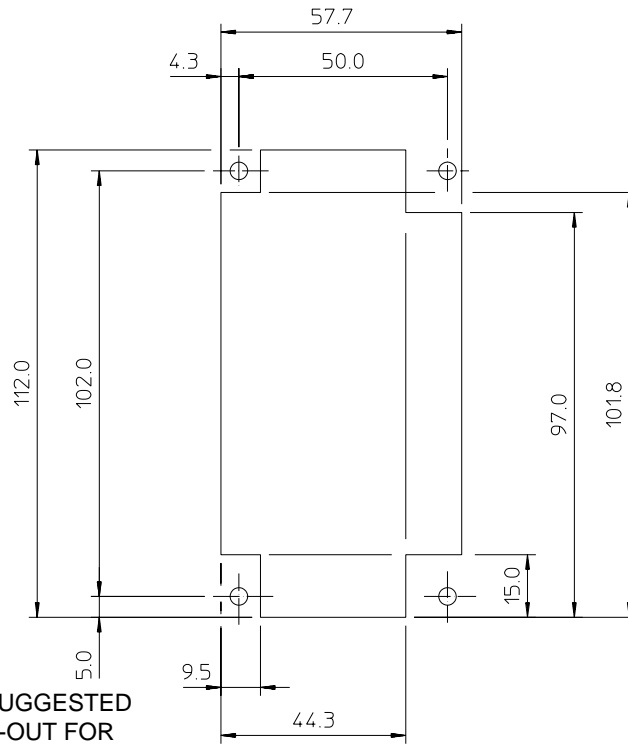


MINI FRONT PLATE DIMENSIONS (cont.)

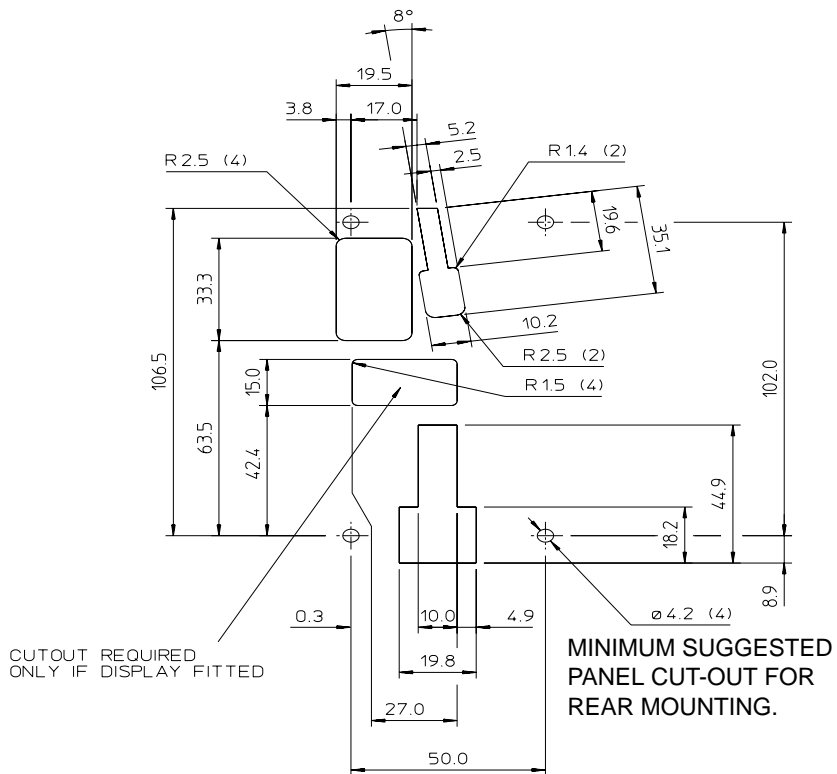


MINI FRONT PLATE CUT-OUT DETAILS

VIEWED FROM FRONT



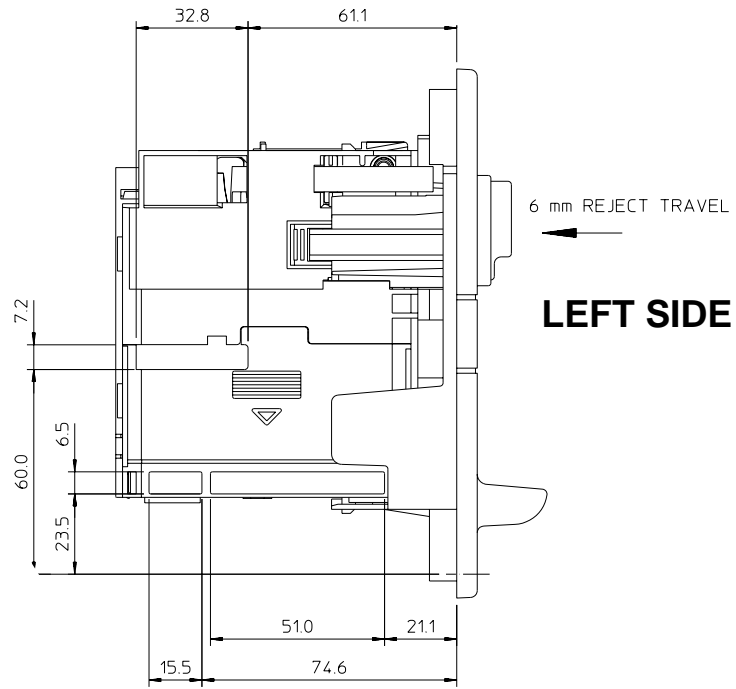
MINIMUM SUGGESTED
PANEL CUT-OUT FOR
FRONT MOUNTING.
MAXIMUM ALLOWABLE
PANEL THICKNESS 6.5mm



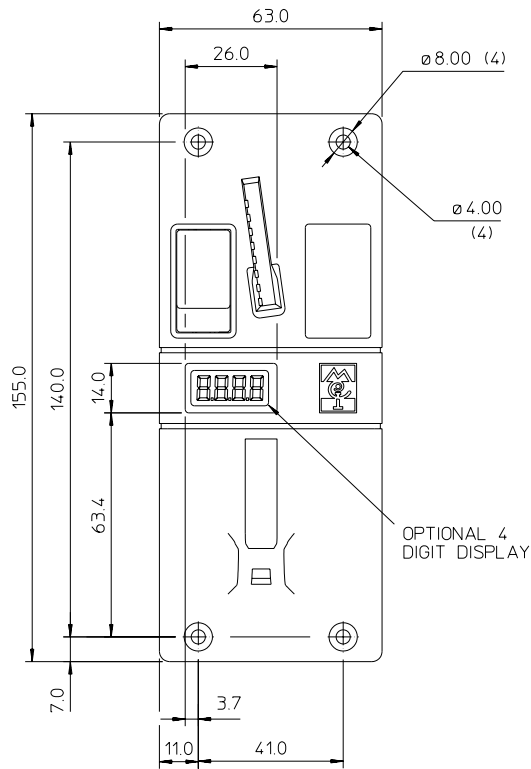
CUTOUT REQUIRED
ONLY IF DISPLAY FITTED

MINIMUM SUGGESTED
PANEL CUT-OUT FOR
REAR MOUNTING.

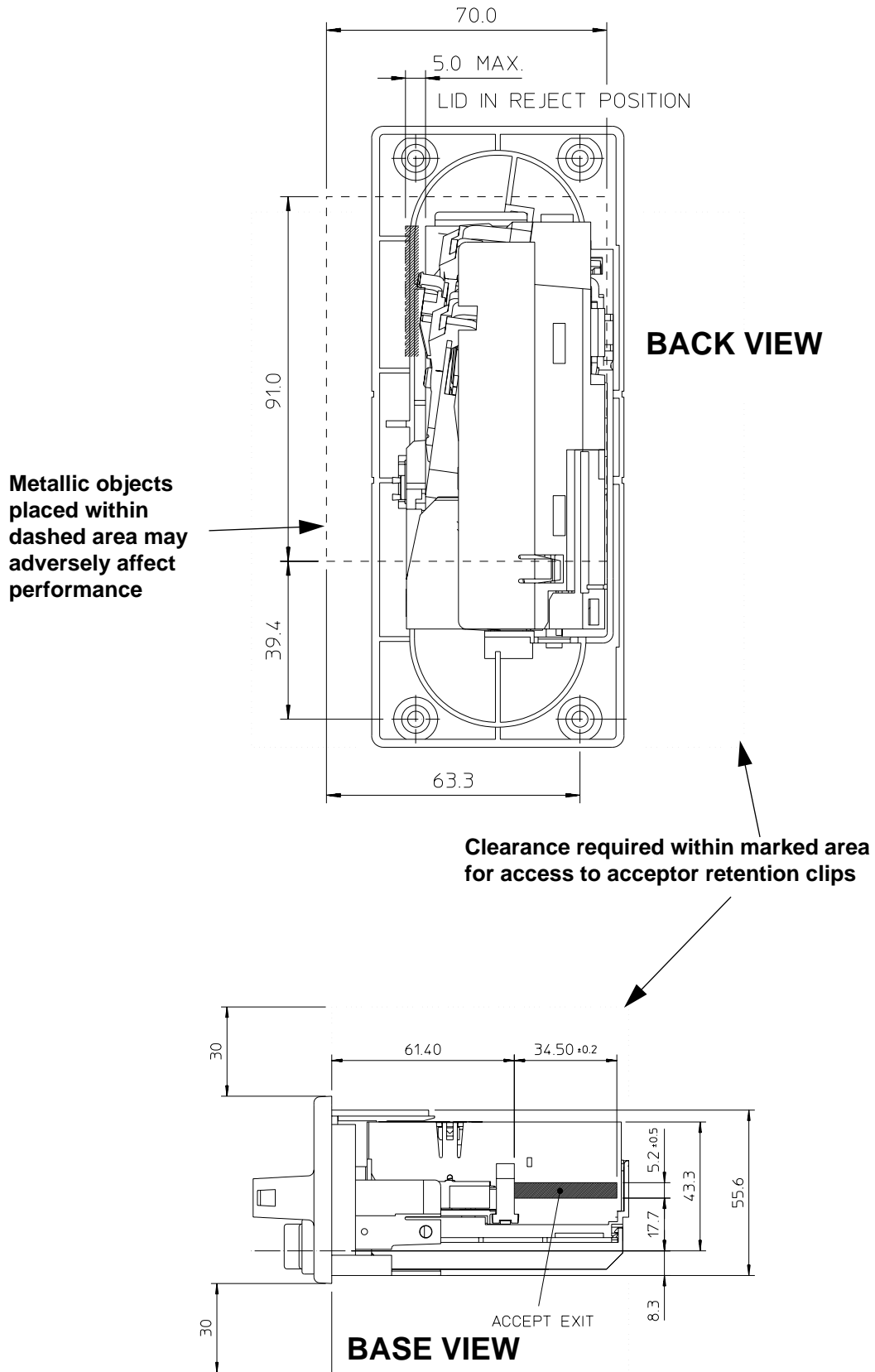
MIDI FRONT PLATE DIMENSIONS



FRONT VIEW

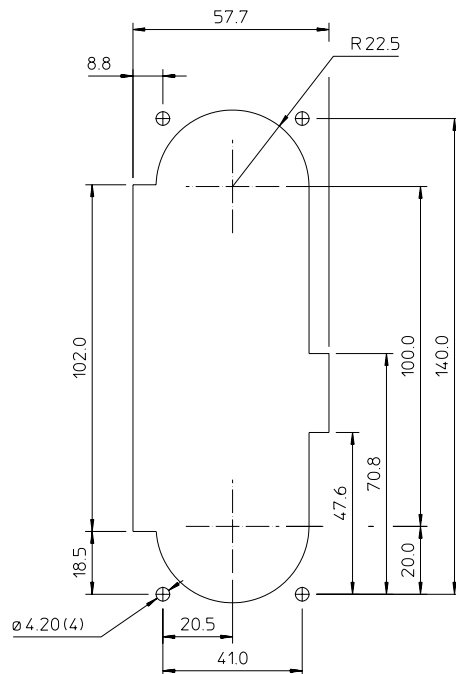
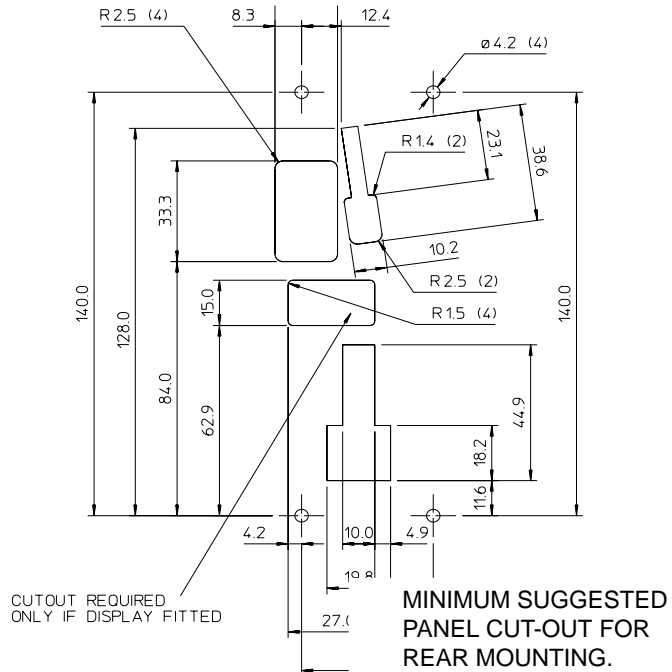


MIDI FRONT PLATE DIMENSIONS (cont.)



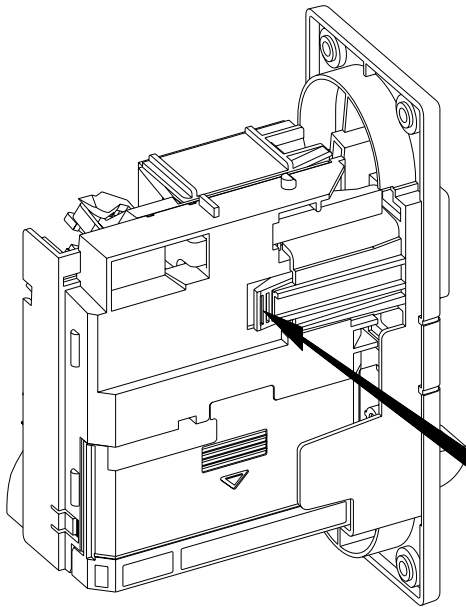
MIDI FRONT PLATE CUT-OUT DETAILS

VIEWED FROM FRONT



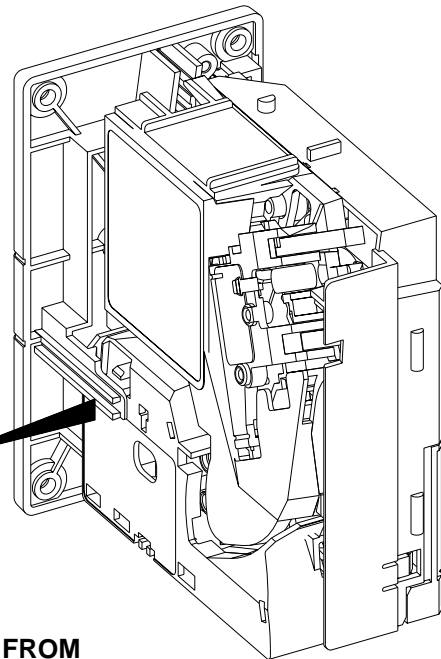
**REMOVAL OF PRODUCT FROM MINI
AND MIDI FRONT PLATES**

**NOTE: The same process
is used with both types
of front plate**



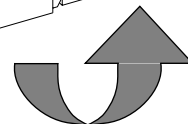
1. DISCONNECT ANY LOOMS

2. PRESS BACK COVER CLIP



3. DISENGAGE FRONT PLATE CLIP

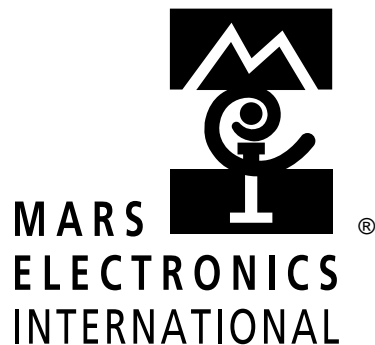
**4. TILT THE BOTTOM CORNER DOWN FROM
THE FRONT PLATE AND LIFT CLEAR**



PART NUMBERS

Note: All parts are supplied in quantities of 10.

PRODUCT	DESCRIPTION	PART NUMBER
Mini Front Plate	No Display	161043001
	With 4-digit backlit LCD Display	161041002
Midi Front Plate	No Display	161030001
	With 4-digit backlit LCD Display	161038002



REPRESENTATIVE:

THE INTELLIGENT TRANSACTION™

UNITED STATES

1301 Wilson Drive
West Chester
Pa 19380
Telephone: 610- 4302500
Facsimile: 610- 4302694

GREAT BRITAIN

Eskdale Road
Winnersh Triangle
Wokingham
Berkshire, RG41 5AQ
Telephone: 01734- 697700
Facsimile: 01734- 446412

SWITZERLAND

Ch. Pont-du-Centenaire 109
Plan-les-Ouates
P.O. Box 2650
1211 Geneva 2
Telephone: 22- 8840505
Facsimile: 22- 8840504

FRANCE

Boulevard Des Chenats
BP 7
45550 St. Denis de L'hotel
Telephone: 38 - 59 - 6534
Facsimile: 38 - 59 - 6172

GERMANY

Industriering 17 A
41751 Viersen
Telephone: 02162- 9560
Facsimile: 02162- 41544

ITALY

27011 Belgioioso (Pv)
Viale Dante, 40
Telephone: 0382- 979313
Facsimile: 0382- 970790

SPAIN

M.^a De Molina, 40-3^a
28006 Madrid
Telephone: 91- 3379182
Facsimile: 91- 5635517

AUSTRALIA

302 Parramatta Road
Auburn
New South Wales, 2144
Telephone: 02- 737- 5390
Facsimile: 02- 737- 5399

JAPAN

Mars Electronics International
3f Masushi-kosugi Tower Place
403 Kosugimachi 1-chome
Nakahara-ku
Kawasaki-shi
Kanagawa-ken 211
Telephone: 44 - 712 - 1315
Facsimile: 44 - 712 - 1439

CANADA

Mars Electronics International
37, Holland Drive
Bolton
Ontario, L7E 5S4
Telephone: 416 239 2782
Facsimile: 416 239 3322