

WARNING

- Use of non-Midway parts or circuit modifications may cause serious injury or equipment damage!
- Federal copyright, trademark and patent laws protect this game. Unauthorized modifications may be illegal under Federal law. The modification ban also applies to Midway Amusement Games, LLC and game logos, designs, publications and assemblies. Moreover, facsimiles of Midway equipment (or any feature thereof) may be illegal under federal law, regardless of whether or not such facsimiles are manufactured with Midway components.

WARNING. Prevent shock hazard and assure proper game operation. Plug this game into a properly grounded outlet. Do not use a cheater plug to defeat the power cord's grounding pin. Do not cut off the ground pin.

CAUTION. A very small portion of the population has a condition which may cause epileptic seizures or momentary loss of consciousness when viewing certain kinds of flashing lights or patterns that are present in our daily environment. These persons may experience seizures while watching some kinds of television pictures or playing certain video games. People who have not had any previous seizures may nonetheless have an undetected epileptic condition.

If you or anyone in your family has experienced symptoms linked to an epileptic condition (e.g. seizures or loss of awareness), immediately consult your physician before using any video games.

We recommend that parents observe their children while they play video games. If you or your child experience the following symptoms: dizziness, altered vision, eye or muscle twitching, involuntary movements, loss of awareness, disorientation, or convulsions, DISCONTINUE USE IMMEDIATELY and consult your physician.

CAUTION. Information in this manual is subject to change without notice. Midway reserves the right to make improvements in equipment function, design, or components as progress in engineering or manufacturing methods warrants.

COPYRIGHT & TRADEMARK NOTICE. You may not reproduce any part of this publication by mechanical, photographic, or electronic means. You may not produce phonograph recordings of this document. You may not transmit this publication or otherwise copy it for public or private use, without permission from the publisher.

For Service: Call your Authorized Midway Amusement Games, LLC Distributor.

©1996-2000 Midway Amusement Games, LLC., MIDWAY, and TOUCHMASTER are registered trademarks of Midway Amusement Games, LLC. All rights reserved.

midway amusement games, llc

3401 california avenue chicago, illinois 60618-5899

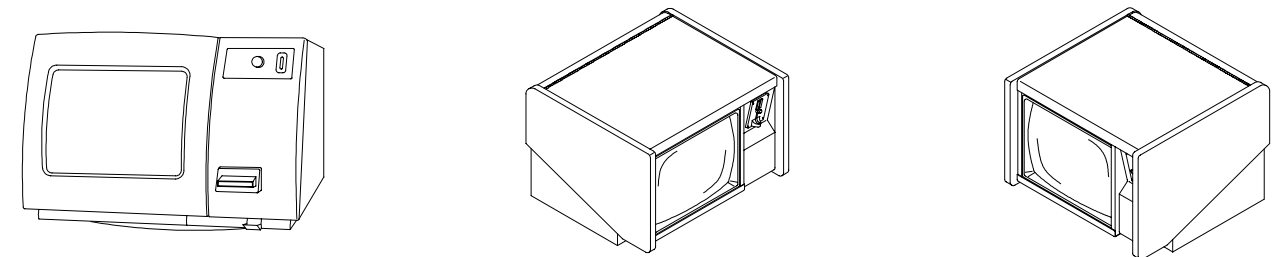
<http://www.midway.com>



MARCH 2000
16-60094-101







UPDATE FROM 2000-7000 VERSIONS TO 8000 IN DEDICATED OR CONVERTED CABINETS



The manufacturer intends that this game is to be operated for amusement purposes only and not in contravention of any federal, state or local law or regulation of the United States or any foreign country governing gaming devices. All operators of this game are responsible for its operation in accordance with such laws and regulations. The manufacturer's factory settings for this game may require adjustment in order to comply with laws applicable in an operator's specific jurisdiction. It is the operator's responsibility to determine whether adjustments are necessary and, if they are, to make the appropriate adjustments prior to operating the amusement game.

midway amusement games, llc
3401 north california avenue chicago, illinois 60618-5899
<http://www.midway.com>

Safety Manual

	NOTICE. Before updating software, ensure your video game machine functions well. This update will not fix problems with any hardware. Repair or replace faulty components before proceeding. Also record any custom variables, as this update will reset them to factory default settings.
	CAUTION: GROUND GAME. To avoid electrical shock, do not plug in line cord until cabinet has been inspected and properly grounded. Line cords should only be plugged into grounded 3-wire outlets. Do not use different line cords or install a “cheater” plug
	CAUTION: DISCONNECT POWER DURING UPGRADE. To avoid electrical shock, turn off AC power switch and disconnect line cord from AC power source before removing or repairing any component. After servicing, ensure all ground wires are secure before restoring power.
	CAUTION: GROUND SELF. Before touching sensitive electronic components, touch ground lug on power supply to dissipate any static electricity.

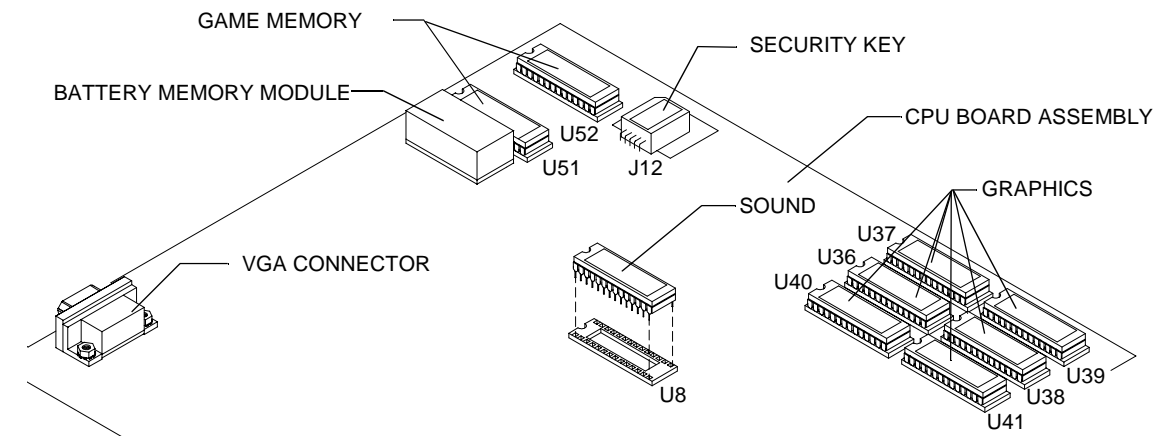
Installation Instructions

- Unpack carton and identify parts. Kit contains nine (9) EPROMs (A-23789-X) and one security key board, as well as updated artwork and plastic artwork retainer with magnet. Remove ICs from anti-static box and place on anti-static surface. If necessary, stack books and newspapers on top of artwork to flatten for later use.

Part Number	Part Name	Part Number	Part Name
A-5343-60194-3	U8 EPROM	A-5343-60194-8	U40 EPROM
A-5343-60194-6	U36 EPROM	A-5343-60194-9	U41 EPROM
A-5343-60194-4	U37 EPROM	A-5343-60194-2	U51 EPROM
A-5343-60194-7	U38 EPROM	A-5343-60194-1	U52 EPROM
A-5343-60194-5	U39 EPROM	A-21657-007	Security Key
31-3627	Countertop Marquee	04-12821-1	Marquee Bracket
31-3628	Upright Converted Game Marquee	31-3629	Upright Game Styrene Marquee

- Enter Menu System according to original manual instructions and record any custom variables and settings. You will lose these when you upgrade software.
- Turn off AC power and unplug line cord.
- Unlock and open doors or covers to access electronics assemblies.
- Ground yourself by touching chain lug or other metal on power supply before proceeding.
- If needed, disconnect cables, unscrew fasteners, and pull CPU Board Assembly out for easier access.

- Observe illustration below and carefully remove EPROMs to be replaced. Use a chip extraction tool and a slight rocking motion to avoid bending pins. Place devices on a metal surface. If there is already a security key at J12, remove it.



CPU BOARD ASSEMBLY AND IC LOCATIONS

- Orient each EPROM over its empty socket. EPROMs are labeled for easy identification. Align notch in EPROM with notch in socket and press down firmly to fully seat. Notches generally face the edge of the board with the VGA connector. Take care not to bend leads during insertion. Insert each EPROM in this manner.
- Orient new security key over J12 location and insert carefully.
- Reinstall CPU Board Assembly, fasteners, cables, etc.
- Turn on AC power. The game begins self-diagnostics. If no errors are found, Attract Mode begins.
- Calibrate Touchscreen according to original manual.
- Allow system to operate several hours before attempting volume changes, monitor adjustments, etc.
- Press TEST pushbutton to access Menu System. Reset game variables as desired and verify machine operation according to original manual.
- Reinstall doors or covers, as is the case.
- ARTWORK: Remove marquee according to original manual. Remove marquee holder from top of countertop models and set aside for reuse.
- Insert new marquee according to original manual.
 - Use styrene marquee (31-3629) for upright Midway Touchmaster cabinets.
 - Use paper marquee (31-3627) and, if needed, plastic bracket (04-12821-1) for all countertop models.
 - Use paper marquee (31-3628) for converted upright cabinets.