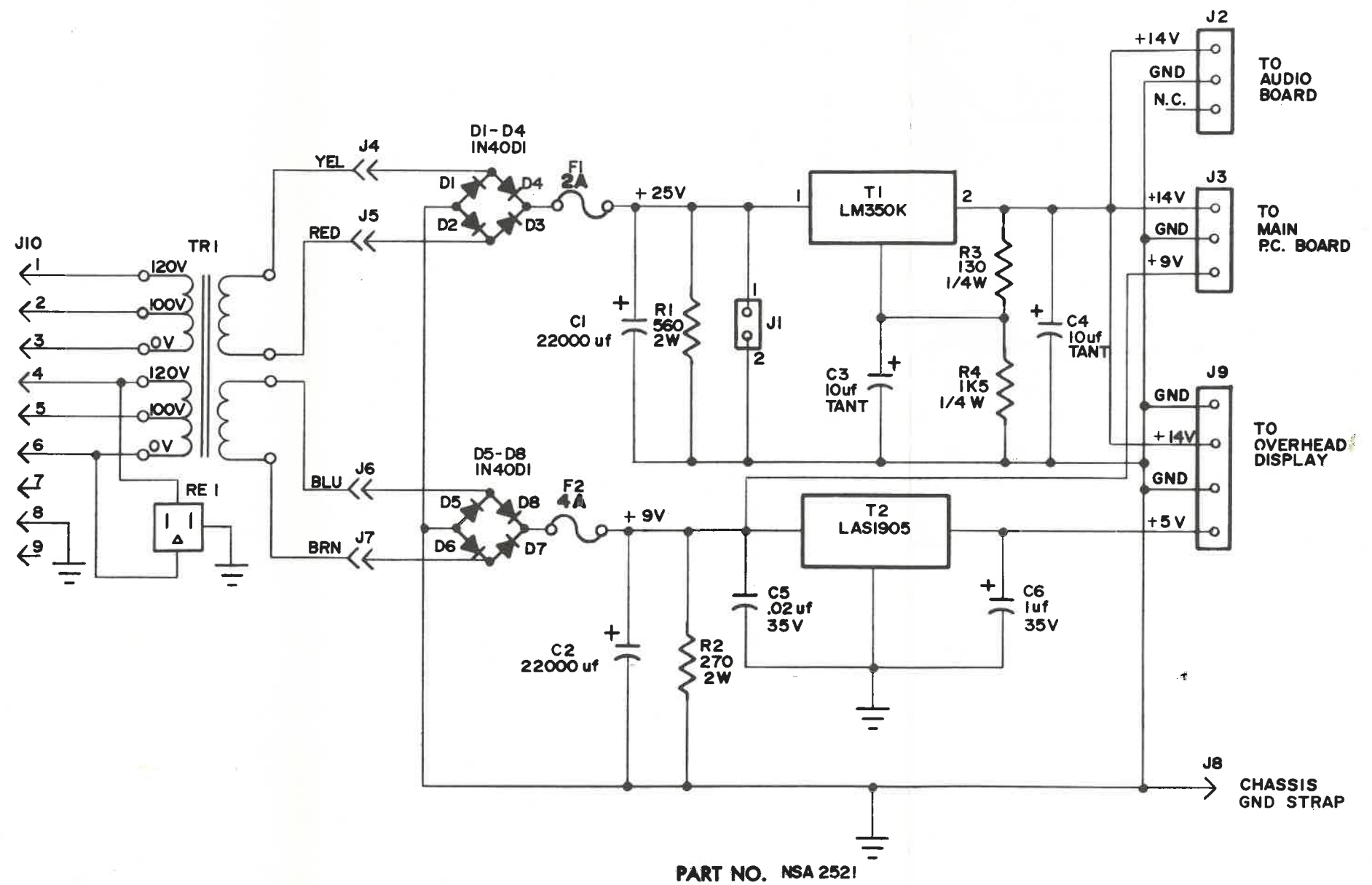


NOTES:

1. THIS ASSEMBLY SUPERCEDES ASSEMBLIES:
NSA 2503
NSA 2513
NSA 2514



**PUB TIME UNIVERSAL
POWER SUPPLY SCHEMATIC**