

Bally

GAME 1074

NIGHT RIDER



Bally

MANUFACTURING CORPORATION

2640 Belmont Avenue · Chicago, Illinois, 60618, U.S.A.

TELEPHONE (312) 267-6060/TELEX NO. 253076/CABLE ADDRESS: Balfan



Warranty

MOTORS in new Bally products are guaranteed against defective materials or poor workmanship for 6 months from date of purchase. Any defective motors returned during the warranty-period will be replaced, without cost, by your Bally Distributor.

Bally[®] **MANUFACTURING CORPORATION**
2640 BELMONT AVENUE, CHICAGO, ILLINOIS 60618

INSTALLATION AND GENERAL GAME OPERATION INSTRUCTIONS

INSTALLATION

On all games there are certain items that should be checked after shipment. These are visual inspections which may avoid time consuming service work later. Minor troubles caused by abusive handling in shipment are unavoidable. Cable plugs and sockets may be loosened, switches (especially tilt switches) may go out of adjustment. Plumb bob tilt switch should always be adjusted after game is set on location and leg levelers are adjusted.

Visual inspections before plugging in line cord:

1. Check that all cable plugs are firmly seated in proper sockets.
2. Check that cables are clear of all moving parts and relays.
3. Check for any wires that may have become disconnected.
4. Check switches for loose solder or other foreign material that may have come loose in shipment and could cause shorting of contacts.
5. Check wires on relay coils for proper soldering especially the bare (common) wire connecting a row of relay coils. Cold solder connections may not show up in factory inspection, but vibration in shipment may break contact.
6. Check that fuses are firmly seated and making good contact.
7. Check (manually) the stepping and resetting of all step-up units. The wiper action should not be sluggish.
8. Check the transformer for any foreign material shorting across wiring lugs.
9. Check wiring of transformer to correspond to location voltage. (Transformer wiring card in front cabinet).

4 PLAYER

Before line cord is plugged in:

Check all plugs and sockets and dress cables:

- (A) Plugs in correct sockets.
- (B) Plugs securely seated in sockets.
- (C) Dress cables away from relays.

Check adjustment of the three (normally open) tilt switches:

- (A) Panel tilt on bottom of playfield panel.
- (B) Plumb bob tilt on left side of cabinet near front door.
- (C) Ball tilt above plumb bob tilt. Insert the smaller ball (15/16" dia.) into the ball tilt assembly, and adjust the bracket so the ball will roll free to contact the switch blade, if front of cabinet is raised-

Plug in line cord:

Check adjustment of the (normally open) kick off switch at rear of cabinet mounting board near cable plugs. Check adjustment of the (normally open) anti-slam switch, on front door. Check adjustment of the (normally open) anti-slam switch on tilt board. If either of those switches is closed, the delay relay is energized momentarily.

GENERAL GAME OPERATION

Place ball into playfield by outhole.

Coin game.

If coin should be rejected move on-off master switch at bottom right front corner of cabinet to "ON" position, then coin game. Coin lock out device rejects all coins when power (master switch) is off. Also check the delay relay. If this relay is energized the game will not accept coins.

- 1A. If game is adjusted for 1 coin/1 play, the coin relay will become energized when a coin is deposited.
- 1B. With the coin relay energized by the 1st coin, it will reset the complete game.
- 1C. Inserting the 2nd coin the coin relay is again energized and steps-up the coin unit to set-up the game for two players.
- 1D. Inserting the 3rd and 4th coins the above procedure is repeated to set up the game for the 3rd and 4th players.
- 2A. If game is adjusted for 1 coin/2 plays the coin relay will become energized and steps-up the credit unit 2 steps for each coin deposited thru #3 and #5 cam switches.

4 PLAYER

- 2B. When the credit unit is advanced, the front door credit button switch (when actuated) will energize the credit relay which will then energize the coin relay.
- 2C. The coin relay will energize the reset relay thru a game over relay switch, operate the score motor and then thru normally open #2 and #11 score motor switches, energize the #1 and #2 score reset relays. The reset relay will operate the score motor. Both the reset and the score reset relays will be energized thru a normally closed #8 score motor switch, or until all score counter units are reset to zero position.
- 2D. The coin relay, thru a normally open #4 score motor switch will advance the total play meter, and thru the reset relay will reset the coin unit, ball count unit and the player up unit. The coin relay will also reset the credit unit, (1 step) when energized by the credit button. Thru a normally open #4 score motor switch, it will energize the game over relay latch coil.
- 3A. A ball on the outhole switch, at the start of game will energize the outhole relay thru a normally closed #1 score motor switch, and it will stay energized thru its own hold-in and a normally closed #8 score motor switch. For operations after the first ball, see under heading 'Sequence of operation'.
- 3B. When the outhole relay is energized, it will operate the score motor and then energize the outhole kicker solenoid thru a normally open #7 score motor switch. The ball will be kicked thru the ball trough to the shooter alley. The game is ready for the first player to play.
- 3C. To condition the game for 2nd player, inserting coin(s) or using the credit button before the 1st ball is played, will energize the coin relay again. This time, the coin relay will not energize the reset relay. It will operate the score motor, advance the total play meter, subtract a credit from credit unit, (if credit button was used) and advance the coin unit thru a normally open #4 score motor switch. The game is now set for 2 players; repeating this sequence will set game for 3rd player and 4th player.

SEQUENCE OF OPERATION

- 1A. When a ball is played, the ball index relay will be energized thru the 10 point, 100 point or 1,000 point score relay and it will stay energized thru its own hold-in switch and normally closed #6 score motor switch and a normally closed outhole relay switch.

1B. When the ball goes into the outhole:

- A) The bonus score relay is energized and operates the score motor to add the bonus score to the total score of the player. When the scoring is completed, this bonus score relay is deenergized and the outhole relay is energized. The outhole relay will remain energized thru its own lock-in switch until the normally closed #8 score motor cam switch opens.
- B) The outhole relay will advance the player up unit thru #4 score motor cam switch, if more than one player is playing and no extra ball has been scored.
- C) The outhole relay will advance the ball count unit thru #3 score motor cam switch after the last eligible player has played if no extra ball was earned, the extra ball must be played off before the ball count unit will advance. When the ball count unit has advanced, the player up unit will reset thru #4 score motor cam switch.
- D) The outhole relay when energized will operate the score motor and thru #6 score motor cam switch will advance the bonus unit from zero to 1000 position and thru #7 score motor cam switch it will energize the out-hole kicker solenoid which will eject the ball from the out-hole to the shooter alley. The outhole relay when energized will deenergize the ball index relay, the extra ball relay and the tilt relay.

#1074 NIGHT RIDER

RUBBER PARTS

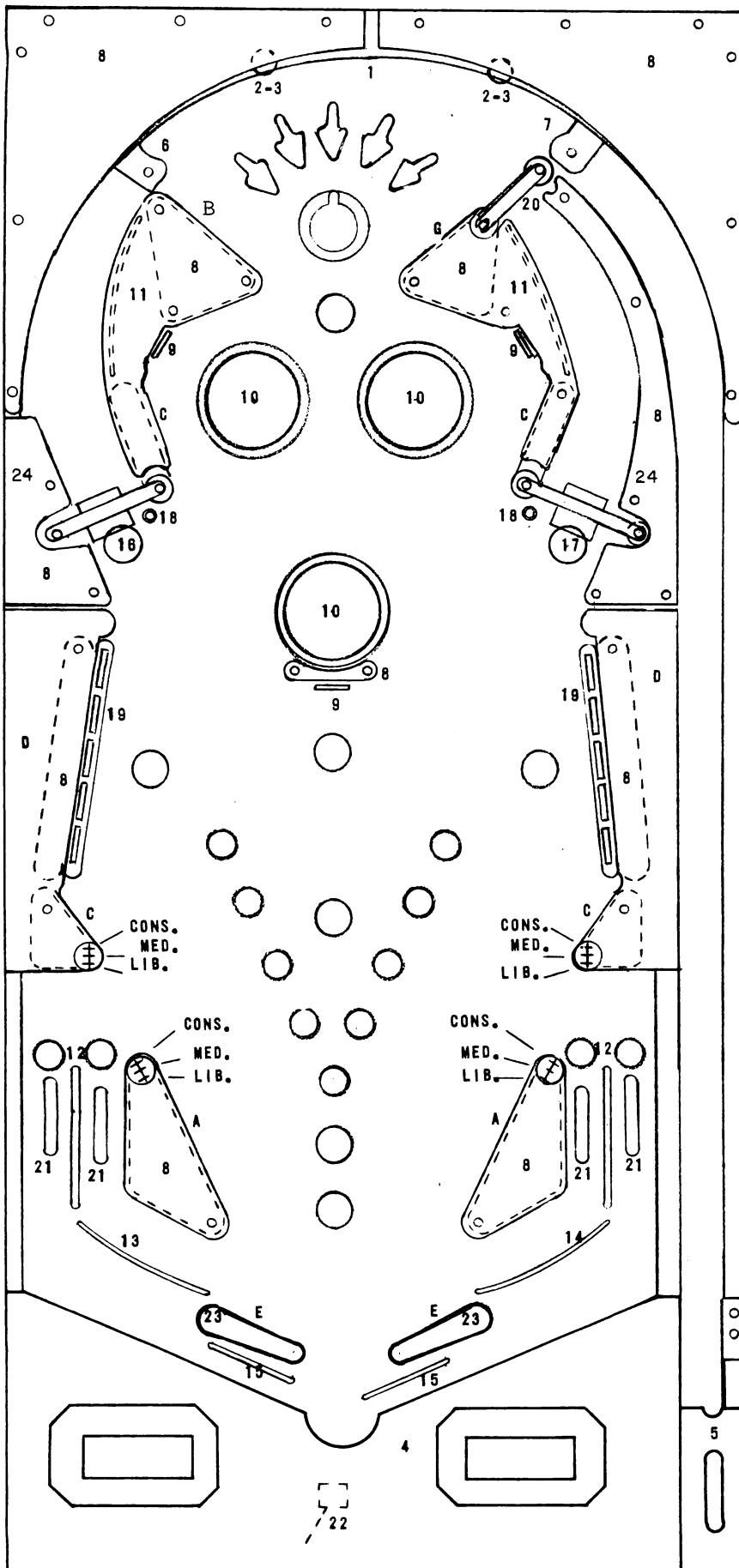
- A. R-521-4 2-1/2" Dia. (2)
- B. R-521-3 2" Dia. (1)
- C. R-521-1 1" Dia. (4)
- D. R-521-5 3" Dia. (4)
- E. R-406-3 Flipper (2)
- F. R-243 5/16 Dia. (9)
- G. R-521-2 1-1/2" Dia. (1)

PANEL TOP PARTS

- 1. Arch Rail M-1774
- 2. Rail Post C-907
- 3. Rail Post Cap C-908
- 4. Bottom Arch P-5871-55
- 5. Shooter Gauge P-6359-21
- 6. Ball Gate (L) A-1475-10
- 7. Ball Gate (R) A-1475-9
- 8. Screened Plastics A-2890-121
- 9. Target Assem. (3) AS-982-723
- 10. Thumper Cap A-3713-12
- 11. Guide Wire (2) M-121-62
- 12. Guide Wire (2) M-121-18
- 13. Guide Wire M-121-43
- 14. Guide Wire M-121-44
- 15. Guide Wire (2) M-121-53
- 16. Spinner Gate AS-2250-48
- 17. Spinner Gate AS-2250-47
- 18. Minipost & Rubber AS-2836
- 19. Drop Target Unit (2) AS-2795-53
- 20. Ball Gate Assem. AS-2250-18
- 21. Rollover Wire (4) AS-2806
- 22. Out Hole Wire AS-2806-21
- 23. Flipper & Shaft (2) AS-2214-24
- 24. CLEAR PLASTICS A-2890-122

Cons. - Conservative
 Med. - Medium
 Lib. - Liberal

Indicates Movable Posts
 For Scoring Adjustments



#1074 NIGHT RIDER

FEATURE OPERATION AND SCORING

- A. BONUS SCORE FEATURES: A bonus score of 1,000 to 15,000 points may be scored. The game starts with a bonus score of 1,000. The bonus score advances one step at a time each time the ball goes into top saucer, knocks down a drop target, hits lit center target, or goes through a lit ball return lane. When the ball goes into the outhole, the lit bonus score is added to the player's total score; if the double bonus lite is lit, twice the lit bonus score is added to the player's total score. A tilt nullifies the bonus score.
- B. DOUBLE BONUS FEATURE: The double bonus is awarded when the ball goes into the top saucer when the double bonus lite is lit below saucer.
- C. DROP TARGET FEATURE: Each drop target scores 50 points.
- a) With drop target special adjustment plug on conservative, setting the lane adjustment plug in the following positions scores:

LANE ADJ. PLUG

	<u>CON.</u>	<u>LIB.</u>
1st time <u>both</u> target banks down (10) targets	X-Ball lite on <u>(alternates)</u> and scores <u>6,000</u>	X-Ball lite on <u>(constantly)</u> and scores <u>6,000</u>
2nd time <u>either</u> target bank down & each additional time	Special awarded and scores <u>3,000</u>	Special awarded and scores <u>3,000</u>

- b) With drop target special adjustment plug on liberal, setting the lane adjustment plug in the following position scores:

LANE ADJ. PLUG

	<u>CON.</u>	<u>LIB.</u>
1st time <u>either</u> target bank down	X-Ball lite on <u>(alternates)</u> and scores <u>3,000</u>	X-Ball lite on <u>(constantly)</u> and scores <u>3,000</u>
2nd time <u>either</u> target bank down & each additional time.	Special awarded and scores <u>3,000</u>	Special awarded and scores <u>3,000</u>

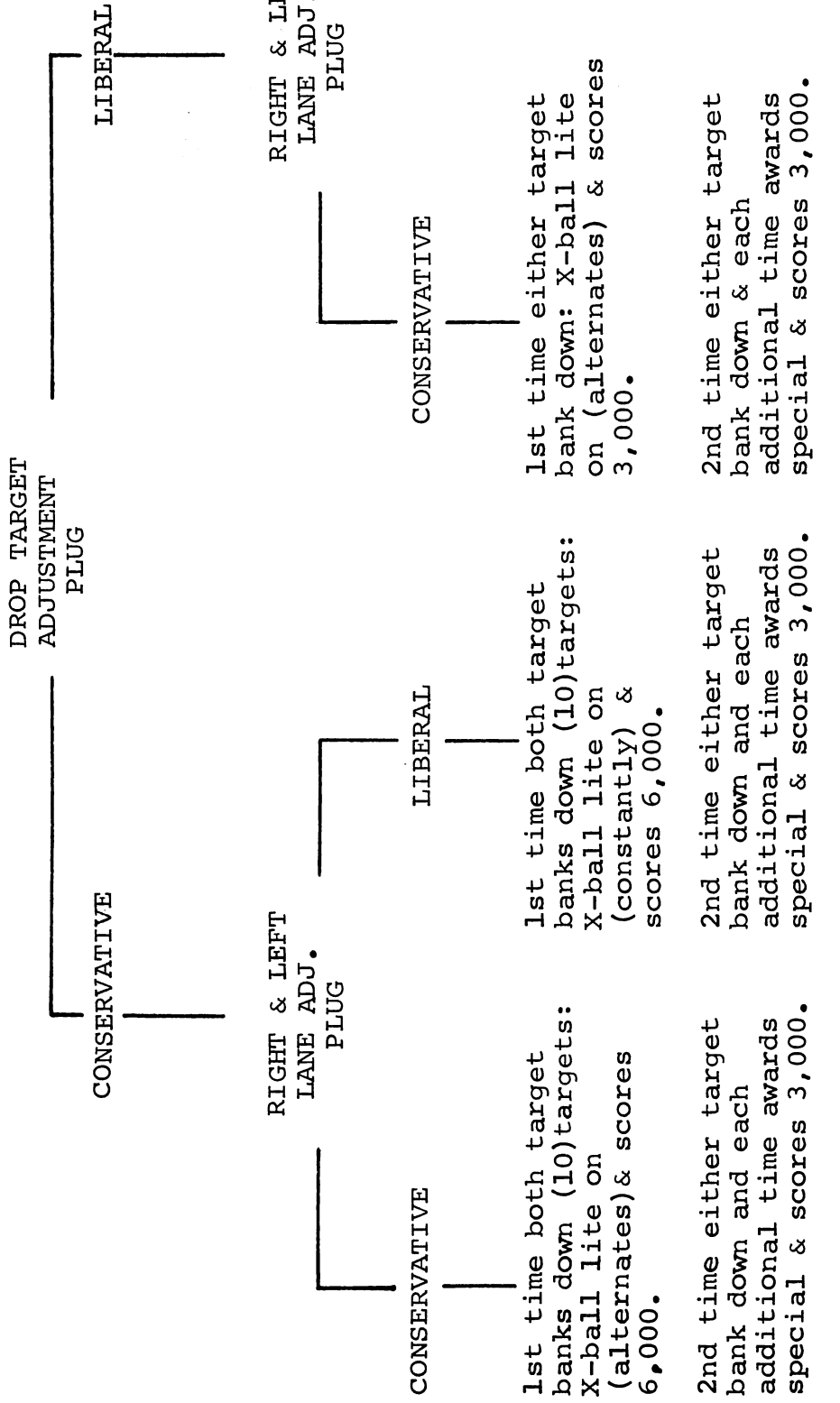
Only one extra ball is awarded at any one time. The extra ball earned must be played off before another extra ball can be scored. The game is adjustable to award an extra ball.

when a pre-adjusted hi-score is registered or through the special feature. The "Special" award is adjustable to score a credit or an extra ball.

(SEE THE FOLLOWING SHEET FOR CHART OF "C")

Instructions for use of chart: Select desired scoring sequence at bottom of page by following plug selections from top of page to bottom. Example: To lite the special lites when either drop target bank is knocked down, (the first time for a ball-in-play), and have the X-Ball alternate, the Drop Target Adj. Plug should be on liberal and the Lane Adj. Plug should be on conseravtive. To lite the special lites when all 10 drop targets have to be knocked down, (the first time for a ball-in play), and still have the X-Ball lite alternate, the Drop Target Adj. Plug should be on conservative and the Lane Adj. Plug should be on conservative.

C. DROP TARGET FEATURE (Continued)



#1074 NIGHT RIDER

PARTS LIST

MISCELLANEOUS

Transformer (Domestic)	E-122-124
Transformer (Export)	E-122-123
Score Motor (Domestic)	E-119-354
Score Motor (Export)	E-119-460

RELAY COILS

Delay	G-30-1500
Coin	G-31-2000
2nd Coin Chute	G-31-2000
3rd Coin Chute	G-31-2000
Credit	G-31-2000
Lock	G-33-2800
Reset	G-31-2000
#1 Score Reset	G-30-1500
#2 Score Reset	G-30-1500
Game Over (Trip)	G-31-1600
Game Over (Latch)	G-31-2000
Player Reset	G-31-2000
Bonus Score	G-31-2000
Outhole	G-31-2000
Ball Index	G-32-2500
Tilt	G-32-2500
Extra Ball	G-32-2500
Double Bonus	G-32-2500
Over-The-Top Delay	G-31-1600
Total Sequence	G-32-2500
10, 100, 1000 (3)	G-31-2000
100,000 Relay (4)	G-32-2500
Drop Target	G-31-2000
Drop Target Reset	G-31-2000
Top Hole	G-31-2000
2 Coins-3 Play (When req'd.)	G-32-2500
10-12 Play (When req'd.)	G-31-2000

ASSEMBLY COILS

Coin Lockout	FC-33-2600
Chime (3)	CG-29-1600
Knocker	AK-27-1300
Flipper Left & Right(2)	AF-25-500 28-1000
Thumper Bumper (3)	AP-27-1300
Outhole Kicker	AP-25-850
Sling Shot (2)	AP-27-1300
Top Hole Kicker	A-27-1300

UNIT COILS

Credit (Step Up)	B-26-1100
Credit (Reset)	CD-29-1600
Coin (Step Up)	B-26-1100
Coin Unit (Reset)	CD-29-1600
Ball Count (Step Up)	B-26-1100
Ball Count (Reset)	CD-29-1600
Player Up (Step Up)	B-26-1100
Player Up (Reset)	CD-29-1600
00-90 (Step Up)	CD-29-1600
Score Drums (Step Up) (16)	CD-29-1600
Bonus Unit (Step Up)	B-26-1100
Bonus Unit (Reset)	CD-29-1600
Drop Target (Reset)(2)	N-21-650
Top Hole Unit (Step Up)	CD-29-1600

UNIT DISCS

Coin	W-923-459
Ball Count	W-1043-31
Player Up	W-923-440
Bonus	W-1072-50
00-90	W-999-28 W-999-29
Top Hole	W-999-44 W-999-45

UNIT WIPERS

Coin	AS-1046-815
Ball Count	AS-1046-809
Player Up	AS-1046-805
Bonus	AS-1046-800
00-90	A-1618-3 A-1618-4
Top Hole	A-1618-3 A-1618-4

PLAYFIELD PANEL POST ADJUSTMENTS:

Posts that control left and right outlane opening on panel (see panel sketch) can be moved to make access to outlanes easier or harder for ball to enter.

Easier entry will decrease playing time and scoring (conservative).
Harder entry will increase playing time and scoring (liberal).

HI-SCORE ADJUSTMENT PLUG:

Located on back box lite insert. This plug provides a wide range of coverage at which hi-score credits can be scored. (See the score adjustment card in back box for plug positions).

MATCH FEATURE ADJUSTMENT PLUG:

Located in back box lite insert. This plug provides positions to operate match feature on or off.

HI-SCORE FEATURE ADJUSTMENT PLUG:

Located in back box lite insert. This plug provides positions to award hi-score credit or extra ball.

BALLS PER GAME ADJUSTMENT PLUG:

Located on front cabinet mounting board. This plug provides positions to operate game on 5 ball or 3 ball play, as follows:

3 BALL

Right & left thumper
bumpers and spin targets
score 100 points constantly.

Center target lites constantly
and scores 50 points.

5 BALL

Right & left thumper
bumpers and spin targets
score 100 points alternately.

Center target scores 50
points alternately.

Recommended:

Score Cards and Plug Settings to be used on NIGHT RIDER:

3-BALL

REPLAYS

Instruction Card M-1508-57-C
Score Card M-1508-57-U

1 Replay at 87,000
1 Replay at 118,000
1 Replay at 144,000

Drop Target Adj. Plug - Liberal
Lane Adj. Plug - Liberal

EXTRA BALL

Instruction Card M-1508-57-F
Score Card M-1508-57-Y

1 Extra ball at 87,000
1 Extra ball at 125,000

Drop Target Adj. Plug - Liberal
Lane Adj. Plug - Conservative

5-BALL

REPLAYS

Instruction Card M-1508-57-C
Score Card M-1508-57-L

1 Replay at 99,000
1 Replay at 145,000

Drop Target Adj. Plug - Liberal
Lane Adj. Plug - Conservative

EXTRA BALL

Instruction Card M-1508-57-E
Score Card M-1508-57-AC

1 Extra ball at 111,000
1 Extra ball at 142,000

Drop Target Adj. Plug - Conservative
Lane Adj. Plug - Conservative

ALL PLAYFIELD ADJUSTABLE POSTS IN MEDIUM POSITION

ADDITIONAL CARDS

REPLAYS

M-1508-57P	75,000	114,000	142,000
M-1508-57Q	81,000	116,000	143,000
M-1508-57V	93,000	120,000	145,000
M-1508-57Z	99,000	122,000	146,000
M-1508-57AA	111,000	128,000	149,000
M-1508-57I	75,000	129,000	
M-1508-57J	81,000	129,000	
M-1508-57K	87,000	129,000	
M-1508-57M	111,000	147,000	
M-1508-57N	123,000	149,000	
M-1508-57O	128,000	149,000	
M-1508-57AD	70,000	118,000	141,000
M-1508-57AE	65,000	100,000	141,000
M-1508-57AF	59,000	100,000	141,000
M-1508-57H	93,000	141,000	
M-1508-57G	117,000	148,000	

EXTRA BALL

M-1508-57W	69,000	118,000
M-1508-57X	78,000	121,000
M-1508-57AB	96,000	127,000

INSTRUCTION

M-1508-57A
M-1508-57B
M-1508-57D

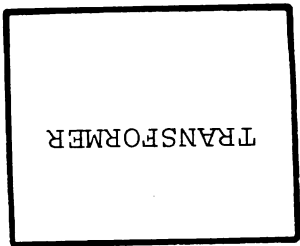
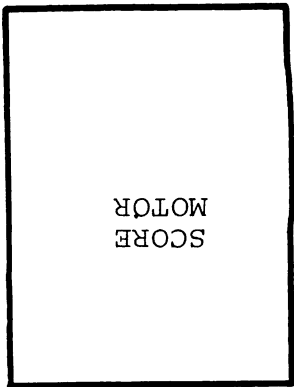
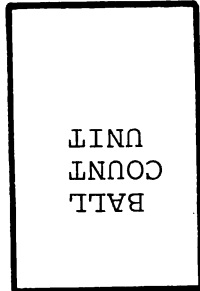
BLANKS

M-1508-57R
M-1508-57S
M-1508-57T

NIGHT RIDER MOUNTING BOARD RELAY LAYOUT

FRONT OF CABINET

DOUBLE BONUS
PLAYER RESET
BONUS SCORE
EXTRA BALL
TILT
BALL INDEX
OUTHOLE
DELAY
RESET
LOCK
CREDIT
COIN
2ND COIN CHUTE
3RD COIN CHUTE
2 COIN
3 PLAY



DROP TARGET
DROP TARGET
RESET
TOTAL SEQUENCE
TOP HOLE
OVER THE TOP DELAY
GAME OVER
SCORE MOTOR

BACK OF CABINET

A) Schematics

The schematic as drawn shows the power-off condition. The lock relay is de-energized. The lock relay will become energized when the power is turned on. The general illumination lights will now light. The schematic should be used to localize the area of interest for any given fault. For example, if the game were coined and the credit button pressed, the game over relay should be latched. If not, the trouble could be in the motor switches or the lock relay. Visual inspection will usually reveal the source of the trouble. A volt-ohmmeter will always locate the trouble.

The schematic, therefore, allows us to trace each circuit through the game to the power source (the transformer secondary). A color code is given for each lead to facilitate this tracing in the game.

The numbers on the bottom of the schematic and the letters on the left hand margin of the schematic can be used with the coil location chart at the right hand side to locate relays and solenoids. If the coil number is not recognizable in the game, the schematic will give the number for reordering (for example, reset relay G-31-2000). The nominal resistance of each relay coil is also given.

Score motor operation is detailed on the schematic. The score motor is used in the coining, reset and scoring operations. The sequence of operation table indicates that the score motor, when energized, will actuate contacts associated with cams one through twelve in the positions indicated. Cam #1 is physically closest to the motor. Cam switches are lettered alphabetically starting with "A" for the bottom of a switch stack. For example, the switch 2C, SCM, on the schematic is driven by the cam in the second position from the motor and is physically the third switch assembly above the cam in the switch stack. It is actuated by the score motor driven second cam in positions 1, 2, 3, 4 and 5.

The motor receives a starting pulse from various sources. It will index itself one-half revolution (180°) by means of self holding switch associated with Cam #1.

Relays shown on the schematic are shown de-energized. A relay consists of a coil of wire (electromagnet, when energized) armature or heel plate, plastic switch actuator, switch assemblies and frame. When the coil is energized, the armature is pulled to the coil by the electromagnetic force created by the current flowing through the turns of the coil. The plastic switch actuator is connected to the armature. The moving armature pulls the actuator and the long switch blades to the energized position. Contacts that were closed in the de-energized are opened in the energized position and vice-versa. In general, Bally relays are designed to self-hold or remain energized through a contact in the stack after the source of initial energization is removed.

B. ASSEMBLY ADJUSTMENTS

1. General

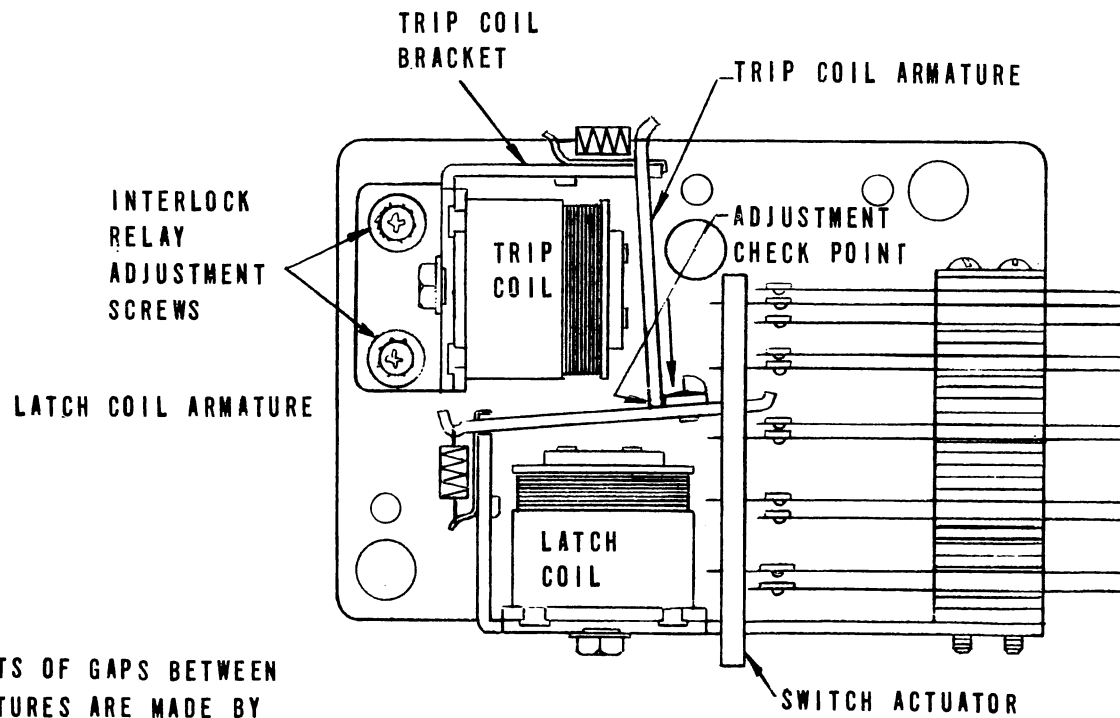
All switch assemblies consist of leaf springs, contacts, separators, plastic tubing and screws to hold them to the mounting surface on the relay frame. Before attempting to adjust a switch assembly, make sure that these screws are tight. If not, tighten screw closest to the contact end of the leaf spring first. This will prevent the assembly from being secured in such a manner that the leaf springs tend to fan out. In general, all leaf springs are adjusted for a 1/32" gap in the open position and .010" overtravel or wipe in the closed position. All contacts should be in good condition. Unless otherwise instructed, they should be dry or non-lubricated. All contacts should be free of dust and dirt. Tarnish can be removed with a contact file followed by a burnishing tool. Severely pitted contacts must be replaced as an assembly. In general, contacts need be cleaned or replaced and adjusted when they are found to be a source of game malfunction.

2. Relays

All of the above applies. Relay contacts are operated dry. Beyond the normal 1/32" gap adjustment, relays with a self-holding circuit must be adjusted such that the self-holding contacts make just before the other contacts (adjust to .025" gap). Care in making this adjustment prevents false crediting and false scoring during the game.

The game-over relay is an example of an interlock relay. Interlock relays are adjusted for a .010" gap between the trip and latch coil armatures in the trip position and a .010" gap between the nylon on the latch coil armature and the trip coil armature in the latch position. If an adjustment is necessary, the interlock relay adjustment screws should be loosened and the trip coil repositioned until the trip and latch armature gaps are proper. The screws are then secured. Always check the switch adjustments after a gap adjustment is made. Open contacts should have a 1/32" gap. Closed must show .010" overtravel.

BALLY INTERLOCK RELAY



WHEN THE LATCH ARMATURE IS HELD DOWN DIRECTLY OVER THE CENTER OF THE LATCH COIL, THERE SHOULD BE A .010 GAP BETWEEN THE TRIP COIL ARMATURE AND THE NYLON PIECE OF THE LATCH COIL ARMATURE AT THE ADJUSTMENT POINT.

WHEN THE TRIP COIL ARMATURE IS HELD DOWN AND THE LATCH ARMATURE IS RELEASED, THERE SHOULD BE A GAP OF ABOUT .010 BETWEEN THE TWO ARMATURES.

ADJUSTMENTS OF GAPS BETWEEN THE TWO ARMATURES ARE MADE BY LOOSENING THE INTERLOCK RELAY ADJUSTMENT SCREWS. BE SURE TO TIGHTEN DOWN THE SCREWS AFTER ADJUSTMENT IS MADE.

ALWAYS CHECK SWITCH ADJUSTMENTS WHENEVER A GAP ADJUSTMENT IS MADE.

3. Printed Circuit and Riveted Disc Units

Examples of these are the bonus, the player up, the ball count, the coin and the 00-90 units. The force exerted on the disc contacts by the rotor requires lubrication of the disc contacts. Periodic maintenance must include an inspection for the presence of lubrication and for contact condition. Touching the contacts with the fingers should result in a shiny trace on the finger. This, and absence of contact pitting and dirt indicate a satisfactory operating condition. Contact pitting can be corrected with a contact file and burnishing tool. Dirt should be removed with a clean, lint free cloth. If contact cleaning fluids are used to remove greasy dirt, a cloth must be used to remove any chemical residue. Finally, apply Bally coin machine lubricant to a clean cloth. Apply a thin film to the contact surfaces.

If, in trouble shooting, a rotor blade is suspected as the source of the problem, it can be checked for proper adjustment. A blade exerting too little pressure can be intermittent. A blade exerting too much pressure may slow or stop the rotor. A check for the force exerted by the rotors can be made as follows: gently warp the disc or printed circuit board away from the rotor. The rotor blade should follow the disc or board for 1/32" before contact is broken. If it follows further, contact force is too great. If it breaks contact too soon, contact force is not great enough. Use a contact adjusting tool to adjust the rotor blade pressure.

4. Credit Unit

The credit unit is used to store in memory the number of credits or games due a player. Credits are payed for or won for high score, match feature or as a special game feature. Improper adjustment of the credit unit can result in too many or too few credits issued to the player. To check for proper adjustment of the credit unit: (See, Figure III-3)

- a) Slowly hand actuate the step-up plunger. The step-up arm must not engage the next tooth on the ratchet (occasional engagement is acceptable). If the step-up arm does, gently bend the base plate tab down (away from the step-up solenoid) until hand actuation does not cause consistent engagement of the next tooth on the ratchet. This adjustment, properly made, prevents multiple crediting when only one credit is due the player.

CREDIT (REPLAY) UNIT

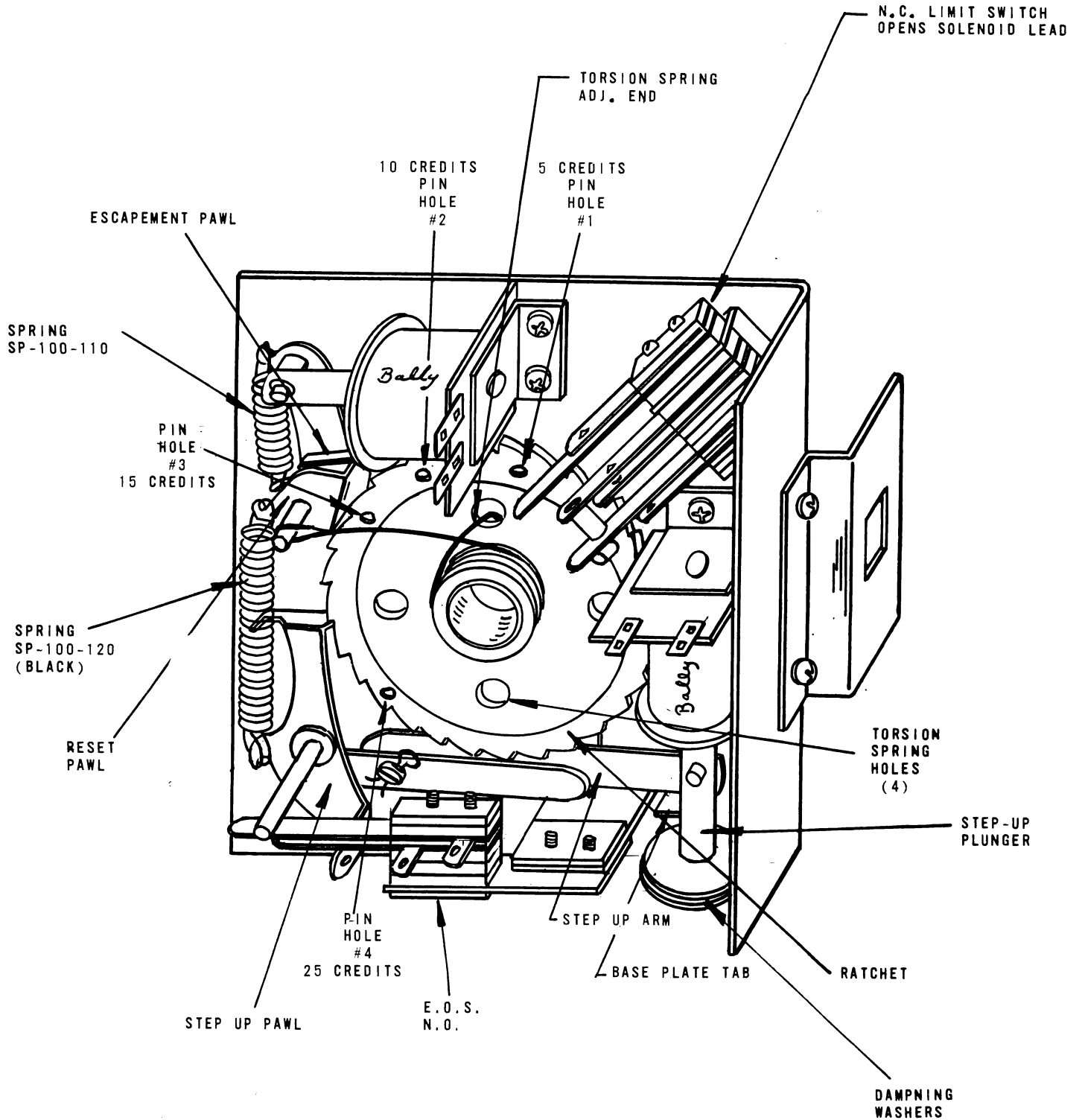


FIGURE III - 3 CREDIT UNIT ADJUSTMENTS

- b) If multiple crediting persists, increase spring tension by moving the ratchet torsion spring (short end) one hole or 1/4 turn clockwise to the next hole. This will slow the ratchet wheel and decrease the probability of multiple crediting.
- c) If the credit unit does not return to zero, check the adjustment of the switch stack just above the step-up solenoid. If the force exerted by the blades in this stack is excessive, the credit unit will not return to zero. Adjust the stack for a 1/32" gap when the credit wheel is not on zero, and a .010" overtravel at zero. Now spin the credit wheel by hand for the maximum allowable number of credit. The normally closed switch in the stack must now be opened by the pin in the ratchet wheel. This switch is the limit switch and opens the lead to the step-up solenoid.
- d) If two or more credits are subtracted each time the credit button is actuated, the spring (SP-100-110) that positions the escapement pawl is too strong. Gently spread the turns on the spring until the proper action is obtained.

It is to be noted that selection of the #1, 2, 3, or 4 pin hole will limit the maximum number of credits possible to 5, 10, 15 or 25 as desired. This pin actuates the limit switch on the switch stack.

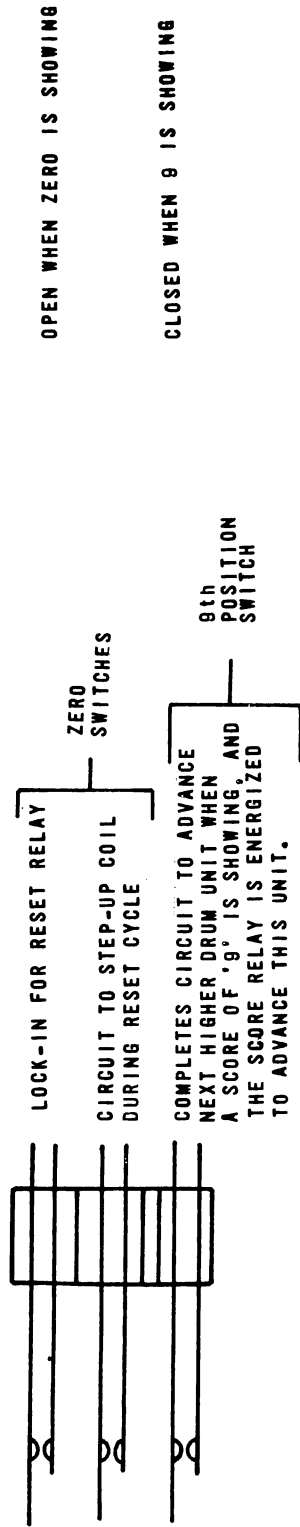
5. Score Drum Unit Adjustment (See Figure III-4)

All score drum unit assemblies are essentially the same. End of stroke switches are adjusted for a 1/32" gap and .010" overtravel (wipe) at the end of the solenoid stroke. The switches in the stack are adjusted likewise. Note that if the solenoid plunger is actuated by hand, all switches are open in the zero position, i.e., the numeral '0' in the viewing window on the insert. Malfunctions can be corrected by proper adjustment. Typical malfunctions are:

- a) Score drum continues to step through zero during the reset cycle (top switch in switch assembly always closed).
- b) Score drum does not score (second switch in switch assembly always open).
- c) Score drum and next higher drum advance simultaneously on a continuous or intermittent basis. This is proper when advancing from the 9th position to zero. For all other numerical positions it indicates that the last switch (closest to the metal frame) is always or intermittently closed.

SCORE DRUM UNITS SWITCHES

10-90, 100-900 & 1,000-9,000 UNITS (ALSO 10,000-90,000 UNIT WHEN 100,000 RELAY IS INVOLVED)



10,000-90,000 UNIT (EXCEPT IN GAME HAVING 100,000 RELAYS - SEE ABOVE)

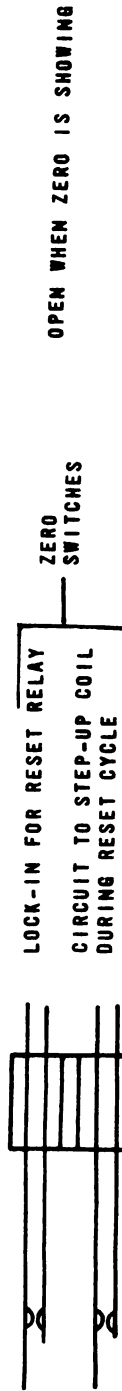


FIGURE III-4 SCORE DRUM UNIT SWITCH ASSEMBLY

Score drums are easy to trouble shoot. A faulty unit can be found visually. Visual inspection and adjustment is adequate to correct the problem. Do not overlook cable dress as a source of the problem. Dress bare leads away from adjacent connections.

SECTION IV SERVICE PARTS

A parts catalogue is available upon request. The catalogue is illustrated and lists all replacement parts for each game manufactured by Bally. Requests should be addressed to:

BALLY MANUFACTURING CORPORATION
2640 WEST BELMONT AVENUE
CHICAGO, ILLINOIS 60618
ATTENTION: PARTS DEPARTMENT

SERVICE HINTS

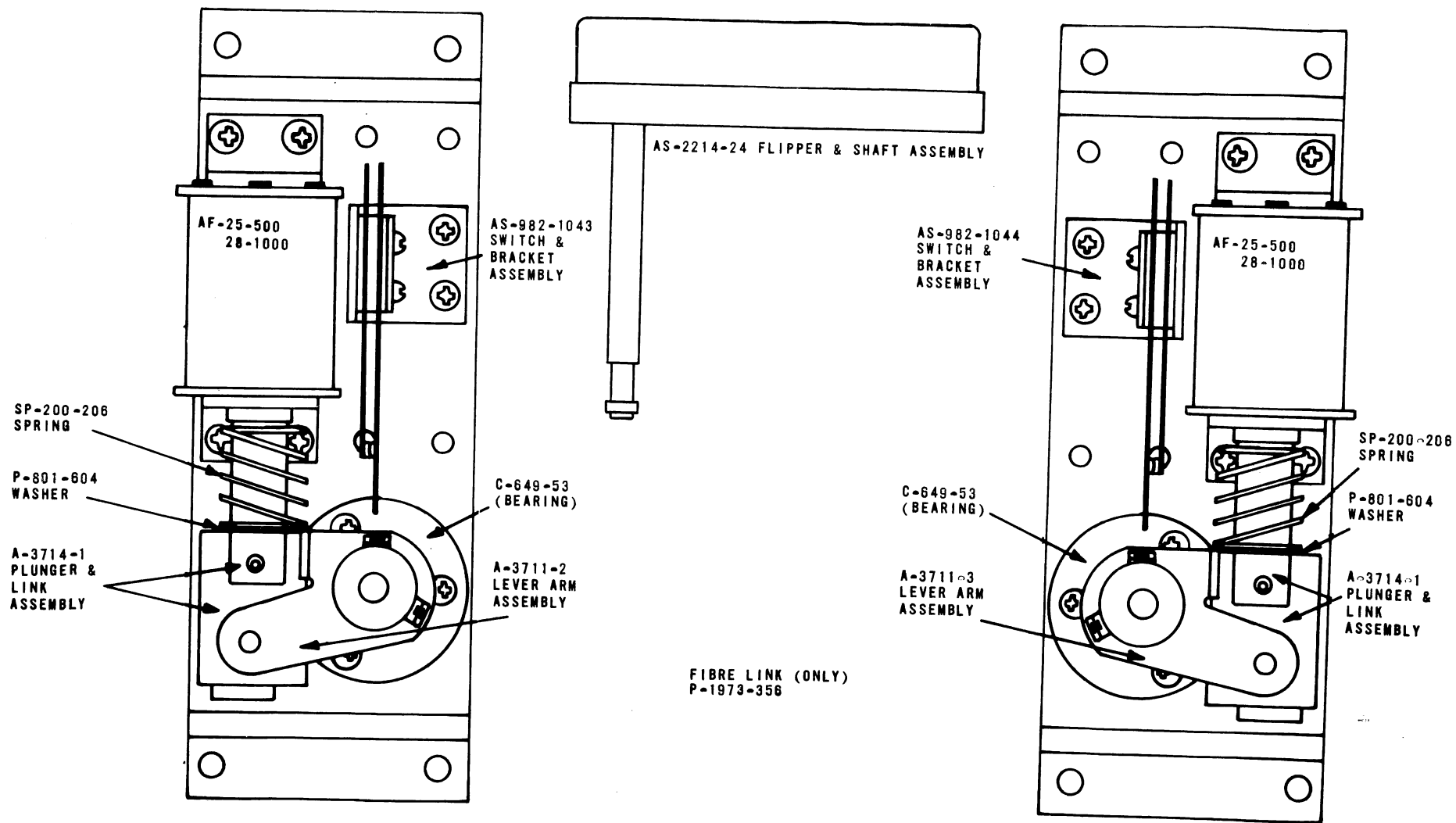
To maintain trouble free operation, all stepping unit contact plates, rivet and printed circuit type should be cleaned and lubricated sparingly every 30 days using Bally coin machine lubricant.

The Bally playfield has an improved tuff-coat finish with excellent wearing properties. It's life expectancy, as well as play appeal, can be extended by periodic cleaning of the playfield.

DO: Bally recommends you clean your playfield with Wildcat #125 (Wildcat Chemical Co., 1333 W. Seminary Dr., Ft. Worth, Texas 76115). Wildcat #125 is a combination cleaner and polish. Bally has tried and tested this product and found it to be very effective. If Wildcat #125 is not available, Bally suggests you ask your Distributor to order it. Inspect and hand polish the ball in a clean cloth. A chipped ball must be replaced. It can ruin the finish on the playfield in a short period of time.

DON'T: Use water in large quantities, highly caustic cleaners, abrasive cleaners or cleaning pads on the playfield. Do not allow a wax or polish build up. Waxes yellow with age and spoil play appeal.

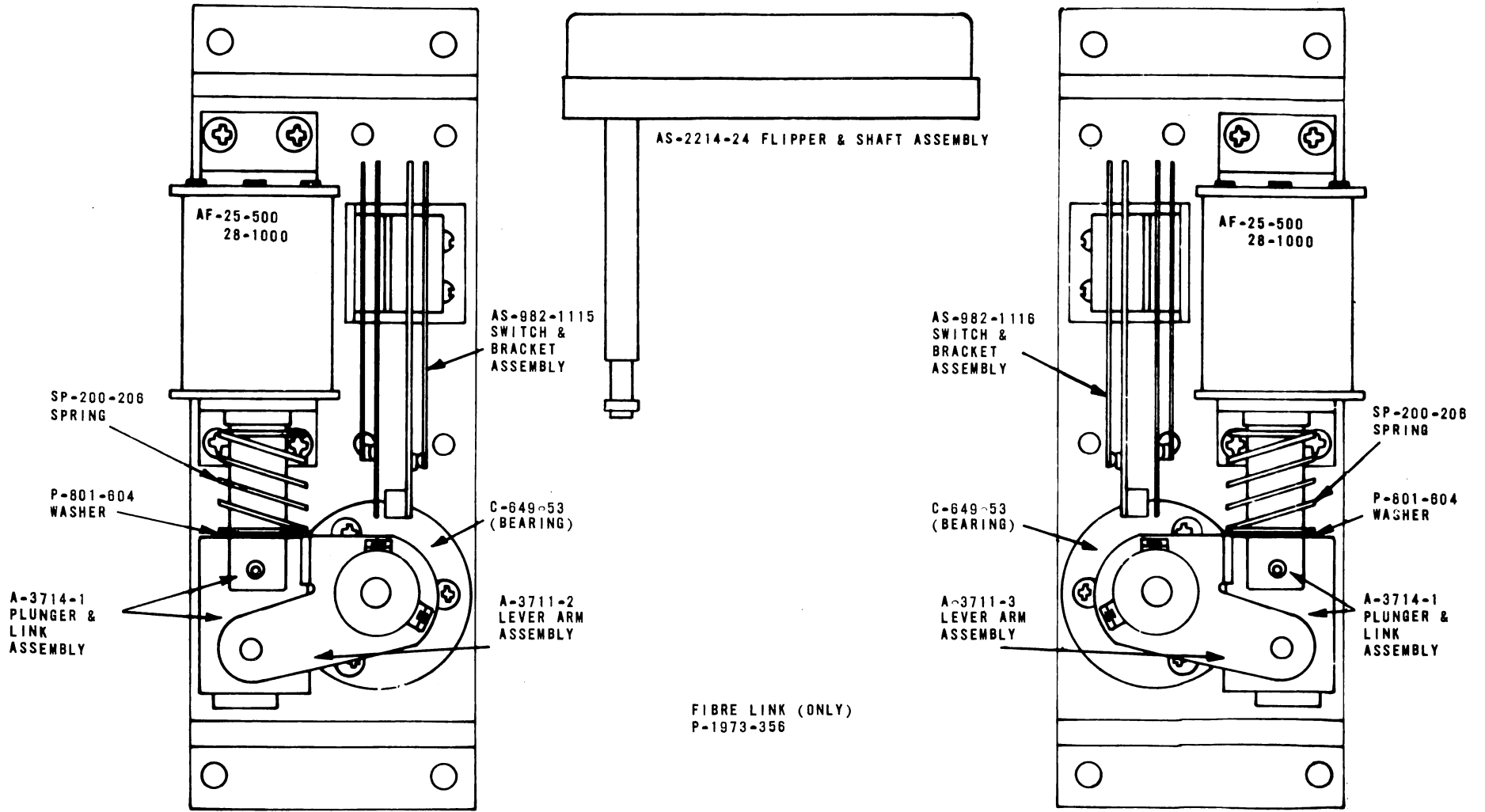
FLIPPER UNITS (WITH SINGLE SWITCH)



AS-1587-88 FLIPPER UNIT (LEFT) (AS SHOWN)

AS-1587-89 FLIPPER UNIT (RIGHT) (AS SHOWN)

FLIPPER UNITS (WITH DOUBLE SWITCH)



AS-1587-98 FLIPPER UNIT (LEFT) (AS SHOWN)

AS-1587-97 FLIPPER UNIT (RIGHT) (AS SHOWN)

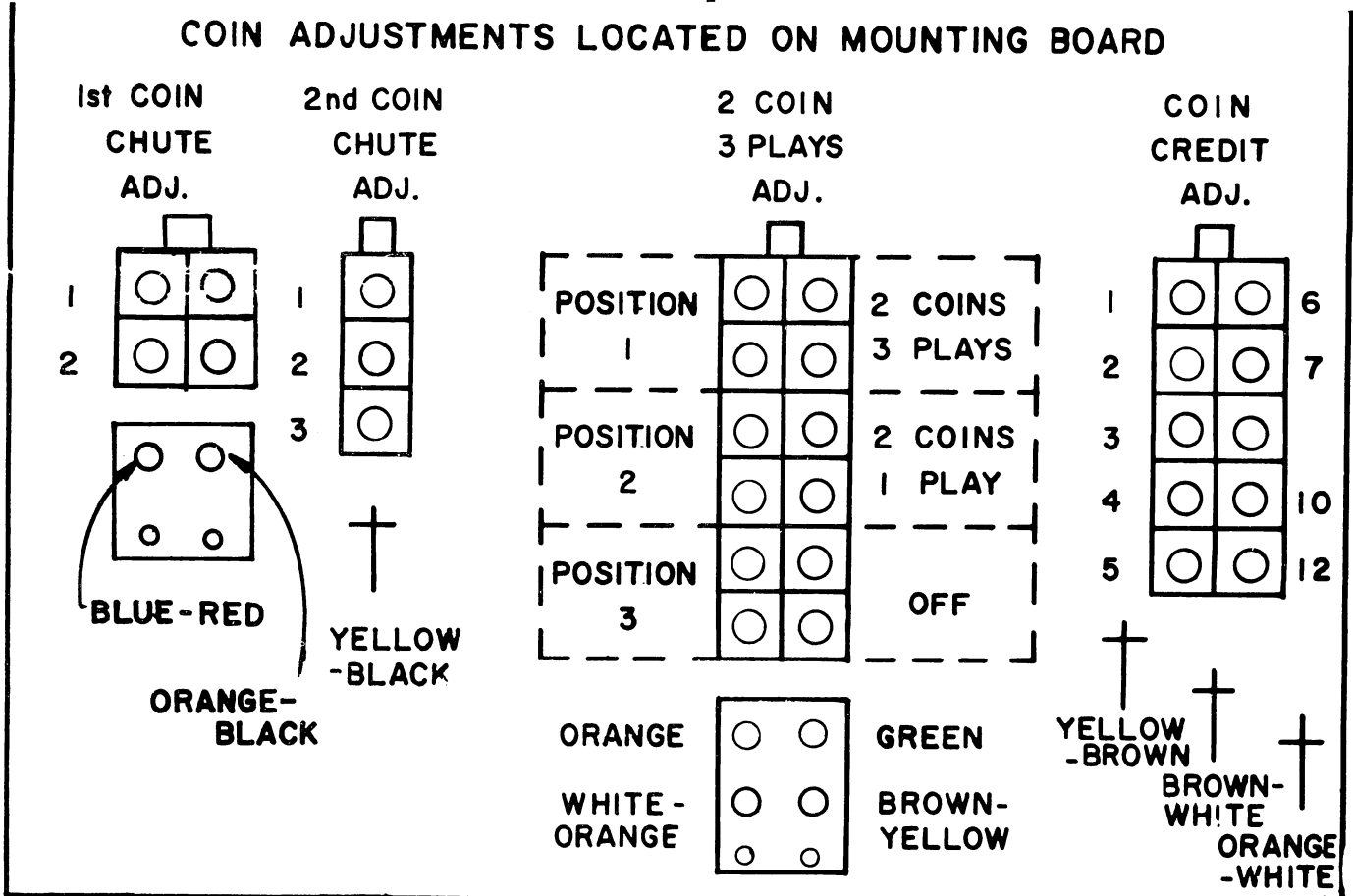
NEW COIN CREDIT ADJUSTMENTS

INTRODUCING: New simple credit adjustments in Bally's Pin Ball games which will allow flexibility in setting the number of credits desired per coin.

The function of the adjustment plugs are explained on pages 1A and 2A.

NOTE: However, to set up machine for credits desired, only follow adjustment procedures on pages 3A, 4A and 5A. A detailed layout of the adjustment sockets are also shown below for identity.

COIN ADJUSTMENTS LOCATED ON MOUNTING BOARD



1st COIN CHUTE ADJUSTMENT

Position 1 2 point plug in position 1 sets up 1 play per coin.

Position 2 2 point plug in position 2 sets up 2 credits on the credit unit.

NOTE: This adjustment is used mostly on games where 1 coin sets up 2 plays.

2nd COIN CHUTE ADJUSTMENT

Position 1 Yellow-Black wire plug in position 1 sets up 1 player per coin.

NOTE: This adjustment is used when changing the play from 1-coin 2 or more plays to 1-coin 1-play.

The coin micro switch must also have the yellow-black wire attached.

2ND COIN CHUTE ADJUSTMENT

- Position 2 Yellow-Black wire plug in position 2 sets up multiple credits per coin. The number of credits received will depend upon the location of the Brown-White wire plug in the Coin Credit Adjustment Connector. For example - to provide 6 credits per coin, place Yellow-Black plug in position 2 on the 2nd Coin Chute Connector and the Brown-White plug in position 6 on the Coin Credit Adjustment Connector.
- Position 3 Yellow-Black wire plug in position 3 is used only when 2 coins-3 plays, or 2 coins-1 play is desired. Complete adjustment procedure is on pages 3 and 5.

2 COINS - 3 PLAY ADJUSTMENT

- 1st Position The 4 point plug in 1st position adds 1 credit for the 1st coin and 2 credits for the 2nd coin.
2nd coin must be deposited before a ball is put into play.
- NOTE: After 2 credits are added the next coin will again repeat the above sequence,
 That is: 1st coin - 1 credit.
 2nd coin - 2 credits.
- 2nd Position The 4 point adjustment plug in 2nd position sets up 1 play for every 2 coins deposited. Complete adjustment procedure is on page 5A.
- 3rd Position The 4 point adjustment plug should always be in position 3 when neither of the above setups are used.

COIN CREDIT ADJUSTMENT

RELAY REQUIRED - 2ND COIN CHUTE RELAY

- Position 1 Brown-White wire plug in position 1 adds 1 credit per coin.
- Position 2 Brown-White wire plug in position 2 adds 2 credits per coin.
- Positions 3,4,5,
6 & 7 Brown-White wire plug in positions 3,4,5,6, & 7 will add credits corresponding to the numbered position it is inserted into.
- Positions 10,12 The 10-12 plays per coin requires additional relays. Adjustments for 10-12 plays are explained on page 5A.

ADJUSTMENT INSTRUCTIONS FOR CREDITS DESIRED

COIN	PLAYS	RELAYS REQUIRED	FRONT DOOR COIN SWITCH WIRE	PLUG ADJUSTMENTS
One	One		Door Chute SW White-Blue	Insert 2 point plug in position 1 on 1st coin chute adjustment.
Two	One	2 Coin 3 Play Relay AS-2865 3rd Coin Chute Relay AS-2865-3	Door Chute SW Yellow-Black	Insert 2 point plug in position 1 on 1st coin chute adjustment. Yellow-Black wire plug into po- sition 3 on 2nd coin chute adj. Orange-White wire plug into po- sition 7 on coin credit adj. Insert 4 point plug into 2nd po- sition on 2 coins, 3 play adj.
One	Two		Door Chute SW White-Blue	Insert 2 point plug in position 2 on 1st coin chute adjustment. Insert 4 point plug into 3rd po- sition on 2 coins, 3 plays adj.
One	Three	2nd Coin Chute Relay AS-2865-2	Door Chute SW Yellow-Black	Insert 2 point plug in position 1 on 1st coin chute adjustment. Yellow-Black wire plug into po- sition 2 on the 2nd coin chute adjustment. Brown-White wire plug into po- sition 3 on the coin credit adj. Insert 4 point plug into 3rd po- sition on 2 coins, 3 plays adj.
One	Four	2nd Coin Chute Relay AS-2865-2	Door Chute SW Yellow-Black	Insert 2 point plug in position 1 on 1st coin chute adjustment. Yellow-Black wire plug into po- sition 2 on the 2nd coin chute adj. Brown-White wire plug into po- sition 4 on the coin credit adj. Insert 4 point plug into 3rd po- sition on 2 coins, 3 plays adj.

COIN	PLAYS	RELAYS REQUIRED	FRONT DOOR COIN SWITCH WIRE	PLUG ADJUSTMENTS
One	Five	2nd Coin Chute Relay AS-2865-2	Door Chute SW Yellow-Black	<p>Insert 2 point plug in position 1 on 1st coin chute adjustment.</p> <p>Yellow-Black wire plug into position 2 on 2nd coin chute adj.</p> <p>Brown-White wire plug into position 5 on coin credit adj.</p> <p>Insert 4 point plug into 3rd position on 2 coins, 3 plays adj.</p>
One	Six	2nd Coin Chute Relay AS-2865-2	Door Chute SW Yellow-Black	<p>Insert 2 point plug in position 1 on 1st coin chute adjustment.</p> <p>Yellow-Black wire plug into position 2 on the 2nd coin chute adj.</p> <p>Brown-White wire plug into position 6 on the coin credit adj.</p> <p>Insert 4 point plug into 3rd position on 2 coins, 3 plays adj.</p>
One	Seven	2nd Coin Chute Relay AS-2865-2	Door Chute SW Yellow-Black	<p>Insert 2 point plug in position 1 on 1st coin chute adjustment.</p> <p>Yellow-Black wire plug into position 2 on 2nd coin chute adj.</p> <p>Brown-White wire plug into position 7 on coin credit adj.</p> <p>Insert 4 point plug into 3rd position on 2 coins, 3 plays adj.</p>

THREE COIN CHUTES

One	One		Door Chute SW White-Blue	Insert 2 point plug in position 1 on 1st coin chute adj.
One	Three	2nd Coin Chute Relay AS-2865-2	Door Chute SW Yellow-Black	<p>Yellow-Black wire plug in position 2 on 2nd coin chute adj.</p> <p>Brown-White wire plug in position 3 on coin credit adjustment.</p>
One	Seven	3rd Coin Chute Relay AS-2865-3	Door Chute SW White-Red	<p>Orange-White wire plug into position 7 on coin credit adj.</p> <p>Insert 4 point plug into 3rd position on 2 coins, 3 plays adj.</p>

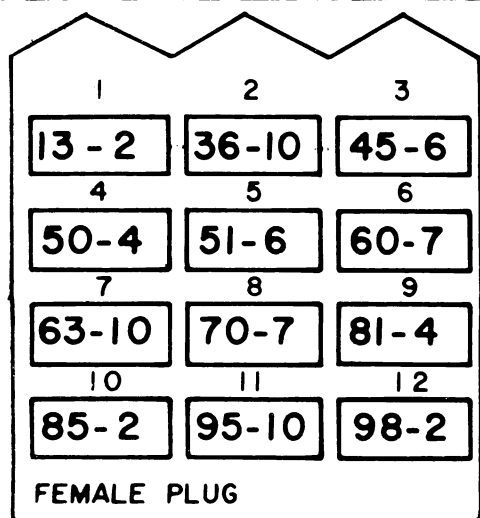
COIN	PLAYS	RELAYS REQUIRED	FRONT DOOR COIN SWITCH WIRE	PLUG ADJUSTMENTS
------	-------	-----------------	-----------------------------	------------------

THREE COIN CHUTES 10 or 12 PLAYS

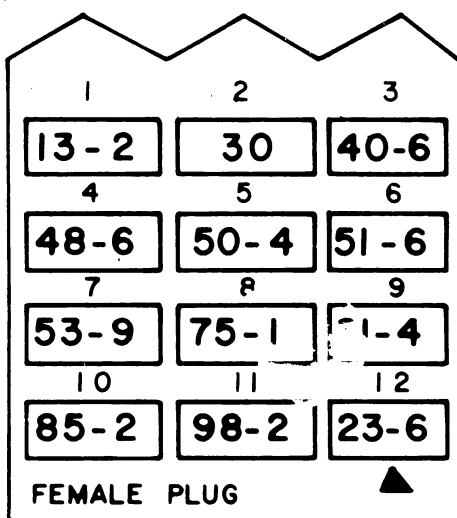
One	Two		Door Chute SW White-Blue	Insert 2 point plug into position 2 on 1st coin chute adjustment.
One	Four	2nd Coin Chute Relay AS-2865-2	Door Chute SW Yellow-Black	Yellow-Black wire plug into position 2 on 2nd coin chute adj. Brown-White wire plug into position 4 on coin credit adj.
One	Ten or Twelve	3rd Coin Chute Relay AS-2865-3	Door Chute SW White-Red	Orange-White wire plug into position 7 on coin credit adj. Yellow-Brown wire plug into position 10 or 12 on coin credit adj. Insert 4 point plug into 3rd position on 2 coins, 3 plays adj.
		10-12 Plays Relay AS-2865-1		

2 COINS - 3 PLAYS

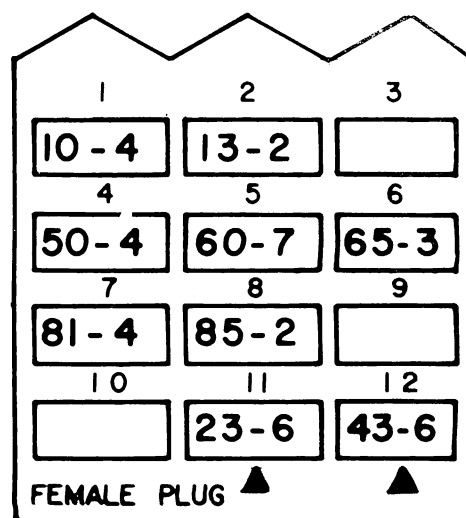
1st Coin	One			Insert 2 point plug into position 2 on 1st coin chute adjustment.
2nd Coin	Two		Door Chute SWS Yellow-Black	Yellow-Black wire plug into position 3 on 2nd coin chute adj.
		3rd Coin Chute Relay AS-2865-3		Orange-White wire plug into position 7 on coin credit adj.
		2 Coins 3 Play Relay AS-2865		Insert 4 point plug into 1st position on 2 coins, 3 play adj.



2 COIN 3 PLAY OR
10 - 12 PLAY



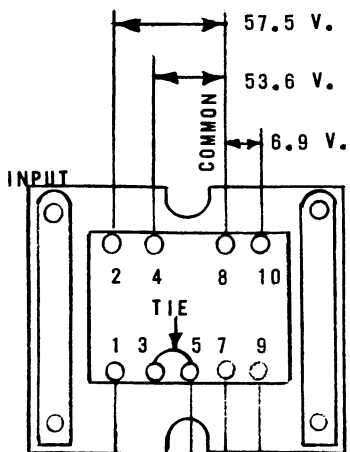
3RD COIN CHUTE



2ND COIN CHUTE

▲ PROTO-TYPE GAMES ONLY

E-122-123
TRANSFORMER
WIRING FOR
220/240 V.
50/60 CYCLE INPUT

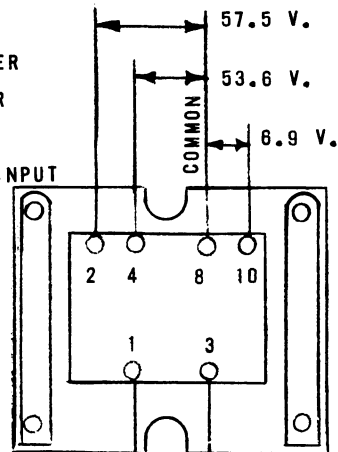


FOR 220 V. OR 240 V.
INPUT TIE LUG 3 AND
LUG 5 TOGETHER. PUT
70-1 (ORANGE) WIRE
ON LUG 1.

LUG 5 (115 V.) TAP
FOR 240 V. ONE SIDE OF
LINE CORD ON LUG 7.

FOR 220 V. ONE SIDE OF
LINE CORD ON LUG 9.

E-122-124
TRANSFORMER
WIRING FOR
115 V.
60 CYCLE INPUT



FOR 115 V. INPUT
PUT 70-1P (ORANGE)
WIRE ON LUG 1.

ONE SIDE OF LINE CORD
ON LUG 3.

IMPORTANT

THESE SPECIALLY TAPPED TRANSFORMERS
PROVIDE FOR LOCATIONS WITH LOW LINE
VOLTAGE. MOVING THE 15 (RED-WHITE)
WIRE FROM THE LOW TAP (LUG 4) TO
THE HIGH TAP (LUG 2) WILL ALLOW
GAME TO OPERATE AT A LOW LINE
VOLTAGE.

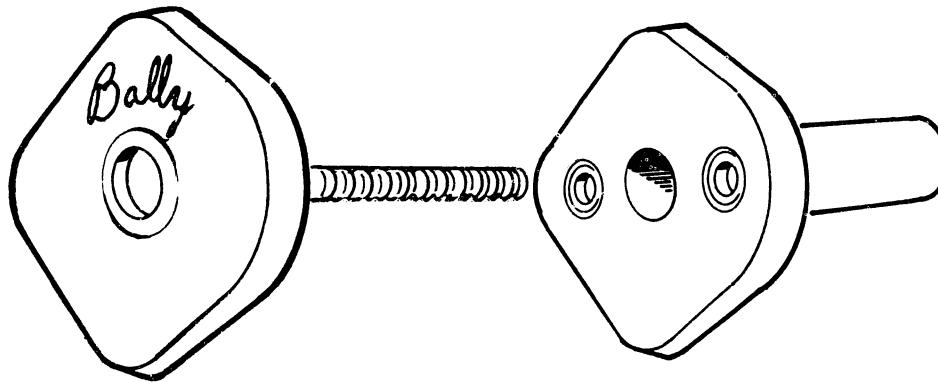
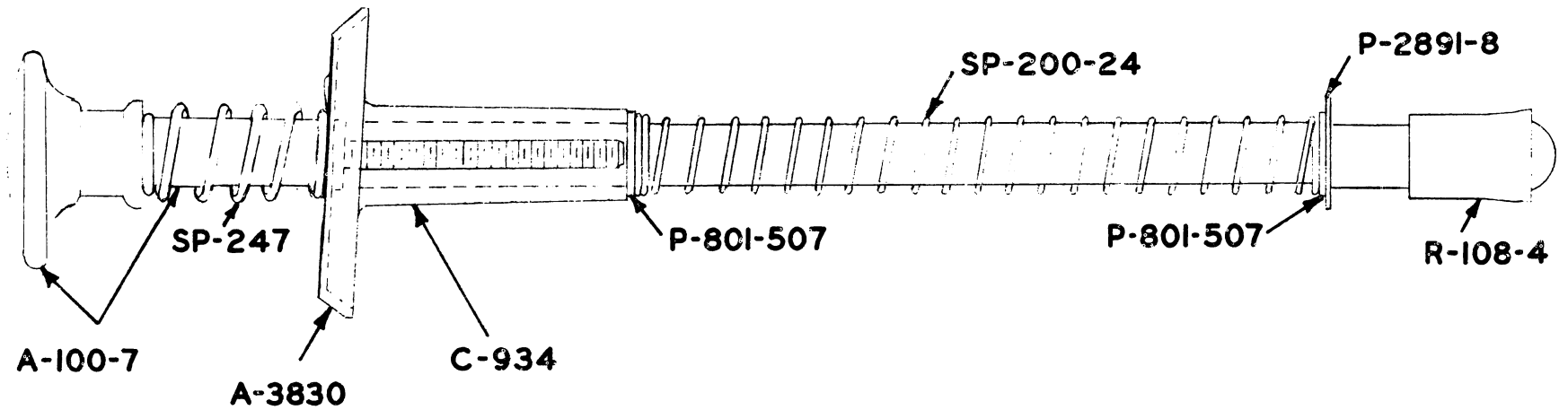
CAUTION

AT NO TIME SHOULD THE 15 (RED-WHITE)
WIRE BE LEFT ON THE HIGH TAP WHEN
LOCATION VOLTAGE EQUALS OR EXCEEDS
110/220 VOLTS.

NEW TYPE TRANSFORMER

NEW BALL SHOOTER ASSEMBLY

PART NO. AS-2378-5

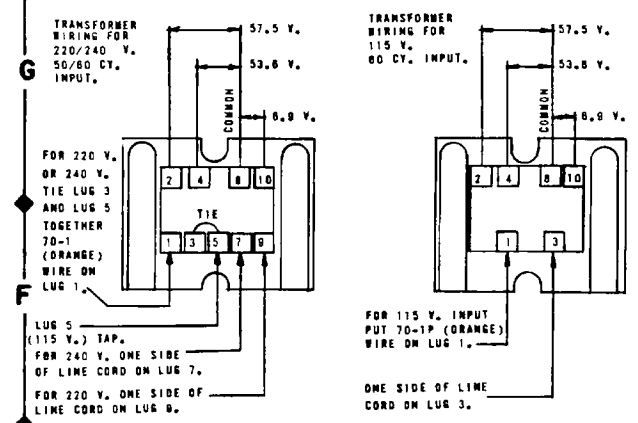
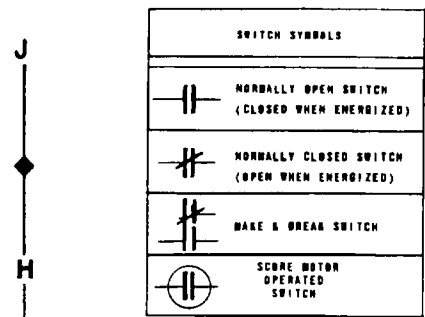


SHOOTER HOUSING COVER
PART NO. A-3830

SHOOTER GUIDE HOUSING
PART NO. C-934

TIME DELAY CIRCUIT

The purpose of the time delay circuit is to prevent unnecessary abuse of the machine it is installed in. The time delay relay is energized anytime one of the slam switches are made to contact. There are three factory installed slam switches, one on the front door, one on the mechanism mounting board and one on the cabinet. (Any number of slam switches could be installed by the operator, to meet his individual requirement.) The switches should be adjusted to have approximately 1/16" gap between the contacts. The weighted blade should be adjusted to attain the desired sensitivity. Decreasing the gap between contacts will make switch more sensitive. Opening the gap will reduce sensitivity. The total time the delay relay is energized can be varied by changing the #455 bulb mounted on the delay relay frame. If unable to get a short enough time of delay, get a Westinghouse #455 bulb; these units are considerably faster. If still unable to bring the time down, check the location voltage. It should not be under 49.5 V.A.C. on the transformer secondary.



WIRE COLOR CODE

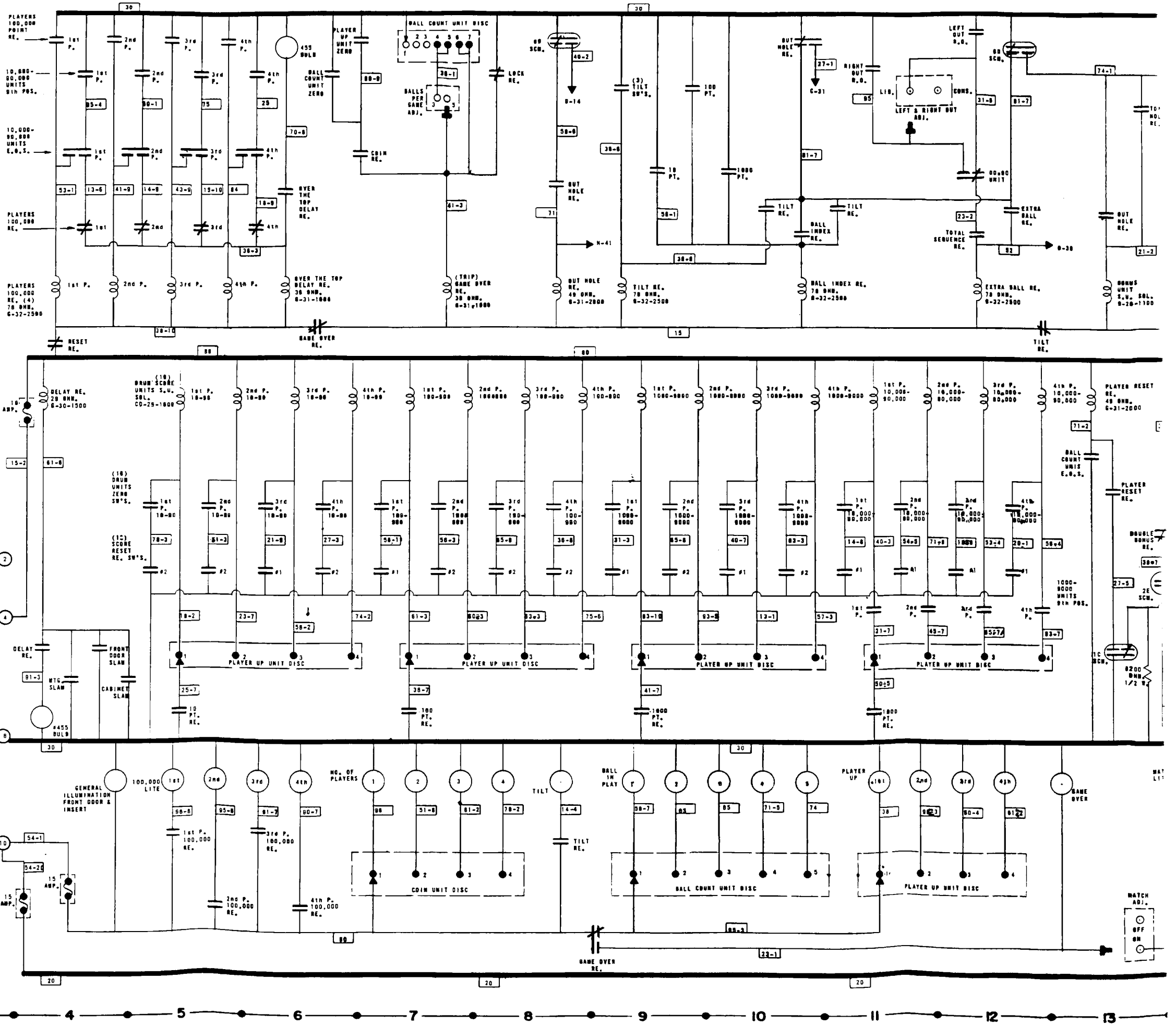
1-RED -R-	6-BROWN -B-
2-BLUE -BLU-	7-ORANGE -O-
3-YELLOW -Y-	8-BLACK -B-
4-GREEN -G-	9-GRAY -G-
5-WHITE -W-	0-NO TRACER
1-JUMPER	

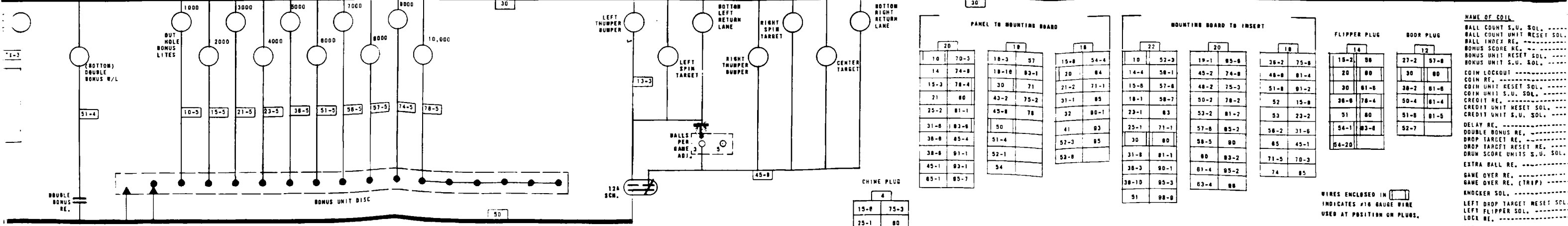
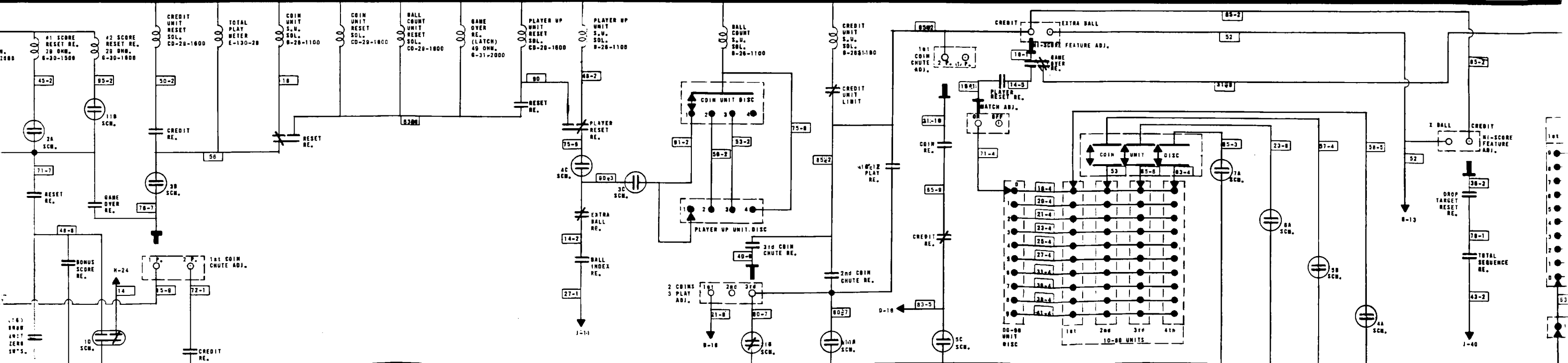
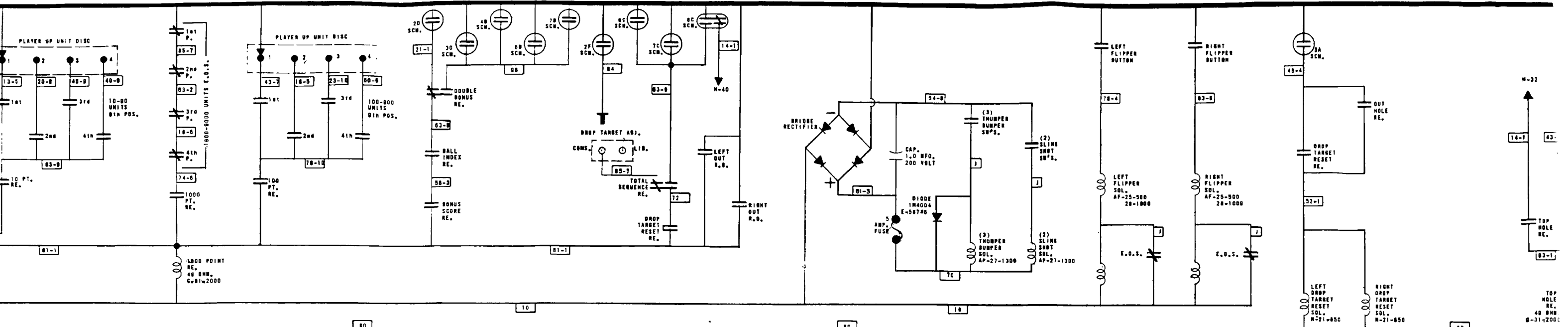
1-FIRST NUMBER - BODY COLOR.
2-SECOND NUMBER - TRACER COLOR.
3-NUMBER AFTER DASH INDICATES RE-USE OF SAME COLOR WIRE.
EXAMPLE: 50 - WHITE
51 - WHITE-RED (USED AGAIN)

ALL INTERLOCK RELAYS ARE IN LATCHED POSITION.

SEQUENCE OF OPERATION OF SCORE MOTOR SWITCHES

POSITIONS	0	1	2	3	4	5	6	7
1								
2								
3								
4								
5								
6								
7								
8								
9								
10								
11								
12								
13								





PANEL TO MOUNTING BOARD

10	70-5
14	74-8
15-3	78-4
21	80
25-2	81-1
31-6	83-6
38-8	85-4
38-8	91-1
45-1	93-1
65-1	95-7

MOUNTING BOARD TO INSERT

18-3	57
18-10	83-1
30	71
43-2	75-2
45-8	78
50	
51-4	
52-1	
54	

10	52-3
14-4	58-1
15-8	57-8
18-1	58-7
23-1	63
25-1	71-1
30	80
31-8	81-1
38-3	90-1
38-10	95-3
51	98-8

FLIPPER PLUG

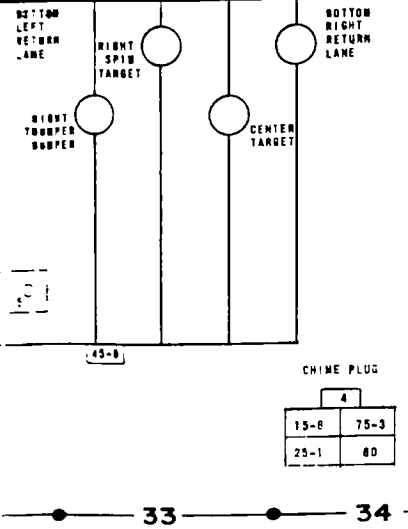
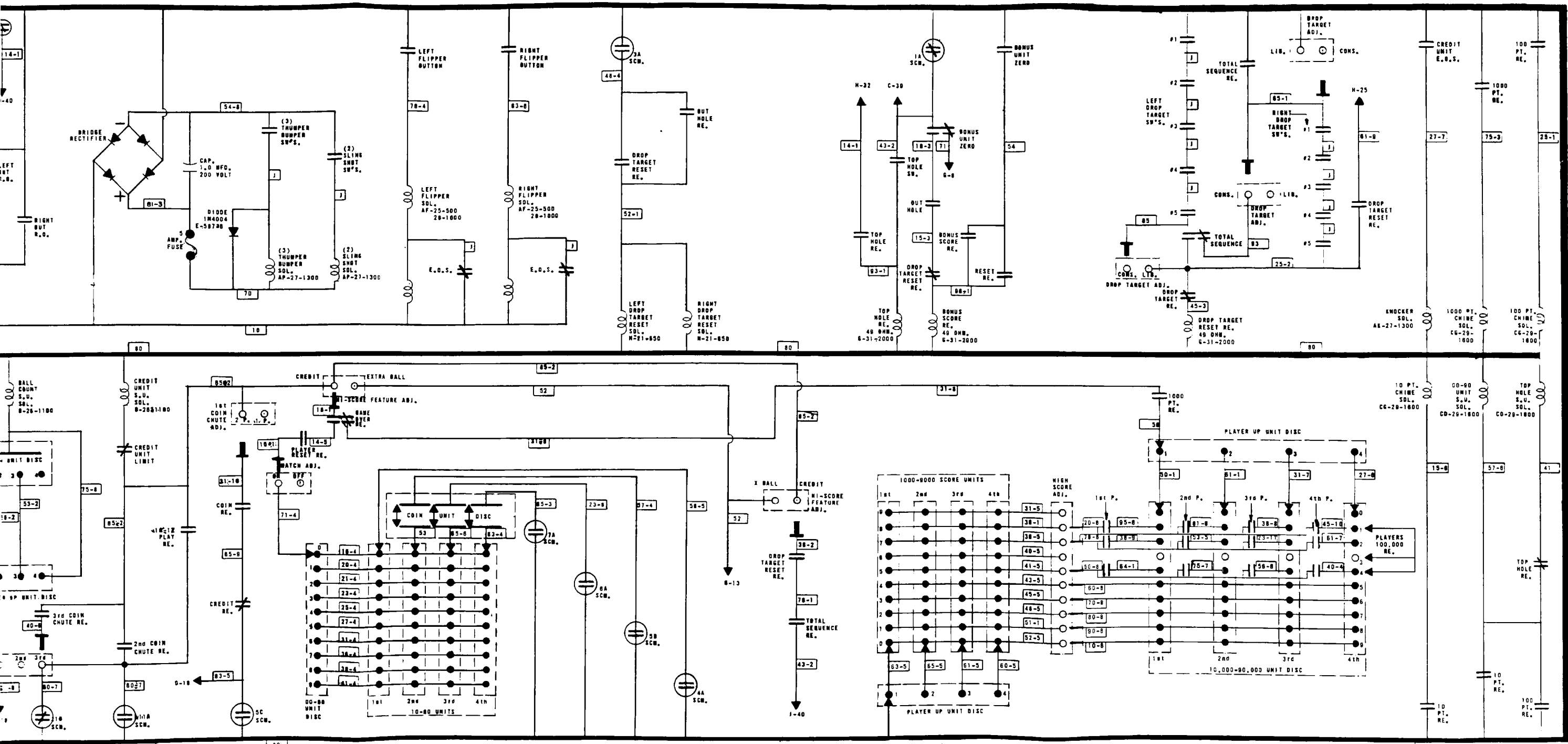
15-2	88
20	80
30	81-8
38-8	78-4
51	80
54-1	83-8
54-20	

BOARD PLUG

27-2	57-8
30	80
38-2	81-8
50-4	81-4
51-8	81-5
52-7	

NAME OF COIL

- BALL COUNT S.U. SOL.
- BALL COUNT UNIT RESET SOL.
- BALL INDEX RE.
- BONUS SCORE RE.
- BONUS UNIT RESET SOL.
- BONUS UNIT S.U. SOL.
- COIN LOCKOUT
- COIN RE.
- COIN UNIT RESET SOL.
- COIN UNIT S.U. SOL.
- CREDIT RE.
- CREDIT UNIT RESET SOL.
- CREDIT UNIT S.U. SOL.
- DELAY RE.
- DOUBLE BONUS RE.
- DROP TARGET RE.
- DROP TARGET RESET RE.
- DRUM SCORE UNITS S.U. SOL.
- EXTRA BALL RE.
- GAME OVER RE.
- GAME OVER RE. (TRIP)
- KNOCKER SOL.
- LEFT DROP TARGET RESET SOL.
- LEFT FLIPPER SOL.
- LOCK RE.
- OVER THE TOP DELAY RE.
- OUT HOLE KICKER SOL.
- OUT HOLE RE.



PANEL TO MOUNTING BOARD			MOUNTING BOARD TO INSERT			FLIPPER PLUG		DOOR PLUG	
10	70-3	18-3	57	10	52-3	18-1	83-8	14	80
14	74-4	18-10	83-1	14-4	56-1	45-2	74-8	20	80
15-2	78-4	30	71	15-8	57-8	48-8	81-4	30	81-8
21	80	43-2	75-2	18-1	58-7	50-2	78-2	38-8	78-4
25-2	81-1	45-8	78	22	80-1	53-2	81-2	51	80
31-8	83-8	50		25-1	71-1	57-8	85-2	54-1	83-8
38-8	85-4	51-4		30	80	58-5	80	54-20	
38-8	81-1	52-1		38-3	80-1	80	83-2		
45-1	83-1	53-8		38-10	85-3	81-4	85-2		
85-1	85-7	54		51	88-8	83-4	88		

WIRES ENCLOSED IN INDICATES #16 GAUGE WIRE USED AT POSITION ON PLUGS.

NAME OF COIL	LOCATION
BALL COUNT S.U. SOL.	F-22
BALL COUNT UNIT RESET SOL.	F-29
BALL INDEX RE.	G-10
BONUS SCORE RE.	G-41
BONUS UNIT RESET SOL.	F-14
BONUS UNIT S.U. SOL.	G-13
COIN LOCKOUT	F-15
COIN RE.	F-16
COIN UNIT RESET SOL.	F-28
COIN UNIT S.U. SOL.	F-28
CREDIT RE.	F-21
CREDIT UNIT RESET SOL.	F-27
CREDIT UNIT S.U. SOL.	F-33
DELAY RE.	F-4
DOUBLE BONUS RE.	G-15
DROP TARGET RE.	G-24
DROP TARGET RESET RE.	G-43
DRUM SCORE UNITS S.U. SOL.	F-5 TO F-13
EXTRA BALL RE.	G-12
GAME OVER RE.	F-30
GAME OVER RE. (TRIP)	G-7
KNOCKER SOL.	G-45
LEFT DROP TARGET RESET SOL.	G-38
LEFT FLIPPER SOL.	G-36
LOCK RE.	F-16
OVER THE TOP DELAY RE.	G-6
OUT HOLE KICKER SOL.	F-15
OUT HOLE RE.	G-8

NAME OF COIL	LOCATION
PLAYER RESET RE.	F-13
PLAYER UP RESET SOL.	F-31
PLAYER UP UNIT S.U. SOL.	F-37
PLAYERS 100,000 RE.	G-4 TO G-6
RESET RE.	F-25
RIGHT DROP TARGET RESET SOL.	G-36
RIGHT FLIPPER SOL.	G-37
SLING SHOT SOL.	G-36
THUMPER BUMPER SOL.	G-35
TILT RE.	G-5
TOP HOLE KICKER SOL.	F-20
TOP HOLE RE.	G-40
TOP HOLE UNIT S.U. SOL.	F-45
TOTAL PLAY METER	F-28
TOTAL SEQUENCE RE.	G-14
2 COINS 3 PLAY RE.	F-24
2ND COIN CHUTE RE.	F-18
3RD COIN CHUTE RE.	F-17
10-12 PLAY RE.	F-16
10 POINT RE.	G-18
100 POINT RE.	G-23
100 POINT RE.	G-23
100 POINT CHIME SOL.	F-45
100 POINT CHIME SOL.	G-45
1000 POINT CHIME SOL.	G-45
#1 SCORE RESET RE.	F-26
#2 SCORE RESET RE.	F-27
80-80 UNIT S.U. SOL.	F-45

"NIGHT RIDER"
W-1042-147
 *1074
4-PLAYER