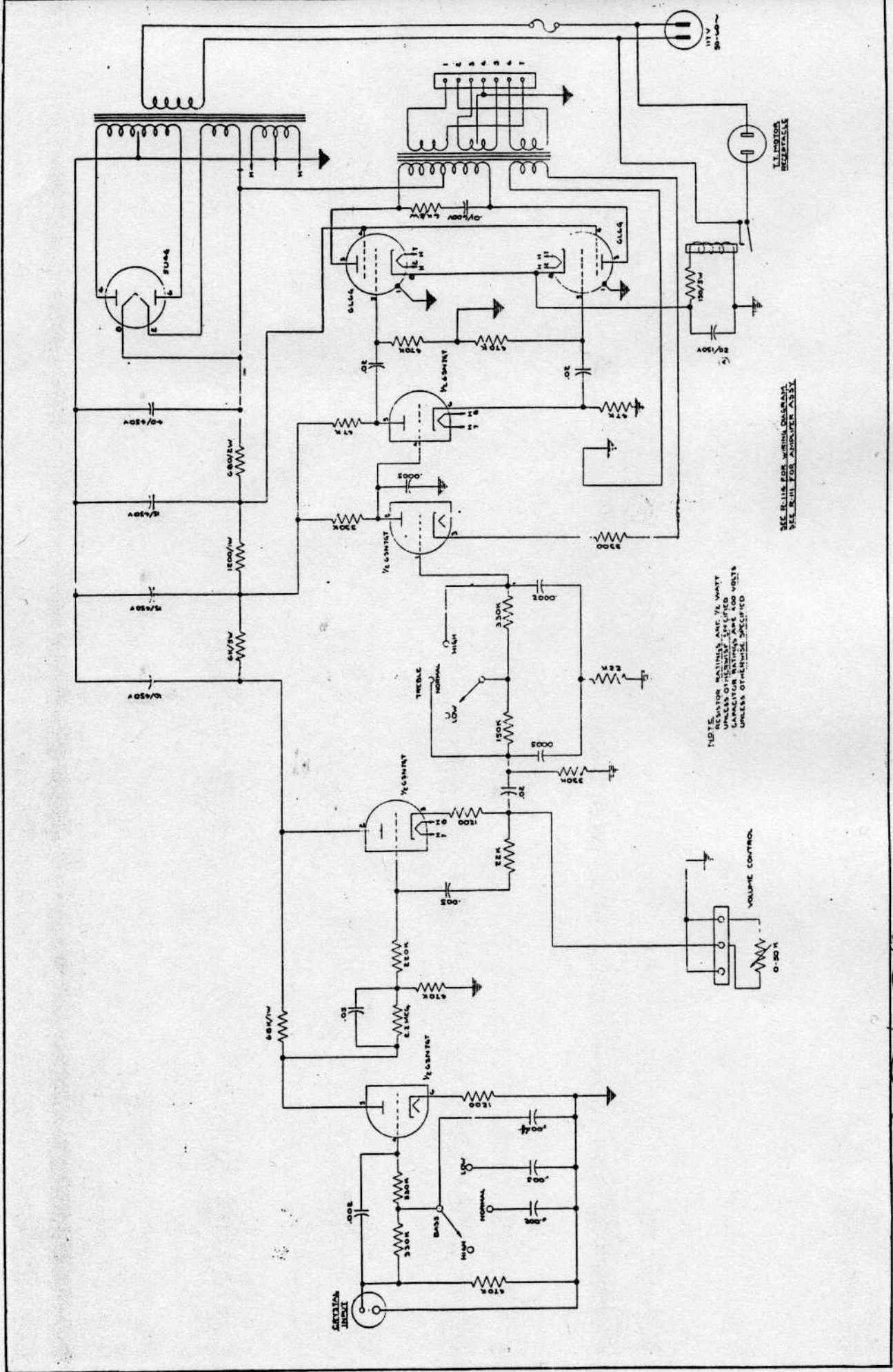


Model D

Fig. 3. R-113 Amplifier Schematic



Model D-40, D-80