

Master-Remote Amplifier, Type MRA3-L6

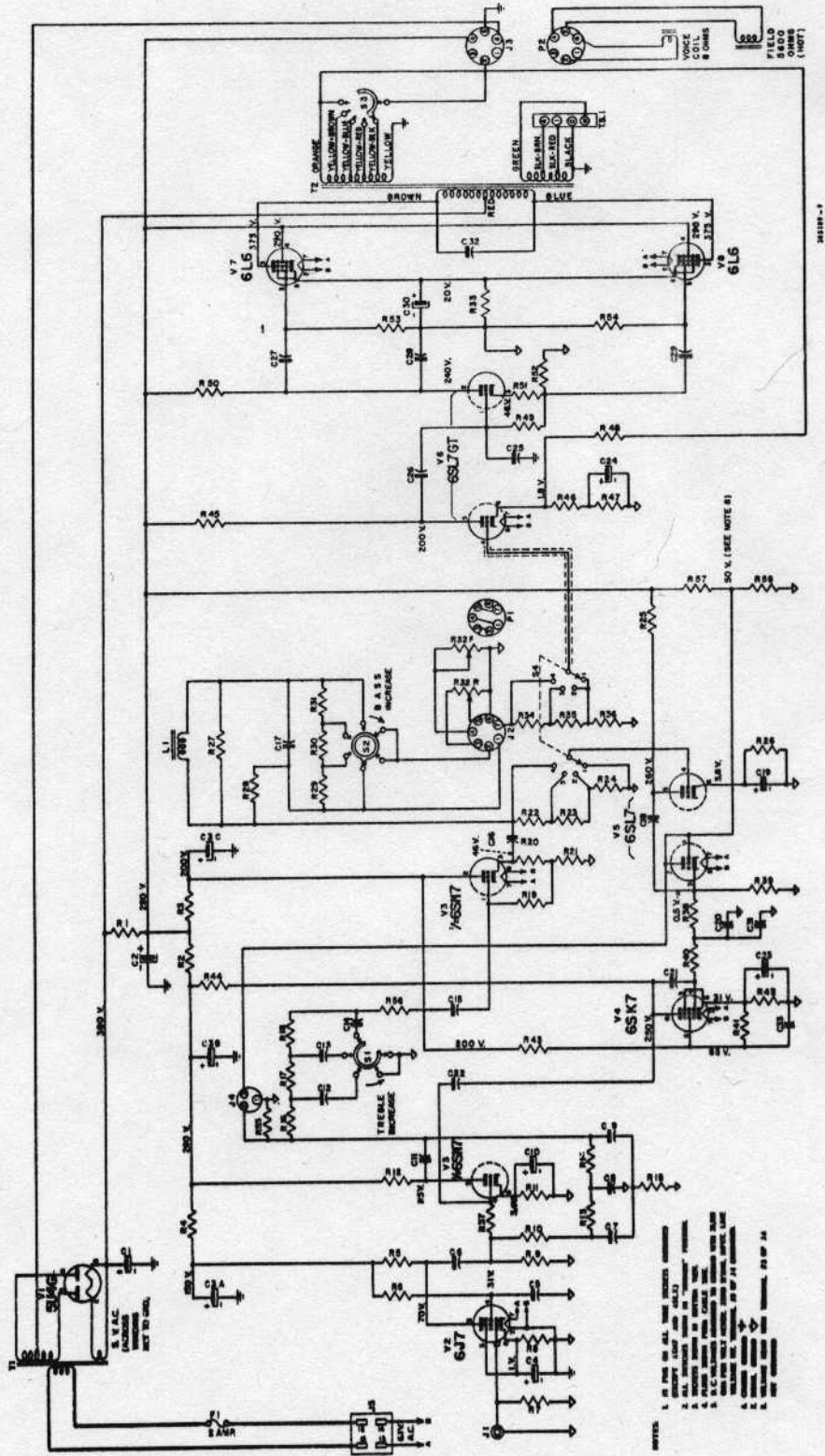


Figure 2. Schematic Diagram - Type MRA3-L6