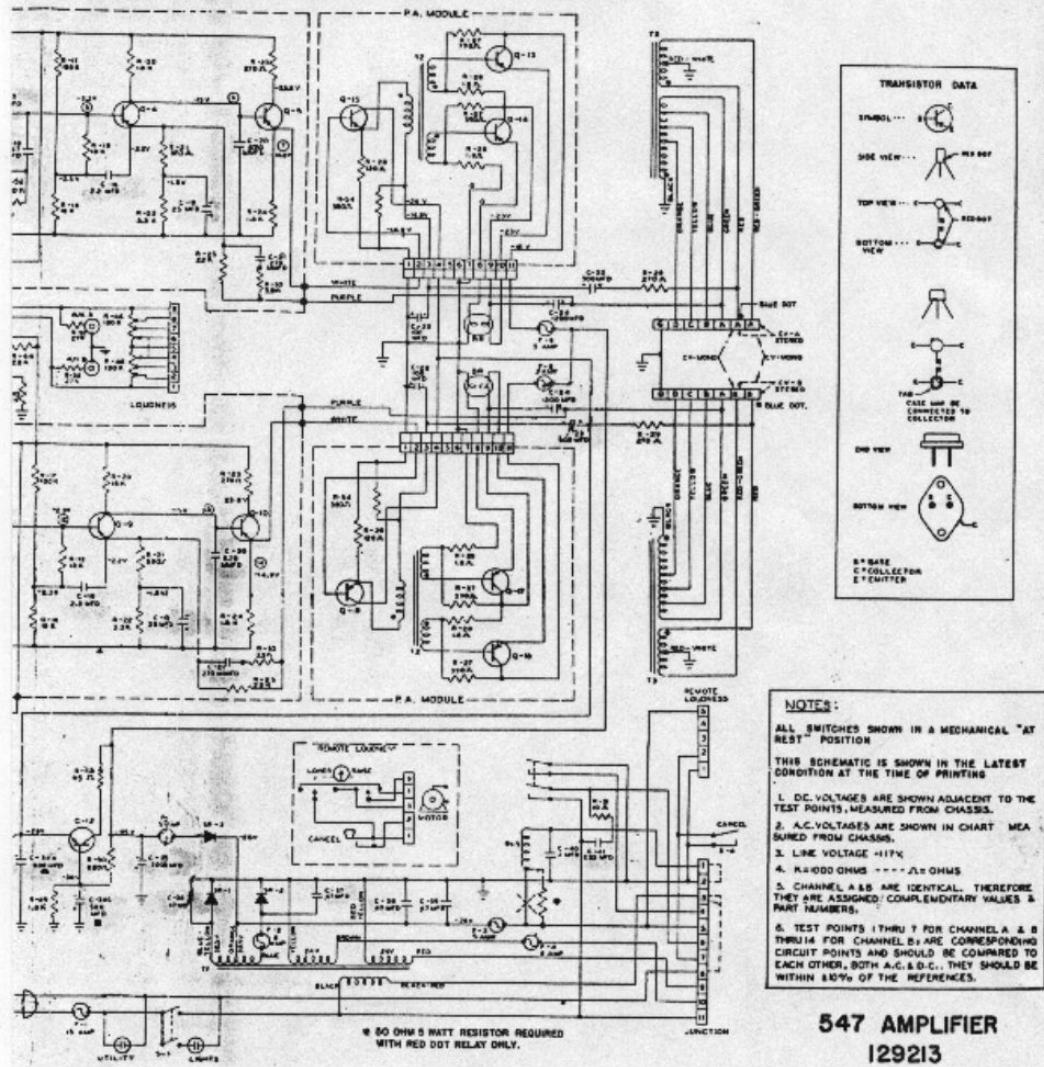


SCHEMATIC - MODEL 547 AMPLIFIER



D SYSTEM SCHEMATIC - MODEL 547 AMPLIFIER