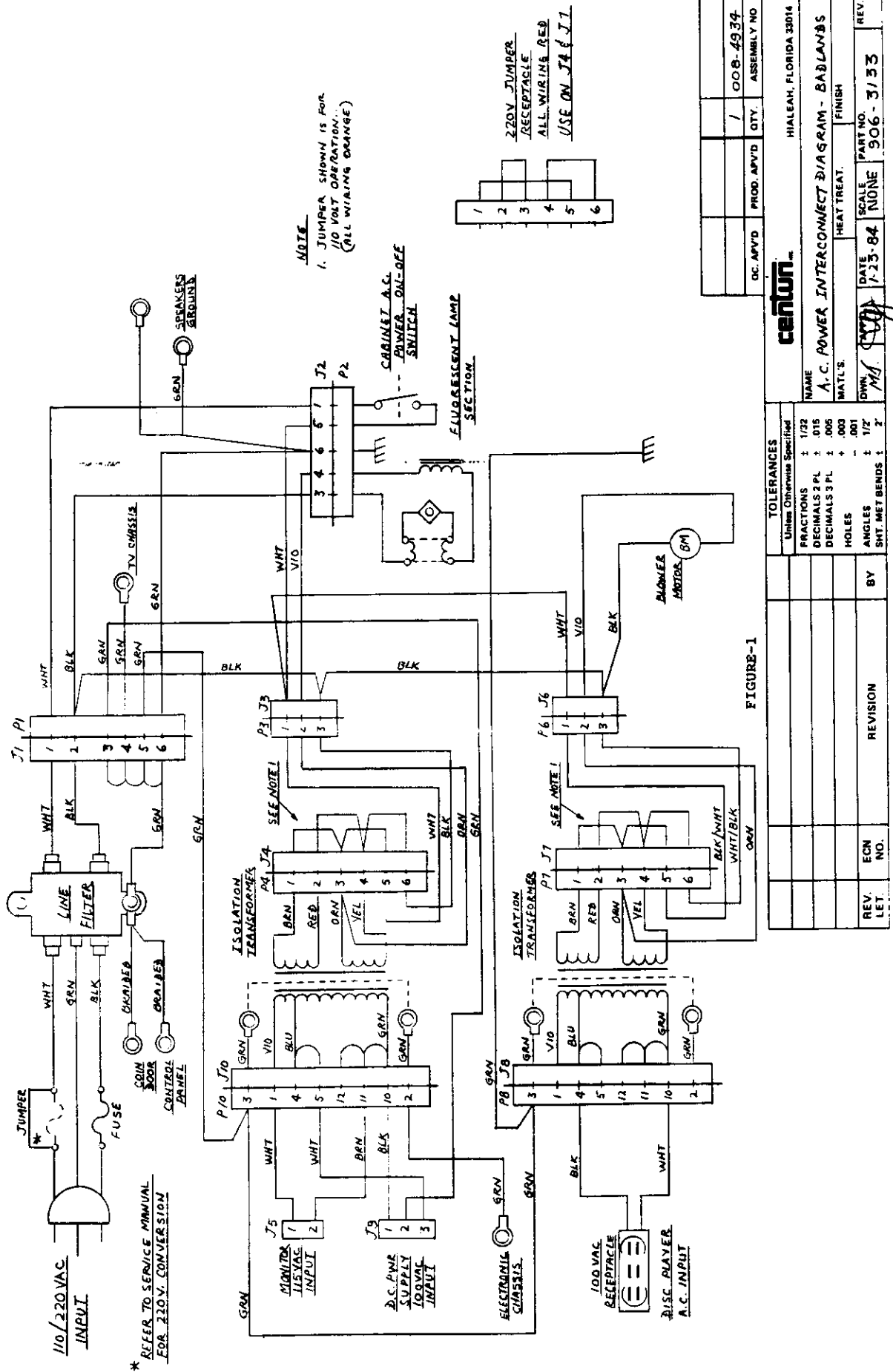


FIGURE-2  
**FRONT VIEW OF CABINET**

THE MATERIAL CONTAINED HEREIN IS CONFIDENTIAL AND NO PART OF IT CAN BE REPRODUCED WITHOUT THE EXPRESSED PERMISSION OF CENTURI, INC.



DC. APVD		PROD. APVD	
QTY.	1	ASSEMBLY NO.	008-4934

**centuri**  
HIALEAH, FLORIDA 33014

NAME	A. C. POWER INTERCONNECT DIAGRAM - BABLANDS
MAT'L'S.	
DWN. BY	M.A. [Signature]
DATE	7-23-84
SCALE	NONE
PART NO.	906-3133
REV.	

TOLERANCES	
Unless Otherwise Specified	
FRACTIONS	± 1/32
DECIMALS 2 PL	± 0.05
DECIMALS 3 PL	± 0.005
HOLES	± 0.003
ANGLES	± 1/2°
SMT. MET BENDS	± 2°

REV. LET.	ECN NO.	REVISION	BY

CABINET FRONT VIEW

PARTS LIST

<u>ITEM</u>	<u>PART NO.</u>	<u>DESCRIPTION</u>
1	302-2705	MARQUEE HOLDING BRACKET
2	802-3116	MARQUEE, BADLANDS
3	302-2862	MARQUEE LOWER HOLDING BRACKET
4	403-1171	SPEAKER, 8 OHM, 6 WATT, 5 $\frac{1}{4}$ IN. RD.
	305-2650	SPEAKER SCREEN
5	302-2863	VIEWING GLASS TOP HOLDING BRACKET
6	801-3100	RIGHT SIDE DECAL, BADLANDS
	801-3101	LEFT SIDE DECAL, BADLANDS
7	804-3135	BLACK PLASTIC BEZEL, 19" MONITOR
8	605-0975	VIEWING GLASS
	406-2063	19" COLOR MONITOR, W/G MODEL 19K4923
9	302-2861	CONTROL PANEL ANGLE BRACKET
10	609-3181	CONTROL PANEL W/OVERLAY, BADLANDS
	801-3103	CONTROL PANEL OVERLAY (ONLY)
11	701-1170	PUSH BUTTON, WHITE
12	701-1171	PUSH BUTTON, RED
	409-1163	LEAF SWITCH W/HOLDER
	103-0951	PAL NUT
13	701-1183	FIRE BUTTON ASS'Y, 3 $\frac{1}{2}$ IN.
14	306-2675	CONTROL PANEL HINGE
15	009-4699	COIN DOOR ASS'Y, COIN CONTROLS #10-3106-00
16	421-0001	LASER DISC PLAYER, PIONEER LD-V1001
	421-0002	VIDEO DISC, BADLANDS
17	416-1662	FAN MOTOR, 4.5 IN., 115V. 12W. ( LOCATED ON REAR OF CABINET)
18	402-1511	A.C. POWER CORD, 12 FT.

EXPLODED VIEW  
CONTROL PANEL

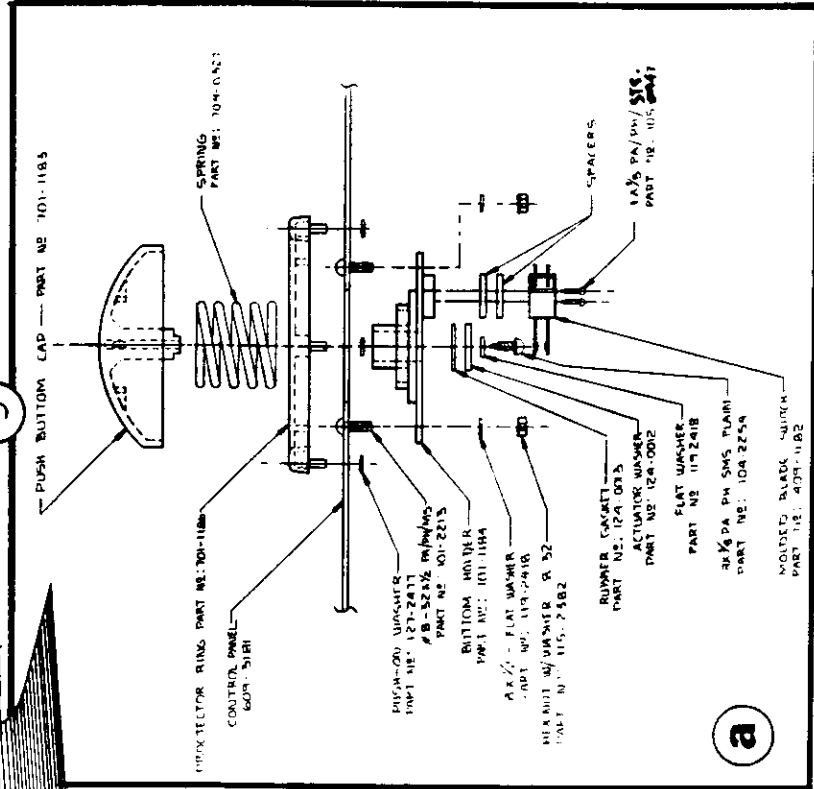
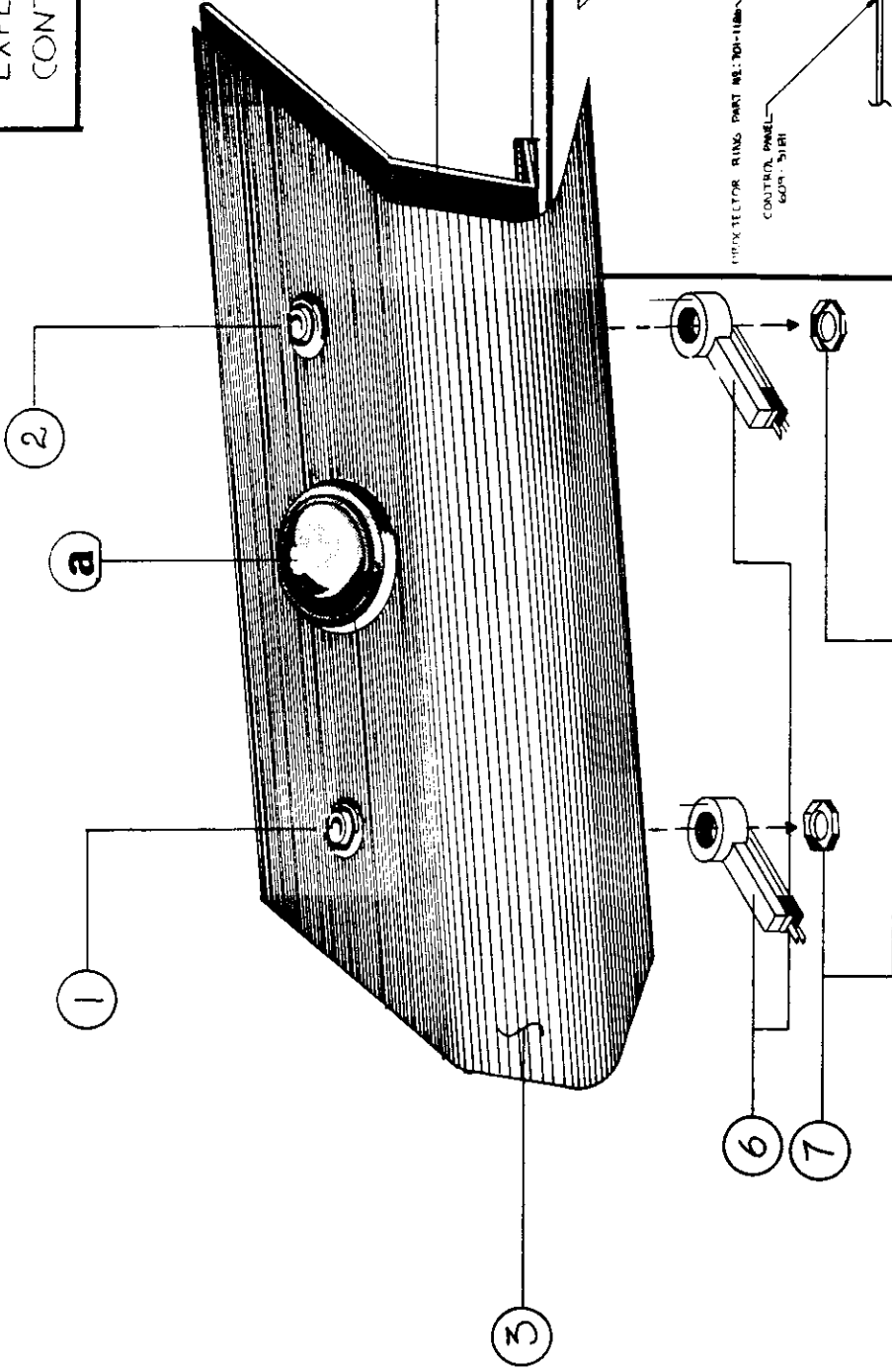
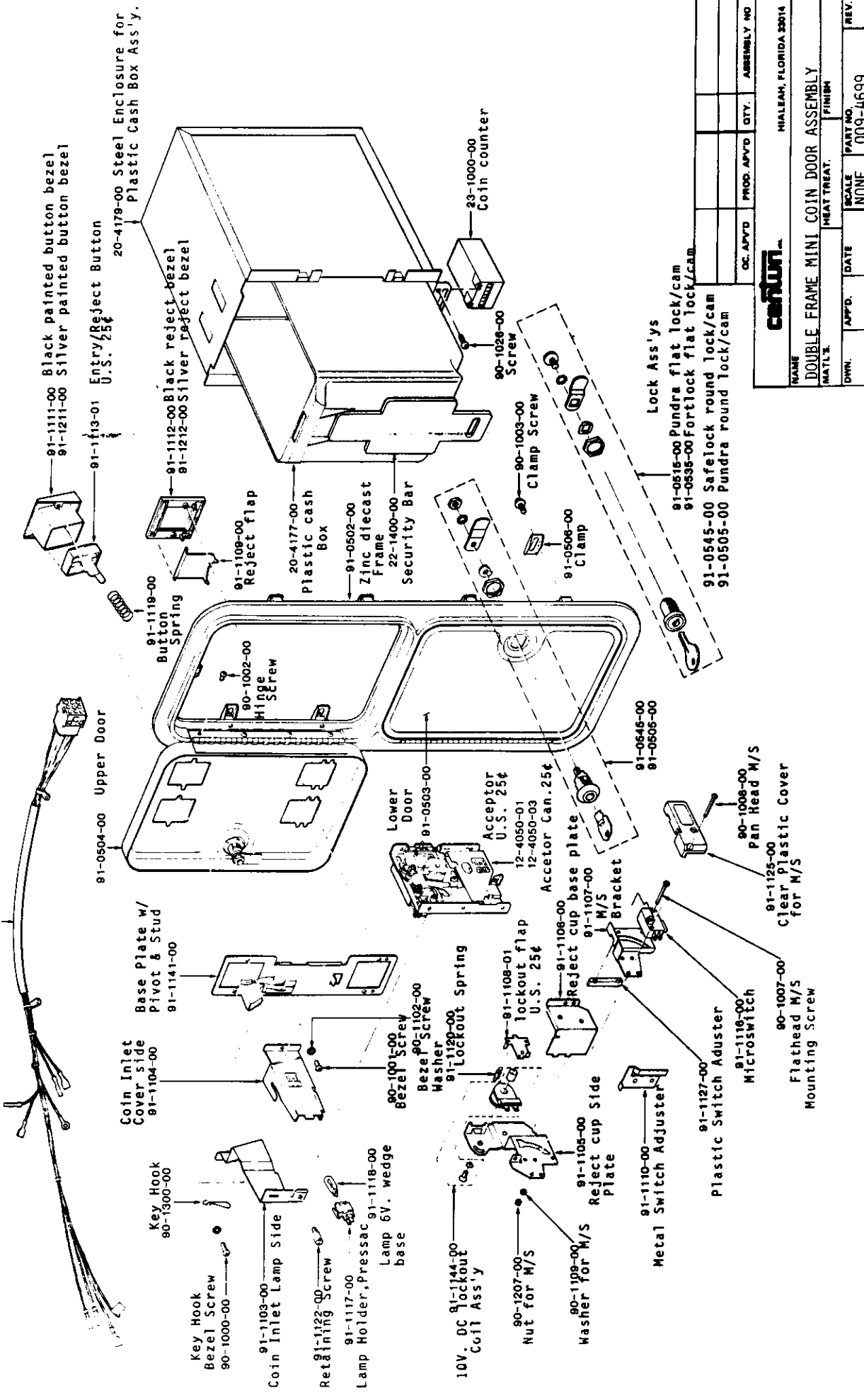


FIGURE-3

<b>a</b>	701-1183	FIRE BUTTON ASS'Y
1	701-1170	PUSH BUTTON, WHITE
2	701-1171	PUSH BUTTON, RED
3	201-3103	CNTRL PANEL OVERLAY
4	301-2530	CNTRL PANEL
5	306-2675	HINGE
6	409-1163	SWITCH W/HOLDER
7	103-0951	PAL NUT

FIGURE 4

24-1150-00 Wire Harness



DWN.	APP'D.	DATE	SCALE	PART NO.	REV.
			NONE	009-4699	

OC. APVD	PROC. APVD	QTY.	ASSEMBLY NO.

			HIALEAH, FLORIDA 33014
NAME			
DOUBLE FRAME MINI COIN DOOR ASSEMBLY			
MATERIALS			
HEAT TREAT. FINISH			

THE MATERIAL CONTAINED HEREIN IS CONFIDENTIAL AND NO PART OF IT CAN BE REPRODUCED WITHOUT THE EXPRESSED PERMISSION OF CENTURI, INC.

1	GRND
2	LEFT COIN
3	RIGHT COIN
4	+5 VOLTS
5	COUNTER
6	SERVICE
7	-5 VOLTS
8	GRND
9	

9 PIN MOLEX RECEPTICLE  
P/N 03-09-1091  
PART OF CPU HARNESS

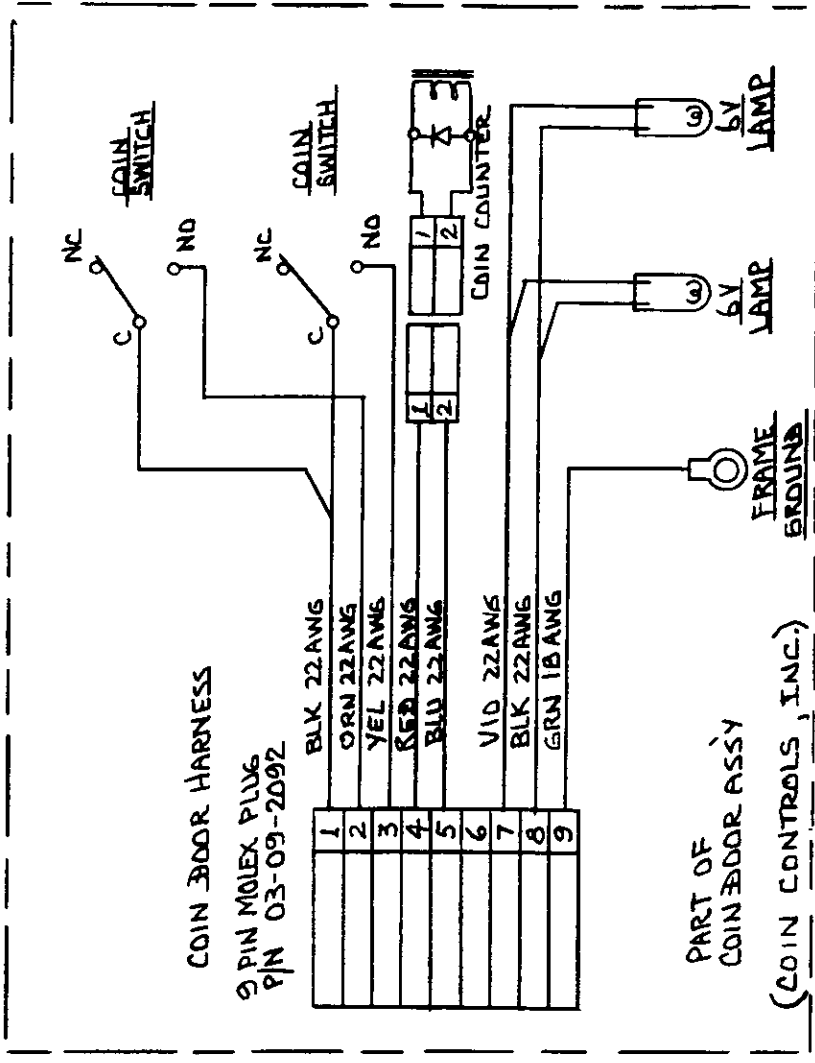


FIGURE-5

TOLERANCES Unless Otherwise Specified		HIALEAH, FLORIDA 33014	
FRACTIONS	± 1/32	QC. APV'D	PROD. APV'D
DECIMALS 2 PL	± .015	QTY.	ASSEMBLY NO
DECIMALS 3 PL	± .005	NAME	
HOLES	± .003	CENTURI INC.	
ANGLES	± .001	BLE FRAME MINI - COIN DOOR WIRING DIAGRAM	
SHT. MET BENDS	± 1/2"	MATERIALS	
REVISION	BY	HEAT TREAT. FINISH	
ECN NO.		APPR	DATE
REV. LET.		11-30-83	SCALE
		PART NO.	REV.

THE MATERIAL CONTAINED HEREIN IS CONFIDENTIAL AND NO PART OF IT CAN BE REPRODUCED WITHOUT THE EXPRESSED PERMISSION OF CENTURI, INC.

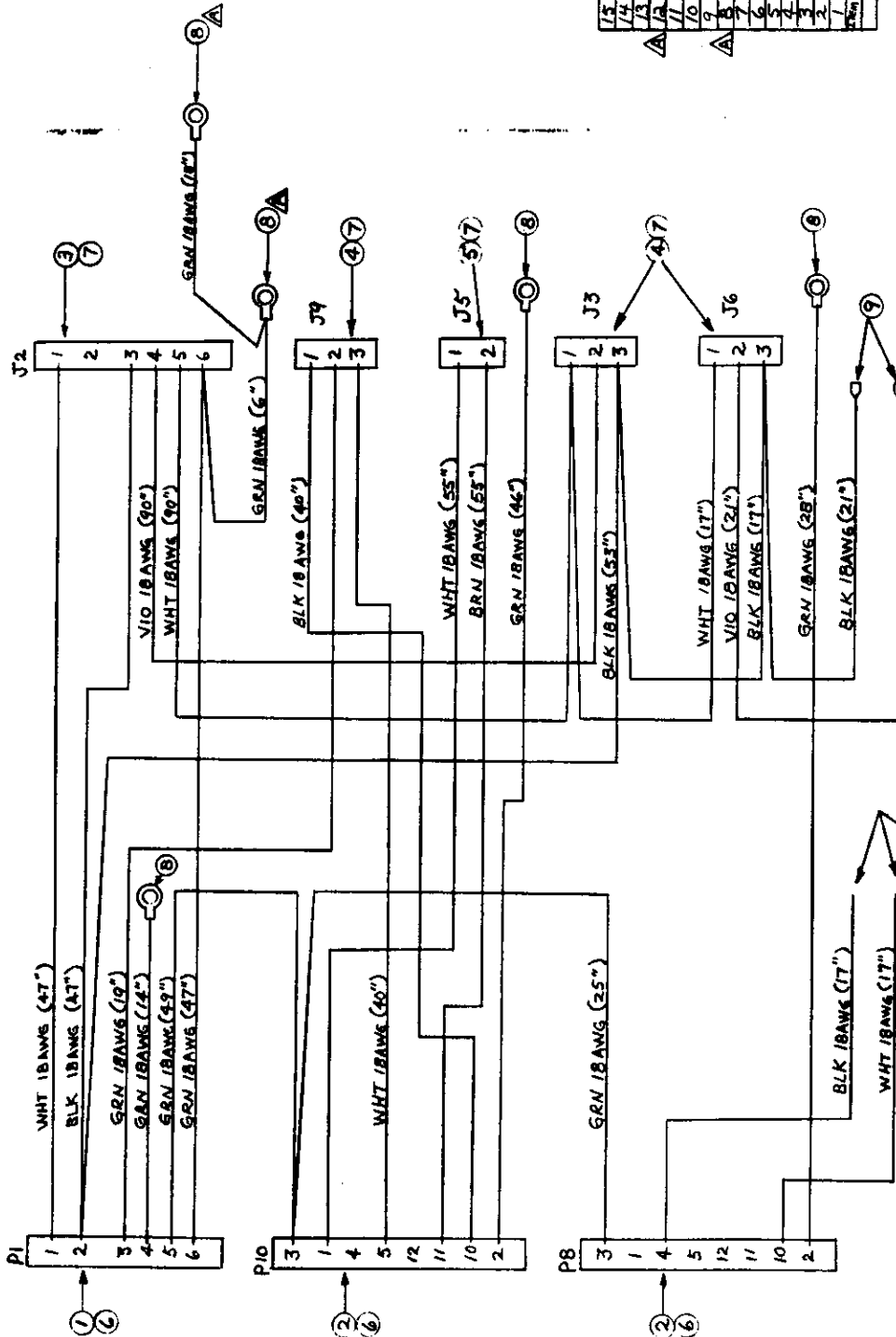


FIGURE-6

STRIP INSULATION OFF 1" ±  
TIN WIRE ENDS

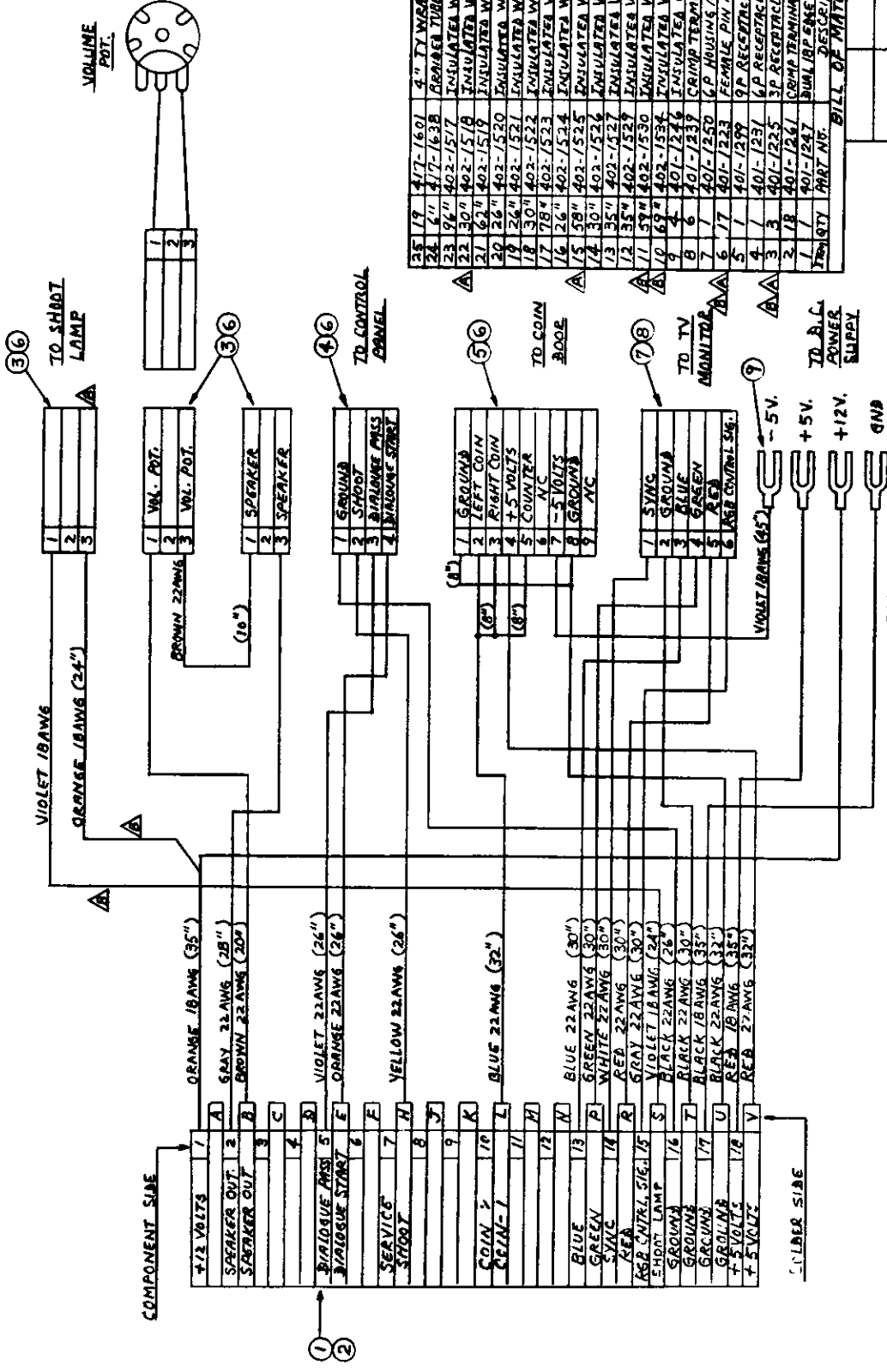
QTY	PART NO.	DESCRIPTION
15	417-1401	4" TY WIRE
14	557	INSULATED WIRE 18 AWG, RED/WH
13	1111	INSULATED WIRE 18 AWG, VIOLET
12	1353	INSULATED WIRE 18 AWG, GREEN
11	1957	INSULATED WIRE 18 AWG, BLACK
10	2467	INSULATED WIRE 18 AWG, WHITE
9	401-1330	INSULATED WIRE 18 AWG, WHITE
8	401-1330	INSULATED WIRE 18 AWG, WHITE
7	401-1330	INSULATED WIRE 18 AWG, WHITE
6	401-1330	INSULATED WIRE 18 AWG, WHITE
5	401-1330	INSULATED WIRE 18 AWG, WHITE
4	401-1330	INSULATED WIRE 18 AWG, WHITE
3	401-1330	INSULATED WIRE 18 AWG, WHITE
2	401-1330	INSULATED WIRE 18 AWG, WHITE
1	401-1330	INSULATED WIRE 18 AWG, WHITE

TOLERANCES Unless Otherwise Specified	
FRACTIONS	± 1/32
DECIMALS	± .015
DECIMALS PL	± .005
HOLE	± .001
ANGLES	± 1/2°
BKT. MET BENDS	± 2°

REV. LET.	NO.	REVISION	BY
A	1	ADDED CHANGE OF TERMINALS (A, B, C, D, E, F, G, H, I, J, K, L, M, N, O, P, Q, R, S, T, U, V, W, X, Y, Z, AA, AB, AC, AD, AE, AF, AG, AH, AI, AJ, AK, AL, AM, AN, AO, AP, AQ, AR, AS, AT, AU, AV, AW, AX, AY, AZ, BA, BB, BC, BD, BE, BF, BG, BH, BI, BJ, BK, BL, BM, BN, BO, BP, BQ, BR, BS, BT, BU, BV, BW, BX, BY, BZ, CA, CB, CC, CD, CE, CF, CG, CH, CI, CJ, CK, CL, CM, CN, CO, CP, CQ, CR, CS, CT, CU, CV, CW, CX, CY, CZ, DA, DB, DC, DD, DE, DF, DG, DH, DI, DJ, DK, DL, DM, DN, DO, DP, DQ, DR, DS, DT, DU, DV, DW, DX, DY, DZ, EA, EB, EC, ED, EE, EF, EG, EH, EI, EJ, EK, EL, EM, EN, EO, EP, EQ, ER, ES, ET, EU, EV, EW, EX, EY, EZ, FA, FB, FC, FD, FE, FF, FG, FH, FI, FJ, FK, FL, FM, FN, FO, FP, FQ, FR, FS, FT, FU, FV, FW, FX, FY, FZ, GA, GB, GC, GD, GE, GF, GG, GH, GI, GJ, GK, GL, GM, GN, GO, GP, GQ, GR, GS, GT, GU, GV, GW, GX, GY, GZ, HA, HB, HC, HD, HE, HF, HG, HH, HI, HJ, HK, HL, HM, HN, HO, HP, HQ, HR, HS, HT, HU, HV, HW, HX, HY, HZ, IA, IB, IC, ID, IE, IF, IG, IH, II, IJ, IK, IL, IM, IN, IO, IP, IQ, IR, IS, IT, IU, IV, IW, IX, IY, IZ, JA, JB, JC, JD, JE, JF, JG, JH, JI, JJ, JK, JL, JM, JN, JO, JP, JQ, JR, JS, JT, JU, JV, JW, JX, JY, JZ, KA, KB, KC, KD, KE, KF, KG, KH, KI, KJ, KK, KL, KM, KN, KO, KP, KQ, KR, KS, KT, KU, KV, KW, KX, KY, KZ, LA, LB, LC, LD, LE, LF, LG, LH, LI, LJ, LK, LL, LM, LN, LO, LP, LQ, LR, LS, LT, LU, LV, LW, LX, LY, LZ, MA, MB, MC, MD, ME, MF, MG, MH, MI, MJ, MK, ML, MM, MN, MO, MP, MQ, MR, MS, MT, MU, MV, MW, MX, MY, MZ, NA, NB, NC, ND, NE, NF, NG, NH, NI, NJ, NK, NL, NM, NN, NO, NP, NQ, NR, NS, NT, NU, NV, NW, NX, NY, NZ, OA, OB, OC, OD, OE, OF, OG, OH, OI, OJ, OK, OL, OM, ON, OO, OP, OQ, OR, OS, OT, OU, OV, OW, OX, OY, OZ, PA, PB, PC, PD, PE, PF, PG, PH, PI, PJ, PK, PL, PM, PN, PO, PP, PQ, PR, PS, PT, PU, PV, PW, PX, PY, PZ, QA, QB, QC, QD, QE, QF, QG, QH, QI, QJ, QK, QL, QM, QN, QO, QP, QQ, QR, QS, QT, QU, QV, QW, QX, QY, QZ, RA, RB, RC, RD, RE, RF, RG, RH, RI, RJ, RK, RL, RM, RN, RO, RP, RQ, RR, RS, RT, RU, RV, RW, RX, RY, RZ, SA, SB, SC, SD, SE, SF, SG, SH, SI, SJ, SK, SL, SM, SN, SO, SP, SQ, SR, SS, ST, SU, SV, SW, SX, SY, SZ, TA, TB, TC, TD, TE, TF, TG, TH, TI, TJ, TK, TL, TM, TN, TO, TP, TQ, TR, TS, TT, TU, TV, TW, TX, TY, TZ, UA, UB, UC, UD, UE, UF, UG, UH, UI, UJ, UK, UL, UM, UN, UO, UP, UQ, UR, US, UT, UY, UZ, VA, VB, VC, VD, VE, VF, VG, VH, VI, VJ, VK, VL, VM, VN, VO, VP, VQ, VR, VS, VT, VU, VV, VW, VX, VY, VZ, WA, WB, WC, WD, WE, WF, WG, WH, WI, WJ, WK, WL, WM, WN, WO, WP, WQ, WR, WS, WT, WU, WV, WW, WX, WY, WZ, XA, XB, XC, XD, XE, XF, XG, XH, XI, XJ, XK, XL, XM, XN, XO, XP, XQ, XR, XS, XT, XU, XV, XW, XX, XY, XZ, YA, YB, YC, YD, YE, YF, YG, YH, YI, YJ, YK, YL, YM, YN, YO, YP, YQ, YR, YS, YT, YU, YV, YW, YX, YY, YZ, ZA, ZB, ZC, ZD, ZE, ZF, ZG, ZH, ZI, ZJ, ZK, ZL, ZM, ZN, ZO, ZP, ZQ, ZR, ZS, ZT, ZU, ZV, ZW, ZX, ZY, ZZ	

THE MATERIAL CONTAINED HEREIN IS CONFIDENTIAL AND NO PART OF IT CAN BE REPRODUCED WITHOUT THE EXPRESSED PERMISSION OF CENTURI, INC.



35	19	417-1601	4" TV WRAPS
24	4"	417-1638	BRASS TIRE CTRL CLR. PL. W. BRASS
23	16"	402-1517	INSULATED WIRE 22AWG, BLACK
22	30"	402-1518	INSULATED WIRE 22AWG, GREEN
21	62"	402-1519	INSULATED WIRE 22AWG, BRN
20	26"	402-1520	INSULATED WIRE 22AWG, ORANGE
19	26"	402-1521	INSULATED WIRE 22AWG, YELLOW
18	30"	402-1522	INSULATED WIRE 22AWG, GREEN
17	78"	402-1523	INSULATED WIRE 22AWG, BLUE
16	26"	402-1524	INSULATED WIRE 22AWG, VIOLET
15	58"	402-1525	INSULATED WIRE 22AWG, GRAY
14	30"	402-1526	INSULATED WIRE 22AWG, WHITE
13	35"	402-1527	INSULATED WIRE 18AWG, BLACK
12	35"	402-1529	INSULATED WIRE 18AWG, RED
11	57"	402-1530	INSULATED WIRE 18AWG, ORANGE
10	69"	402-1534	INSULATED WIRE 18AWG, VIOLET
9	6	401-1246	INSULATED WIRE 18AWG, VIOLET
8	6	401-1239	CRIMP TERMINAL MOLEX #03-09-106
7	1	401-1239	FEMALE PIN MOLEX #03-09-106
6	17	401-1239	9P RECEPTACLE MOLEX #03-09-109
5	1	401-1231	6P RECEPTACLE MOLEX #03-09-106
4	3	401-1235	CRIMP TERMINAL MOLEX #03-03-030
3	18	401-1241	DUAL IN LINE DMM. AMLEX #03-50-5185
2	1		DESCRIPTION
1			BILL OF MATERIALS

REV. LET.	NO.	BY	REVISION
B	03		100% OF STOPS 3.5 18" WIRE 2
A	03		46 WAS 15" WIRE 40" WIRE 35"
			80% OF STOPS 2.5 18" WIRE 2
			46 WAS 15" WIRE 40" WIRE 35"
			80% OF STOPS 2.5 18" WIRE 2
			46 WAS 15" WIRE 40" WIRE 35"
			80% OF STOPS 2.5 18" WIRE 2
			46 WAS 15" WIRE 40" WIRE 35"

REV. NO.	BY	REVISION
008	MJ	100% OF STOPS 3.5 18" WIRE 2
007	MJ	46 WAS 15" WIRE 40" WIRE 35"
006	MJ	80% OF STOPS 2.5 18" WIRE 2
005	MJ	46 WAS 15" WIRE 40" WIRE 35"
004	MJ	80% OF STOPS 2.5 18" WIRE 2
003	MJ	46 WAS 15" WIRE 40" WIRE 35"
002	MJ	80% OF STOPS 2.5 18" WIRE 2
001	MJ	46 WAS 15" WIRE 40" WIRE 35"

NAME: CPU WIRE HARNESS - BABBLANDS

DATE: 3-1-84

SCALE: NONE

PART NO.: 008-4937

REV. B

FIGURE-7

OC. APVD. PROD. APVD. QTY. ASSEMBLY NO.

centuri

MIAMI, FLORIDA 33014



THE MATERIAL CONTAINED HEREIN IS CONFIDENTIAL AND NO PART OF IT CAN BE REPRODUCED WITHOUT THE EXPRESSED PERMISSION OF CENTURI, INC.

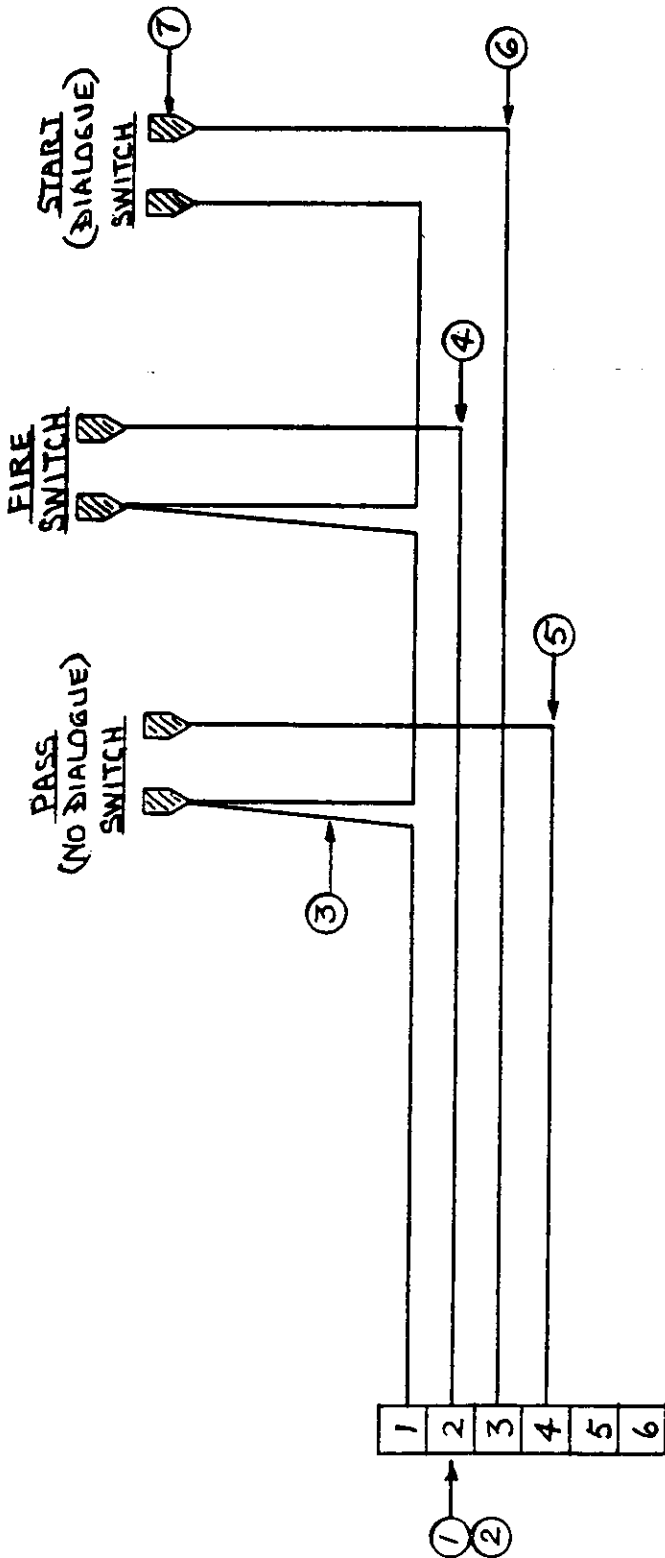


FIGURE-8

QTY	PART NOS.	DESCRIPTION	QTY	PART NOS.	DESCRIPTION	
4	33"	402-1521	INSULATED WIRE, 22AWG, YELLOW	5	417-1601	4" TY WRAPS
3	48%	402-1517	" " " BLACK	7	401-1302	3/16" PUSH ON TERMINAL ETC #895
2	4	401-1222	MALE PIN MOLEX #02-09-2116	6	37" 402-1520	INSULATED WIRE, 22AWG, ORANGE
1	1	401-1229	6 PIN PLUG MOLEX #03-09-2061	5	25% 402-1524	" " " VIOLET
REV. LET.		ECN NO.	REVISION	BY		

TOLERANCES		UNLESS OTHERWISE SPECIFIED	
FRACTIONS	±	1/32	
DECIMALS 2 PL	±	.015	
DECIMALS 3 PL	±	.005	
HOLE	±	.003	
ANGLES	±	1/2°	
SHT. MET BENDS	±	2°	

CENTURI		HIALEAH, FLORIDA 33014	
NAME CONTROL PANEL HARNESS - BABLANDS			
MATERIALS HEAT TREAT. FINISH			
APP'D. DATE	SCALE	PART NO.	REV.
MS 2-2-84	NONE	008-4935	
OC. APV'D	PROD. APV'D	QTY.	ASSEMBLY NO
		1	

47 1789A

THE MATERIAL CONTAINED HEREIN IS CONFIDENTIAL AND NO PART OF IT CAN BE REPRODUCED WITHOUT THE EXPRESSED PERMISSION OF CENTURI, INC.

BILL OF MATERIALS

ITEM	QTY.	PART NUMBER	DESCRIPTION
1	1	401-1404	ZAP PLUG AMPHENDL # 5130240
2	75"	402-1304	ZG CONDUCTOR ZZAWIG FLAT CABLE ANSLEY # 171-2
3	1	401-1405	Z6 P PLUG SCOTCFLEX # 3399-600

AMPHENDL CONNECTOR PIN #	FLAT CABLE CONNECTOR PIN #
16	1
12	2
15	3
12	4
14	5
23	6
13	7
24	8
4	9
18	10
3	11
19	12
2	13
20	14
1	15
21	16
7	17
22	18
17	19
23	20
11	21
18	22
19	23
20	24
21	25
22	26

BOTTOM VIEW

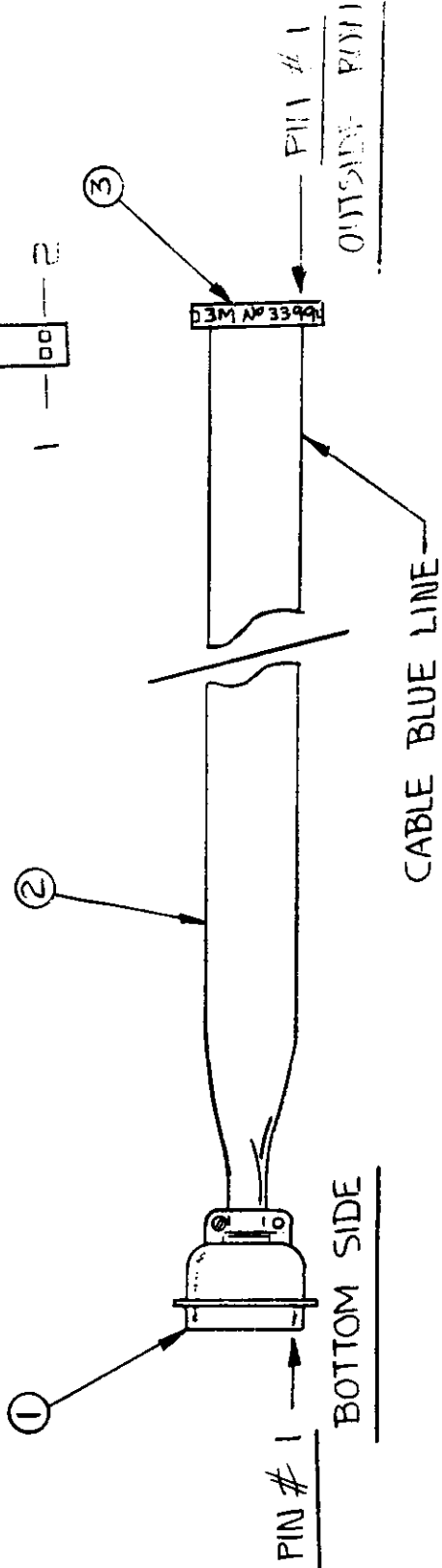
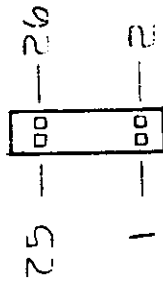


FIGURE-9

OC. APV'D	PROD. APV'D	QTY.	ASSEMBLY NO
		1	

<b>centuri</b> INC		HIALEAH, FLORIDA 33014	
NAME CPU TO DISC PLAYER, RIBBON CABLE ASSY.			
MATERIALS		HEAT TREAT. FINISH	
DWN. L.A.	APP'D <i>[Signature]</i>	DATE 1-30-84	PART NO. 008-4936
REV. LET.	ECN NO.	REVISION	BY

TOLERANCES	
Unless Otherwise Specified	
FRACTIONS	± 1/32
DECIMALS 2 PL	± .015
DECIMALS 3 PL	± .005
HOLES	+ .003
ANGLES	- .001
SHT. MET BENDS	± 1/2°

THE MATERIAL CONTAINED HEREIN IS CONFIDENTIAL AND NO PART OF IT CAN BE REPRODUCED WITHOUT THE EXPRESSED PERMISSION OF CENTURI, INC.

**AMPHENOL CONNECTOR**

PIN NO.	SIGNAL LINE
1	B101
2	B102
3	B103
4	B104
5	NC
6	NC
7	COMMAND REQUEST *
8	NC
9	NC
10	NC
11	STATUS STROBE *
12	GNB
13	B105
14	B106
15	B107
16	B108
17	ENTER SIGNAL
18	GNB
19	GNB
20	GNB
21	GNB
22	GNB
23	GNB
24	GNB

\* WARNING: DO NOT SHORT TO GROUND.



**FLAT CABLE CONNECTOR (26P)**

PIN NO.	SIGNAL LINE
1	B108
2	GNB
3	B107
4	GNB
5	B106
6	GNB
7	B105
8	GNB
9	B104
10	GNB
11	B103
12	GNB
13	B102
14	GNB
15	B101
16	GNB
17	COMMAND REQUEST
18	GNB
19	ENTER SIGNAL
20	GNB
21	STATUS STROBE
22	GNB
23	GNB
24	GNB
25	GNB
26	GNB

**PIN LAYOUT**



FLAT CABLE CONNECTOR (26P)  
3M SCOTCHFLEX 3399-6000

**AMPHENOL CONNECTOR (24P)  
(57-30240)**

**PIN LAYOUT - FRONT VIEW**

1 2 3 4 5 6 7 8 9 10 11 12

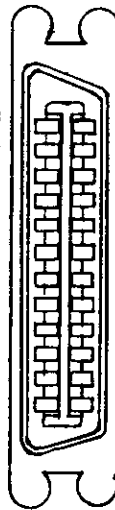


FIGURE-10

OC. APV'D	PROD. APV'D	QTY.	ASSEMBLY NO.

**centuri** inc.

HIALEAH, FLORIDA 33014

**NAME**

RIBBON CABLE ASSY - INFORMATION DRAWING -

**MAT'L'S.**

HEAT TREAT.

FINISH

**DWN.**

APP'D. *[Signature]*

**DATE**

1-30-84

**SCALE**

NDNE

**PART NO.**

**REV.**

REV. LET.	ECN NO.	REVISION	BY	TOLERANCES	
				Unless Otherwise Specified	
				FRACTIONS	± 1/32
				DECIMALS 2 PL	± .015
				DECIMALS 3 PL	± .005
				HOLES	+ .003
				ANGLES	- .001
				SHT. MET BENDS	± 1/2°
					± 2'

THE MATERIAL CONTAINED HEREIN IS CONFIDENTIAL AND NO PART OF IT CAN BE REPRODUCED WITHOUT THE EXPRESSED PERMISSION OF CENTURI, INC.

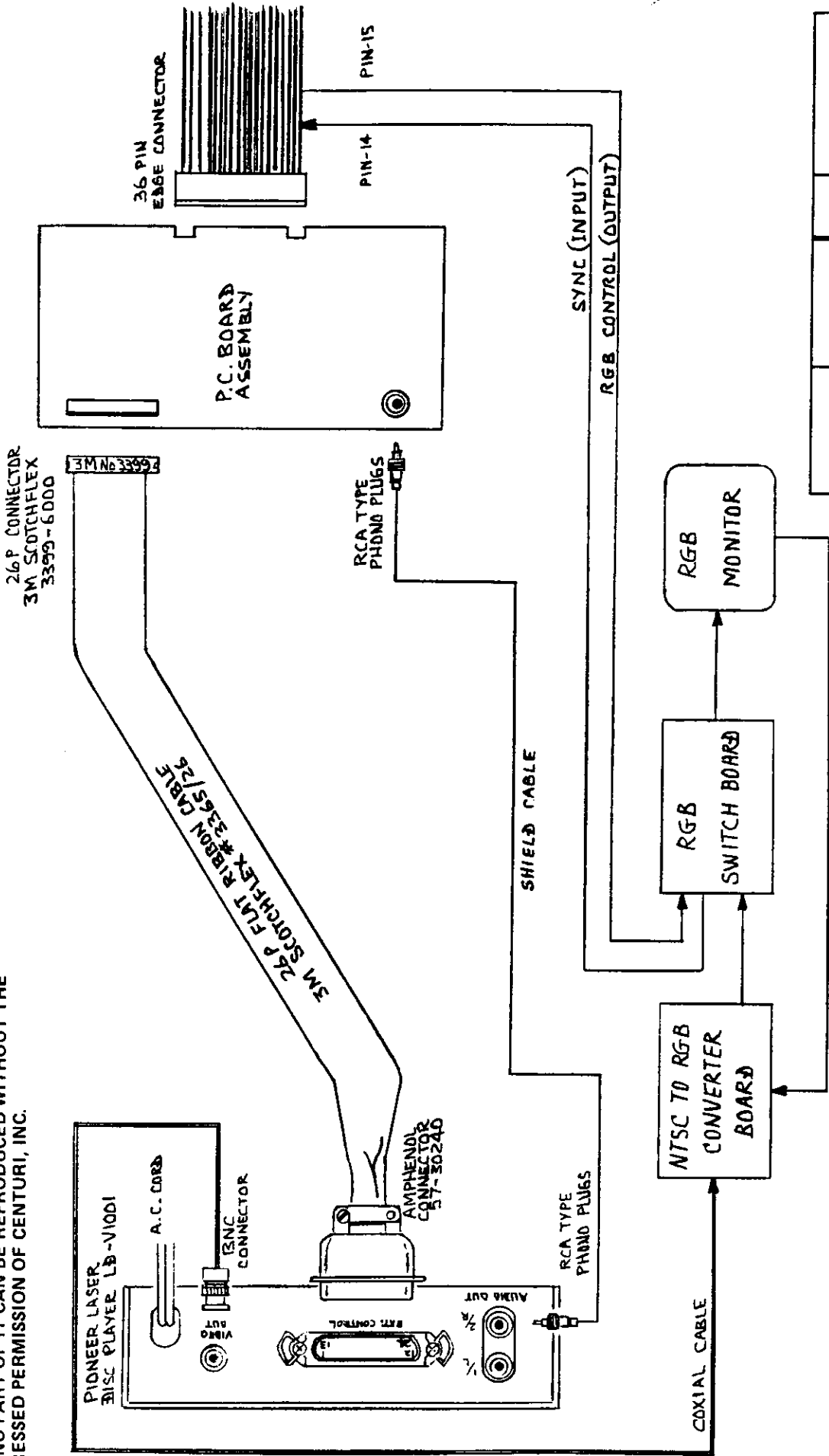


FIGURE-11

TOLERANCES		Unless Otherwise Specified	
FRACTIONS	±	1/32	
DECIMALS 2 PL	±	.015	
DECIMALS 3 PL	±	.005	
HOLES	+	.003	
ANGLES	-	.001	
SHT. MET BENDS	±	1/2°	

REV. LET.	ECN NO.	REVISION	BY

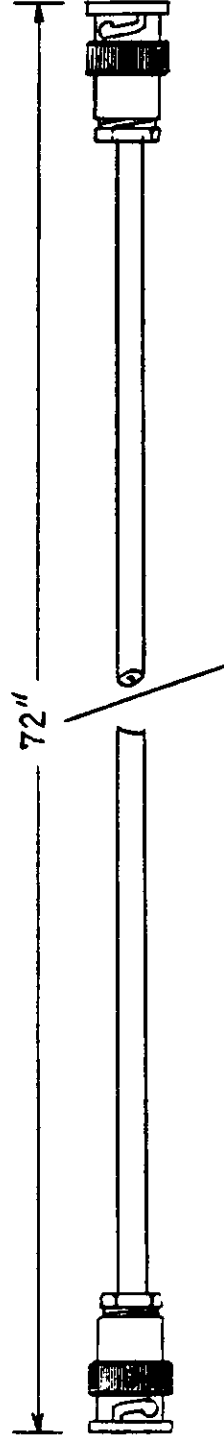
OC. APV'D	PROD. APV'D	QTY.	ASSEMBLY NO.

centuri inc.		HIALEAH, FLORIDA 33014	
NAME SYSTEM INTERCONNECT DIAGRAM - BAYLANDS			
MATT'S.		HEAT TREAT.	
DRAWN BY	DATE	SCALE	PART NO.
MS	1-30-84	NONE	
REV.	REV.		

27 17899A

THE MATERIAL CONTAINED HEREIN IS CONFIDENTIAL AND NO PART OF IT CAN BE REPRODUCED WITHOUT THE EXPRESSED PERMISSION OF CENTURI, INC.



RG-59/U CABLE WITH BNC MALE CONNECTORS AT BOTH ENDS.

FIGURE-12

REV. LET.		ECN NO.	REVISION	BY																																													
<table border="1"> <tr> <td colspan="2">TOLERANCES</td> <td colspan="3"></td> </tr> <tr> <td colspan="5">Unless Otherwise Specified</td> </tr> <tr> <td>FRACTIONS</td> <td>±</td> <td>1/32</td> <td colspan="2"></td> </tr> <tr> <td>DECIMALS 2 PL</td> <td>±</td> <td>.015</td> <td colspan="2"></td> </tr> <tr> <td>DECIMALS 3 PL</td> <td>±</td> <td>.005</td> <td colspan="2"></td> </tr> <tr> <td>HOLES</td> <td>+</td> <td>.003</td> <td colspan="2"></td> </tr> <tr> <td>ANGLES</td> <td>-</td> <td>.001</td> <td colspan="2"></td> </tr> <tr> <td>SHT. MET BENDS</td> <td>±</td> <td>1/2'</td> <td colspan="2"></td> </tr> <tr> <td></td> <td></td> <td>±</td> <td>2'</td> <td></td> </tr> </table>					TOLERANCES					Unless Otherwise Specified					FRACTIONS	±	1/32			DECIMALS 2 PL	±	.015			DECIMALS 3 PL	±	.005			HOLES	+	.003			ANGLES	-	.001			SHT. MET BENDS	±	1/2'					±	2'	
TOLERANCES																																																	
Unless Otherwise Specified																																																	
FRACTIONS	±	1/32																																															
DECIMALS 2 PL	±	.015																																															
DECIMALS 3 PL	±	.005																																															
HOLES	+	.003																																															
ANGLES	-	.001																																															
SHT. MET BENDS	±	1/2'																																															
		±	2'																																														
<table border="1"> <tr> <td>APP'D</td> <td>DATE</td> <td>SCALE</td> <td>PART NO.</td> <td>REV.</td> </tr> <tr> <td>M.J.</td> <td>1-31-84</td> <td>NONE</td> <td>008-4933</td> <td></td> </tr> </table>					APP'D	DATE	SCALE	PART NO.	REV.	M.J.	1-31-84	NONE	008-4933																																				
APP'D	DATE	SCALE	PART NO.	REV.																																													
M.J.	1-31-84	NONE	008-4933																																														
<table border="1"> <tr> <td>OC. APV'D</td> <td>PROD. APV'D</td> <td>QTY.</td> <td>ASSEMBLY NO</td> <td></td> </tr> <tr> <td></td> <td></td> <td>/</td> <td></td> <td></td> </tr> </table>					OC. APV'D	PROD. APV'D	QTY.	ASSEMBLY NO				/																																					
OC. APV'D	PROD. APV'D	QTY.	ASSEMBLY NO																																														
		/																																															
<table border="1"> <tr> <td colspan="2">centuri<sup>inc.</sup></td> <td colspan="3">HIALEAH, FLORIDA 33014</td> </tr> <tr> <td colspan="5">NAME COAXIAL CABLE ASSY - DISC PLAYER TO MONITOR</td> </tr> <tr> <td colspan="4">MAT'L'S.</td> <td>FINISH</td> </tr> </table>					centuri <sup>inc.</sup>		HIALEAH, FLORIDA 33014			NAME COAXIAL CABLE ASSY - DISC PLAYER TO MONITOR					MAT'L'S.				FINISH																														
centuri <sup>inc.</sup>		HIALEAH, FLORIDA 33014																																															
NAME COAXIAL CABLE ASSY - DISC PLAYER TO MONITOR																																																	
MAT'L'S.				FINISH																																													

THE MATERIAL CONTAINED HEREIN IS CONFIDENTIAL AND NO PART OF IT CAN BE REPRODUCED WITHOUT THE EXPRESSED PERMISSION OF CENTURI, INC.

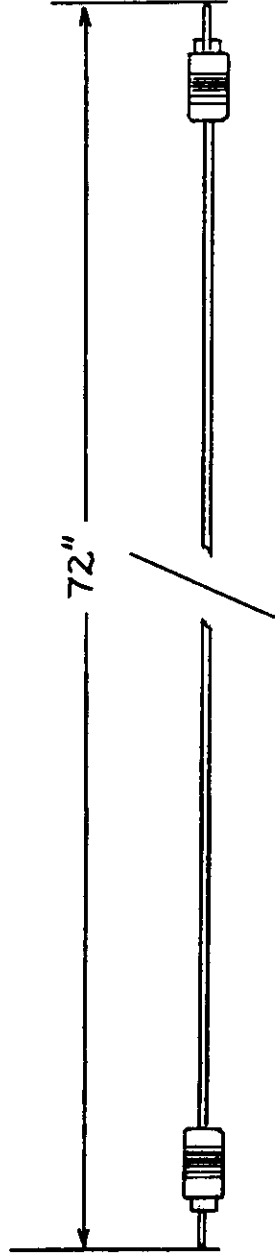
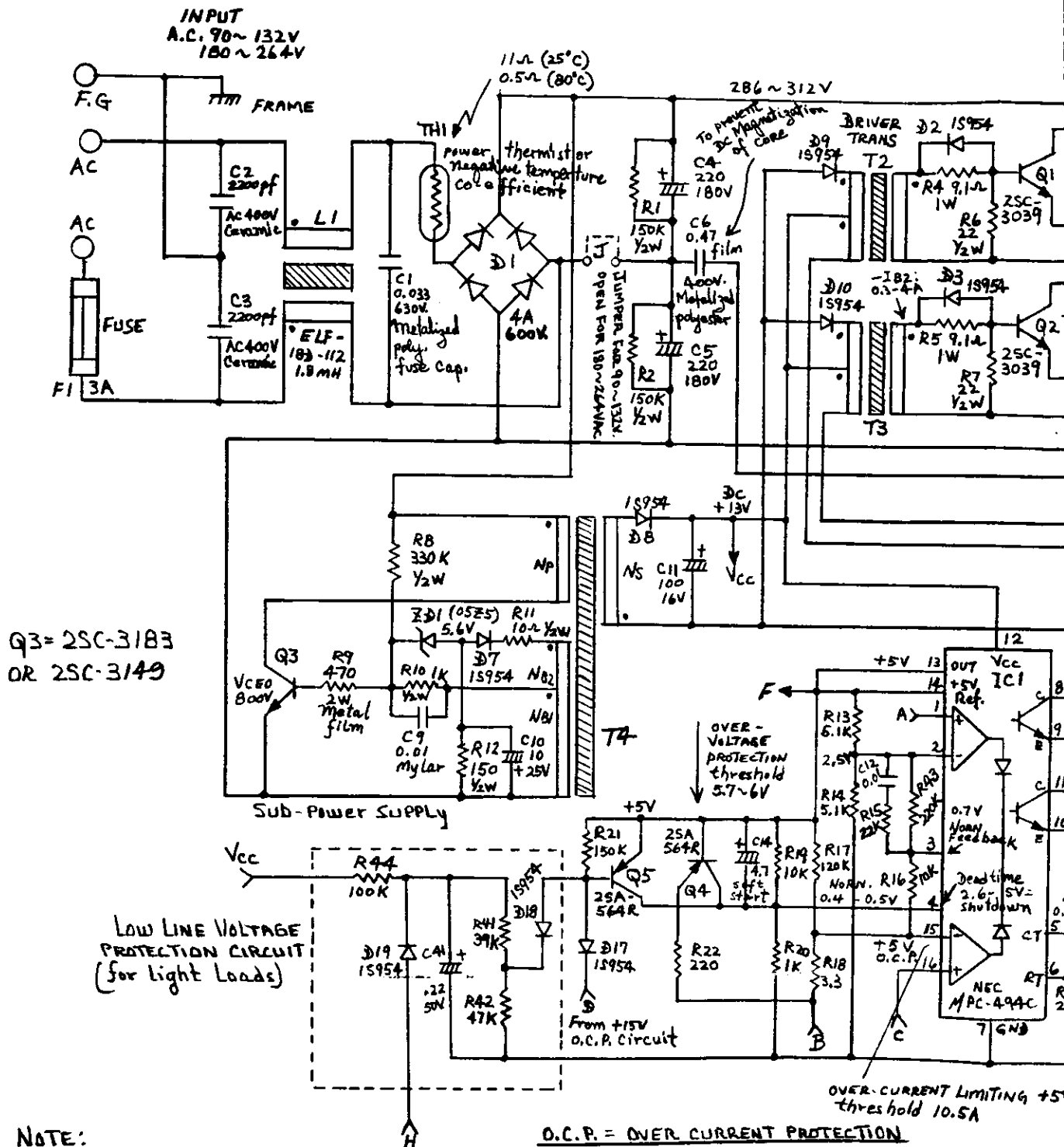


FIGURE-13

TOLERANCES		QC. APV'D		PROD. APV'D		QTY.		ASSEMBLY NO	
Unless Otherwise Specified						/			
FRACTIONS	± 1/32								
DECIMALS 2 PL	± .015								
DECIMALS 3 PL	± .005								
HOLES	+ .003								
ANGLES	- .001								
SHT. MET BENDS	± 1/2°								
	± 2°								
REV. LET.	ECN NO.	REVISION	BY	DATE	SCALE	PART NO.	HEAT TREAT.	FINISH	REV.
				2-6-84	NCNE	008-4938			
				centuri <sup>INC.</sup>				HIALEAH, FLORIDA 33014	
				NAME		CPU TO DISC PLAYER AUDIO CABLE ASSY			
				MATERIALS					
				APP'D		<i>[Signature]</i>			
				DWN		MS			

27 17899A



NOTE:  
 ALL CAPACITORS ARE MYLAR-FILM  
 UNLESS INDICATED.  
 ALL RESISTORS ARE CARBON 1/4 WATT  
 UNLESS INDICATED.

REV. LET.	ECN NO.	REVISION

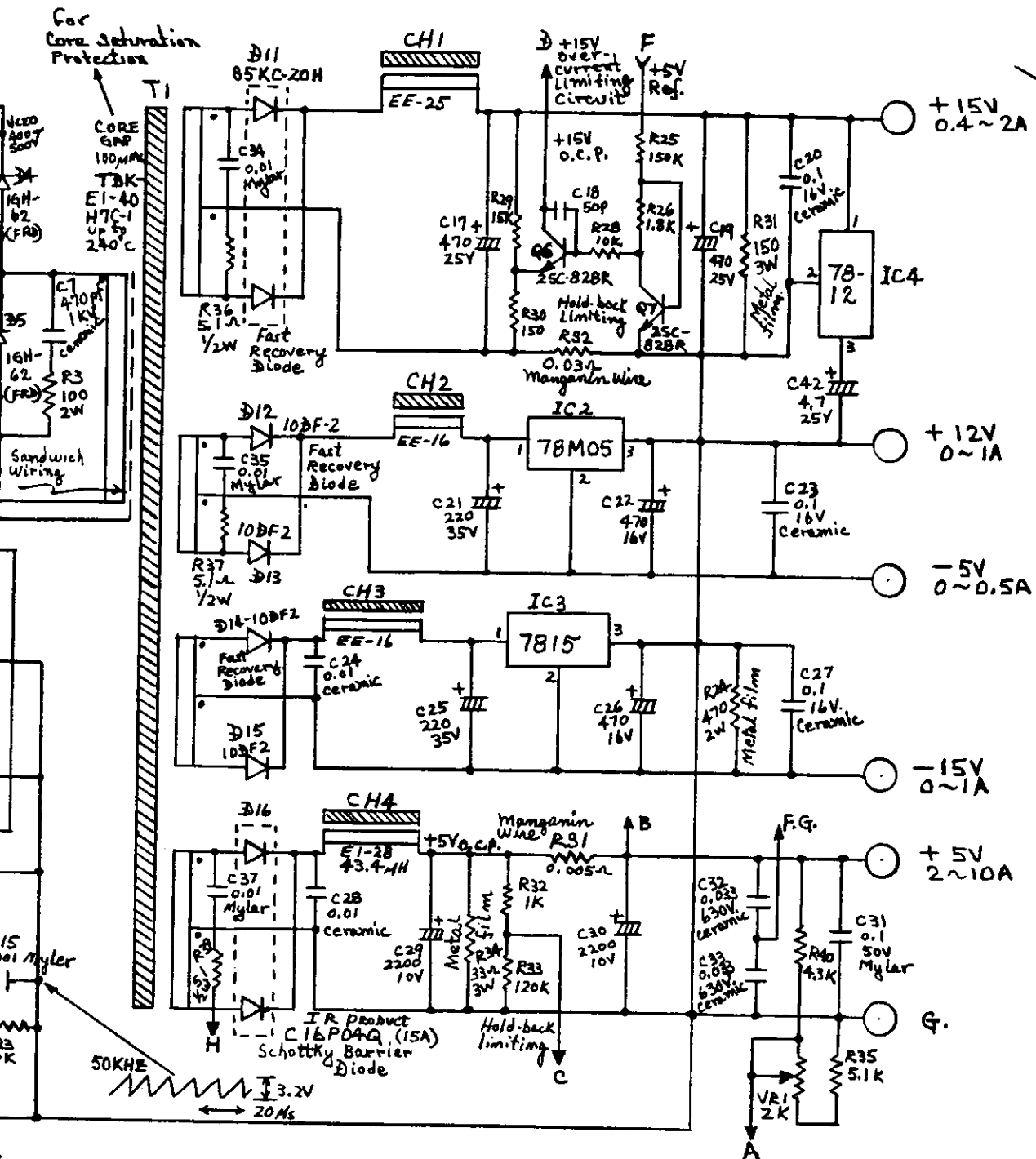


FIGURE-14

POWER SUPPLY  
P/N 414-2021

QC. APV'D	PROD. APV'D	QTY.	ASSEMBLY NO
-----------	-------------	------	-------------

TOLERANCES	
Unless Otherwise Specified	
FRACTIONS	± 1/32
DECIMALS 2 PL	± .015
DECIMALS 3 PL	± .005
HOLES	± .003
ANGLES	± 1/2°
SHT. MET BENDS	± 2°

**centuri**  
INC.

HIALEAH, FLORIDA 33014

NAME  
**PAL SWITCHING POWER SUPPLY, PSR-1105-AP**

MAT'L'S. HEAT TREAT. FINISH

DWN	APP'D.	DATE	SCALE	PART NO.	REV.
		8-1-83	7/8	905-4908	



## Power Supply PSR-1105AP

## PARTS LIST (414-2021)

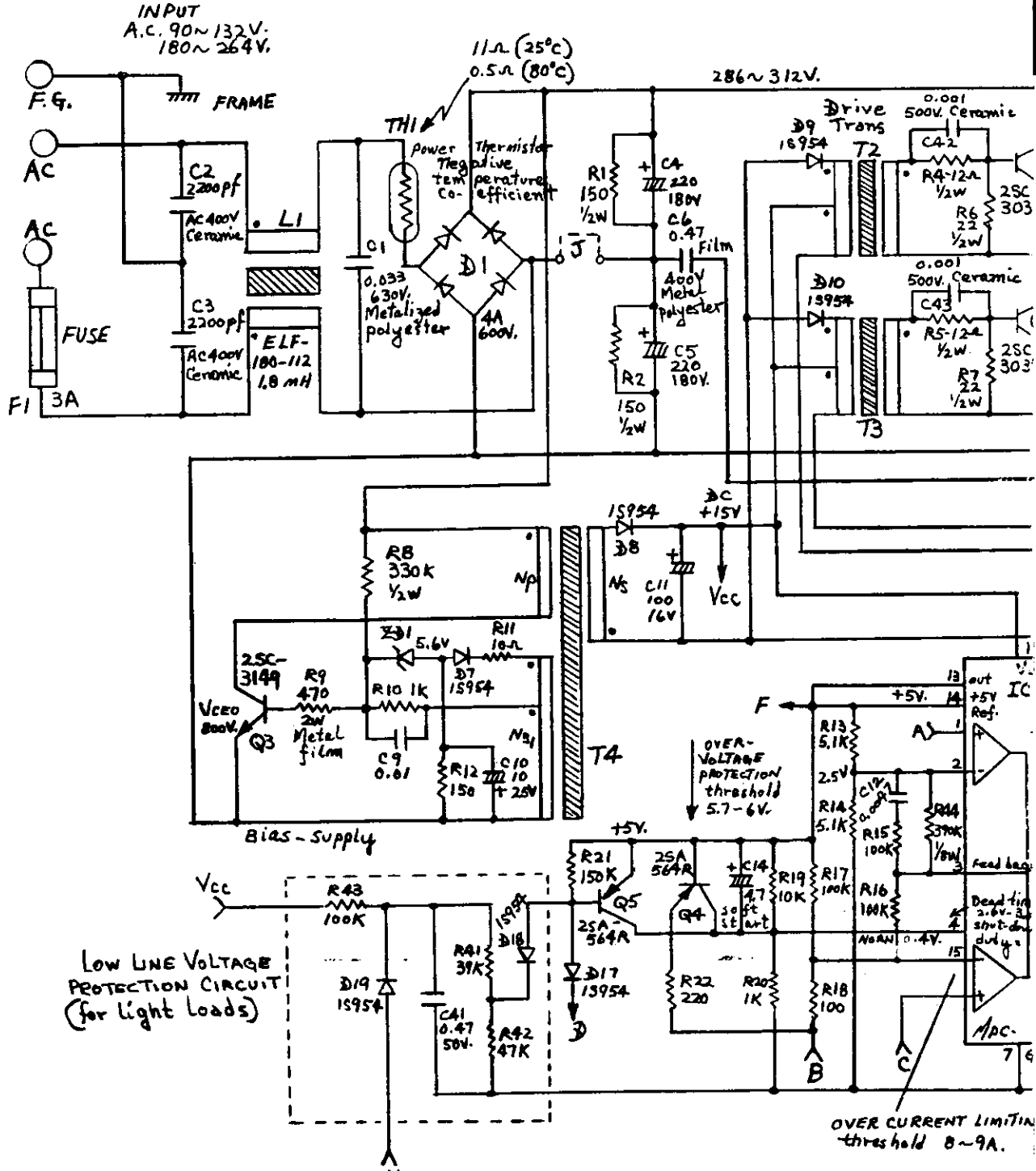
<u>Symbol</u>	<u>Description</u>	<u>Qty</u>
D1	Bridge Rectifier, S4VB-600V	1
D2,3,7,8,9, 10,17,18,19	Switching Diode, 1S954	9
D4,5	Fast Recovery Diode, 1GH62, 400V	2
D12,13,14,15	Fast Recovery Diode, 10DF-2, 200V	4
D11	Fast Recovery Diode, S5KC20H, 200V	1
D16	Schottky Barrier Diode, C16P04Q	1
ZD1	Zener Diode, 05Z5, 6A, 5.6V, 500mw	1
Q1,2	Power Transistor, 2SC3039	2
Q3	Power Transistor, 2SC3149	1
Q4,5	Transistor, 2SA564R	2
Q6,7	Transistor, 2SC828R	2
IC1	Switching Control, mPC494C, NEC	1
IC2	Regulator, 78M05	1
IC3	Regulator, 7815	1
IC4	Regulator, 7812	1
T1	Power Transformer, SM-2405	1
T2,3	Driver Transformer, SM-2215B	2
T4	Sub-Power Supply Transformer, SM-2399	1
CH1	EE-25, Choke Inductor, SM-2374	1
CH2,3	EE-16, Choke Inductor, SM-2367	2
CH4	EI-28, Choke Inductor, SM-2391	1
L1	AC Line Filter, ELF-18D-112	1
TH1	Power N.T.C. Thermistor, TD18-010	1
C1,32,33	Capacitor, Metalized Polyester, 0.033mf, 630V	3
C2,3	Capacitor, Ceramic, 2200pf, AC 400V, $\pm 20\%$	2
C4,5	Capacitor, Electrolytic, 220mf, 180V	2
C6	Capacitor, Metalized Polyester, 0.47mf, 400V	1
C7	Capacitor, Ceramic, 470pf, 1KV	1
C9,12,34,35,37	Capacitor, Mylar Film, 0.01mf, 50V	5
C10	Capacitor, Electrolytic, 10mf, 25V	1
C11	Capacitor, Electrolytic, 100mf, 16V	1
C14,42	Capacitor, Electrolytic, 4.7mf, 25V	2
C15	Capacitor, Polyester Film, 0.001mf, 50V	1
C17,19	Capacitor, Electrolytic, 470mf, 25V	2
C18	Capacitor, Ceramic, 50pf, 50V	1
C20,23,27,28	Capacitor, Ceramic, 0.1mf, 16V	4
C21,25	Capacitor, Electrolytic, 220mf, 35V	2
C22,26	Capacitor, Electrolytic, 470mf, 16V	2
C24	Capacitor, Ceramic, 0.01mf, 50V	1
C29,30	Capacitor, Electrolytic, 2200mf, 10V	2
C31	Capacitor, Mylar Film, 0.1mf, 50V	1
C41	Capacitor, Electrolytic, 0.22mf, 50V	1
R1,2	Resistor, Carbon Film, 150K Ohm, $\frac{1}{2}$ W, $\pm 5\%$	2
R3	Resistor, Metal Film, 100 Ohm, 2W, $\pm 5\%$	1
R4,5	Resistor, Metal Film, 9.1 Ohm, 1W, $\pm 5\%$	2
R6,7	Resistor, Carbon Film, 22 Ohm, $\frac{1}{2}$ W, $\pm 5\%$	2

Power Supply PSR-1105AP

PARTS LIST (414-2021)

<u>Symbol</u>	<u>Description</u>	<u>Qty</u>
R8	Resistor,Carbon Film, 330K Ohm, ½W, ±5%	1
R9	Resistor,Metal Film, 470 Ohm, 2W, ±5%	1
R10	Resistor,Mini-Metal Film,1K Ohm, ½W, ±5%	1
R11	Resistor,Mini-Metal Film, 10 Ohm, ½W, ±5%	1
R12	Resistor,Mini-Metal Film,150 Ohm, ½W, ±5%	1
R13,14,35	Resistor,Carbon Film, 5.1K Ohm, ½W, ±5%	3
R15	Resistor,Carbon Film, 22K Ohm, ½W, ±5%	1
R16,19,28	Resistor,Carbon Film, 10K Ohm, ½W, ±5%	3
R17,33	Resistor,Carbon Film, 120K Ohm, ½W, ±5%	2
R18	Resistor,Carbon Film, 3.3 Ohm, ½W, ±5%	1
R20	Resistor,Carbon Film, 1K Ohm, ½W, ±5%	1
R21,25	Resistor,Carbon Film, 150K Ohm, ½W, ±5%	2
R22	Resistor,Carbon Film, 220 Ohm, ½W, ±5%	1
R23	Resistor,Carbon Film, 20K Ohm, ½W, ±5%	1
R24	Resistor,Metal Film, 470 Ohm, 2W, ±5%	1
R26	Resistor,Carbon Film, 1.8K Ohm, ½W, ±5%	1
R29	Resistor,Carbon Film, 15K Ohm, ½W, ±5%	1
R30	Resistor,Carbon Film, 150 Ohm, ½W, ±5%	1
R31	Resistor,Metal Film, 150 Ohm, 3W, ±5%	1
R32	Resistor,Carbon Film, 1K Ohm, ½W, ±5%	1
R34	Resistor,Metal Film, 33 Ohm, 3W, ±5%	1
R36,39	Resistor,Metal Film, 5.1 Ohm, ½W, ±5%	2
R37	Resistor,Carbon Film, 5.1 Ohm, ½W, ±5%	1
R40	Resistor,Carbon Film, 4.3K Ohm, ½W, ±5%	1
R41	Resistor,Carbon Film, 39K Ohm, ½W, ±5%	1
R42	Resistor,Carbon Film, 47K Ohm, ½W, ±5%	1
R43	Resistor,Carbon Film, 220K Ohm,1/8W, ±5%	1
R44	Resistor,Carbon Film, 100K Ohm, ½W, ±5%	1
RS1	Resistor,Wire Manganin,A-2145,0.005 Ohm,2 Ø	1
RS2	Resistor,Wire Manganin,A-2256,0.03 Ohm, 1 Ø	1
VR1	Potentiometer, Mini Type, 2K Ohm	1
F1	Fuse, 3 Ampere	1

THE MATERIAL CONTAINED HEREIN IS CONFIDENTIAL  
AND NO PART OF IT CAN BE REPRODUCED WITHOUT THE  
EXPRESSED PERMISSION OF CENTURI, INC.



NOTE:  
ALL CAPACITORS ARE MYLAR-FILM  
UNLESS INDICATED.  
ALL RESISTORS ARE CARBON 1/4 WATT  
UNLESS INDICATED.

REV. LET.	ECN NO.	

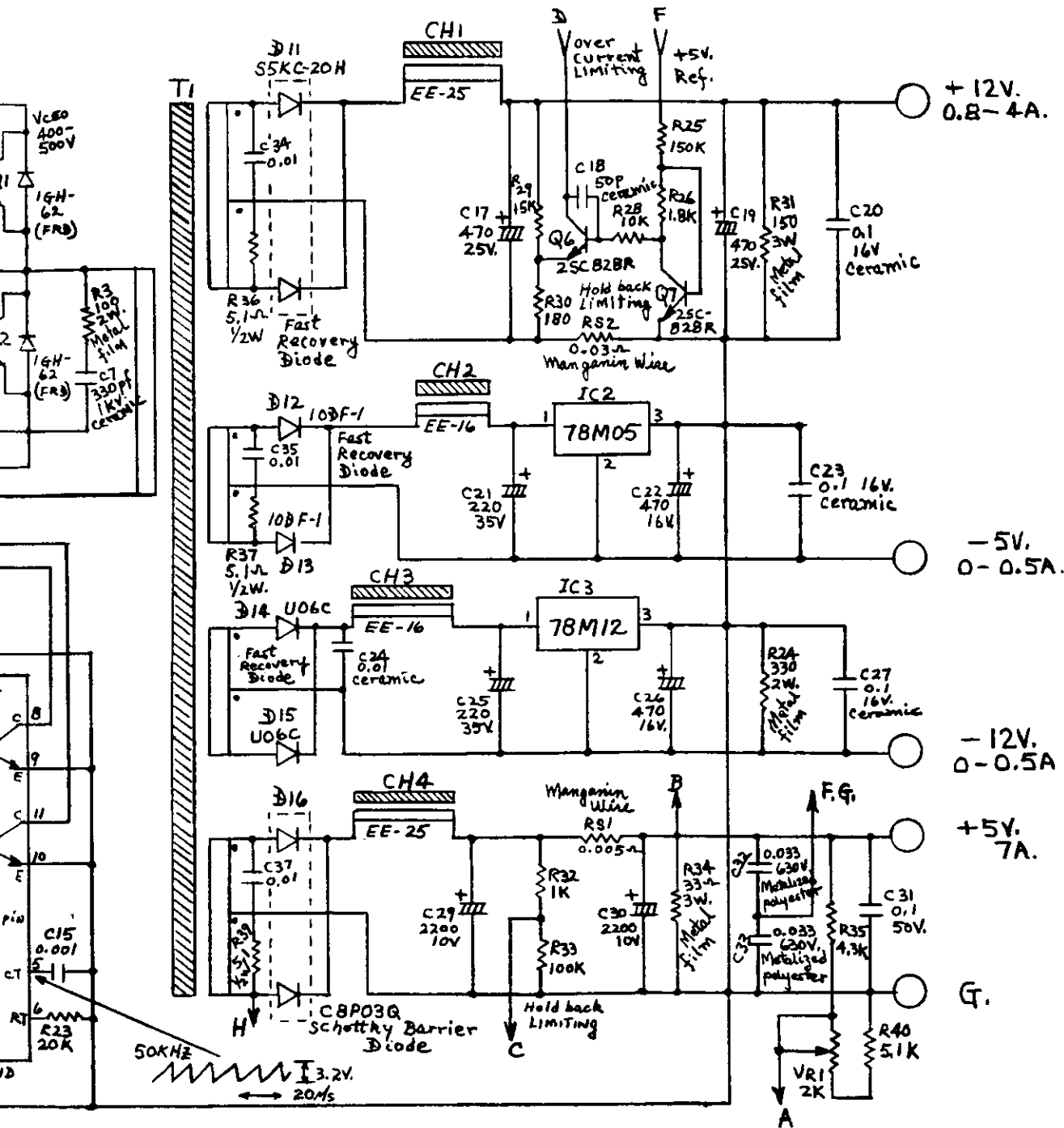


FIGURE-15

POWER SUPPLY PIN  
414-2023

QC. APV'D	PROD. APV'D	QTY.	ASSEMBLY NO

		TOLERANCES				HIALEAH, FLORIDA 33014	
		Unless Otherwise Specified					
		FRACTIONS	± 1/32	NAME		PAL SWITCHING POWER SUPPLY, PSR-804-AT	
		DECIMALS 2 PL	± .015	MATL'S.		HEAT TREAT.	
		DECIMALS 3 PL	± .005	DWN		FINISH	
		HOLES	+ .003	DATE		SCALE	
		ANGLES	± 1/2°	7-23-83		PART NO.	
		SHT. MET BENDS	± 2°	MS. [Signature]		905-4914	
REVISION	BY			REV.			

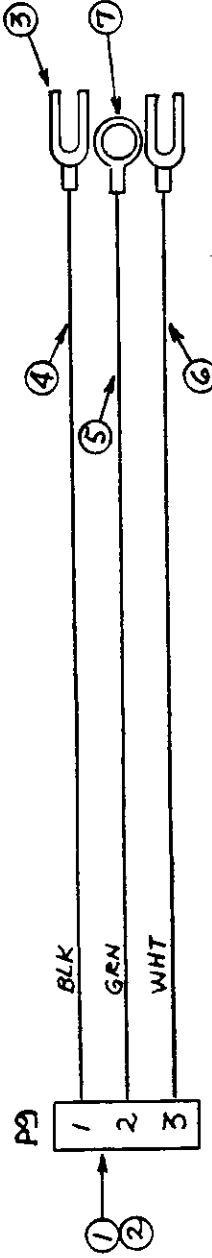
Power Supply PSR-804AT  
PARTS LIST (414-2023)

<u>Symbol</u>	<u>Description</u>	<u>Qty</u>
D1	Bridge Rectifier, RB-40, 600V	1
D4,5	Fast Recovery Diode, 1GH62	2
D7,8,9,10		
D17,18,19	Switching Diode, 1S954	7
D11	Fast Recovery Diode, S5KC20H	1
D12,13,14,15	Fast Recovery Diode, 10DF1	4
D16	Shottky Barrier Diode, C8P03Q	1
ZD1	Zener Diode, 05Z5, 5.6V, 500mW	1
Q1,2	Power Transistor, 2SC3039	2
Q3	Power Transistor, 2SC3149	1
Q4,5	Transistor, 2SA564R	2
Q6,7	Transistor, 2SC828R	2
IC1	Control I.C., PC494C	1
IC2	Regulator, 78M05	1
IC3	Regulator, 78M12	1
T1	Power Transformer, SM-2385	1
T2,3	Driver Transformer, SM-2215B	2
T4	Sub-Power Supply Transformer, SM-2399	1
CH1	EE25 Choke, SM-2374	1
CH2,3	EE16 Choke, SM-2367B	2
CH4	EE25 Choke, SM-2366	1
L1	Line Filter, ELF-18D-112	1
TH1	Power Thermistor, TD18-010	1
C1,32,33	Capacitor, Metalized polyester, 0.033, 630V.	3
C2,3	Capacitor, Ceramic, 2200pf, AC400V.	2
C4,5	Capacitor, Electrolytic, 220mf, 180V.	2
C6	Capacitor, Metalized polyester, 0.47mf, 400V.	1
C7	Capacitor, Ceramic, 330pf, 1KV	1
C9,34,35,37	Capacitor, Mylar Film, 0.01mf, 50V.	4
C10	Capacitor, Electrolytic, 10mf, 25V.	1
C11	Capacitor, Electrolytic, 100mf, 16V.	1
C12	Cap. Mylar Film, 0.0047mf, 50V.	1
C14	Capacitor, Electrolytic, 4.7mf, 25V.	1
C15	Capacitor, Polyester, 0.001mf, 50V.	1
C17,19	Capacitor, Electrolytic, 470mf, 25V.	2
C18	Capacitor, Ceramic, 50pf	1
C20,23,27	Capacitor, Ceramic, 0.1mf, 16V.	3
C21,25	Capacitor, Electrolytic, 220mf, 35V.	2
C22,26	Capacitor, Electrolytic, 470mf, 16V.	2
C24	Capacitor, Ceramic, 0.01mf, 50V.	1
C29,30	Capacitor, Electrolytic, 2200mf, 10V.	2
C31	Capacitor, Mylar Film, 0.1mf, 50V.	1
C41	Capacitor, Electrolytic, 0.47mf, 50V.	1
C42,43	Capacitor, Ceramic, 0.001mf, 500V.	2
R1,2	Resistor, Carbon, 150K Ohm, $\frac{1}{2}$ W.	2
R3	Resistor, Metal Oxide, 100 Ohm, 2W	1
R4,5	Resistor, Carbon, 12 Ohm, $\frac{1}{2}$ W	2
R6,7	Resistor, Carbon, 22 Ohm, $\frac{1}{2}$ W.	2
R8	Resistor, Carbon, 330K Ohm, $\frac{1}{2}$ W.	1

Power Supply PSR-804AT  
PARTS LIST (414-2023)

<u>Symbol</u>	<u>Description</u>	<u>Qty</u>
R9	Resistor, Metal Oxide, 470 Ohm, 2W.	1
R10,20,32	Resistor, Carbon, 1K Ohm, 1/2W.	3
R11	Resistor, Carbon, 10 Ohm, 1/2W.	1
R12	Resistor, Carbon, 150 Ohm, 1/2W.	1
R13,14,40	Resistor, Carbon, 5.1K Ohm, 1/2W.	3
R15,16,17,33	Resistor, Carbon, 100K Ohm, 1/2W.	4
R18	Resistor, Carbon, 100 Ohm, 1/2W.	1
R19,28	Resistor, Carbon, 10K Ohm, 1/2W.	2
R21,25	Resistor, Carbon, 150K Ohm, 1/2W.	2
R22	Resistor, Carbon, 220 Ohm, 1/2W.	1
R23	Resistor, Carbon, 20K Ohm, 1/2W.	1
R24	Resistor, Metal Oxide, 330 Ohm, 2W.	1
R26	Resistor, Carbon, 1.8K Ohm, 1/2W.	1
R29	Resistor, Carbon, 15K Ohm, 1/2W.	1
R30	Resistor, Carbon, 180 Ohm, 1/2W.	1
R31	Resistor, Metal Oxide, 150 Ohm, 3W.	1
R34	Resistor, Metal Oxide, 33 Ohm, 3W.	1
R35	Resistor, Carbon, 4.3K Ohm, 1/2W.	1
R36,37,39	Resistor, Carbon, 5.1 Ohm, 1/2W.	3
R41	Resistor, Carbon, 39K Ohm, 1/2W.	1
R42	Resistor, Carbon, 47K Ohm, 1/2W.	1
R43	Resistor, Carbon, 100K Ohm, 1/2W.	1
R44	Resistor, Carbon, 390K Ohm, 1/8W.	1
RS1	Resistor, Manganin wire, 0.005 Ohm (A2145)	1
RS2	Resistor, Manganin wire, 0.03 Ohm (A2256)	1
VR1	Mini-Potentiometer, 2K Ohm	1
F1	Fuse, 3 Ampere	1
FH1	Fuse Holder, F207	1

THE MATERIAL CONTAINED HEREIN IS CONFIDENTIAL AND NO PART OF IT CAN BE REPRODUCED WITHOUT THE EXPRESSED PERMISSION OF CENTURI, INC.

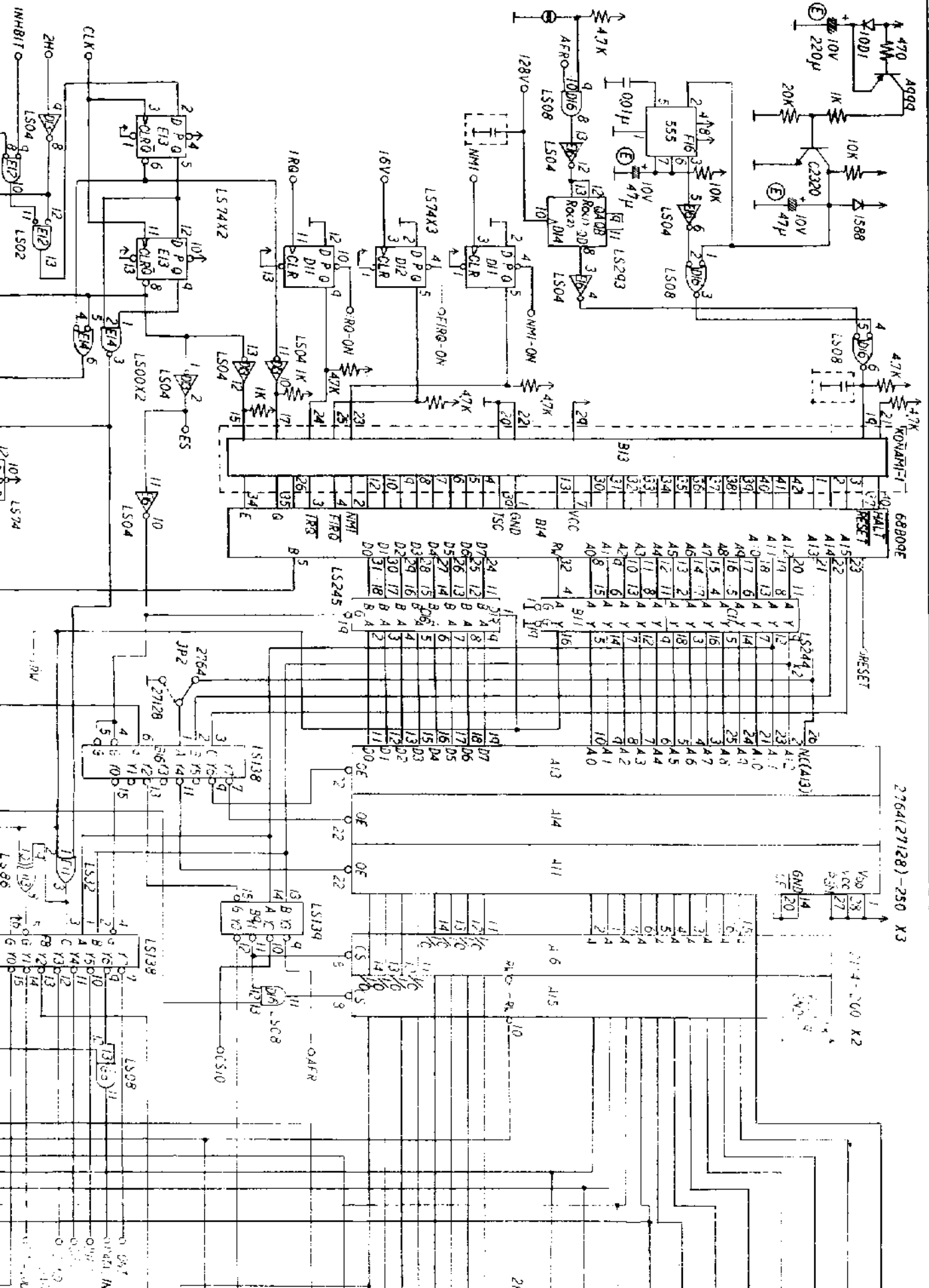


8	2	4-17-601	4" TY WRAPS
7	1	401-1201	RING LUG, ETC # B-137-10T
6	12	402-1536	INSULATED WIRE 18AWG, WHITE
5	13	402-1532	" " " GREEN
4	12	402-1527	" " " BLACK
3	2	401-1246	INSULATED OPEN LUG
2	3	401-1222	MALE PIN MOLEX # 02-09-2116
1	1	401-1234	PIN PLUS MOLEX # 03-09-2031
ITEM	QTY	PART NO.	DESCRIPTION
BILL OF MATERIALS			

FIGURE-16

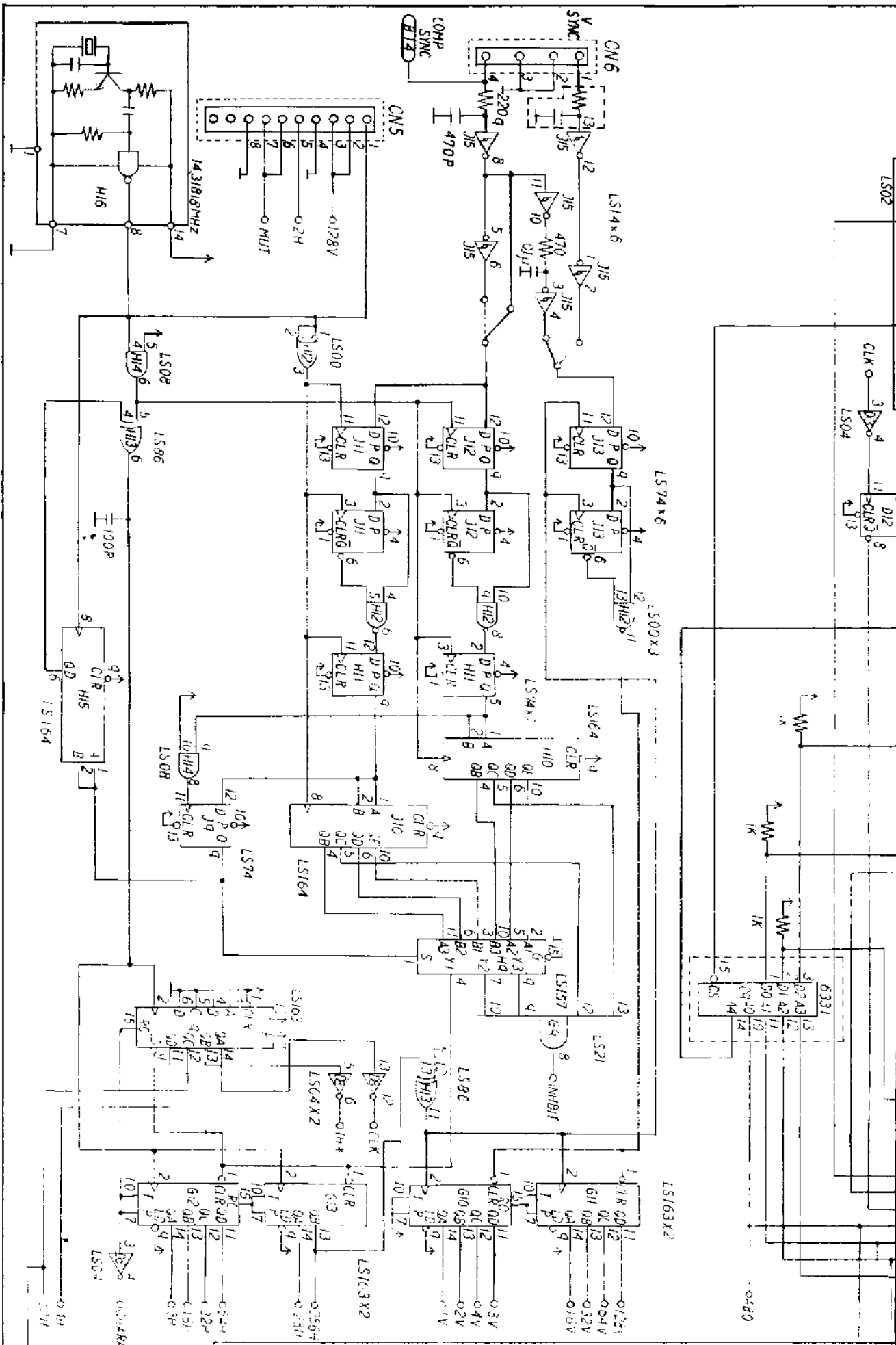
		HIALEAH, FLORIDA 33014	
		NAME POWER SUPPLY A.C. HARNESS	
MATERIALS		HEAT TREAT. FINISH	
DWN. APP'D. <i>M.J. [Signature]</i>	DATE 2-2-84	SCALE NONE	PART NO. 008-4908
REV. LET.	ECN NO.	BY	REV.

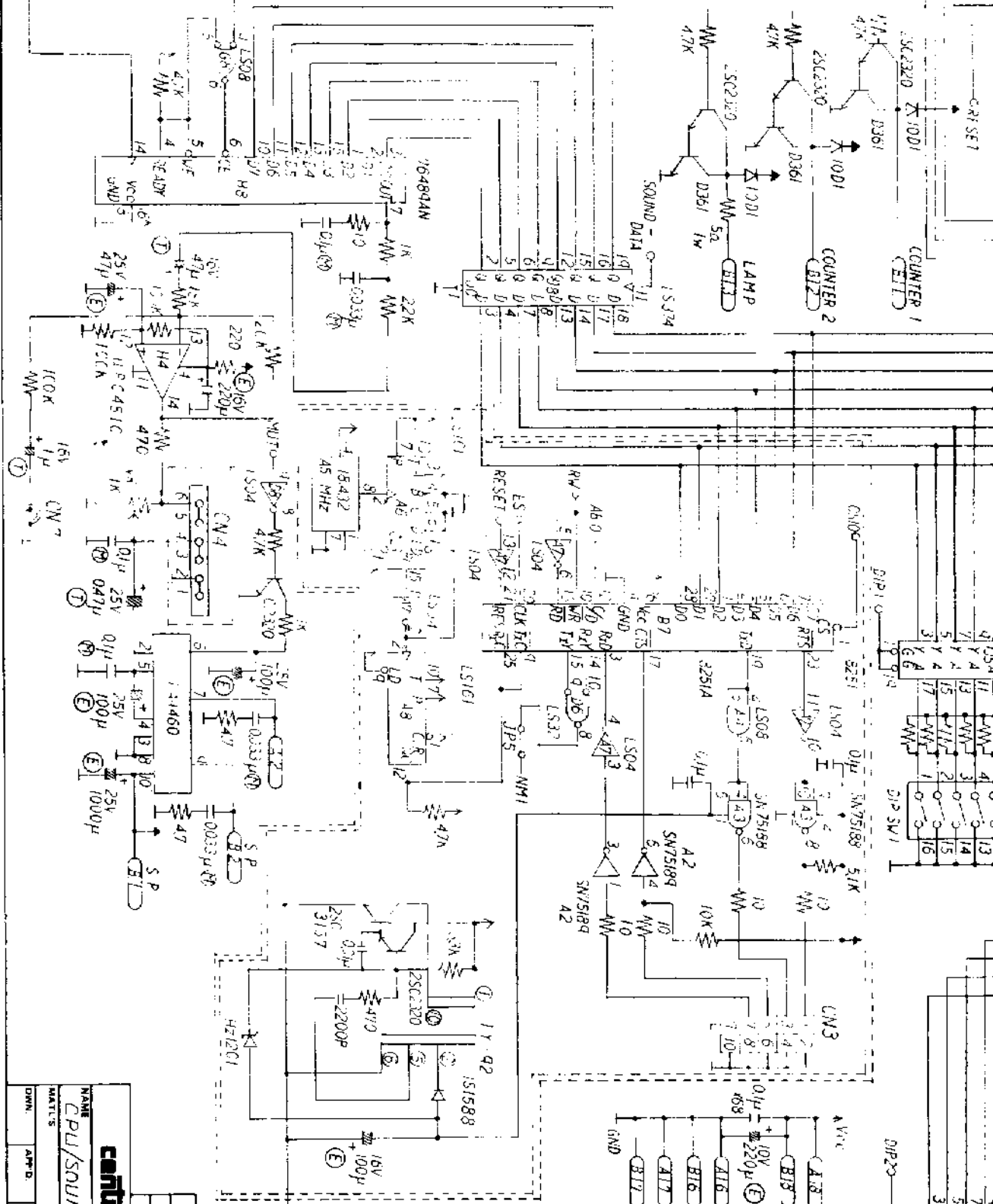
TOLERANCES	
Unless Otherwise Specified	
FRACTIONS	± 1/32
DECIMALS 2 PL	± .015
DECIMALS 3 PL	± .005
HOLES	+ .003
ANGLES	- .001
SHT. MET BENDS	± 1/2°











**NOTE**

- ⊕ : 5V Vcc
- ↑ : 12V
- ⊖ : 0V GND
- ⊗ : MYLAR CAPACITOR
- ⊙ : ELECTROLYTIC CAPACITOR
- Ⓢ : TANTALUM CAPACITOR
- Ⓜ : CERAMIC CAPACITOR
- Ⓝ : 36P CONNECTOR
- Ⓛ : NO LAYOUT PARTS
- Ⓟ : HITACH PLAYER ONLY
- Ⓡ : PIONEER PLAYER ONLY

- CN2 : FLAT CABLE CONNECTOR 34P
- CN3 : FLAT CABLE CONNECTOR 10P
- CN4 : B&P SHF-1A4
- CN5 : CON-724P010-AUS
- CN6 : BT8-15-4F
- CN7 : RCA PIN JACK

NAME		DATE		SCALE		PART NO.	
CPU/SOUND SCHEMATIC - BABBLANBS -		3-30-84		NONE		90S-4917	
DRAWN		APP'D		HEAT TREAT.		FINISH	
MATERIALS		PROG. AVID		QTY.		ASSEMBLY NO.	
CANTUM		MILBURN, FLORIDA 33014					