



"PARTS LIST FOR CENTURI, INC. GAMES"
INCLUDING ELECTRONIC COMPONENTS

1. CUSTOMER SERVICE POLICY
2. PLEIADES Upright game
3. Pleiades Cocktail game
4. RT. 16 Upright game
5. RT.16 cocktail game
6. PHOENIX Upright game
7. EAGLE Upright game 25"
8. EAGLE Upright game 14"
9. EAGLE Upright game 19"
10. TARG cocktail game
11. RIP OFF cocktail game

For service or repairs of logic bds. power supplies, or
monitors call our Technical Dept. @ 1-800-327-7710

Parts Dept. @ 1-305-558-5200 ext. 245 or 267

CUSTOMER SERVICE POLICIES

PARTS DEPARTMENT

TERMS

Net thirty (30) days computed from date of invoice. Payment in U.S. dollars, payable to Centuri, Inc. A one and a half percent monthly (18% annum) finance charge will be imposed on all past due accounts. Centuri, Inc. reserves the right to refuse orders from delinquent accounts.

MINIMUM ORDER

Minimum single order shall be \$25.00.

COST

All sales are invoiced at list price F.O.B. Centuri, Inc. factory Hialeah, Florida. Centuri, Inc. reserves the right to change prices without prior notice.

LIMITED WARRANTY

Centuri, Inc. warrants to the ORIGINAL PURCHASER that the printed circuit boards, video monitor and electronic components thereon to be of good material and workmanship and free from defects under their intended use and normal service for a period not to exceed SIXTY (60) days from date of invoice.

Upon receipt of a defective electronic assembly or assemblies covered under this warranty, the purchaser may, at its option, either return for repairs or replacement such assemblies provided immediate notification is given to Centuri, Inc., Customer Service Department. (Refer to RETURN GOODS AUTHORIZATION Section). Such assemblies which have been returned to Centuri, Inc., at PURCHASER EXPENSE, and which, upon examination shall disclose to Centuri, Inc. satisfaction to be so defective and to be the shipment of such electronics assemblies, shall be subject to this warranty. Advance replacement assemblies WILL NOT be provided for warranty support; no exceptions.

This warranty does not apply to any Centuri, Inc. product which has been altered, abused, neglected, improperly repaired, repaired by unauthorized personnel or service facilities or which has had the unit serial number altered or removed or has had damage incurred in transit. (See DAMAGES IN SHIPMENT).

RETURN GOODS AUTHORIZATION FOR CREDIT MUST BE RETURNED WITH IN 30 DAYS OF DATE OF AUTHORIZATION WARRANTY CREDIT ALLOWANCE

For each game product purchased and shipped from Centuri, Inc., an eighteen dollar (\$18.00) credit will be allocated for warranty services rendered by the distributor. This credit will automatically be deducted from the invoiced product price at time of billing.

Centuri, Inc.
1780 W. 4th Ave.
Hialeah, Fla. 33011

effective April 1, 1981

INCENTIVE PROGRAM

Centuri, Inc. will supply, at no charge, to the distributor one incentive printed circuit board kit consisting of CPU and sound with the purchase and shipment of video game quantities listed below.

Games Purchased	Cumulative Product Purchases	Incentive Kit at No Charge
26	26	1
25	51	1
50	101	2
50	151	1

Thereafter, one incentive board kit will be shipped for every fifty (50) video games purchased.

On purchases of less than twenty-five (25) games, the distributor will be allowed a four percent (4%) discount for each game purchased towards the purchase price of a printed circuit board kit. Pro-rata discounts are based on quantity of product purchased and NOT on product purchase price. Example: On purchase of 10 games, buyer is entitled to 40% discount on purchase price of printed circuit board. (10 games x 4% = 40%). If purchase price of printed circuit board is \$400, discounted board purchase price, based on 10 game purchase, is \$240. (40% x \$400 = \$160. \$400-160=\$240).

SUBSTITUTIONS OR CANCELLATIONS

Substitutions or cancellations of parts or finished product made PRIOR to shipment may be subject to a service charge of ten percent (10%) of the product cost if the products or parts ordered are standard items. If such items ordered are special or custom ordered, cancellations or substitutions made PRIOR to shipment will result in a charge for work in process at time of receipt of notification. If the order has been shipped before notification, a Return Goods Authorization must be obtained and returned goods may be subject to a fifteen percent (15%) restocking charge.

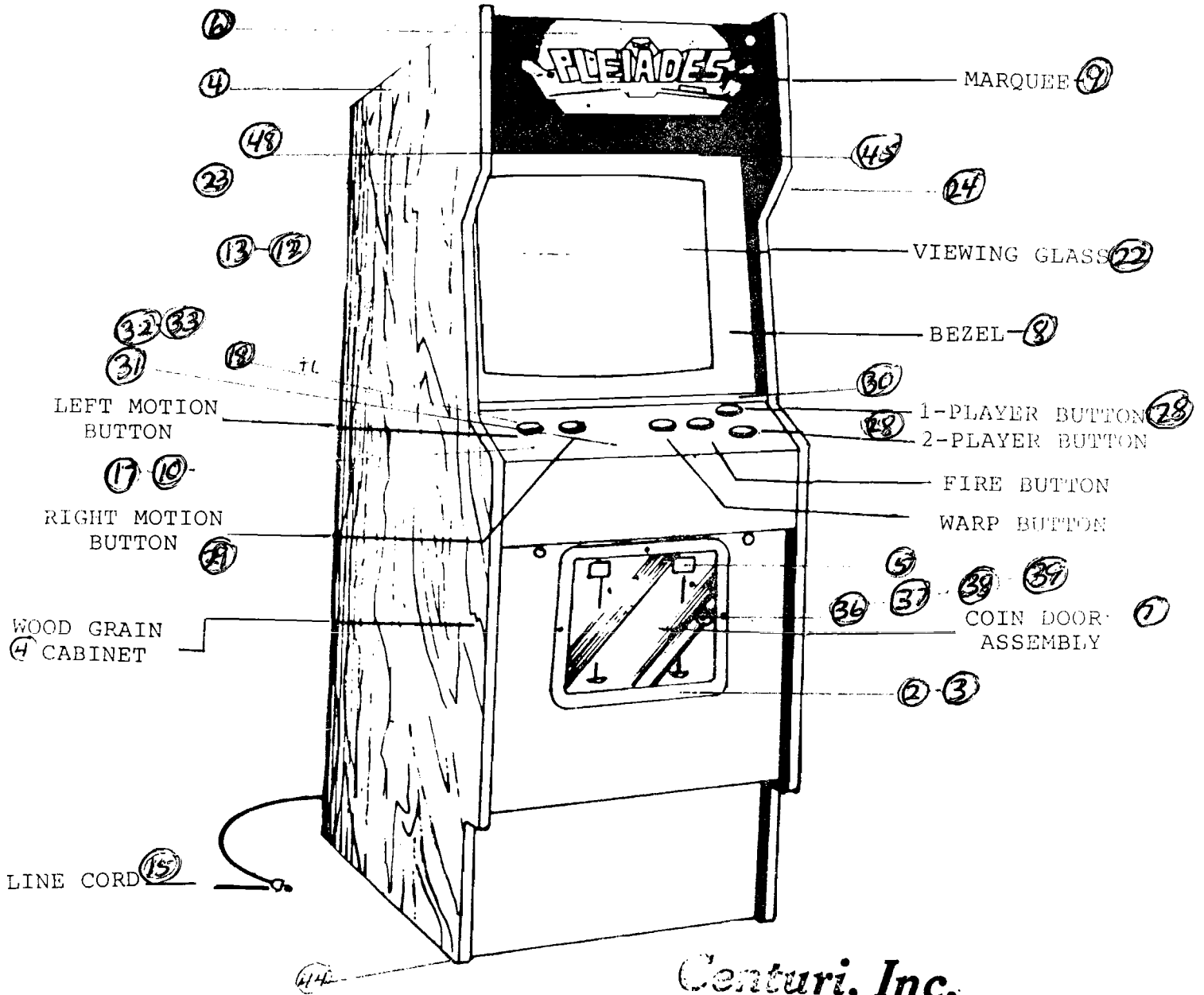
RETURN GOODS AUTHORIZATION

A Return Goods Authorization must be obtained from Centuri, Inc., Customer Service Department PRIOR to shipment of any goods to be returned. Goods returned without authorization will be refused and returned to sender at own expense. Centuri, Inc. will issue a Return Goods Authorization (RGA) number for the shipment authorizing its return. Return authorization will NOT be issued on goods valued at \$25.00 or less. Credits will be issued only if goods authorized for return are received by Centuri, Inc. within thirty (30) days of return authorization. All returned goods are to be shipped PREPAID with suitable packing to avoid in-transit damage and may be subject to a fifteen percent (15%) restocking charge. Centuri, Inc., at its option, will impose additional refurbishing charges to place the goods in a suitable for resale condition.

FACTORY REPAIRS

When factory repairs of electronic assemblies are required, a Returned Goods Authorization (RGA) number must be obtained from Centuri, Inc. Customer Service Department PRIOR to shipment. Defective electronic assemblies returned to Centuri, Inc. shall be shipped PREPAID and the distributor shall pay all RETURN EXPENSES. Repairs or exchanges rendered by the factory, at its option, will be charged at the fixed rate schedule/listed below. Centuri, Inc. reserves the right to change prices without prior notification. An hourly rate of forty-five (\$45.00) dollars plus parts will be charged where complete Integrated Circuit assemblies have been destroyed, negligent repair attempts were made or where modifications have to be removed to place assembly to its original state.

Please order by parts numbers if possible. Prices available on request. No REPAIRS OR CREDITS will be issued without an RGA number (Return Goods Authorization) to obtain one please call the Parts Dept. @ 305- 558-5200 . MINIMUM ORDERS 25.00
On Repairs in warranty serial numbers of items as well as game serial numbers must be given at time of RGA. Without this information repair charges will be applied.



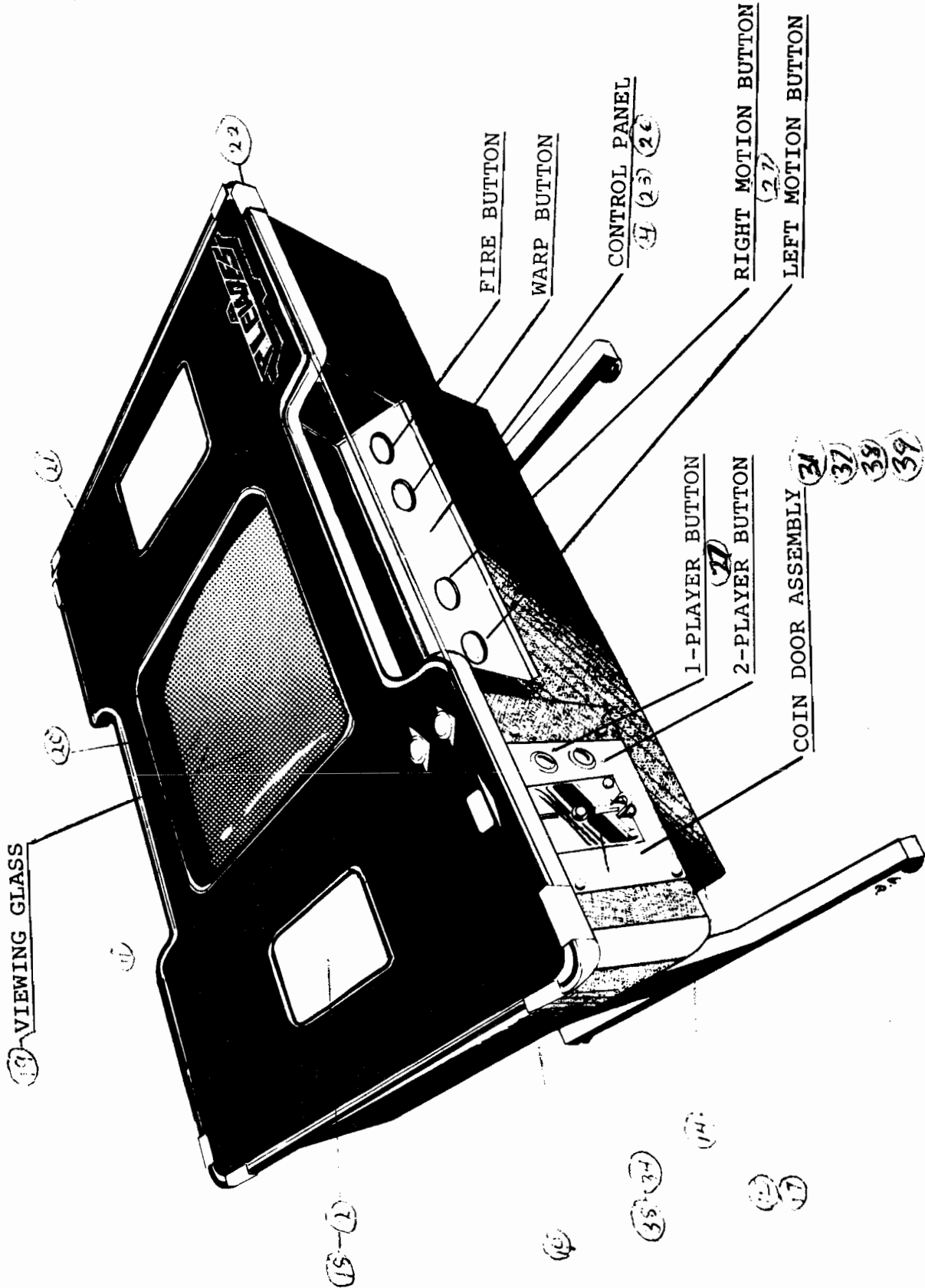
Centuri, Inc.
1780 W. 4th Ave.
Hialeah, Fla. 33010

19" PLEIADES VIDEO UPRIGHT

PLEIADES UPRIGHT GAME BY CENTURI, INC. PARTS LIST

1.	276-01-44	Cash box	_____	_____
2.	360-03-1200	Cash box lid	_____	_____
3.	50270226	50¢ coin plexi	_____	_____
4.	50190027	Flourescent lamp	_____	_____
5.	360-14-0700	Coinco coin door w/ 2 keys	_____	_____
6.	370-10-0500	T.V. bezel silk screened	_____	_____
7.	370-06-0100	Marquee(silk screened)	_____	_____
8.	370-14-0100	Control panel wired	_____	_____
9.	370-01-0100	Manual & schematics	_____	_____
10.	50250018	19" Electrohome monitor assy.	_____	_____
11.	50250021	19" Wells Gardner monitor assy.	_____	_____
12.	50350001	Power Supply	_____	_____
13.	370-01-0800	Control panel w/ overlay	_____	_____
14.	50130047	Switch & bracket	_____	_____
15.	370-01-0300	P.C.Bds. assy. (2 bds.)	_____	_____
16.	366-12-0300	Wells Gardner signal harness	_____	_____
17.	364-12-0500B	Electrohome signal harness	_____	_____
18.	361-04-1000	Viewing glass (front plexi)	_____	_____
19.	370-06-0200	Left side decal	_____	_____
20.	370-06-0300	Right side decal	_____	_____
21.	50130049	Red button	_____	_____
22.	50130048	White button	_____	_____
23.	361-03-0600	Deck & angle glass bracket bottom	_____	_____
24.	364-03-0100	Control deck steel	_____	_____
25.	370-06-0400	Control deck overlay	_____	_____
26.	50170045	50 pin flat ribbon cable	_____	_____
27.	50150259	50 pin P.C.B. header	_____	_____
28.	235-8-45	Master lock w/ key	_____	_____
29.	235-8-44K	#8013 keys only	_____	_____
30.	235-8-44K	#1247 keys only	_____	_____
31.	235-8-44	Lock w/key cabinet #1247	_____	_____
32.	50330013	C.P.U. board only	_____	_____
33.	50330014	R.O.M. board only	_____	_____
34.	50130064	Micro switch on joystick bottom	_____	_____
35.	361-03-0200	Deck & glass top bracket	_____	_____
36.	235-8-9	Leg levellers	_____	_____
37.	50200011	Speaker 5" round 8 ohms	_____	_____
38.	370-01-1200	Single P.C. board	_____	_____

Please order by parts number if possible. Prices available on request
NO REPAIR OR CREDITS will be issued without an RGA number (Return Goods
 Authorization) to obtain one please call the Parts Dept. @305-558-5200
 On Repairs in warranty serial numbers of items being returned and GAME
 serial numbers must be given at time of R.G.A. Without this information
 repair charges will be applied.



13" "PLEIADES" COCKTAIL TABLE



Pleiades Cocktail table by Centuri, Inc. Parts List

1.	371-01-0600	Top cover final assy.	_____	_____
2.	371-01-0500	C.P.U. holding assy.	_____	_____
3.	371-14-0100	Control panel wired	_____	_____
4.	367-01-1000	Transformer & power Supply	_____	_____
5.	50350001	Power Supply	_____	_____
6.	50250017	14" Sanyo Monitor assy.	_____	_____
7.	50250016	13" Electrohome monitor assy.	_____	_____
8.	371-01-0600	Manual & Schematics	_____	_____
9.	352-01-0500	Extension leg assy.	_____	_____
10.	352-01-1100	Cash box assy.	_____	_____
11.	235-8-44	Forte lock (cabinet lock)	_____	_____
12.	352-01-1200	Cash box weld. assy.	_____	_____
13.	352-01-0400	Top cover assy.	_____	_____
14.	371-06-0100	Top glass silk screened	_____	_____
15.	358-05-0200	CRT bezel 13"	_____	_____
16.	363-03-0800	Top cover corner molding	_____	_____
17.	352-03-2600	Top cover hold down bracket	_____	_____
18.	371-01-0900	Control deck assy.	_____	_____
19.	371-03-0100	Control panel	_____	_____
20.	50130047	Switch & bracket	_____	_____
21.	50130048	White button	_____	_____
22.	50130049	Red button	_____	_____
23.	367-03-0500	Coin acceptor frame	_____	_____
24.	50200011	Speaker 5" round 8 ohms	_____	_____
25.	370-01-0300	P.C.B. assy. (2bds.)	_____	_____
26.	50330013	C.P.U. board only	_____	_____
27.	50330014	R.O.M. board only	_____	_____
28.	50170045	50 pin conductor flat cable	_____	_____
29.	370-01-1200	Single P.C. board	_____	_____

Please order by parts number if possible. Prices available on request.
 25.00 minimum order. NO REPAIRS OR CREDITS will be issued without
 an RGA number (Return Goods Authorization) to obtain one please call
 the Parts Dept. @305-558-5200. On Repairs in warranty serial numbers of
 items and GAME serial numbers must be given at time of RGA. Without
 this information repair charges will be applied.

C.P.U. BOARD ASSY. PLEIADES CENTURI, INC.

1.	50210224	C.P.U. Printed Circuit Bd.	_____
2.	50010252LS	74LS374, loc.# IC1,IC27,IC34	_____
3.	50010249LS	74LS245, loc.# IC2	_____
4.	50010045	74157, loc.# IC3,IC38	_____
5.	50010002LS	74LS00, loc.# IC4,IC6,IC37	_____
6.	50010275LS	74LS136, loc.# IC5,IC13	_____
7.	50010277	8085 C.P.U.	_____
8.	50010248LS	74LS138, loc.#IC9,IC16	_____
9.	50010141LS	74LS125, loc.#IC10	_____
10.	50010281	MC14006B, loc.# IC14	_____
11.	50010301LS	74LS32, loc# IC17,IC19,IC24,IC30	_____
12.	50010030LS	74LS174, loc.# IC18	_____
13.	50010096LS	74LS08, loc.# IC20	_____
14.	50010170LS	74LS14, loc.# IC21	_____
15.	50010231	7611-5(HARRIS BIPOLAR PROM)IC33B, IC26	_____
16.	50010221LS	74LS163, loc.# IC28, IC41	_____
17.	50010136	4066, loc# IC29	_____
18.	50010273LS	74LS244, loc.# IC31, IC32	_____
19.	50010197	7405, loc.# IC35	_____
20.	50010254	LM324, loc# IC36, IC43	_____
21.	50010142	7407, loc.#IC40	_____
22.	50010043	556, loc.# IC7,15,22,45	_____
23.	50010019LS	74LS74,loc.# IC42	_____
24.	50010309	7910E, loc-# IC44	_____
25.	50010054	LM380, loc.# IC46	_____
26.	50130034	Dip Switch, 8 position, loc.# IC39	_____
27.	50030063	10 K ohm, $\frac{1}{2}$ W. 5% res. loc# R1,R11,13,19,24, 39,41,44,45,59,60,91,97	_____
28.	50030256	100 ohm, $\frac{1}{2}$ W. 5% resis. loc.# R2,16,30, 53,54,68,69,70	_____
29.	50030051	1K ohm, $\frac{1}{2}$ W. 5% res. loc.# R3,8,14,15, 20,21,29,31,36,47,50,57,61,85,86,92, 99,104	_____
30.	50030215	20K ohm, $\frac{1}{2}$ W. 5% res. loc.# R4,7,17,23, 40,49,55,74,84,95,96,102,103,75	_____
31.	50030265	510 Kohm, $\frac{1}{2}$ W. 5% res. loc.# R9,34,43,87,88,58	_____
32.	50030276	270K ohm, $\frac{1}{2}$ W. 5% res. loc.# R10	_____
33.	50030275	200K ohm, $\frac{1}{2}$ W. 5% res. loc.# R12,37,100	_____
34.	50030086	33K ohm, $\frac{1}{2}$ W. 5% res. loc.# R22,32,101	_____
35.	50030095	330 ohm, $\frac{1}{2}$ W. 5% res. loc.# R25,26,27,28	_____
36.	50030195	2K ohm, $\frac{1}{2}$ W. 5% res. R33,93,94	_____
37.	50030010	470 ohm, $\frac{1}{2}$ W. 5% res. R38	_____
38.	50030007	100K ohm, $\frac{1}{2}$ W. 5% res. R46,51,80,81,82,83,90	_____
39.	50030150	47K ohm, $\frac{1}{2}$ W. 5% res. R48,56,89,98	_____
40.	50030014	270 ohm, $\frac{1}{2}$ W. 5% res. R52,62,63,64,71,72,73	_____
41.	50030148	30K ohm, $\frac{1}{2}$ W. 5% res. R42	_____
42.	50030152	150 ohm, $\frac{1}{2}$ W. 5% res. R65,66,67	_____
43.	50120004	10K ohm, trimmer pot.- VR1	_____
44.	50100014	1N914 diode, D1-8	_____
45.	50150060	40 pin I.C. socket, IC8	_____
46.	50150111	16 pin I.C. socket, IC25,26,33,44,23,	_____
47.	50060189	470mfd,@25V. Electrolytic axial-C40	_____
48.	50060190	47mfd, @25V. " radial, C28,35,39, 43,44A	_____
49.	50060191	10mfd, @16V. Dipped tant. C1,23,26,27,30, 34,41,42,44B	_____

C. P. U. BOARD ASSY. PLEIADES CENTURI, INC.

50.	50040066	470pf 16V. CERAMIC-C2	_____
51.	50040011	0.00MFD 16V. CERAMIC-C3,4,5,6,7,11,38	_____
52.	50040172	0.01 MFD 16V. MYLAR-C12	_____
53.	50040173	0.001 mfd 16V. MYLAR-C14	_____
54.	50040082	0.047 mfd 25V. CERAMIC-C15,16,21,24,25,29	_____
55.	50060192	6.8 mfd 16V. DIPPED TANT.-C17,19,22,43	_____
56.	50060193	2.2 mfd 16V. DIPPED TANT.-C18, 20	_____
57.	50040171	47 pf 16V. CERAMIC-C46	_____
58.	50040174	0.1 mfd 25V. MYLAR-C101-114	_____
59.	50150256	50 PIN P.C.B. HEADER, ANSLEY # 609-5007ES	_____
60.	50170050	INSULATED SOLID WIRE 30 AWG. (FOR MODS.)	_____
61.	50040001	0.1 mfd 25V. CERAMIC-C8, 37	_____
62.	50040049	0.01 mfd 25V. CERAMIC-C9,10,13,36	_____
63.	50150110	14 PIN SOCKET-IC12	_____
64.	50360006	1 K Ohm 9 Pin RESITOR PAK	_____
65.	50360007	1 K Ohm 5 Pin RESISTOR PAK	_____
66.	50360011	1 K OHM 10 PIN RESISTOR PAK	_____
67.	50360012	1 K OHM 6 PIN RESISTOR PAK	_____
68.	50150306	5 PIN SOCKET	_____
69.	50150307	18 PIN SOCKET	_____
70.	370-01-1200	Single P.C. Board assy.	_____

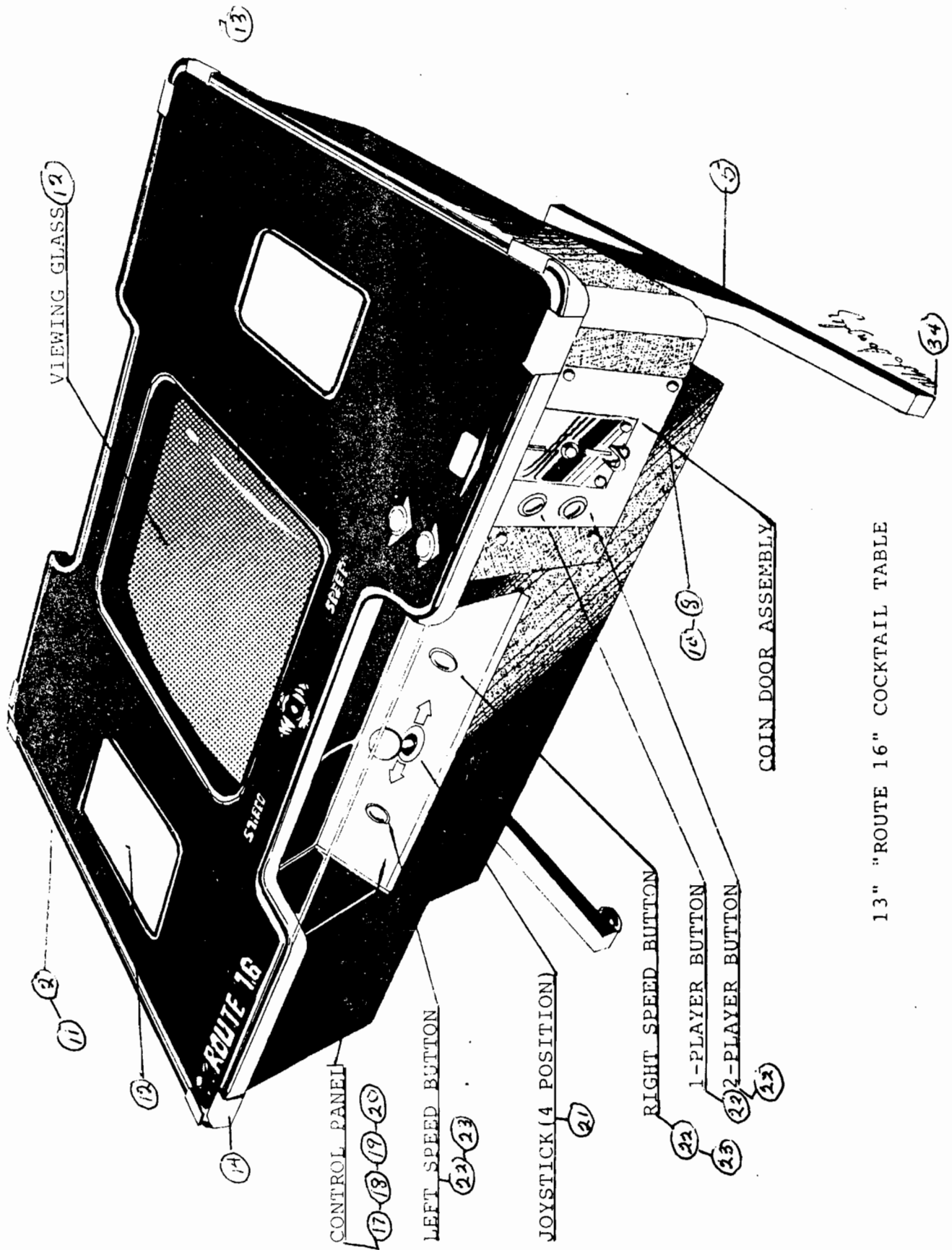
R.O.M. BOARD ASSY. PLEIADES

1.	50210225	R.O.M. Printed Circuit Board	_____
2.	50010005	7404-IC1	_____
3.	50010221LS	74LS163-IC2,7,20,38	_____
4.	50010022LS	74LS86-I63,8,21,30	_____
5.	50010262LS	74LS283-IC4, 9, 39	_____
6.	50010096LS	74LS08-IC5	_____
7.	50010248LS	74LS138-IC6, 29	_____
8.	50010252LS	74LS374-IC10,18,36	_____
9.	50010002LS	74LS00-IC11	_____
10.	50010019LS	74LS74-IC12	_____
11.	50010045	74157-IC13,14,31,32..	_____
12.	50010093LS	74LS151-IC15,19,33,37	_____
13.	50010030LS	74LS174-IC16,17,34,35	_____
14.	50010310	2114-IC23,22,24,25,40,41,42,43 (200ns)	_____
15.	50010171	2716 EPROM SINGLE SUPLLY-IC26,IC27, IC44, IC45, IC47,54	_____
16.	50010249LS	74LS245-IC28,46	_____
17.	50010273LS	74LS244-IC55	_____
18.	50030004	1.2K OHM, $\frac{1}{4}$ W.,5%res.-R1,2	_____
19.	50030256	100 OHM, $\frac{1}{4}$ W.,5%res.-R3	_____
20.	50070014	11.000 MHZ-CRYSTAL	_____
21.	50150061	24 PIN I.C. SOCKET-I.C.26,27,44,45,47, 54	_____
22.	50060190	47mfd @ 25V. RADIAL LYTIC-C101	_____
23.	50040066	470pf 16 V. CERAMIC-C3,4	_____
24.	50040141	1000 pf 50V CERAMIC DISC-C1, 2	_____
25.	50040142	150 pf. 50V. CERAMIC-MOD.	_____
26.	50040174	0.1 mfd 25V. MYLAR-C102-115	_____
27.	50150256	50 PIN P.C.B. HEADER, ANSLEY # 609-5007ES	_____

Route 16 Upright game Parts List Centuri, Inc.

1.	359-14-0700	Coinco Coin Door	_____	_____
2.	50250021	Wells Gardner 19" monitor	_____	_____
3.	361-03-0100	Glass holding brackets	_____	_____
4.	366-10-0100	Bezel T.V.	_____	_____
5.	366-06-0300	Marquee (logo) silk screened	_____	_____
6.	343-03-0200	Top angle hold down bracket	_____	_____
7.	361-04-1000	Viewing glass #2094	_____	_____
8.	366-06-0100	Left side decal	_____	_____
9.	366-06-0200	Right side decal	_____	_____
10.	366-01-0700	Manual & Schematics	_____	_____
11.	366-12-0300	Wells Gardner signal harness	_____	_____
12.	361-03-0500	Deck hold down bracket	_____	_____
13.	235-8-44	Forte lock w/tongue #8013	_____	_____
14.	361-14-0300A	Flourescent lamp wired assy.	_____	_____
15.	50280061	Isolation transformer	_____	_____
16.	366-01-0500	Control deck & overlay assy.	_____	_____
17.	50130047	Switch & Bracket	_____	_____
18.	50130048	White button	_____	_____
19.	50130049	Red button	_____	_____
20.	361-10-0600	Hinge control deck	_____	_____
21.	50130057	Joystick assy. 4 position	_____	_____
22.	361-03-0600	Deck & glass angle bracket	_____	_____
23.	366-06-0400	Control panel overlay	_____	_____
24.	366-14-0100	Control panel wired assy.	_____	_____
25.	366-12-0100	C.P.U. harness (36 pin)	_____	_____
26.	276-01-44	Cash box	_____	_____
27.	315-03-28A	Cash box lid	_____	_____
28.	235-8-9	Leg levellers	_____	_____
29.	50270116	50¢ coin plexi	_____	_____
30.	50130072	Micro switch for joystick	_____	_____
31.	50330010	R.O.M. A-6 printed circuit board	_____	_____
32.	50330011	C.P.U. sub. assy.	_____	_____
33.	366-01-0600	Printed circuit boards assy.	_____	_____
34.	50350001	Power Supply	_____	_____
35.	364-10-0300	P.C.B. Interconnect cable 50 pin	_____	_____

Please order by parts number if possible. Prices available on request.
 \$25.00 minimum order. NO REPAIRS OR CREDITS will be issued without an RGA
 (RETURN GOODS AUTHORIZATION) number. Please call the Parts Dept. to obtain one
 @305-558-5200, On Repairs or credits in warranty serial numbers of items
 and games must be given at time of RGA. Without these numbers a repair
 charg will be applied.



VIEWING GLASS (12)

(11)

(12)

(14)

ROUTE 16

SPEED

CONTROL PANEL

(17) (18) (19) (20)

LEFT SPEED BUTTON

(22) (23)

JOYSTICK (4 POSITION)

(21)

RIGHT SPEED BUTTON

(24)

1-PLAYER BUTTON

(25)

2-PLAYER BUTTON

(26)

COIN DOOR ASSEMBLY

(15) (16)

(13)

13 "ROUTE 16" COCKTAIL TABLE

PARTS LIST FOR RT. 16 COCKTAIL TABLE , CENTURI, INC.

1.	50200011	Speaker 5" round 8 ohms 8W.	_____	_____
2.	367-01-1500	Manual & Schematics	_____	_____
3.	352-01-0500	Extension leg assy.	_____	_____
4.	235-8-44	Forte lock	_____	_____
5.	352-01-1100	Cash box assy. w/ key	_____	_____
6.	235-8-45	Forte lock w/ 2keys	_____	_____
7.	352-01-1200	Cash box	_____	_____
8.	367-06-0100	Top glass (si-k screened)	_____	_____
9.	358-05-0200	Bezel 13" CRT cover	_____	_____
10.	363-03-0800	Glass holding bracket	_____	_____
11.	352-03-2600	Top cover hold down bracket	_____	_____
12.	367-01-1200	C.P.U. holding assy.	_____	_____
13.	367-14-0100	Control panel wired assy.	_____	_____
14.	50130060	Joystick assy. (4 position)	_____	_____
15.	50130047	Switch & bracket for button	_____	_____
16.	50130048	White button	_____	_____
17.	50130049	Red button	_____	_____
18.	50350001	Power Supply	_____	_____
19.	50280061	Isolation transformer	_____	_____
20.	367-12-0100	C.P.U. harness 36 pin	_____	_____
21.	50250017	14" Sanyo monitor	_____	_____
22.	235-8-9	Leg levellers	_____	_____
23.	366-01-0600	P.C. B. assy. (2bds.)	_____	_____
24.	50330010	R.O.M. a6 P.C.B. (bd. only)	_____	_____
25.	50330011	C.P.U. board only	_____	_____
26.	358-01-1400	Coin counter	_____	_____
27.	50130064	Micro switch (Japanese)	_____	_____
28.	50250023	14" NEC monitor #C0141061	_____	_____
29.	50130059	Red Knob & shaft (Japanese)	_____	_____
30.	50130071	Red Knob & shaft (American)	_____	_____

Please order by parts number if possible. Prices available on request.
 \$25.00 minimum order. NO REPAIRS OR CREDITS will be issued without an RGA#
 (RETURN GOODS AUTHORIZATION) please call the Parts Dept. to obtain one.
 @ 305-558-5200. For repairs under warranty serial numbers of boards,
 monitors, power supplies etc. must be given at time of RGA aso GAME
 serial numbers. Without these repair charges will be applied.

R.O.M. A6 Printed circuit board Rt.16, U/R & C/T

- | | | | |
|-----|------------|--|-------|
| 1. | 50010306 | MB 8841 | _____ |
| 2. | 50010264LS | 74LS368 | _____ |
| 3. | 50010105LS | 74LS32 | _____ |
| 4. | 50010139LS | 74LS175 | _____ |
| 5. | 50040002 | .1mfd, 50V. ceramic disc capacitor | _____ |
| 6. | 50040141 | .001mfd, 50V. ceramic disc capacitor | _____ |
| 7. | 50040170 | 220PF , 50V. " " " | _____ |
| 8. | 50060178 | 4.7mfd, 10V. Tantalum capacitor | _____ |
| 9. | 50100014 | 1N914 Diode | _____ |
| 10. | 50030063 | 10K, $\frac{1}{4}$ W., 5% resistor | _____ |
| 11. | 50030147 | 6.8K ohm $\frac{1}{4}$ W., 5% resistor | _____ |
| 12. | 50210222 | Printed circuit board | _____ |
| 13. | 50150297 | Square pin straight wafer molex 22-03-2121 | _____ |
| 14. | | | |

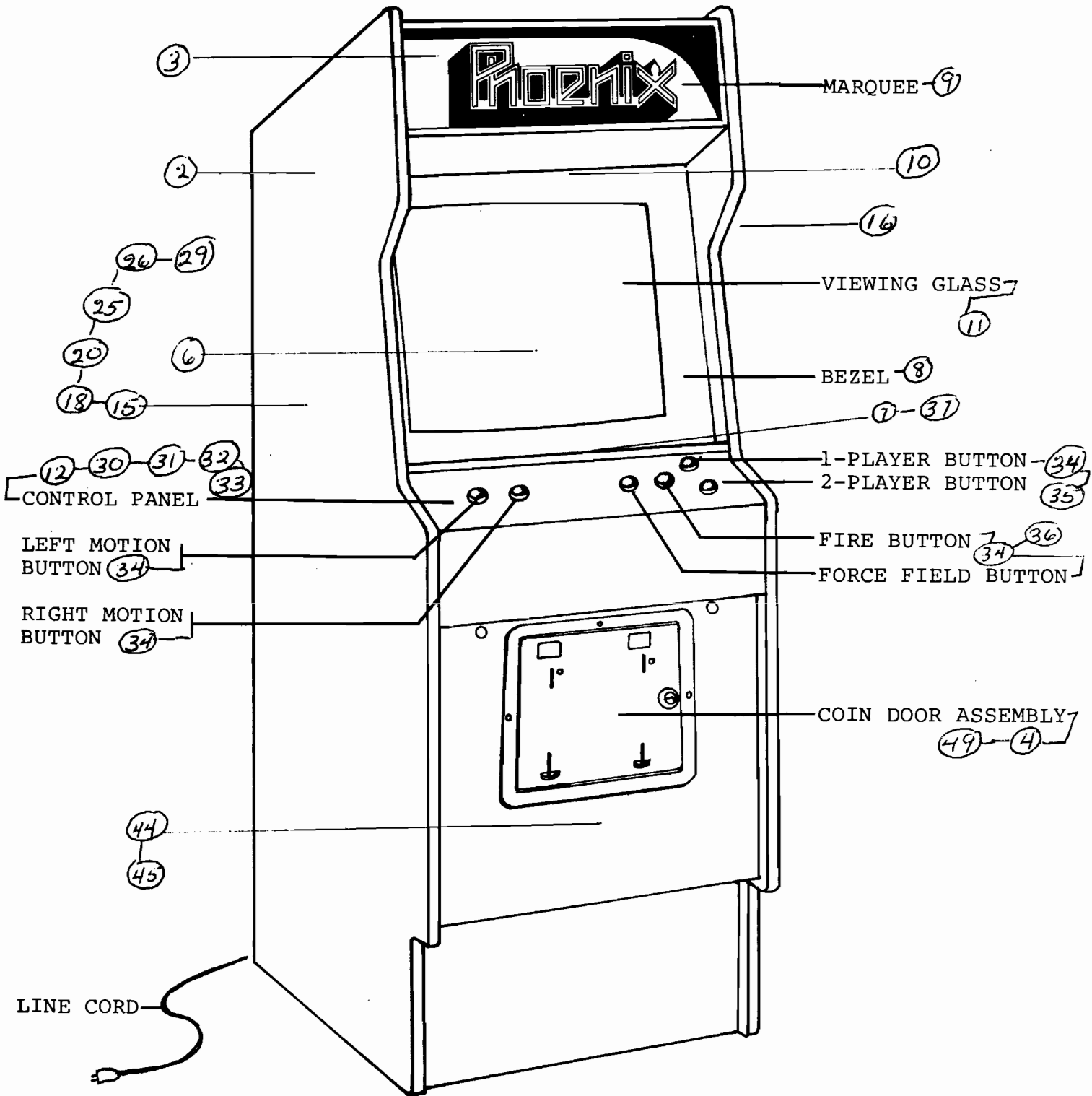
C.P.U. board assy. Rt. 16 U/R & C/T

1.	50010233	TMS 4116 I.C.
2.	50010028LS	74LS153 I.C.
3.	50010019LS	74LS74 I.C.
4.	50010045LS	74LS157 I.C.
5.	50010096LS	74LS08 I.C.
6.	50010002LS	74LS00 I.C.
7.	50010025LS	74LS95 I.C.
8.	50010007LS	74LS10 I.C.
9.	50010005LS	74LS04 I.C.
10.	50010008LS	74LS20 I.C.
11.	50010022LS	74LS86 I.C.
12.	50010264LS	74LS368 I.C.
13.	50010012LS	74LS30 I.C.
14.	50010204LS	74LS393 I.C.
15.	50010139LS	74LS175 I.C.
16.	50010014LS	74LS42 I.C.
17.	50010105LS	74LS32 I.C.
18.	50010242	2114 (MPD 2114 LC-3)
19.	50010195LS	74LS367
20.	50010305	MB 7052
21.	50010030LS	74LS174
22.	50010004LS	74LS02
23.	50010171	2716
24.	50010187	Z-80 C.P.U.
25.	50010307	7946 (Sound Chip AY-3-8910)
26.	50130034	8 position DIP switch
27.	50040002	.1mfd, 50V., ceramic disc capacitor
28.	50040066	470PF, 50V., ceramic disc capacitor
29.	50040005	0.01 mfd, 50V., ceramic disc capacitor
30.	50040168	30PF, 50V., ceramic disc capacitor
31.	50040141	0.001mfd, 50V., ceramic disc capacitor
32.	50030095	330 ohm, ½W., 5% resistor
33.	50030063	10K ohm, ½W., 5% resistor
34.	50030150	47K ohm, ½W., 5% resistor
35.	50040125	220 Ohm, ½W., 5% resistor
36.	50030310	560 ohm, ½W., 5% resistor
37.	50030091	56K ohm, ½W., 5% resistor
38.	50030185	1.8 K ohm, ½W., 5% resistor
39.	50030051	1 K ohm, ½W., 5% resistor
40.	50030007	100K ohm, ½W., 5% resistor
41.	50360010	2.2K ohm, ½W., 9-pin SIP Pkg.resistor
42.	50070016	10MH Crystal
43.	50020065	TIP ^Z 120 NPN Darlington Transistor
44.	50060176	0.47mfd, 16V., Tantalum capacitor
45.	50060177	100mfd, 16V., Radial Electrolytic Cap.
46.	50060156	10mfd, 16V., " " "
47.	50060139	47mfd, 16V., " " "
48.	50040169	.1mfd, 50V., Mylar capacitor
49.	50150111	16-pin I.C. Socket
50.	50150061	24-pin I.C. "
51.	50150112	18-pin I.C. "
52.	50150060	40-pin I.C. "
53.	50010271	MB3713 Audio amplifier
54.	50100014	1N914
55.	50080034	100K Potentiometer, CTS 375V.
56.	50210223	P.C.B. Route 16, C.P.U. logic
57.	50175506	Jumper, 22 ga., insulated wire

C.P.U. board assy. Rt. 16 U/R & C/T

58.	50010223	TMS 4116	I.C.	_____
59.	50010028LS	74LS153	I.C.	_____
60.	50010019LS	74LS74	I.C.	_____
61.	50010045LS	74LS157	I.C.	_____
62.	50010096LS	74LS08	I.C.	_____
63.	50010002LS	74LS00	I.C.	_____
64.	50010025LS	74LS95	I.C.	_____
65.	50010007LS	74LS10	I.C.	_____
66.	50010005LS	74LS04	I.C.	_____
67.	50010008LS	74LS20	I.C.	_____
68.	50010022LS	74LS86	I.C.	_____
69.	50010264LS	74LS368	I.C.	_____
70.	50010012LS	74LS30	I.C.	_____
71.	50010204LS	74LS393	I.C.	_____
72.	50010139LS	74LS175	I.C.	_____
73.	50010014LS	74LS42	I.C.	_____
74.	50010105LS	74LS32	I.C.	_____
75.	50010242	2114 (MPD 2114 LC-3)		_____
76.	50010195LS	74LS367		_____
77.	50010305	MB7052 or SN74S287		_____
78.	50010030LS	74LS174		_____
79.	50010004LS	74LS02		_____
80.	50010171	2716 Or 46271		_____
81.	50010187	Z-80 C.P.U.		_____
82.	50010307	7946 (Sound Chip AY-3-8910)		_____
83.				_____

Centuri, Inc.
1780 W. 4th Ave.
Hialeah, Fla. 33010



19" PHOENIX VIDEO UPRIGHT



Logic bd. assy. Phoenix Upright game CENTURI, INC. #50330009

1.	50010221LS	74LS163 I.C.	_____
2.	50010022LS	74LS86 I.C.	_____
3.	50010019LS	74LS74 I.C.	_____
4.	50010247LS	74LS132 I.C.	_____
5.	50010262LS	74LS283 I.C.	_____
6.	50010252LS	74LS374 I.C.	_____
7.	50010093LS	74LS151 I.C.	_____
8.	50010030LS	74LS174 I.C.	_____
9.	50010045LS	74LS157 I.C.	_____
10.	50010249LS	74LS245 I.C.	_____
11.	50010005	7404 I.C.	_____
12.	50010171	2716 I.C.	_____
13.	50010242	2114 I.C.	_____
14.	50010273LS	74LS244 I.C.	_____
15.	50040082	.047 mfd, @25V. disc ceramic cap.	_____
16.	50040141	.001 mfd, @50V. " " "	_____
17.	50040049	.01 mfd, @25V, " " "	_____
18.	50040150	390PF, @25V. " " "	_____
19.	50040001	.1 mfd, @25V, " " "	_____
20.	50040142	150PF, @50V. " " "	_____
21.	50060028	22mfd Aluminum Elect. rad. cap.	_____
22.	50070014	Crystal 11 mhz.	_____
23.	50030004	1.2K, ½W. 5% resistor	_____
24.	50030111	100 ohm, ½W. 5% resistor	_____
25.	50150110	14-pin solder tail socket, low profile	_____
26.	50150111	16-pin " " " " "	_____
27.	50150112	18-pin " " " " "	_____
28.	50150158	20-pin " " " " "	_____
29.	50150061	24-pin " " " " "	_____
30.	50150256	50-pin P.C.B. header, Anley #609-5007ES	_____
31.	50210216	P.C. Board, Logic	_____

19" Phoenix Upright game by Centuri, Inc. PARTS LIST

1.	361-14-0300A	Flourescent lamp assy.	_____	_____
2.	360-14-0700	Coinco Coin Door assy.	_____	_____
3.	361-03-0100	Glass holding brackets	_____	_____
4.	361-10-0400	T.V. Bezel	_____	_____
5.	364-06-0300	Marquee (logo) silk screened	_____	_____
6.	343-03-0200	Top angle hold down brkt.	_____	_____
7.	364-04-0100	Viewing glass (front plexi)	_____	_____
8.	364-10-0600	Ground wire assy. Coin door	_____	_____
9.	364-10-0600	Ground wire assy. Control panel	_____	_____
10.	364-06-0100	Left side decal	_____	_____
11.	364-06-0200	Right side decal	_____	_____
12.	50250019	19" Toei monitor assy.	_____	_____
13.	364-01-1000	Manual & Schematics	_____	_____
14.	50270132	19" Sanyo monitor assy.	_____	_____
15.	364-12-0400	Sanyo monitor signal harness	_____	_____
16.	50250018	19" Electrohome monitor assy.	_____	_____
17.	50270153	19" Electrohome CRT Tube only	_____	_____
18.	50270135	19" Toei CRT Tube only	_____	_____
19.	50280061	Isolation transformer	_____	_____
20.	50330012	Toei chassis only	_____	_____
21.	364-12-1010	C.P.U. harness	_____	_____
22.	361-12-0600	Toei monitor signal harness	_____	_____
23.	50150282	36 pin dual 18 edge connector	_____	_____
24.	50150268	24 pin amp receptacle	_____	_____
25.	364-01-0700	Control deck assy.	_____	_____
26.	364-06-0400	Control panel overlay	_____	_____
27.	50130047	Switch & Bracket	_____	_____
28.	50130048	White button	_____	_____
29.	50130049	Red button	_____	_____
30.	361-03-0600	Deck & angle glass brckt.	_____	_____
31.	364-01-0500	P.C. bds. assy.	_____	_____
32.	50330008	C.P.U. bd. only	_____	_____
33.	50330009	Logic bd. only	_____	_____
34.	50170045	50 pin conductor cable flat	_____	_____
35.	364-10-0300	C.P.U. Interconnect cable	_____	_____
36.	276-01-44	Cash box	_____	_____
37.	315-03-28A	Cash box lid	_____	_____
38.	50270116	50c coin plexi	_____	_____
39.	50350001	Power Supply (Shendengen)	_____	_____
40.	359-14-0700	Coin door assy.	_____	_____
41.	50330012	Toei chassis only	_____	_____

Please order by parts numbers if possible. Prices available on request. 25.00 minimum order. NO REPAIRS OR CREDITS will be issued without an RGA number (Return Goods Authorization), to obtain one please call the Parts Dept. @305-558-5200. On Repairs in warranty the serial number of items and GAME serial numbers must be given at time of RGA. Without this information repair charges will be applied.

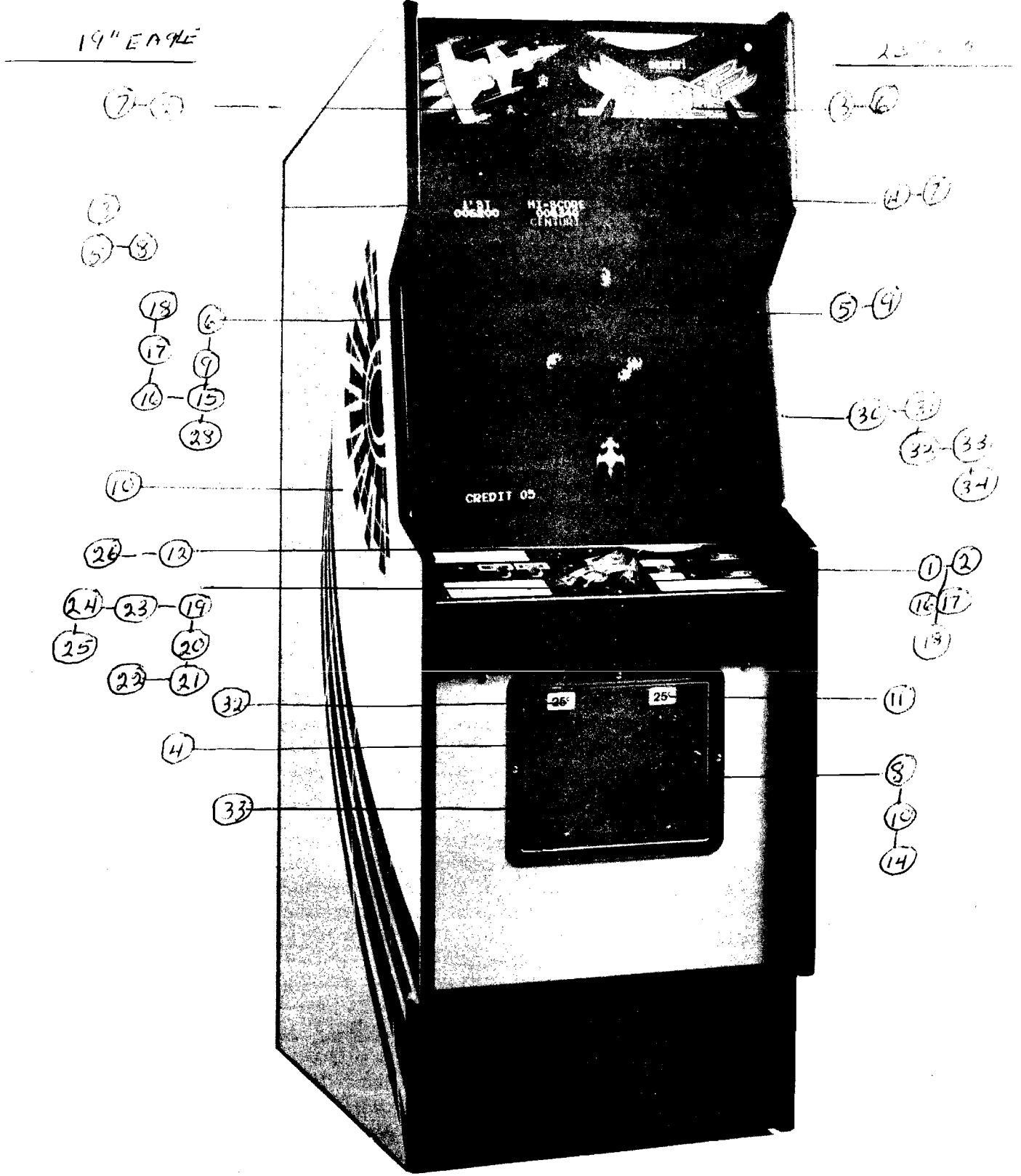
C.P.U. board assy. Phoenix upright, Centuri, Inc. # 50330008

1.	50010302	MN6221AB	I.C.	49 C.P.U. 18 pin device	
2.	50010249LS	74LS245	I.C.		
3.	50010252LS	74LS374	I.C.		
4.	50010273LS	74LS244	I.C.		
5.	50010275LS	74LS136	I.C.		
6.	50010248LS	74LS138	I.C.		
7.	50010221LS	74LS163	I.C.		
8.	50020045LS	74LS157	I.C.		
9.	50010002LS	74LS00	I.C.		
10.	50010096LS	74LS08	I.C.		
11.	50010141LS	74LS125	I.C.		
12.	50010105LS	74LS32	I.C.		
13.	50010170LS	74LS14	I.C.		
14.	50010019LS	74LS74	I.C.		
15.	50010026LS	74LS107	I.C.		
16.	50010030LS	74LS174	I.C.		
17.	50010276LS	74LS470	I.C.		
18.	50010197	7405	I.C.	(Mitsubishi M53205P)	
19.	50010142	7407	I.C.		
20.	50010277	8085	C.P.U.		
21.	50010054	LM380	I.C.		
22.	50010254	LM324	I.C.		
23.	50010001	555 Timer	I.C.		
24.	50010281	4006	I.C.		
25.	50020086	2SA564	Transistor		
26.	50040082	.047 mfd, @25V.	Ceramic disc cap.		
27.	50040001	.1 mfd, @25V.	" " "		
28.	50040141	.001 mfd, @50V.	" " "		
29.	50040151	330 PF, 25V.	" " "		
30.	50040049	.01 mfd, @25V.	" " "		
31.	50040153	.022 mfd, @25V.	" " "		
32.	50060104	47mfd, @50V.	Aluminum Electr. Rad. cap.		
33.	50060031	100 mfd, @25V.	" " " "		
34.	50060126	470 mfd, @30V.,	" " " "		
35.	50060120	10 mfd, @16V.	" " " "		
36.	50060165	10 mfd, @25V.	Dipped Tantalum Cap.		
37.	50060166	.47 mfd, @35V.	" " "		
38.	50060163	1 mfd, @35V.	" " "		
39.	50060145	6.8 mfd @25V.	" " "		
40.	50120004	10K P.C.B. Trimmer	Potentiometer		
41.	50360007	5-pin resistor,	1K ohm		
42.	50360006	9-pin resistor pack,	1K ohm		
43.	50030256	100 ohm $\frac{1}{4}$ W.,	5% resistor		
44.	50030051	1K ohm $\frac{1}{4}$ W.,	5% resistor		
45.	50030056	2.7K ohm, $\frac{1}{4}$ W.,	5% resistor		
46.	50030063	10K ohm, $\frac{1}{4}$ W.	5% resistor		
47.	50030014	270 ohm, $\frac{1}{4}$ W.	5% resistor		
48.	50030150	47K ohm, $\frac{1}{4}$ W.	5% resistor		
49.	50030095	330 ohm, $\frac{1}{4}$ W.,	5% resistor		
50.	50030007	100K ohm, $\frac{1}{4}$ W.	5% resistor		
51.	50030010	470 ohm, $\frac{1}{4}$ W.	5% resistor		
52.	50030086	33K ohm, $\frac{1}{4}$ W.,	5% resistor		
53.	50030197	5.1K ohm, $\frac{1}{4}$ W.,	5% resistor		
54.	50030265	510 K, ohm $\frac{1}{4}$ W.	5% resistor		
55.	50030215	20K ohm, $\frac{1}{4}$ W.,	5% resistor		

C.P.U. board assy. #50330008 Phoenix upright, Centuri, Inc.

56.	50100014	1N914 Diode	_____
57.	50150214	8-pin solder tail socket ,low profile	_____
58.	50150060	40-pin " " " " "	_____
59.	50150158	20-pin " " " " "	_____
60.	50150110	14-pin " " " " "	_____
61.	50150111	16-pin " " " " "	_____
62.	50150112	18-pin " " " " "	_____
63.	50040136	.05 mfd, Mylar capacitor	_____
64.	50130034	Dip Switch, 8 position	_____
65.	50150256	50-pin PCB Header, Ainsley #609-5007ES	_____
66.	50210217	P.C. Board, C.P.U.	_____
67.	364-10-0300	P.C.B. Interconnect cable	_____

Eagle Upright game 19", 25", 14" by Centuri, Inc.



Eagle 25" Upright Game by Centuri, Inc.

1.	359-14-0100	Control panel final assy.	_____
2.	359-01-0400	Control panel assy.	_____
3.	359-06-0100	Screened Marquee (LOGO)	_____
4.	343-03-0200	Top angle hold down bracket	_____
5.	355-10-0500	Bezel CRT cardbord	_____
6.	338-01-2500	Flourescent lamp assy.	_____
7.	50200011	Speaker 5" round 8 ohm	_____
8.	359-14-0200	Coin door final assy.	_____
9.	355-04-0100	Viewing glass Bronz front plexi	_____
10.	235-8-44	Lock with key #8013	_____
11.	235-8-516	Coin acceptor America 25c	_____
12.	235-6-21	25c plastic insert	_____
13.	355-01-1500	Coin counter & bracket assy.	_____
14.	235-8-45	Coin door lock (Forte Lock)	_____
15.	50350001	Power Supply	_____
16.	264-5-35	White push button	_____
17.	264-5-36	Red push button	_____
18.	353-07-0100	Push button switch assy.	_____
19.	359-01-0800	P.C. boards assy.(4 boards)	_____
20.	50330003	Logic bd. only	_____
21.	50330004	C.P.U. bd. only	_____
22.	50330005	Large R.O.M. board	_____
23.	50330006	Small R.O.M. board	_____
24.	50150256	50 pin ribbon cable w/conn.& ejector	_____
25.	361-12-0300	C.P.U. harness 44 pin	_____
26.	276-01-44	Cash box	_____
27.	315-03-28A	Cash box lid	_____
28.	367-01-0000	Manual	_____
29.	361-06-0200	Left side decal	_____
30.	361-06-0300	Right side decal	_____
31.	50250013	25" Electrohome monitor assy.	_____
32.	355-10-0600	25" Electrohome CRT(tube only)	_____
33.	355-10-0700	25"Electrohome chassis	_____
34.	5010871	Color convergence board	_____

Please order by parts number if possible. \$25.00 minimum order. Prices available on request. No REPAIRS OR CREDITS will be issued without RGA# Return Goods Authorization numbers. Please call the Parts Dept. to obtain one # 305-558-5200.

For Repairs or credits serial numbers of boards, monitors power supplies etc. must be given at time of RGA, also GAME serial numbers to determine warranty. Without serial numbers repair charges will be made without this information.

EAGLE 19" UPRIGHT GAME BY CENTURI, INC.

1.	50350001	Power Supply	_____	_____
2.	361-14-0300	Flourescent lamp assy.	_____	_____
3.	5020004	Speaker 5" round 8 ohms	_____	_____
4.	359-14-0700	Coinco coin door	_____	_____
5.	361-03-0100	Glass holding brackets top	_____	_____
6.	361-10-0400	Bezel for (T.V.)	_____	_____
7.	359-06-0100	Marquee (logo) silk screened	_____	_____
8.	343-03-0200	Top angle hold down brackets	_____	_____
9.	361-04-1000	Viewing glass (front plexi)	_____	_____
10.	361-06-0200	Left side decal	_____	_____
11.	361-06-0300	Right side decal	_____	_____
12.	361-03-0500	Deck hold down bracket	_____	_____
13.	235-08-44	Cabinet lock #8013	_____	_____
14.	50280060,61,63	Isolation transformer	_____	_____
15.	50280019	19" Toei monitor assy.	_____	_____
16.	50250011	19" Wells Gardner monitor assy.	_____	_____
17.	50270135	19" Toei CRT(tube) #510UXB22	_____	_____
18.	50330012	19" Toei chassis #B20HC	_____	_____
19.	361-14-0400	Control deck wired assy.	_____	_____
20.	361-06-0100	Control panel overlay	_____	_____
21.	361-03-0400With	Control deck overlay	_____	_____
22.	361-03-0400	Control deck steel	_____	_____
23.	50130047	Switch & bracket assy.	_____	_____
24.	50130048	White button	_____	_____
25.	50130049	Red button	_____	_____
26.	361-03-0600	Deck & Glass angle bracket	_____	_____
27.	361-12-0300	C.P.U. harness 44 pin	_____	_____
28.	361-12-0600	Toei monitor signal harness	_____	_____
29.	276-01-44	Cash box	_____	_____
30.	315-03-28A	Cash box lid	_____	_____
31.	361-10-0300	Manual	_____	_____
32.	50270116	50¢ coin plexi	_____	_____
33.	315-1-64	Coin door frame	_____	_____
34.	359-01-0800	P.C. boards assy. (4bds.)	_____	_____
35.	50330003	Logic bd. only	_____	_____
36.	50330004	C.P.U. board only	_____	_____
37.	50330005	Large R.O.M. board only	_____	_____
38.	50330006	Small R.O.M. board only	_____	_____
39.	361-12-0300	44 pin conductor flat cable	_____	_____

Please order by parts numbers if possible. Prices available on request. NO REPAIRS OR CREDITS will be issued without an RGA#(Return Goods Authorization Number) please call the Parts Dept. to obtain one @305-558-5200. For Repairs under warranty serial numbers of boards, monitors, power supplie, etc. must be given at time of RGA also GAME SERIAL numbers,without this information a repair charge will applied.

14" Eagle Upright game by Centuri, Inc.

1.	50130041	SPST on/off switch	_____	_____
2.	360-04-1100	Viewing glass	_____	_____
3.	50130045	Safety switch	_____	_____
4.	360-08-0600	T.V. Bezel	_____	_____
5.	276-01-44	Cash box weld assy.	_____	_____
6.	360-03-1200	Cash box cover	_____	_____
7.	50270116	50¢ Sticker	_____	_____
8.	235-8-44	Forte Lock #8013 cabinet	_____	_____
9.	360-14-0100	Control panel final assy.	_____	_____
10.	360-08-0100	Control panel overlay	_____	_____
11.	50130047	Switch & Bracket	_____	_____
12.	50130048	White button	_____	_____
13.	50130049	Red button	_____	_____
14.	360-14-0700	Coin door final assy.	_____	_____
15.	50250017	14" Sanyo monitor assy.	_____	_____
16.	360-12-0600	T.V. harness for Sanyo 6 pin	_____	_____
17.	50350001	Power Supply	_____	_____
18.	359-01-0800	P.C. Boards assy. 4 boards	_____	_____
19.	50330003	Logic bd. only	_____	_____
20.	50330004	C.P.U. bd. only	_____	_____
21.	50330005	Large R.O.M. bd. only	_____	_____
22.	50350006	Small R.O.M. bd. only	_____	_____
23.	50280060,61,63	Transformer (Isolation)	_____	_____
24.	50270130	14" CRT Tube only for Sanyo	_____	_____
25.	361-12-0300	44 Pin conductor flat cable	_____	_____

Please order by parts number if possible. Prices available on request
 Minimum orders will be \$25.00. No REPAIRS OR CREDITS will be issued
 without an RGA number (RETURN GOODS AUTHORIZATION). For Repairs or credits
 Serial numbers of logic boards and game serial numbers must be given at
 time of R.G.A. to determine if under warranty, without game serial numbers
 repair charges will be made without this information.

Logic bd. assy., Eagle Upright, Centuri, Inc. #50330003

1.	50010002LS	74LS00, @2P,2R,2S	I.C.	_____
2.	50010004LS	74LS02, @3R,6D,6N	I.C.	_____
3.	50010005LS	74LS04, @6E	I.C.	_____
4.	50010096LS	74LS08, @2N,6H	I.C.	_____
5.	50010007LS	74LS10, @4P,5D	I.C.	_____
6.	50010008LS	74LS20, @3C,3N,3P	I.C.	_____
7.	50010012LS	74LS30, @2A,3M	I.C.	_____
8.	50010105LS	74LS32, @3S	I.C.	_____
9.	50010019LS	74LS74, @1C,2D,3D,5C,5P,6F,6S	I.C.	_____
10.	50010022LS	74LS86, @1M,2T,3B,4B,5B,6B	I.C.	_____
11.	50010026LS	74LS107, @1D	I.C.	_____
12.	50010192LS	74LS139, @4C,4D	I.C.	_____
13.	50010045LS	74LS157, @2E,2F,3E,3J,3L,4E,5E,6J,3K	I.C.	_____
14.	50010035LS	74LS161, @3A,4A,4R,4S,5A,5R,5S,6A	I.C.	_____
15.	50010221LS	74LS163, @4T,5T	I.C.	_____
16.	50010085LS	74LS164, @1A,1B	I.C.	_____
17.	50010030LS	74LS174, @1T	I.C.	_____
18.	50010139LS	74LS175, @6R	I.C.	_____
19.	50010222LS	74LS194, @2H,2J,2K,2L	I.C.	_____
20.	50010249LS	74LS245, @5J (can Sub. 8304)	I.C.	_____
21.	50010261LS	74LS273, @6M	I.C.	_____
22.	50010262LS	74LS283, @4N,5N	I.C.	_____
23.	50010263LS	74LS366, @2B	I.C.	_____
24.	50010195LS	74LS367, @4M,5L,5M	I.C.	_____
25.	50010264LS	74LS368, @1E	I.C.	_____
26.	50010252LS	74LS374, @2M,4L	I.C.	_____
27.	50010218LS	74LS377, @6P	I.C.	_____
28.	50010204LS	74LS393, @6T	I.C.	_____
29.	50010230	2101 A1-2, @4F, &H, 5F, &H	I.C.	_____
30.	50010242	2114-4, @3F, 3H	I.C.	_____
31.	50010270	6331-1J, @6L	I.C. (can sub. 82S123)	_____
32.	50010260	8216, (OPTIONAL) @4J, 4K	I.C.	_____
33.	50010269	93425, @1N, to 1S	I.C. (can sub Hitachi 2511-1)	_____
34.	50150061	24-pin socket, soldertail, @1H&J, 1K&L		_____
35.	50150018	22-pin " " " " @4F&H, 5F&H		_____
36.	50150111	16-pin " " " " @1N to 1S, 6L		_____
37.	50070013	18.432 MHZ Crystal, @1F		_____
38.	50150256	50-pin ribbon cable, conn.w/ejector, @CN12, CN22		_____
39.	50030256	100 ohm $\frac{1}{2}$ W., 5% resistor		_____
40.	50030152	150 ohm, $\frac{1}{2}$ W. 5% resistor		_____
41.	50030125	220 ohm, $\frac{1}{2}$ W., 5% resistor		_____
42.	50030095	330 ohm, $\frac{1}{2}$ W., 5% resistor		_____
43.	50030010	470 ohm, $\frac{1}{2}$ W., 5% resistor		_____
44.	50030051	1K ohm, $\frac{1}{2}$ W. 5% resistor		_____
45.	50040008	.1 mfd, @12V. Disc capacitor		_____
46.	50040141	.001 mfd, @50V " "		_____
47.	50040066	470 pf, @12V, " "		_____
48.	50040025	100 pf, @50V, " "		_____
49.	50060060	10 mfd, @50V, Electrolytic Axial		_____
50.	50210211	P.C. Board		_____
51.	50170045	50-conductor ribbon cable 6 inches		_____
52.	50150257	50-pin ribbon cable plug, W/strain relief		_____

CPU BOARD ASSY. EAGLE UPRIGHT GAME, CENTURI, INC. # 50330004

1.	50010002LS	I.C. 74LS00, @8L	_____
2.	50010248LS	I.C. 74LS138, @8M, 8N, 8P	_____
3.	50010192LS	I.C. 74LS139, @8E	_____
4.	50010035LS	I.C. 74LS161, @8K, 9K	_____
5.	50010249LS	I.C. 74LS245, @9B	_____
6.	50010224LS	I.C. 74LS259, @9L	_____
7.	50010195LS	I.C. 74LS367, @7D, 7E, 8D	_____
8.	50010264LS	I.C. 74LS368, @9C, 9D, 9E, 9F	_____
9.	50010252	I.C. 74LS374, @9J	_____
10.	50010268	I.C. 75462, @10L	_____
11.	50010187	I.C. Z80CPU, @8B	_____
12.	50010001	I.C. 555, @7S, 8R, 8S, 8T, 9R	_____
13.	50010254	I.C. LM324, @7T	_____
14.	50010242	I.C. 2114-4, @7N, 7P	_____
15.	50010271	I.C. Fujitsu MB3713 Audio amp, @10A, &B	_____
16.	50010266	I.C. MV14066B, (CMOS, QUAD, BILATERAL SW.) 7R	_____
17.	50010171	I.C. 2716 TMS E Prom, @7F, 7H, 7K, 7M	_____
18.	50130046	I.C. Dipswitch, 6 position, @10C	_____
19.	50150060	40-pin I.C. socket, soldertail, @8B	_____
20.	50150061	24-pin I.C. " " " , @7F, , H, K, M, 8F	_____
21.	50150111	16-pin I.C. " " " , @8J	_____
22.	50150256	50-pin ribbon cable con-.W/ejector@CN11, CN21	_____
23.	50030256	100 ohm, 1/4W. 5% resistor	_____
24.	50030125	220 ohm, 1/4W., 5% resistor	_____
25.	50030010	470 ohm, 1/4W., 5% resistor	_____
26.	50030213	820 ohm, 1/4W., 5% resistor	_____
27.	50030051	1K ohm, 1/4W. 5% resistor	_____
28.	50030001	2.2K ohm, 1/4W., 5% resistor	_____
29.	50030063	10K ohm, 1/4W., 5% resistor	_____
30.	50030146	15K, ohm, 1/4W. 5% resistor	_____
31.	50030151	22K ohm, 1/4W., 5% resistor	_____
32.	50030086	33K ohm, 1/4W. 5% resistor	_____
33.	50030150	47K ohm, 1/4W. 5% resistor	_____
34.	50030007	100K ohm, 1/4W., 5% resistor	_____
35.	50030155	150K ohm, 1/4W., 5% resistor	_____
36.	50030002	220K ohm, 1/4W., 5% resistor	_____
37.	50030003	330K ohm, 1/4W., 5% resistor	_____
38.	50030104	470K ohm, 1/4W., 5% resistor	_____
39.	50030092	1 meg. ohm, 1/4W. 5% resistor	_____
40.	50360005	S.I.P. resistor pack 1K ohm, 1/4W., 5% 9 pin	_____
41.	50120016	Potentiometer, 1K oh- miniature flush, mt.	_____
42.	50040010	Capacitor 0.1 mfd @16V disc	_____
43.	50040116	" .01 mfd, @50V "	_____
44.	50040141	" .001 mfd, @50V "	_____
45.	50040134	" .01 mfd, @25V mylar	_____
46.	50060152	" 1 mfd, @25V, Tantalum	_____
47.	50060147	" 2.2 mfd, @16V, "	_____
48.	50060060	" 10 mfd, @50V, Electrolytic, axial	_____
49.	50060014	" 47 mfd, @10V, " "	_____
50.	50060007	" 470 mfd, @16V " "	_____
51.	50060107	" 1000 mfd, @16V. " "	_____
52.	50100014	Diode 1N914 or small signal equivalent	_____
53.	50020080	Transistor, A1015 PNP, small signal type	_____
54.	50210210	P.C. Board	_____
55.	50150257	50-pin ribbon cable plug, W/strain relief	_____

EAGLE UPRIGHT GAME

Large R.O.M. BOARD (1-5/8"x 6-3/8") fits CPU board.#50330005 Centuri, Inc.

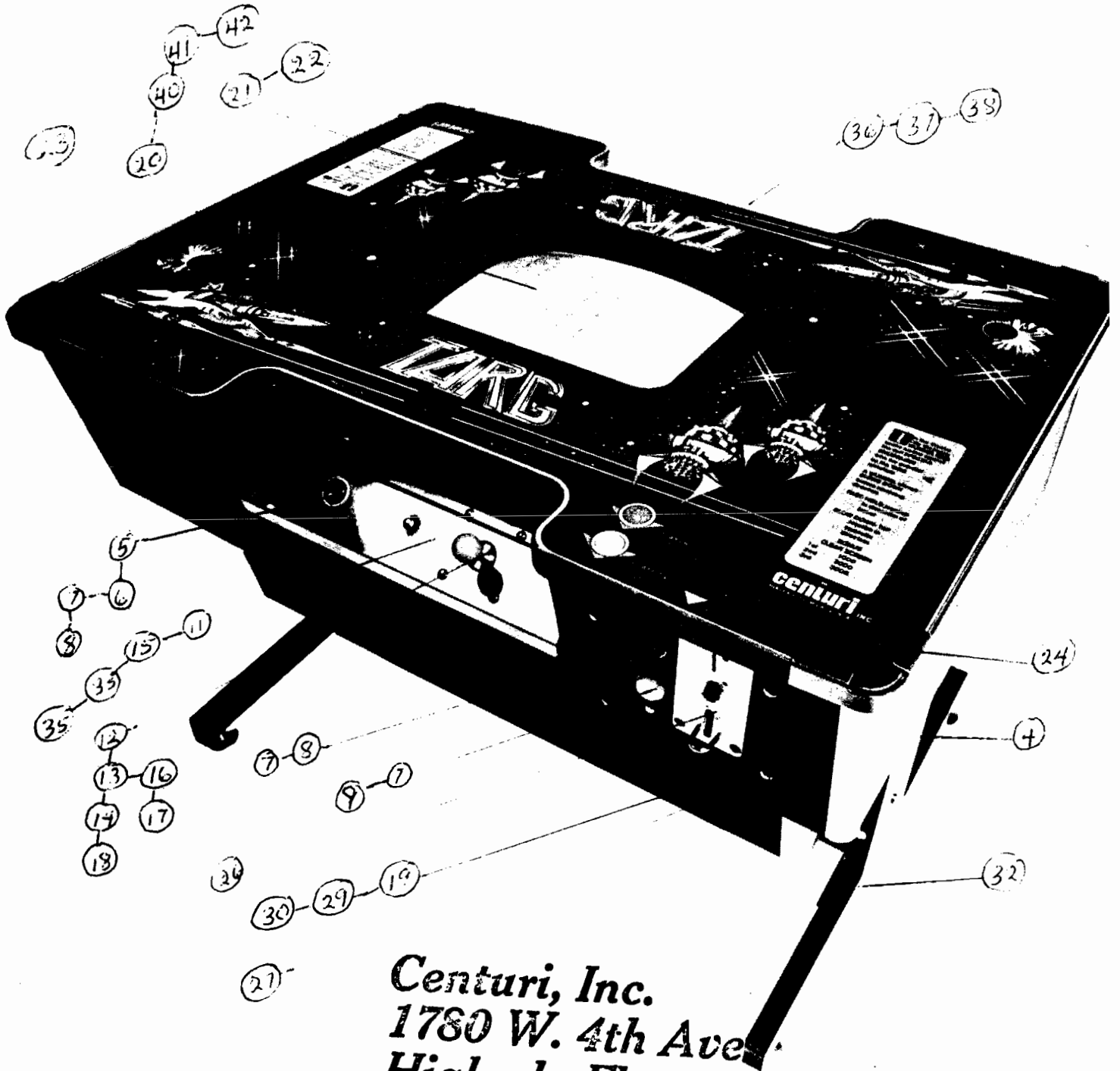
- 1. 50010014LS I.C. 74LS42 _____
- 2. 50010171 I.C. TMS 2716(E Prom) _____
- 3. 50150061 24-pin I.C. socket, soldertail _____
- 4. 50150065 24-pin I.C. socket, Wirewrap _____
- 5. 50150107 16-pin I.C. socket, Wirewrap _____
- 6. 50210212 P.C. Board _____

Small R.O.M. Board (2-7/8"x 3-5/8") fits logic bd. #5-330006 Centuri, Inc.

- 1. 50010007LS I.C. 74LS10 _____
- 2. 50010171 I.C. TMS 2716 (E PROM) _____
- 3. 50150061 24-pin I.C. socket, soldertail _____
- 4. 50150065 24-pin socket wirewrap _____
- 5. 50210213 P.C. board _____
- 6. 50170039 Orange insulated wire- 22 gauge, 20 inch _____
- 7. 50170040 Yellow " " " " " " _____
- 8. 50170041 Green " " " " " " _____

INTRODUCTION

TARG(TM) is a one or two player full color video cocktail game. Two controls for each player (the joystick and the fire button), allow the player to steer his Wummel around the geometric grid, to both avoid collisions with enemy ships and to fire at these ships for points. The video display and audio system work together to make TARG (TM) an excitingly colorful game with a variety of sounds.



Centuri, Inc.
1780 W. 4th Ave.
Hialeah, Fla. 33010



Parts List for Centuri, Inc. Targ Cocktail Game

1.	352-01-0500	Extension leg assy.	_____	_____
2.	353-07-0100	Switch blade assy.	_____	_____
3.	358-01-0900	Firing switch assy.	_____	_____
4.	353-07-0100	Switch blade assy.	_____	_____
5.	264-5-36R	Red push button	_____	_____
6.	264-6-36W	White push button	_____	_____
7.	358-01-0601	Control deck assy.	_____	_____
8.	50130051	Complete joystick	_____	_____
9.	358-01-0700	Control deck plate	_____	_____
10.	50130037	Micro switches for joystick	_____	_____
11.	352-01-1200	Cash box weldment assy.	_____	_____
12.	358-01-0400	Color adaptor board	_____	_____
13.	358-06-0100	Top glass silk screened	_____	_____
14.	358-05-0200	CRT Bezel 13"	_____	_____
15.	352-03-2400	Top cover corner molding	_____	_____
16.	352-03-2600	Top cover hold down bracket	_____	_____
17.	352-01-0500	Coin mech. w/ vacuum form	_____	_____
18.	352-05-0100	Vacuum form (black plastic)	_____	_____
19.	353-01-2100	Fan assy.	_____	_____
20.	352-01-1100	Cash box assy. w/lock	_____	_____
21.	235-8-45	Forte locks w/ keys	_____	_____
22.	358-01-2100	Leg extension	_____	_____
23.	50250017	14" Sanyo monitor assy.	_____	_____
24.	50250016	13" Electrohome monitor assy,	_____	_____
25.	50270130	14" Sanyo rube CRT#370ECB22	_____	_____
26.	358-12-0300	Audio ribbon harness 14 pin	_____	_____
27.	358-12-1200	Video harness 10 pin	_____	_____
28.	358-12-0700	Main harness 44 pin	_____	_____
29.	358-14-3500	Logic bd. assy.	_____	_____
30.	367-01-0800	Vacuum form COIN ACCEPTOR FRAME)	_____	_____
		Steel	_____	_____
31.	352-08-0500	Coin mech only	_____	_____

Please order by parts numbers if possible. All orders 25.00 minimum
Prices available on request. NO REPAIRS OR CREDITS will be issued
without an RGA# (Return Goods Authorization number to obtain one
please call The Parts Dept. @ 305-558-5200.
For Repairs or Credits under warranty serial numbers of items being
returned must be given at time of RGA, also GAME serial numbers
without these repair charges will be applied.

358-13-0500 Targ Audio Assy. cocktail table Centuri, Inc.

1.	50010192LS	74LS139 I.C.	_____
2.	50010252LS	74LS374 I.C.	_____
3.	50010246LS	74LS112 I.C.	_____
4.	50010035LS	74LS161 I.C.	_____
5.	50010251	72748 (TI)	_____
6.	50010254	LM324 14 pin I.C.	_____
7.	50010255	NE566 8 pin I.C.	_____
8.	50010043	NE 556 14 pin I.C.	_____
9.	50010256	MC3340 8 pin I.C.	_____
10.	50010257	LM379 14 pin (dual 6W audio amp)	_____
11.	50010243	7407 I.C.	_____
12.	50010005LS	74LS04 I.C.	_____
13.	50020024	2N3904	_____
14.	50100046	1N4454	_____
15.	50030001	2.2K resistor 1/4W. 5%	_____
16.	50030112	3.3K resistor 1/4W. 5%	_____
17.	50080025	100K potentiometer	_____
18.	50080024	10K potentiometer	_____
19.	50030151	22K resistor 1/4W. 5%	_____
20.	50030051	1K resistor 1/4W. 5%	_____
21.	50030132	820K resistor 1/4W. 5%	_____
22.	50030092	1 meg. ohm resistor 1/4W. 5%	_____
23.	50030150	47K resistor 1/4W. 5%	_____
24.	50030063	10K resistor 1/4W. 5%	_____
25.	50030038	100 ohm, 1/4W. 5% resistor	_____
26.	50030147	6.8K resistor 1/4W. 5%	_____
27.	50030096	120K resistor 1/4W. 5%	_____
28.	50030220	68K resistor 1/4W. 5%	_____
29.	50030004	1.2K resistor 1/4W. 5%	_____
30.	50030006	4.7K resistor 1/4W. 5%	_____
31.	50030007	100K resistor 1/4W. 5%	_____
32.	50030155	150K resistor 1/4W. 5%	_____
33.	50030230	560K resistor 1/4W. 5%	_____
34.	50030086	33K resistor 1/4W. 5%	_____
35.	50040143	.22 mfd ceramic disc cap.	_____
36.	50040002	.1 mfd " " "	_____
37.	50060145	6.8 mfd Dipped tantalum cap. 25V	_____
38.	50060147	2.2 mfd " " " 15V	_____
39.	50040047	22 PF ceramic disc cap.	_____
40.	50040141	.001 mfd " " "	_____
41.	50040144	.01PF " " "	_____
42.	50060146	33 mfd dipped tantalum cap. 25V	_____
43.	50060148	.47 mfd " " " 25V	_____
44.	50150213	10 pin female connector(Molex 26-11-6105)	_____
45.	50090009	Thermalloy 6072 heat sink	_____
46.	50150210	16 pin Dip package Shunt(AMP435704-8)	_____
47.	50210203	Hustler (Bare) Audio PCB	_____
48.	50040082	.047 mfd ceramic disc cap	_____
49.	50140004	6331 Prom (MMI) (32x8)	_____
50.	50150111	16 pin socket	_____

1.	50010002	I.C. 7400	_____
2.	50010004	I.C. 7402	_____
3.	50010005	I.C. 7404	_____
4.	50010243	I.C. 7407	_____
5.	50010096	I.C. 7408	_____
6.	50010161LS	I.C. 74LS11	_____
7.	50010245LS	I.C. 74LS21	_____
8.	50010010	I.C. 7427	_____
9.	50010105	I.C. 7432	_____
10.	50010019	I.C. 7474	_____
11.	50010246LS	I.C. 74LS112	_____
12.	50010248LS	I.C. 74LS138	_____
13.	50010192LS	I.C. 74LS139	_____
14.	50010045	I.C. 74157	_____
15.	50010035	I.C. 74161	_____
16.	50010029	I.C. 74166	_____
17.	50010069	I.C. 74193	_____
18.	50010247LS	I.C. 74LS241	_____
19.	50010249LS	I.C. 74LS245	_____
20.	50010252LS	I.C. 74LS374	_____
21.	50010172	6502 Microprocessor	_____
22.	50010242	2114 (1Kx4) RAM	_____
23.	50140003	2708 EProm (1Kx8)	_____
24.	50140004	6331 Prom (32x8)	_____
25.	50140005	6301 Prom (256x4)	_____
26.	50100028	1N4002 Diode	_____
27.	50030010	470 ohm $\frac{1}{4}$ W., 5% resistor	_____
28.	50030004	1.2K ohm, $\frac{1}{4}$ W., 5% "	_____
29.	50030185	1.8K ohm, $\frac{1}{4}$ W., 5% "	_____
30.	50030225	2.2K ohm, $\frac{1}{4}$ W., 5% "	_____
31.	50030097	2.7K ohm, $\frac{1}{4}$ W., 5% "	_____
32.	50360004	220 ohm, $\frac{1}{4}$ W. 5% 10 pin SIP resistor	_____
33.	50360001	2.2K ohm, $\frac{1}{4}$ W. 5% " " " "	_____
34.	50360002	4.7K ohm, $\frac{1}{4}$ W. 5% " " " "	_____
35.	50360003	6.8K ohm, $\frac{1}{4}$ W. 5% " " " "	_____
36.	50040005	.01 mfd @ 25V ceramic disc cap.	_____
37.	50040002	.1 mfd, @ 25V " " "	_____
38.	50060145	6.8 mfd @ 25V dipped Tantalum cap.	_____
39.	50060146	33 mfd @ 25V " " "	_____
40.	50060006	470 mfd @10V Electrolytic cap.	_____
41.	50230038	16 pin Dip Shunt Jumper Paks	_____
42.	50130034	8-position Dipswitch, 26 pin D.I.P.	_____
43.	50070012	11.289 MHZ Crystal	_____
44.	50150211	10 pin male Molex(09-64-1101)conn.	_____
45.	50150111	16 pin low profile dip sockets	_____
46.	50210201	Printed circuit board	_____
47.	50150061	24 pin Low Profile DIP sockets	_____
48.	50150060	40 pin " " " "	_____
49.	50150110	14 pin " " " "	_____
50.	50140006	2716 EProm (2Kx8)	_____
51.	50150112	18 pin low profile dip socket	_____
52.	50010008LS	74LS20	_____
53.	50060157	1 mfd @ 25V Dipped Tantalum Cap.	_____
54.	50030125	220 ohm, $\frac{1}{4}$ W., 5% resistor	_____

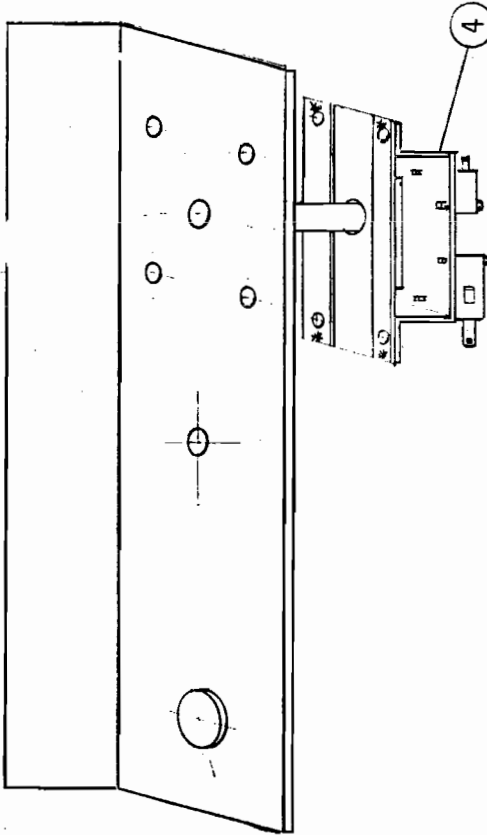
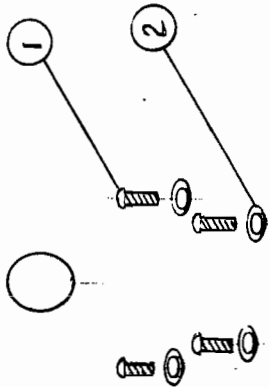
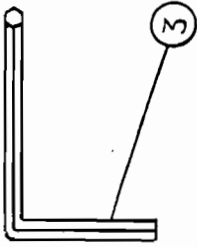
Targ Color Adaptor Board assy. # 358-13-0400 Centuri, Inc.

- | | | | |
|-----|------------|--|-------|
| 1. | 50010093 | I.C. 74151 | _____ |
| 2. | 50010019LS | I.C. 74LS74 | _____ |
| 3. | 50010192LS | I.C. 74LS139 | _____ |
| 4. | 50010076 | I.C. 74148 | _____ |
| 5. | 50010022LS | I.C. 74LS86 | _____ |
| 6. | 50010030LS | I.C. 74LS174 | _____ |
| 7. | 50060145 | 6.8 mfd, Dipped Tantalum Cap. | _____ |
| 8. | 50030095 | 330 ohm, 1/2W. 5% resistor | _____ |
| 9. | 50360005 | 10 pin SIP resistor Pak 1K ohm
(CTS#750-101-R1K) only 9 pins used | _____ |
| 10. | 50040005 | .01 mfd Ceramic disc cap. | _____ |
| 11. | 50150212 | 10 pin male Conn. Molex #09-65-1101 | _____ |
| 12. | 50150215 | 14 pin standard profile socket W/lock
(CA-14S-10SD) | _____ |
| 13. | 50210204 | Printed Circuit Board | _____ |

Targ Player Select Board # 358-13-0200

- | | | | |
|----|----------|------------------------------|-------|
| 1. | 50040008 | .1 mfd 12V ceramic disc cap. | _____ |
| 2. | 50010045 | I.C. 74157N | _____ |
| 3. | 50030011 | 220 ohm, 1/2W. 5% resistor | _____ |
| 4. | 50150193 | 15 pin male connector | _____ |
| 5. | 50210200 | Printed Circuit Board | _____ |
| 6. | 50150225 | 15 pin female connector | _____ |
| 7. | 50150235 | Male Pins | _____ |
| 8. | 50150236 | Female pins | _____ |
| 9. | 50150194 | 6 pin female connector | _____ |

THE MATERIAL CONTAINED HEREIN IS CONFIDENTIAL AND NO PART OF IT CAN BE REPRODUCED WITHOUT THE EXPRESSED PERMISSION OF CENTURI, INC.



ITEM	QTY	PART NO	DESCRIPTION
4	1	MADE OR 501300	51 4 POSITION JOYSTICK - MODIF.
3	1	333-08-1300	ALLEN WRENCH, SHORT ARM 3/8" ACROSS FL
2	4	10190046	#8 FINISHING CUP WASHER
1	4	10080032	8-32x5/8 BH/HS/MS.

BILL OF MATERIAL

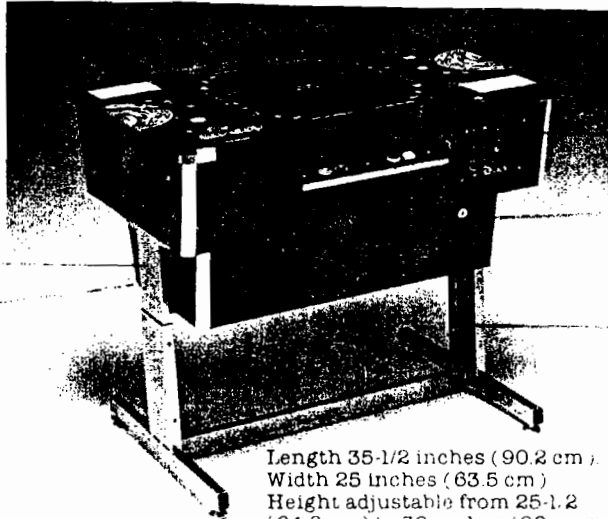
OC. AP'VD	PROD. AP'VD	QTY.	ASSEMBLY NO

centuri
 NAME: HIALEAH, FLORIDA 33014
 JOYSTICK REPLACEMENT INSTRUCTIONS
 FINISH:
 HEAT TREAT:
 DATE: 4-21-81
 DWN: AAN
 APPO: AAN
 SCALE: 3/8" = 1" (checked)
 PART NO: 356-10-1000
 REV.:

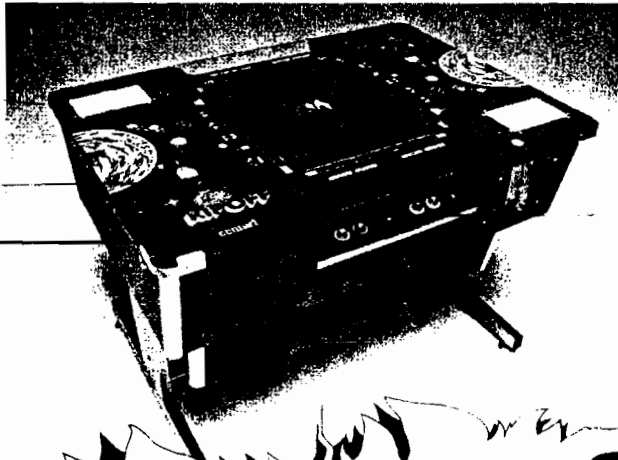
TOLERANCES		Unless Otherwise Specified	
FRACTIONS	±	1/32	
DECIMALS 2 PL	±	.015	
DECIMALS 3 PL	±	.003	
HOLES	±	.001	
ANGLES	±	1/2'	
SHT. MET BENDS	±	2'	

REV. LET.	ECN NO.	REVISION	BY

Centuri, Inc.
1780 W. 4th Ave.
Hialeah, Fla. 33010



Length 36-1/2 inches (90.2 cm)
 Width 25 inches (63.5 cm)
 Height adjustable from 25-1/2
 (64.8 cm) to 39 inches (99 cm)



RIP OFF
 New Table Model
centuri™



Parts List for Rip Off Cocktail table by Centuri, Inc.

1.	352-01-1200	Cash box weld. assy.	_____	_____
2.	235-8-45	Forte Locke w/ 2 keys	_____	_____
3.	264-03-152	Lock tongue	_____	_____
4.	352-05-01000	Vacuum form (coin mech holder)	_____	_____
5.	352-08-0500	Coin mech assy.	_____	_____
6.	353-01-1800	Coin mech & vacuum form assy.	_____	_____
7.	352-01-0800	Leg base weld assy.	_____	_____
8.	352-01-1000	Upper leg weld. assy.	_____	_____
9.	352-01-1500	Switch plate assy.	_____	_____
10.	353-07-0100	Push button assy.	_____	_____
11.	264-05-35	Button cover housing	_____	_____
12.	264-05-36	Red plastic button	_____	_____
13.	352-01-0400	Top cover wood assy.	_____	_____
14.	353-12-0400	Player control	_____	_____
15.	353-12-0100	Logic to display ribbon harness	_____	_____
16.	353-06-0500	Top viewing glass	_____	_____
17.	353-10-1402	Logic board assy.	_____	_____
18.	50280056	VT901 high voltage tripler	_____	_____
19.	50170026	16 pin conductor flat ribbon	_____	_____
20.	50150191	16 pin female socket	_____	_____
21.	50270078	Power supply	_____	_____
22.	353-13-0100	Audio P.C.B. assy.	_____	_____
23.	50250014	19" CRT Picture tube	_____	_____
24.	353-10-0500	Yoke assy. w/harness	_____	_____
25.	353-05-0500	Bezel	_____	_____
26.	367-01-0800	Coin acceptor frame Steel	_____	_____
		Vacuum form		

Please order by parts number if possible. Prices available on request \$25.00 minimum order. NO REPAIRS OR CREDITS will be issued without an RGA# (RETURN GOODS AUTHORIZATION) number to obtain one please call the Parts Dept. @305-558-5200.

For repairs under warranty serial numbers of boards, monitors, power supplies, must be given at time of RGA. Repair charges will be made without this information.

1.	50040066	470PF @50V disc cap.	_____
2.	50040130	.005MFD @50V " "	_____
3.	50040116	.01 mfd, @50V " "	_____
4.	50040001	.1 mfd, @50V " "	_____
5.	50060092	4.7 mfd @ 35V " " Elect. or Tant.	_____
6.	50060131	25 mfd, @50V Electro. Cap.	_____
7.	50060031	100 mfd, @25V " "	_____
8.	50040134	.01 mfd, @35V Film cap.	_____
9.	50040135	.022 mfd, @35V " "	_____
10.	50040136	.047 mfd, @35V " "	_____
11.	50040007	.1 Mfd, @35V " "	_____
12.	50040022	.22 mfd, @25V " "	_____
13.	50040123	.68 mfd, @35V Cap.	_____
14.	50030152	150 ohm, 1/4W., 5% resistor	_____
15.	50030207	160 ohm, 1/4W., 5% "	_____
16.	50030228	300 ohm, 1/4W., 5% "	_____
17.	50030095	330 ohm, 1/4W., 5% "	_____
18.	50030010	470 ohm, 1/4W., 5% "	_____
19.	50030181	1K ohm, 1/4W., 5% "	_____
20.	50030087	1.5K ohm, 1/4W., 5% "	_____
21.	50030195	2K ohm, 1/4W., 5% "	_____
22.	50030097	2.7K ohm, 1/4W., 5% "	_____
23.	50030112	3.3K ohm, 1/4W., 5% "	_____
24.	50030005	3.9K ohm, 1/4W., 5% "	_____
25.	50030006	4.7K ohm, 1/4W., 5% "	_____
26.	50030165	8.2K ohm, 1/4W., 5% "	_____
27.	50030063	10K ohm, 1/4W., 5% "	_____
28.	50030084	12K ohm, 1/4W., 5% "	_____
29.	50030146	15K ohm, 1/4W., 5% "	_____
30.	50030215	20K ohm, 1/4W., 5% "	_____
31.	50030151	22K ohm, 1/4W., 5% "	_____
32.	50030182	24K ohm, 1/4W., 5% "	_____
33.	50030093	27K ohm, 1/4W., 5% "	_____
34.	50030229	30K ohm, 1/4W., 5% "	_____
35.	50030148	39K ohm, 1/4W., 5% "	_____
36.	50030180	43K ohm, 1/4W., 5% "	_____
37.	50030150	47L ohm, 1/4W., 5% "	_____
38.	50030091	56K ohm, 1/4W., 5% "	_____
39.	50030220	68K ohm, 1/4W., 5% "	_____
40.	50030103	82K ohm, 1/4W., 5% "	_____
41.	50030003	330K ohm, 1/4W., 5% "	_____
42.	50030104	470K ohm, 1/4W., 5% "	_____
43.	50030132	820K ohm, 1/4W., 5% "	_____
44.	50030092	1M ohm, 1/4W., 5% "	_____
45.	50030159	1.5M ohm, 1/4W., 5% "	_____
46.	50010006	I.C. Inverter	_____
47.	50010170	I.C. Trigger	_____
48.	50310023	I.C. Shaft Register	_____
49.	50310028	I.C. Octal Latch	_____
50.	50310029	I.C. Counter	_____
51.	50010207	I.C. Regulator +15V	_____

Audio P.C.B assy. #353-13-0100 Rip Off Centuri, Inc.

52.	50010203	I.C. regulator -15V	_____
53.	50010213	I.C. transconduct OP AMP	_____
54.	50010001	I.C. Timer	_____
55.	50010212	I.C. Noise Generator	_____
56.	50010210	I.C. OP AMP	_____
57.	50100014	Diode	_____
58.	50100043	Diode Zerner	_____
59.	50020024	Transistor	_____
60.	50020046	Transistor	_____
61.	50020067	Transistor	_____
62.	50020068	Transistor	_____
63.	50090008	Heat Sink, Thermalloy	_____
64.	50090009	Heat Sink, Thermalloy	_____
65.	50150180	Header P.C.B. 16 pin	_____
66.	50150183	Molex Wafercon-9 Cir.	_____
67.	50210190	Printed Circuit Board	_____

C.P.U. PCB Assy. # 353-10-1402 Rip Off Centuri, Inc.

1.	50330001	CPU PCB, assy.	_____
2.	50010171	TMS 2716 (UO)	_____
3.	50010171	TMS 2716 (UE)	_____
4.	50010171	TMS 2716 (LO)	_____
5.	50010171	TMS 2716 (LE)	_____
6.	50150061	I.C. Sockets	_____
7.	50100014	Diode 1N914	_____

Challenger Game by Centuri, Inc:

1. 374-12-1000 Video bd. flat cable harness
2. 374-13-0400C (A10) Micro computer bd.
3. 374-13-0200 (A20) Video interface bd.
4. 374-13-0300 (A25) Audio computer bd.
5. 374-12-0800 Coin door harness
6. 374-01-0500 P.C.B. mounting assy.
7. 240-3-46 Leg levellers
8. 50280061 Isolation transformer
9. 374-01-0300 Control panel & overlay assy.
10. 50130047 Switch & bracket
11. 50130048 White button
12. 50130049 Red button
13. 375-03-0400 Deck & glass angle bracket
14. 374-12-0300 Electrohome & Wells Gardner sig. harness
15. 361-14-0300A Fluorescent lamp wired assy.
16. 374-06-0400 Control panel overlay
17. 50270137 Wells Gardner schematics
18. 363-17-0300 Shendengen Power Supply schem.
19. 374-01-1200 Complete game w/ package
20. 276-01-44 Cash box
21. 360-03-1200 Cash box lid
22. 50270116 50¢ coin plexi
23. 375-01-0900 Wood cabinet bare
24. 50200011 Speaker 5" round 8 ohms 8W.
25. 374-10-0400 Coinco coin door modified
26. 50250021 Wells Gardner monitor
27. 375-10-0300 Monitor bezel black
28. 374-06-0100 Marquee silk screened
29. 343-03-0200 Top angle hold down brkt.
30. 364-04-1000 Viewing glass
31. 374-06-0500 Silk screened monitor overlay
32. 374-14-0100 Control deck wired assy.
33. 374-06-0200 Left side decal
34. 374-06-0300 Right side decal
35. 374-01-0400 Manual & schematics assy.
36. 374-12-0400 P.C.B. speaker output harness
37. 374-12-0100 Audio bd. flat cable harness
38. 374-12-0900 Peripheal bd. flat cable harness
39. 50270183 Electrohome monitor manual & schematics

ROUND UP UPRIGHT GAME BY CENTURI, I

1. 377-01-0200 Complete game less package
2. 375-01-0900A Wood cabinet bare
3. 361-14-0300A Flourescent lamp & sw. wired assy.
4. 360-14-0700 Coinco coin door (*complete*)
5. 375-10-0300 Bezel for monitor
6. 377-06-0100 Marquee
7. 361-04-1000 Viewing glass
8. 377-06-0500 Monitor overlay silk screened
9. 377-14-0100 Control panel wired assy.
10. 377-08-0100 Printed Circuit Boards
11. 377-06-0200 Left side decal
12. 377-06-0300 Right side decal
13. 377-01-0800 Control panel & overlay
14. 50130047 Switch & Bracket
15. 50130048 White button
16. 50130049 Red button
17. 50130057 Joystick 4 position Wico
18. 377-06-0400 Control panel overlay only
19. 377-01-0400 Manual & Schematics
20. 50350001 Power Supply
21. 50250021 19" Color mon. assy. Wells Gardner
22. 50250018 19" color mon. assy. Electrohome
23. 375-01-1700 Cash box *276-01.44*
24. 360-03-1200A Cash box lid
25. 361-14-0200A Transformer isolation wired assy.
26. 50280061 Transformer only
27. 370-12-0200A Cabinet harness
28. 377-12-0100 C.P.U. Harness
29. 364-12-0500C Electrohome monitor signal harness
30. (377-12-0500) → Wells Gardner monitor signal harness
364-12-0300

Round Up Cocktail table by Centuri, Inc.

1.	378-01-0200	Complete game less package	_____	_____
2.	377-08-0100	Printed Circuit Boards		
3.	352-01-1100	Cash box weld. assy.		
4.	235-8-44	Fort Locke w/ keys		
5.	378-06-0100	Top glass silk screened		
6.	358-05-0200	CRT Bezel 13"		
7.	378-06-0200	Instruction label		
8.	50350001	Power Supply		
9.	50250016	Electrohome mon. assy. 13" color		
10.	367-01-0800	Coin Acceptor (STEEL VACUUM FORM)		
11.	363-08-0500	Coin acceptor 25¢ American		
12.	50130047	Switch & Bracket		
13.	50130048	White button		
14.	50130049	Red button		
15.	367-03-0500	Coin acceptor frame		
16.	50270188	Coin Counter		
17.	50130057	Wico 4 position joystick assy.		
18.	378-03-0100	Control panel metal		
19.	378-01-0600	Manual & Schematics	_____	_____
20.	352-01-0500	Extension leg assy.		
21.	378-06-0300	25¢ label	_____	_____
22.	361014-0200	Transformer wired assy.	_____	_____
23.	364-12-0500D	Monitor signal harness	_____	_____