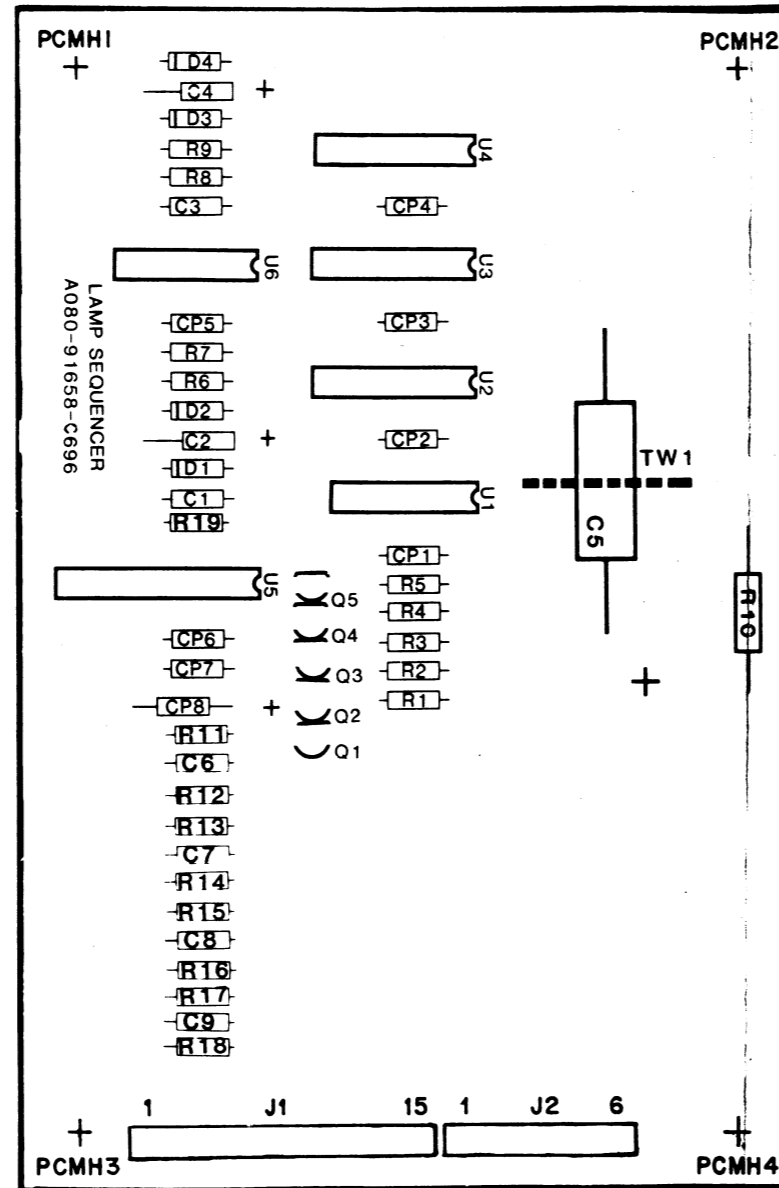


DESIGNATION LIST

DESIGNATION NO.	DESCRIPTION
C1	.01 MF 50V AX CER
C2	10 MF 25V AX TANT
C3	.01 MF 50V AX CER
C4	10 MF 25V AX TANT
C5	4700 MF 25V AX ELEC
C6-C9	100 PF 50V AX CER
CP1-CP7	.01 MF 50V AX CER
CP8	10 MF 16V AX ELEC
R1-R5	160 OHM 1/4W 5%
R6,R7	10K OHM 1/4W 5%
R8,R9	5.1K OHM 1/4W 5%
R10	2.2 OHM 1W 5%
R11	10K OHM 1/4W 5%
R12	100K OHM 1/4W 5%
R13	10K OHM 1/4W 5%
R14	100K OHM 1/4W 5%
R15	10K OHM 1/4W 5%
R16	100K OHM 1/4W 5%
R17	10K OHM 1/4W 5%
R18	100K OHM 1/4W 5%
R19	10K OHM 1/4W 5%
D1-D4	1N4148 DIODE
Q1-Q5	MPS 2222A TRANS
U1	7406
U2	BI-POLAR PROM
U3	74160
U4	74LS157
U5	74HC374
U6	556
ICS U2	IC SOCKET
J1	.025 SQ AUTO WIRE
J2	.045 SQ AUTO WIRE
PCMH1-PCMH4	SPACER #8
PC BOARD	A080-91658-C696

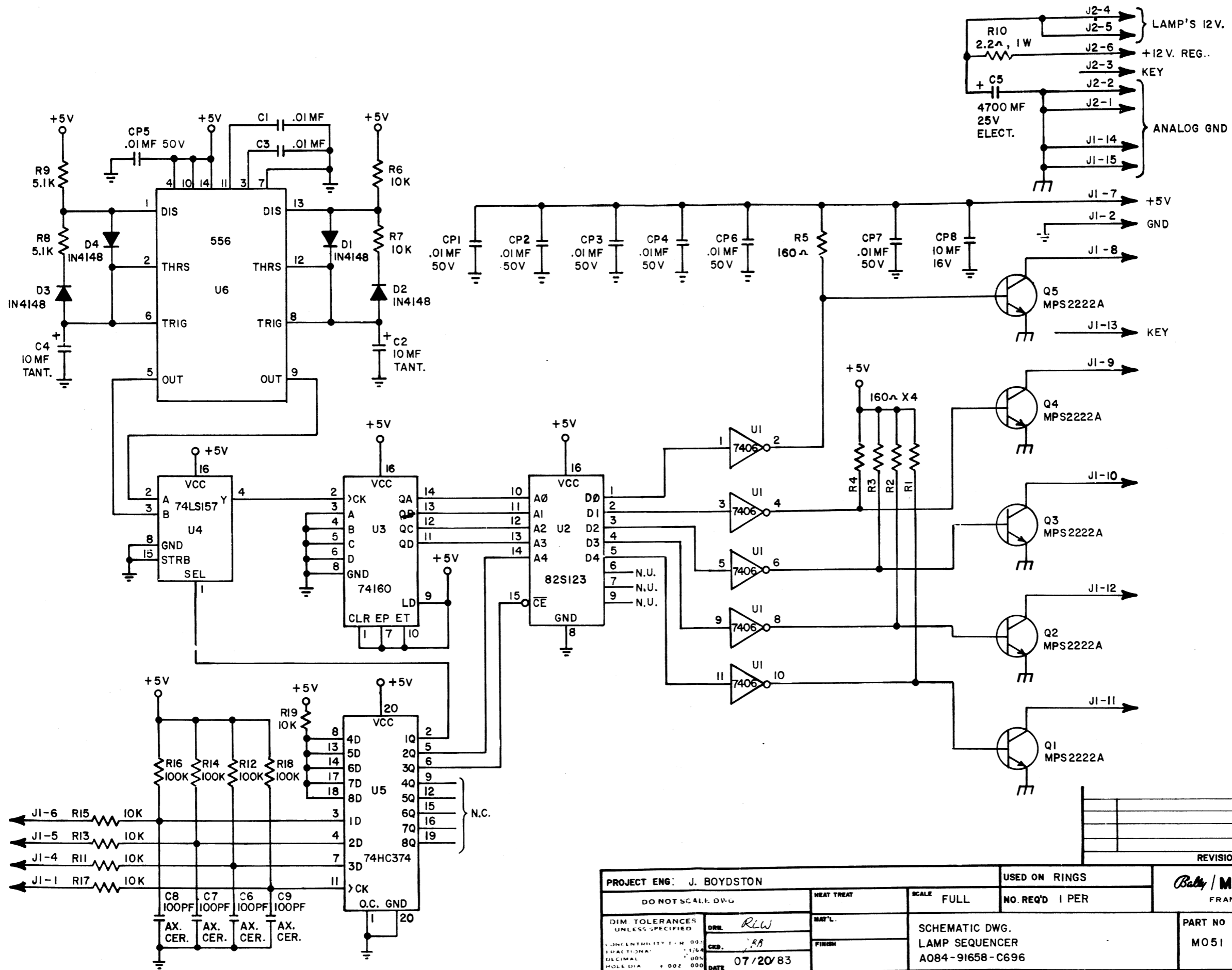


CROSS REFERENCE LIST

DESCRIPTION	QTY	DESIGNATION NO.	PART NOS.
100 PF 50V AX CER	4	C6-C9	0639-00800-0003
.01 MF 50V AX CER	9	C1,C3,CP1-CP7	0628-00800-0100
10 MF 16V AX ELEC	1	CP8	0628-00800-0300
10 MF 25V AX TANT	2	C2,C4	0696-00800-0001
4700 MF 25V AX ELEC	1	C5	0383-00800-0006
2.2 OHM 1W 5%	1	R10	0062-034F3-1XXX
160 OHM 1/4W 5%	5	R1-R5	0062-124B3-1XXX
5.1 OHM 1/4W 5%	2	R8,R9	0062-213B3-1XXX
10K OHM 1/4W 5%	7	R6,R7,R11,R13, R15,R17,R19	0062-227B3-1XXX
100K OHM 1/4W 5%	4	R12,R14,R16,R18	0062-275B3-1XXX
1N4148 DIODE	4	D1-D4	0696-00801-0001
MPS 2222A TRANS	5	Q1-Q5	0639-00802-0001
556	1	U6	0696-00803-0003
7406	1	U1	0696-00803-0005
74LS157	1	U4	0696-00803-0004
74160	1	U3	0696-00803-0006
74HC374	1	U5	0696-00803-0001
BI-POLAR PROM	1	U2	0696-00803-0002
IC SOCKET 16 PIN	1	ICS U2	0986-00804-3700
.025 SQ AUTO WIRE	14	J1	0017-00033-0479
.045 SQ AUTO WIRE	5	J2	0017-00033-0480
SPACER #8	4	PCMH1-PCMH4	0017-00042-0320
PC BOARD	1		A080-91658-C696

REVISIONS	

PROJECT ENG: J. BOYDSTON			USED ON RINGS		Bally / MIDWAY MFG. CO. FRANKLIN PK. ILL.
DO NOT SCALE DWG.			HEAT TREAT	SCALE FULL	
DIM. TOLERANCES, UNLESS SPECIFIED			NO. REQ'D I PER		PART NO. M051 - 00696 - C009
CONCENTRICITY ± .005			LAMP SEQUENCER ASSEMBLY DWG		
FRACTIONAL ± .1/64			A080-91658-C696		
DECIMAL ± .005			DATE 8/03/83		
HOLE DIA + .002 000			FINISH		



PROJECT ENG: J. BOYDSTON		USED ON RINGS		Bally / MIDWAY MFG. CO. FRANKLIN PK. ILL.
DO NOT SCALE DWG		HEAT TREAT	SCALE FULL	
DIM. TOLERANCES UNLESS SPECIFIED	DRW. RLW	MAT'L.	SCHEMATIC DWG.	
CONCENTRICITY ± 0.01	CRD. RB	FINISH	LAMP SEQUENCER	
FRACTIONAL ± 1/64	DATE 07/20/83		A084-91658-C696	
DECIMAL ± 0.05			PART NO	
POLE DIA ± 0.02 0.00			M051 - 00696 - C010	

REVISIONS	