

SEP 28 1981

SEGA®/Gremlin®

SERVICE NOTE

EFFECT: FROGGER UPRIGHT-All Assemblies

NUMBER:001

September 17, 1981

1 of 4

Listed below are the recommended spare parts for FROGGER. Stock the quantity indicated to support 5 games.

<u>PART NO.</u>	<u>DESCRIPTION</u>	<u>QUANTITY</u>	<u>WHERE USED</u>
800-0146	Game Power Supply Assembly	1	800-3183
510-0059	4-Way Long Shaft Joystick	1	800-3181
313-0037	IC TL081	1	800-0128
313-0015	IC LM320T-12	1	800-0128
473-00R1	Resistor, 0.1 ohm, 5W 3%	2	800-0128
473-00R2	Resistor, 0.2 ohm, 3W 5%	5	800-0128
475-0004	1K Car PCMTV Pot	2	800-0128
481-0004	Diode MR501	10	800-0128
481-0006	Diode 1N914/1N4148	5	800-0128
482-0006	Transistor 2N4403	3	800-0128
482-0014	Transistor 2N4401	2	800-0128
482-0019	Transistor TIP120	2	800-0128
482-0100	Transistor TIP125	2	800-0128
514-0002	3A Norm Fuse	10	800-0128
514-0006	1.5A Norm Fuse	10	800-0128
514-0055	5A Norm Fuse	10	800-0128
151-0060	Ceramic Capacitor, .1mf, 16V AX	10	834-0069
213-0001	24-Pin Dual Inline Socket	5	834-0069



SERVICE NOTE

EFFECT: FROGGER UPRIGHT-All Assemblies

NUMBER: 001

2 of 4

<u>PART NO.</u>	<u>DESCRIPTION</u>	<u>QUANTITY</u>	<u>WHERE USED</u>
213-0005	40-Pin Dual Inline Socket	2	834-0069
230-0035	14.318 MHZ Crystal	1	834-0069
313-0004	IC LM741	1	834-0069
314-0012	IC 7408	3	834-0069
314-0015	IC 7404	2	834-0069
314-0018	IC 74LS00	2	834-0069
314-0062	IC 74LS74	5	834-0069
314-0099	IC 74LS245	2	834-0069
315-0031	IC Z80	2	834-0069
315-0045	IC CD4066	2	834-0069
315-0046	IC 2114	2	834-0069
315-0057	IC AY-3-8910	2	834-0069
315-0085	IC M51516	2	834-0069
315-0089	IC 8255	2	834-0069
477-0035	Resistor Pack, 4x 1K ohm, 1/8W w/c	1	834-0069
477-0039	Resistor Pack, 8 x 1K ohm, 1/8W w/c	1	834-0069
482-0160	Transistor 2SC1815	2	834-0069
482-0230	Transistor 2SD361	2	834-0069
482-0231	Transistor 2SC2320	2	834-0069
151-0060	Ceramic Capacitor, .1mf, 16V	10	834-0068
213-0001	24-Pin Dual Inline Socket	5	834-0068



SERVICE NOTE

EFFECT: FROGGER UPRIGHT-All Assemblies

NUMBER:001

<u>PART NO.</u>	<u>DESCRIPTION</u>	<u>QUANTITY</u>	<u>WHERE USED</u>
213-0005	40-Pin Dual Inline Socket	1	834-0068
230-0073	18.432 MHZ Crystal	1	834-0068
314-0018	IC 74LS00	2	834-0068
314-0019	IC 74LS04	1	834-0068
314-0022	IC 74161	2	834-0068
314-0058	IC 74LS08	2	834-0068
314-0060	IC 74LS20	2	834-0068
314-0062	IC 74LS74	2	834-0068
314-0070	IC 74LS86	3	834-0068
314-0073	IC 74LS175	2	834-0068
314-0076	IC 74LS157	5	834-0068
314-0078	IC 74LS02	1	834-0068
314-0092	IC 2816	2	834-0068
314-0102	IC 74LS367	10	834-0068
314-0104	IC 74LS138	5	834-0068
314-0099	IC 74LS245	1	834-0068
315-0104	IC 2114-2	5	834-0068
315-0105	IC 2114-3	5	834-0068
315-0041	IC Z80A	1	834-0068
481-0089	Diode 10D1	1	834-0068
481-0164	Diode 1S1588	1	834-0068



SERVICE NOTE

EFFECT:

FROGGER UPRIGHT-All Assemblies

NUMBER:

001

4 of 4

<u>PART NO.</u>	<u>DESCRIPTION</u>	<u>QUANTITY</u>	<u>WHERE USED</u>
482-0229	Transistor 2SA697	1	834-0068
482-0231	Transistor 2SC2320	1	834-0068
220-0157	Anticheat Coin Mechanism	1	800-0135
560-0054	Isolation Transformer	1	800-0130
514-0054	4 Amp Fast Blow Fuse	10	800-0130
514-0053	5 Amp Slow Blow Fuse	10	800-0130
514-0001	2 Amp Slow Blow Fuse	10	800-0130
514-0001	2 Amp Slow Blow Fuse	10	800-0145

FLIPPERS.COM

NOV 10 1981

SEGA®/Gremlin®

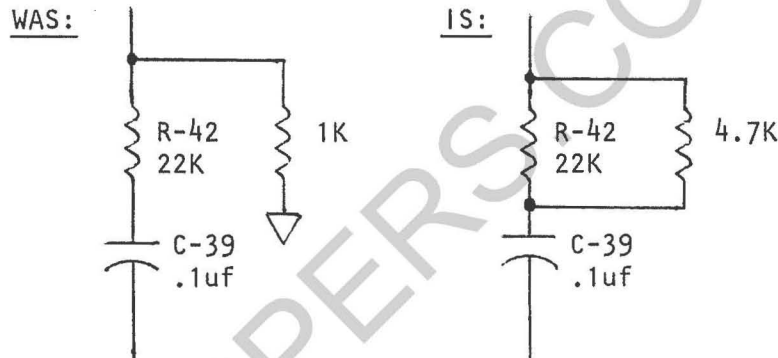
SERVICE NOTE

EFFECT: FROGGER

NUMBER: 002 (10-27-81)

In the advent that you may wish to increase the audio amplitude of your FROGGER video game, the following modification is recommended:

1. Remove the existing 100 ohm potentiometer from the volume control block and replace with a 10K ohm pot. (Gremlin P/N 475-0007)
2. Remove the 1K ohm resistor from R-42 to ground, and replace it with a 4.7K ohm resistor in parallel with R-42. (Gremlin P/N 471-0472)



3. Correct the manuals schematic No. 834-0085 to reflect the modification.

NOV 16 1981

SEGA[®]/Gremlin[®]

SERVICE NOTE

EFFECT: FROGGER COCKTAIL

NUMBER: 001

November 3, 1981

In your Frogger Cocktail Manual, 420-5016, there is an error on the Gremlin parts list insert. Item 4, the black table glass, is part number 275-0077 and not 275-0075. Please make this change on your parts list.

FLIPPERS.COM

DEC 15 1981



SERVICE NOTE

EFFECT: FROGGER

NUMBER: 003 11-17-81

An error was found on page 38 of the FROGGER Owners Manual (P/N 420-0647), the FROGGER Assembly Kit Drawing Number 800-3182. Please correct Item 21 as follows:

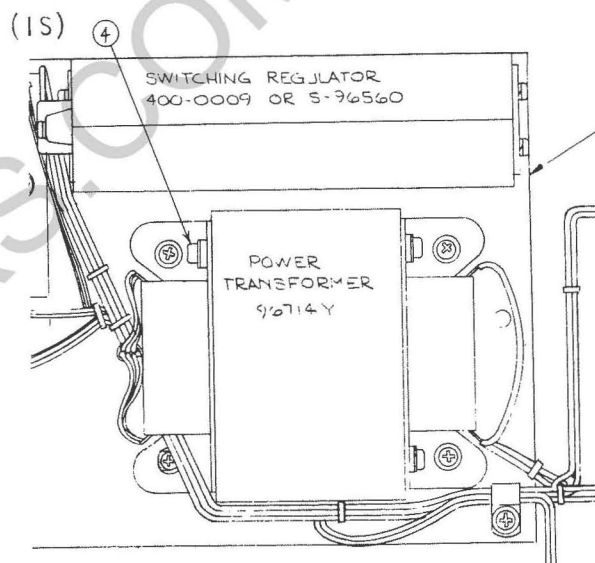
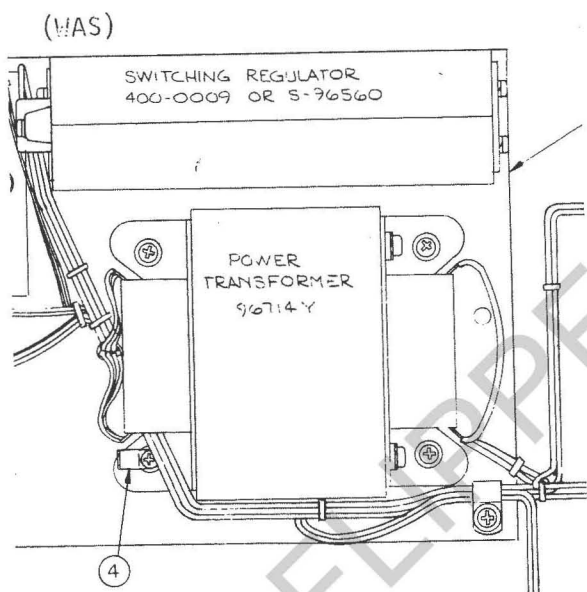
<u>ITEM NO.</u>	<u>PART NO.</u>	<u>QTY REQD.</u>	<u>DESCRIPTION</u>
21	800-3194	1	Assy Var Res and Cable

FLIPPERS.COM

EFFECT: FROGGER

NUMBER: 004 11-25-81

On the 800-0312 Power Supply, used in the FROGGER Top Assembly Numbers 700-0073 & 700-0078, the grounding strap has been moved to reduce the possibility of a short. Please make the following correction to your Owners Manual, and move the ground strap to the indicated position on the game hardware:



FEB 16 1982



SERVICE NOTE

EFFECT: ^{FROGGER}

NUMBER: ⁰⁰⁵ 1/12/82

A typographical error was found on page 62, the FROGGER Game Electronics Assembly, Drawing No. 834-0086, of the FROGGER Owners Manual (P/N 420-0647). Please correct your parts list to reflect the following:

<u>ITEM NO.</u>	<u>PART NO.</u>	<u>QTY REQD.</u>	<u>DESCRIPTION</u>
10	280-0372	4	PCB Mounting Foot

ITEM #10 Part No. is: 280-0372
was: 280-0272

FLIPPERS.COM

FEB 16 1982



SERVICE NOTE

EFFECT: FROGGER

NUMBER: 006 1/18/82

On page number 70 of the FROGGER Owner's Manual (P/N 420-0647), the unprogrammed number was used in the parts list for the Main Logic Board Assembly, Drawing Number 834-0068. Please correct your manual to reflect the following:

<u>ITEM NO.</u>	<u>PART NO.</u>	<u>QTY REQD.</u>	<u>DESCRIPTION</u>	<u>REF DES.</u>
47	316-1361	1	IC 6331 Color PROM	IC 25

FLIPPERS.COM



SERVICE NOTE

EFFECT: FROGGER™

NUMBER: 008 11/24/82

A typographical error has been identified on page 70 of the FROGGER™ Owner's Manual (P/N 420-0647). Please correct the part number of ITEM 51 as follows:

<u>ITEM NO.</u>	<u>PART NO.</u>	<u>QTY REQD.</u>	<u>DESCRIPTION</u>	<u>REF DES</u>
51	314-0216	5	IC 74S201	IC 56, 57, 58, 59, 60.

FLIPPERS.COM

SEGA Electronics Inc, 16250 Technology Drive, San Diego, CA. 92127-1985

Toll-free technical assistance inside CA. 1-800-722-8576

Toll-free technical assistance outside CA. 1-800-854-1938



SERVICE NOTE

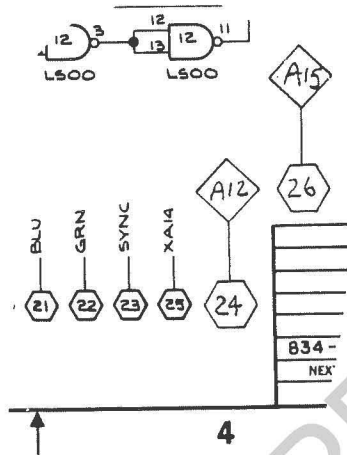
EFFECT: FROGGER™

NUMBER: 009

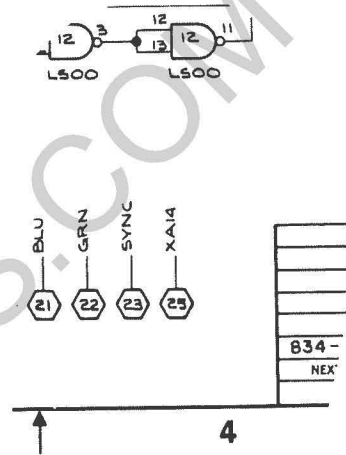
A discrepancy has been noted in the schematics on pages 94 and 95 of your FROGGER™ Owner's Manual (P/N 420-0647). Please make the corrections as indicated:

- Page 94, Sub-Logic Board, Drawing No. 700-0069, Zone A-4;

IS:

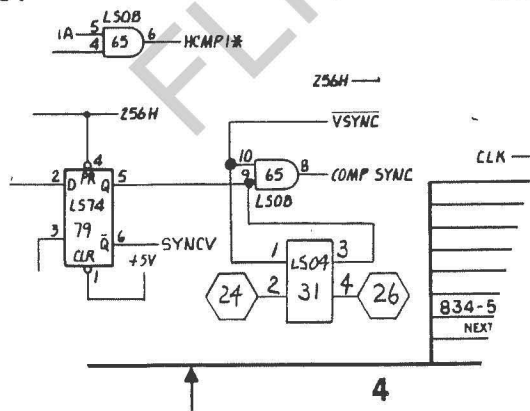


WAS:

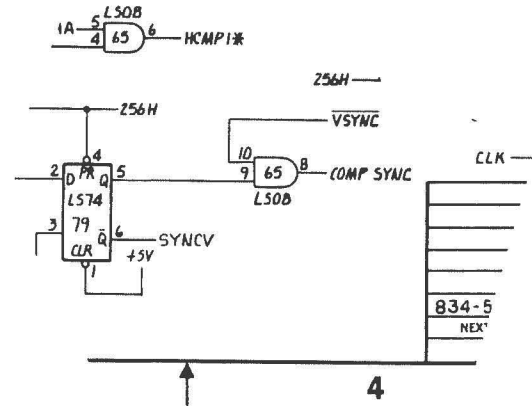


- Page 95, Main Logic Board, Drawing No. 700-0068, Zone A-4;

IS:



WAS:





16250 Technology Drive
San Diego, California 92127-1895
(619) 485-0910

SERVICE NOTE

TOLL-FREE NUMBERS

Technical Assistance (800) 854-1938
Parts Assistance (800) 854-1900
California-Only Technical (800) 722-8576
California-Only Parts (800) 722-8575

PRIORITY:

- Urgent
 Upon Game Failure
 For Information Only

DATE: 3-16-83

GAME/ASSEMBLY

AFFECTED: FROGGER™

NUMBER: 011

In the advent that you may be experiencing intermittent output problems with your FROGGER™ Sound Board (either 834-0074 or 834-0349), it has been found that IC sockets bearing the manufacturer's stamp "TI" or "RN" tend to get brittle, resulting in intermittent opens. We recommend that when found, all "TI" and "RN" sockets be replaced with AMP, Yamaichi, or equivalent sockets.

FLIPPERS.COM