

DEAR OPERATOR:

Congratulations! You have just purchased what we feel is the best quality cabinet available to the industry. A few of the features are:

- Completely wired for any Konami game (Up to 2 joysticks and 8 different buttons)
- Monitor has 3 different vertical angles and 3 different horizontal angles to choose from
- 2 Isolation Transformers:
 - # 1 used to protect the monitor
 - # 2 used to protect the power supply which in turn protects the P.C.B. from line voltage spikes
- Top Quality Monitor
- Front and back door interlock power switches for safety
- Non-resettable coin counter
- 2-layer monitor shield; clear tempered glass in front of a smoke-tinted plexi
- Furniture grade 3/4 inch medium density fiberboard cabinet
- Epoxy paint for durability and easy cleaning
- Textured T-moldings
- Over and under coin door
- Dual speaker with perforated steel plate
- External on/off switch
- Gold-plated contacts on the edge connector to eliminate oxidation
- Distinctively color-coded wires
- 13-gauge steel monitor mounting brackets

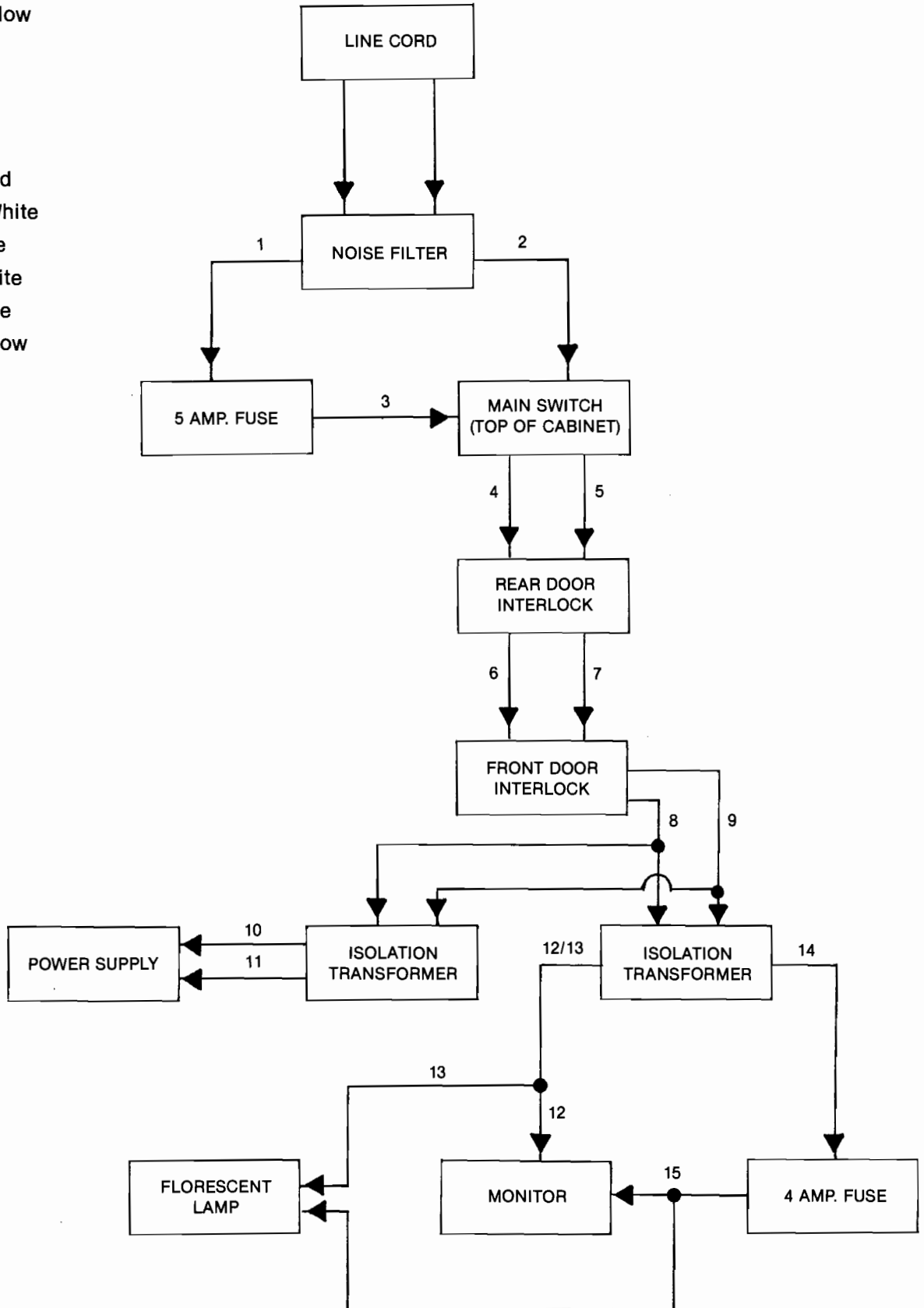
These features have been incorporated for you, the operator, to receive the best possible return on investment.

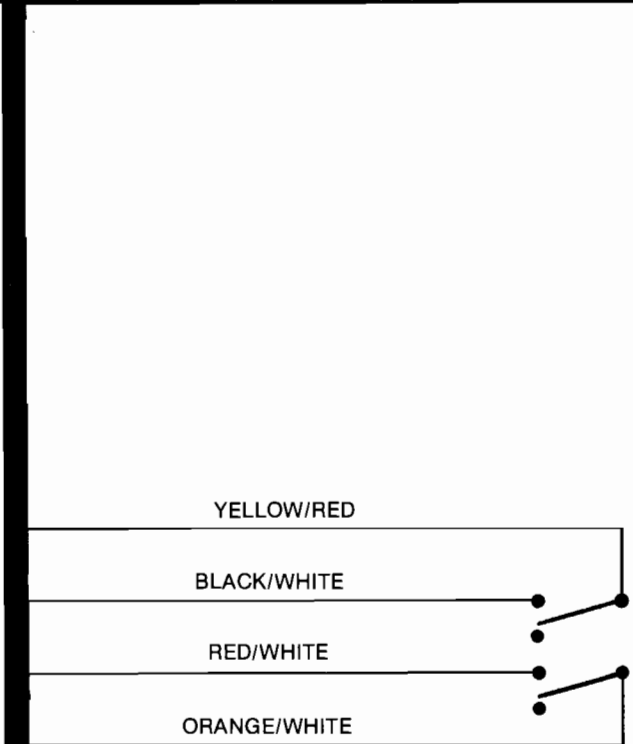
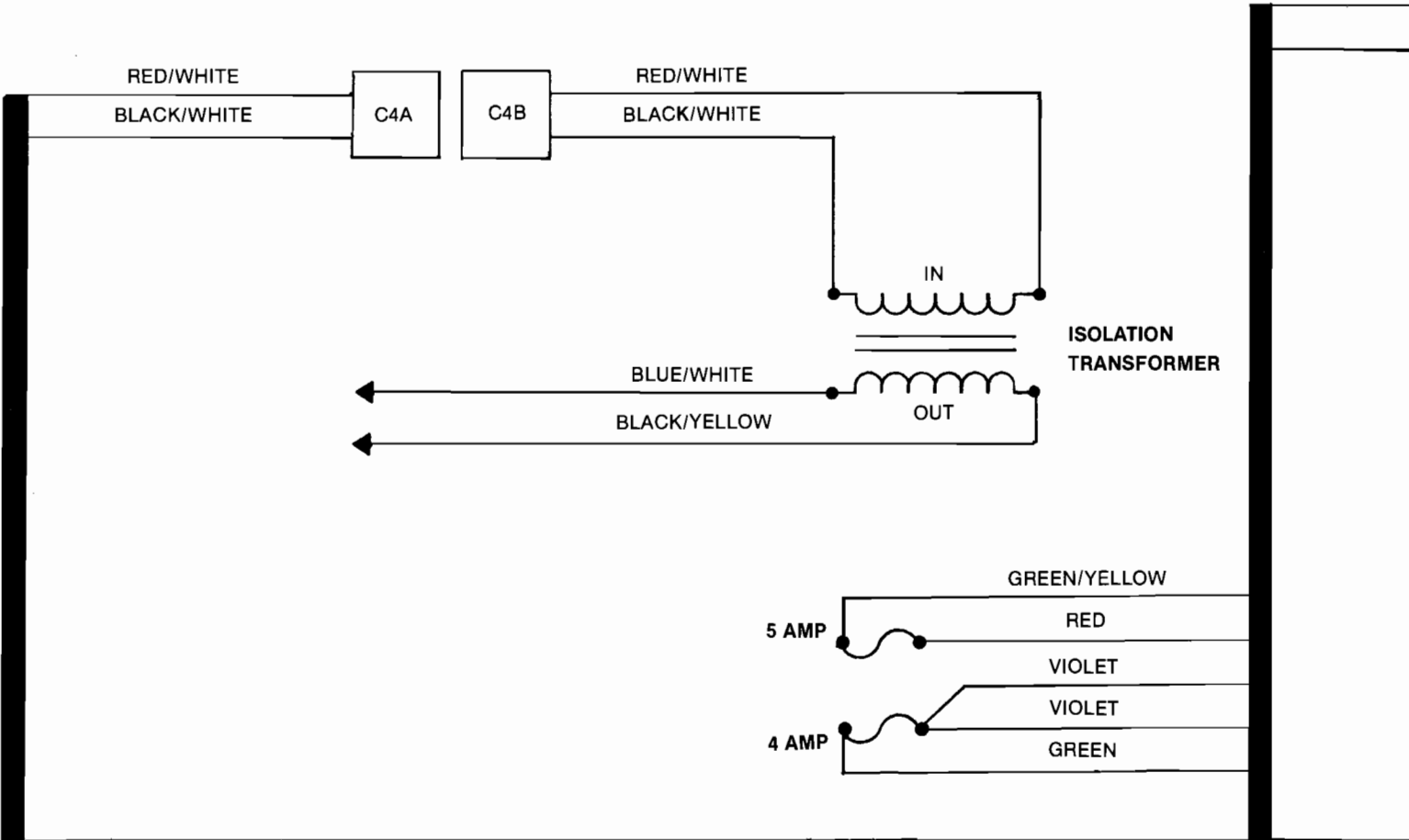
TABLE OF CONTENTS

	PAGE		PAGE
Konami's Cabinet AC Flow Chart	1	Coin Door Assembly Diagram	8
AC Cable Chart	2-3	Cleaning and Care of Coin Mechanism	9-10
DC Cable Chart	4-5	Coin Mechanism Parts List	11
Power Supply Schematic	6	Quick Change Monitor	12
Parts Diagram	7		

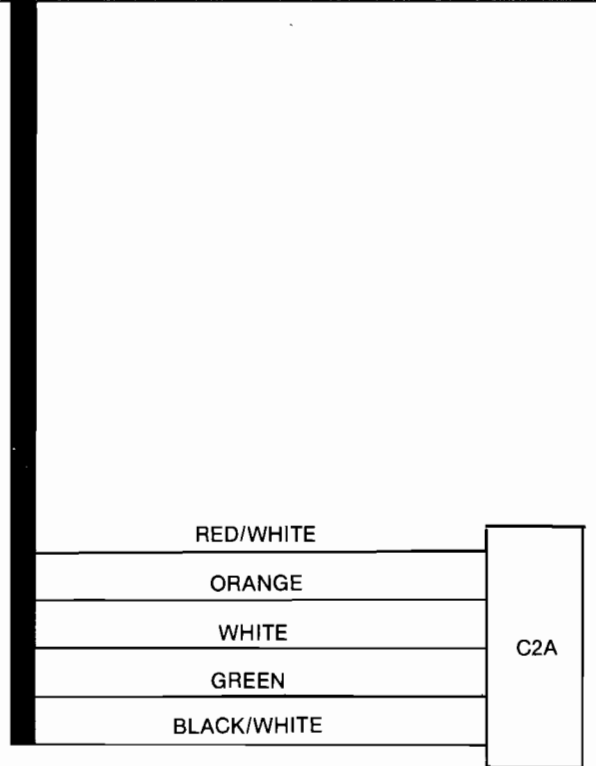
KONAMI'S CABINET AC FLOW CHART

1. Green/Yellow
2. Black
3. Red
4. Blue
5. Brown
6. Yellow/Red
7. Orange/White
8. Red/White
9. Black/White
10. Blue/White
11. Black/Yellow
12. White
13. Orange
14. Green
15. Violet

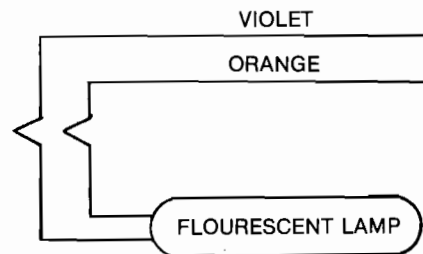
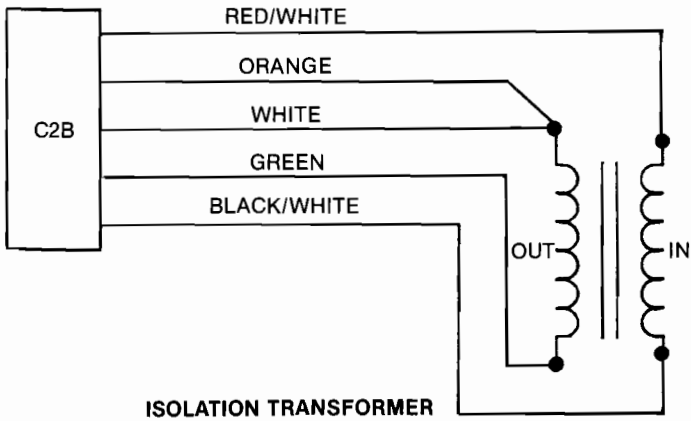
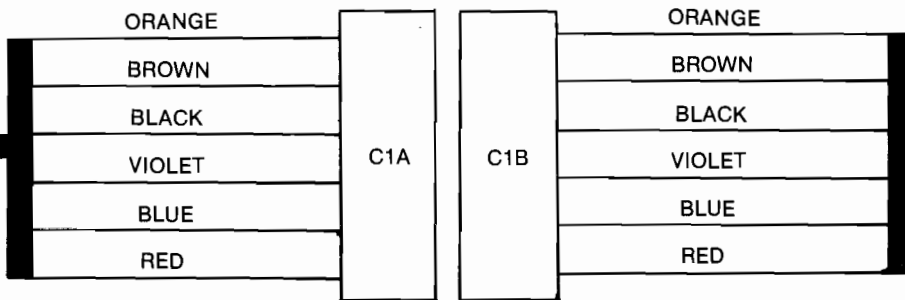
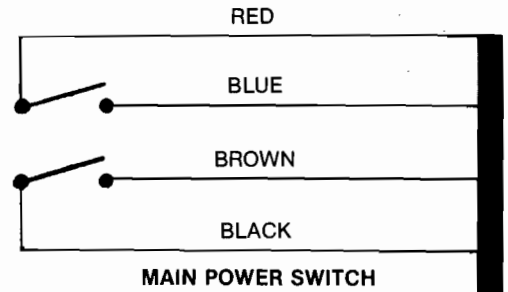
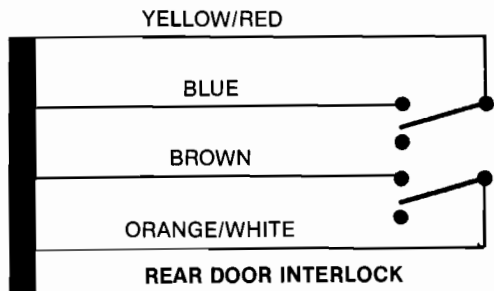
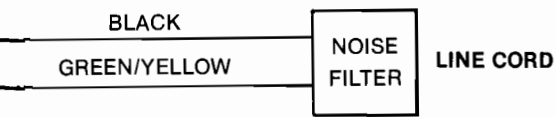




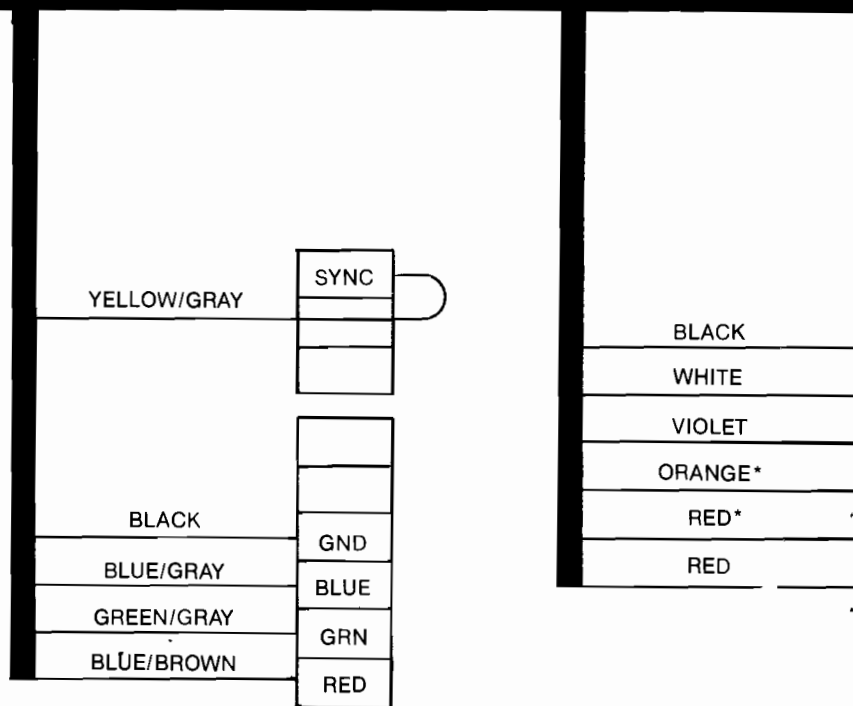
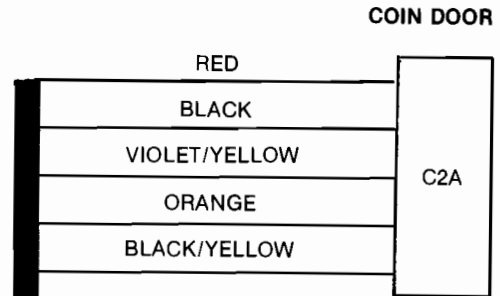
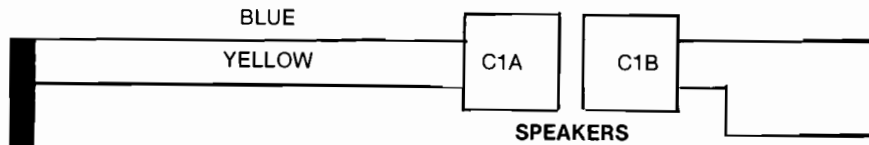
FRONT DOOR INTERLOCK



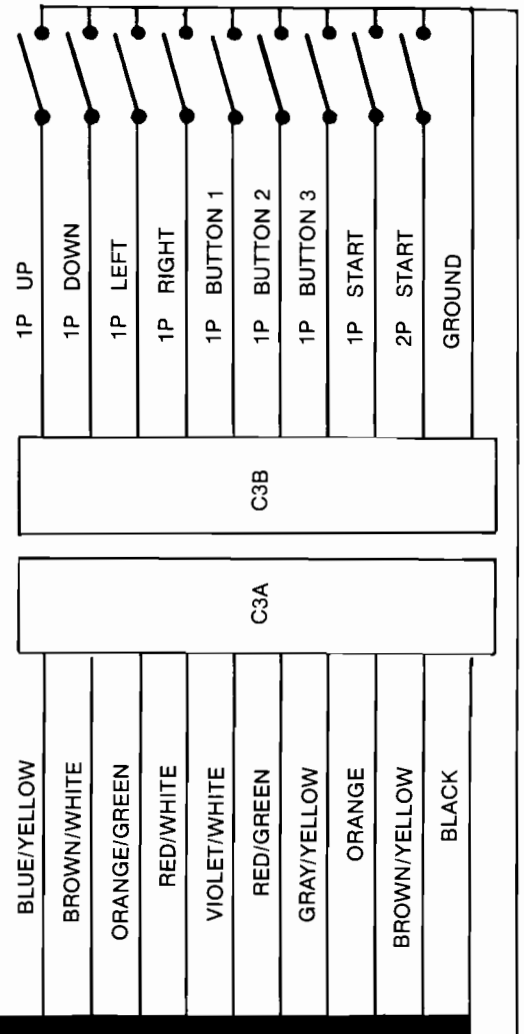
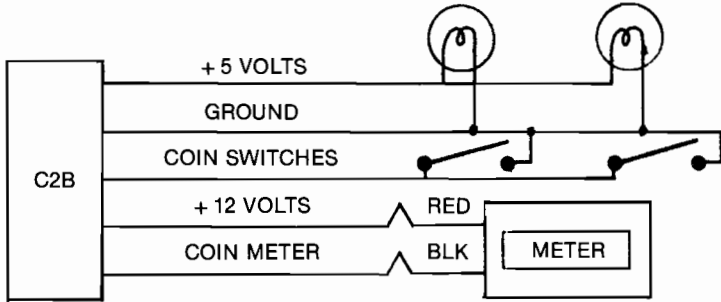
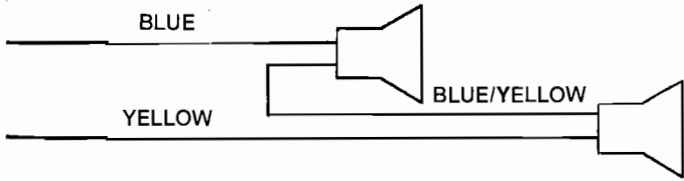
KONAMI'S CABINET AC CABLE



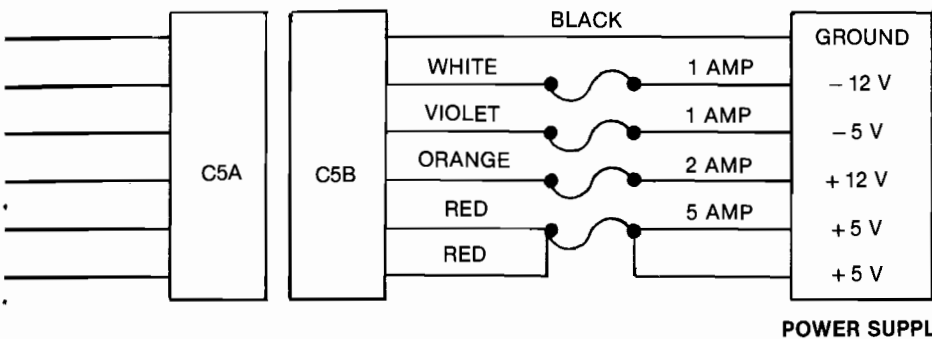
A1	VIOLET -5 VOLT
B1	ORANGE +12 VOLT
A2	YELLOW SPEAKER
B2	BLUE SPEAKER
A3	GREEN 2P BUTTON 1
B3	BROWN 2P BUTTON 2
A4	BLUE/WHITE 2P LEFT
B4	GRAY 2P RIGHT
A5	ORANGE 1P START
B5	BROWN/YELLOW 2P START
A6	VIOLET/WHITE 1P BUTTON 1
B6	YELLOW/RED 2P UP
A7	RED/GREEN 1P BUTTON 2
B7	EMPTY
A8	RED/WHITE 1P RIGHT
B8	ORANGE/GREEN 1P LEFT
A9	BLUE/YELLOW 1P UP
B9	ORANGE/YELLOW 2P DOWN
A10	VIOLET/YELLOW COIN SW.
B10	EMPTY
A11	BROWN/WHITE 1P DOWN
B11	BLACK/YELLOW COIN METER
A12	GRAY/YELLOW 1P BUTTON 3
B12	EMPTY
A13	GREEN/GRAY VID. GREEN
B13	BLUE/GRAY VID. BLUE
A14	BLUE/BROWN VID. RED
B14	YELLOW/GRAY VID. SYNC.
A15	WHITE -12 VOLT
B15	ORANGE/WHITE 2P BUTTON 3
A16	BLACK GROUND
B16	BLACK GROUND
A17	BLACK GROUND
B17	BLACK GROUND
A18	RED +5 VOLT
B18	RED +5 VOLT



KONAMI'S CABINET DC CABLE

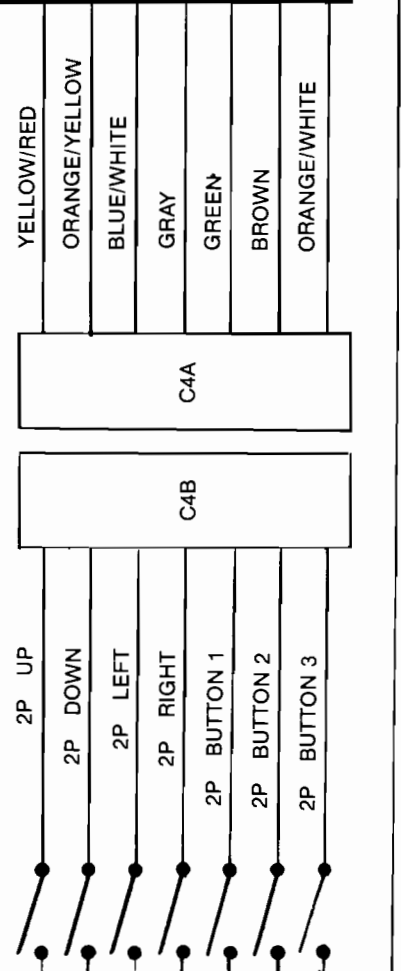


CONTROL PANEL

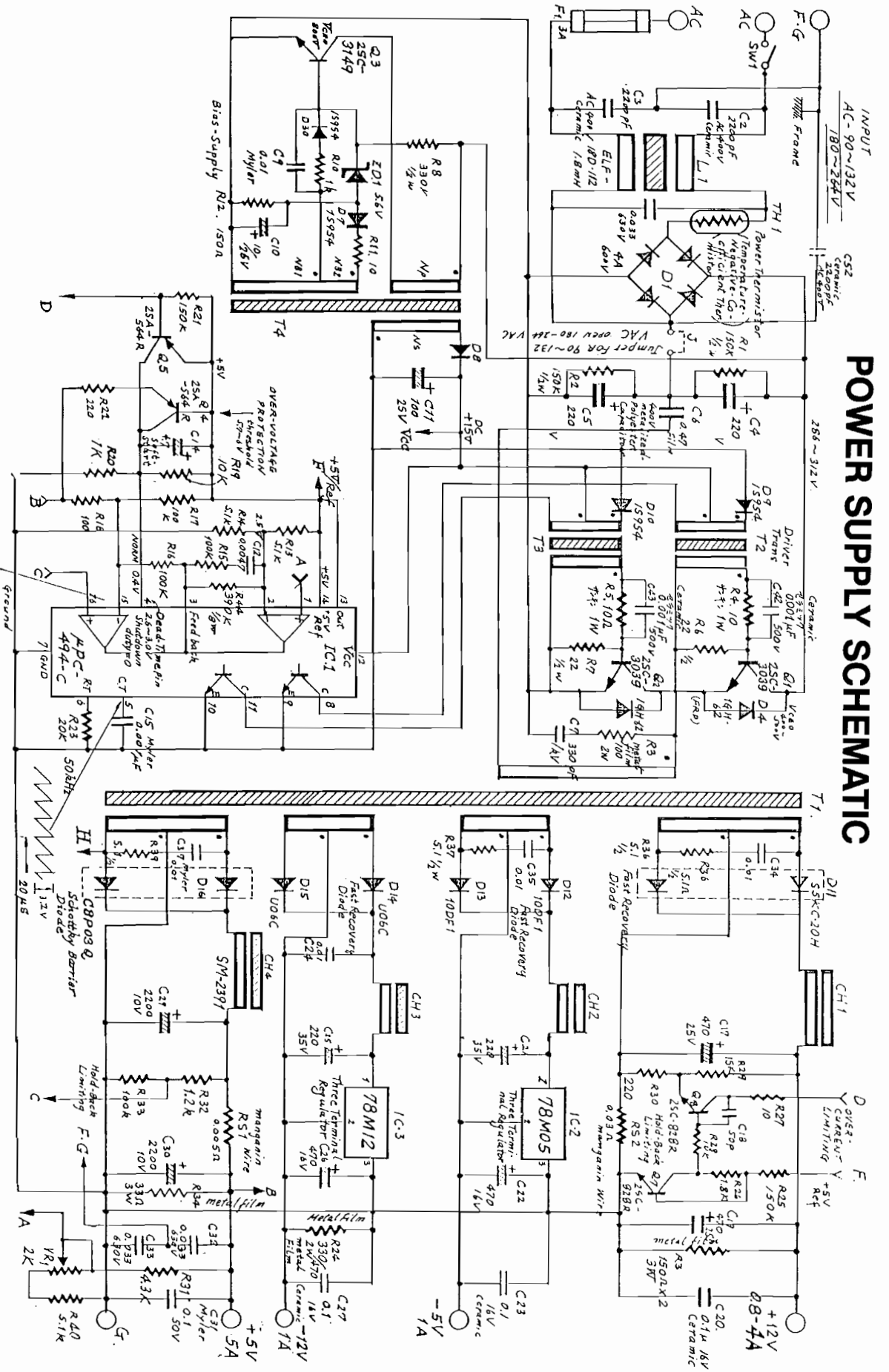


* NOTE: TWO ORANGE WIRES FROM C5A
 1 TO PCB CONNECTOR B1
 1 TO COIN METER

* NOTE: TWO RED WIRES FROM C5A
 1 TO PCB CONNECTOR A18
 1 TO COIN DOOR LIGHTS



POWER SUPPLY SCHEMATIC

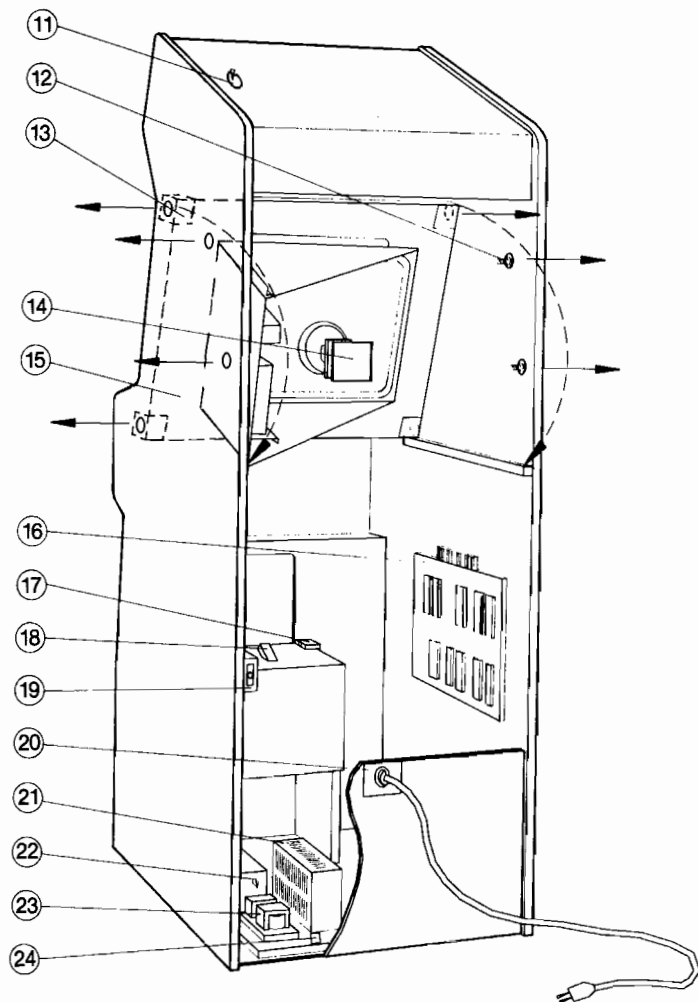
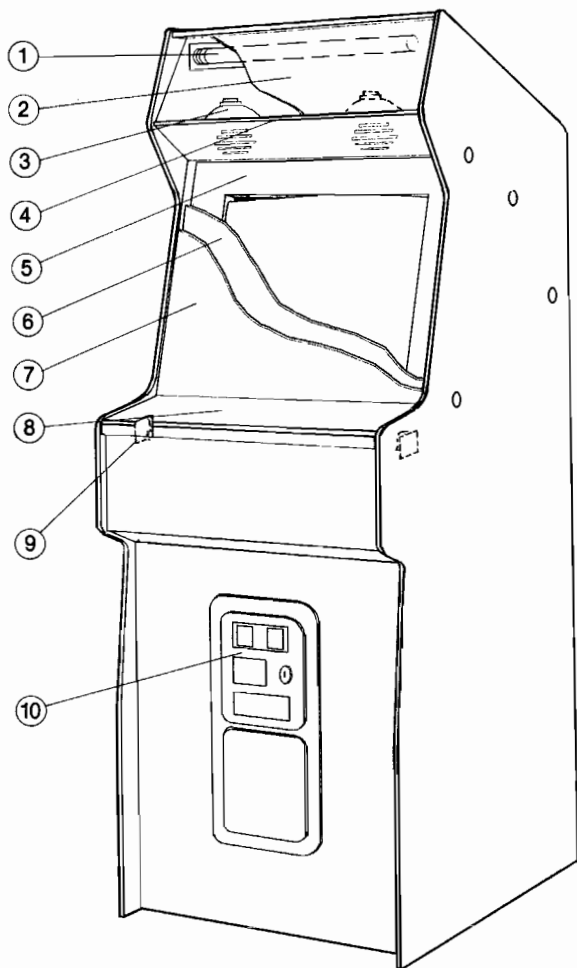


SWITCHING VOLT POWER SUPPLY

INPUT VOLTAGE: AC 100-130V*
 OUTPUT VOLTAGE: DC +5V 7A**
 DC -5V 1A (Not always used)
 DC +12V 3A
 DC -12V 1A (Not always used)

* Voltage selector located inside PS. can be changed to 190-264VAC. ** 5V adjustment potentiometer located inside PS.

- * CAPACITORS, NOT MENTIONED ARE ALL MYLAR-FILM CAPACITORS
- * RESISTORS, NOT MENTIONED ARE ALL CARBON RESISTORS



No.	Konami Part No.	Description
1	KEV-101	Marquee Florescent Light
2*	KEV-102	Marquee Plexi
3	KEV-103	8 ohm Speaker x 2
4	KEV-104	Marquee Bracket
5	KEV-105	Foam Monitor Bezal
6	KEV-106	Tinted Plexi
7	KEV-107	Tempered Glass
8*	KEV-108	Wood Control Panel
9	KEV-109	Control Panel Latch (2 piece)
10	KEV-110	Over & Under Coin Door
11	KEV-111	D.P.D.T. On-Off Switch
12	KEV-112	Monitor Bolts x 8

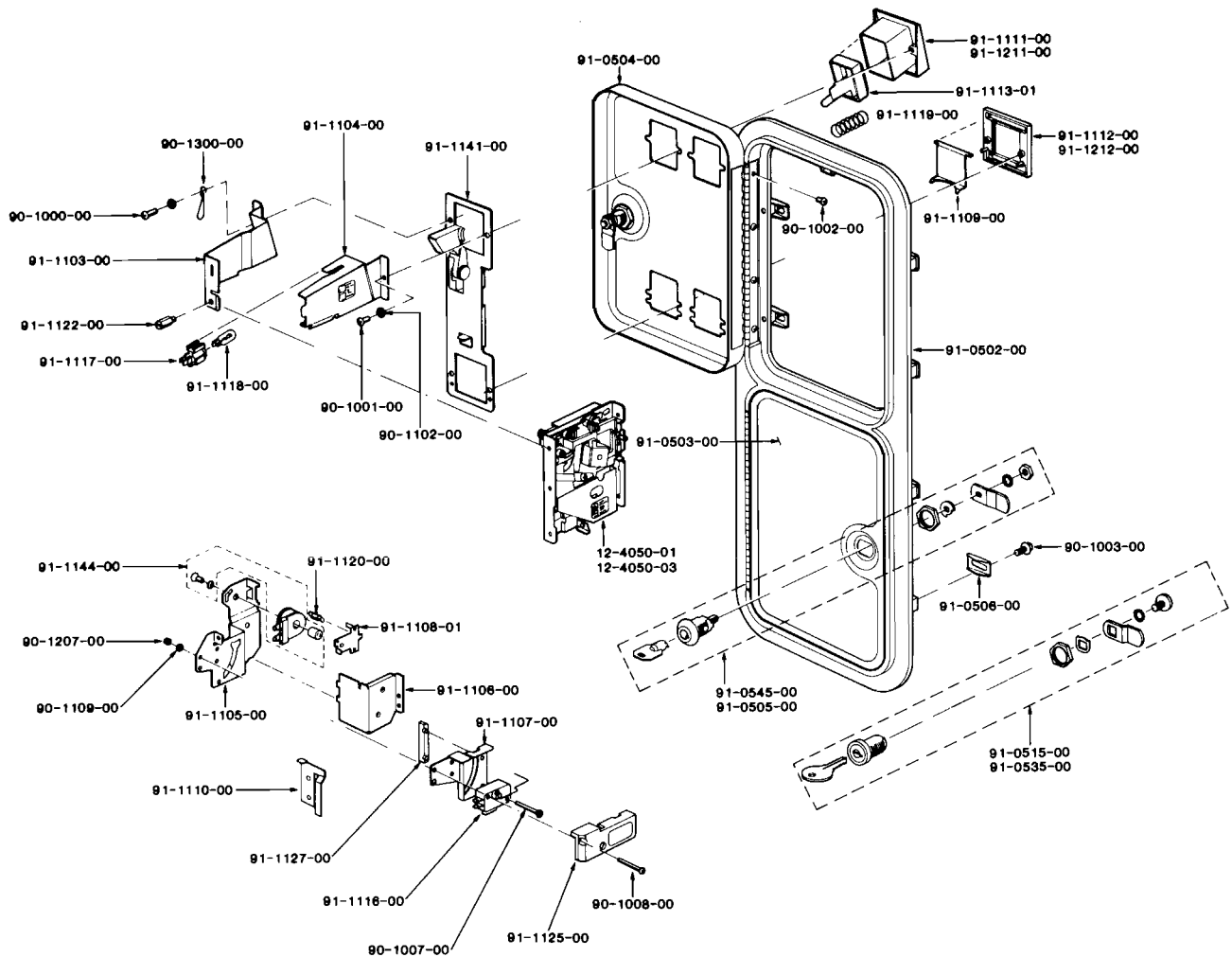
No.	Konami Part No.	Description
13	KEV-113	2-Position Monitor Bracket
14	KEV-114	R.G.B. Monitor
15	KEV-115	Wooden Monitor Housing
16*	KEV-116	Game P.C.B.
17	KEV-117	D.P.D.T. 2-way Interlock Switch
18	KEV-118	12 Volt Coin Meter
19	KEV-119	D.P.D.T. 2-way Interlock Switch
20	KEV-120	Line Cord w/Mounting Bracket
21	KEV-121	4 Output Voltage Power Supply
22	KEV-122	AC Voltage Fuse Holder x 2
23	KEV-123	Isolation Transformer x 2
24	KEV-124	In-Line Noise Filter

NOT SHOWN

- KEV-125 Marquee Light Shield (Cardboard)
- KEV-126 DC Wiring Harness
- KEV-127 AC Wiring Harness

*PLEASE INDICATE NAME OF GAME WHEN ORDERING

COMPLETE COIN DOOR ASSEMBLY EXPLODED VIEW



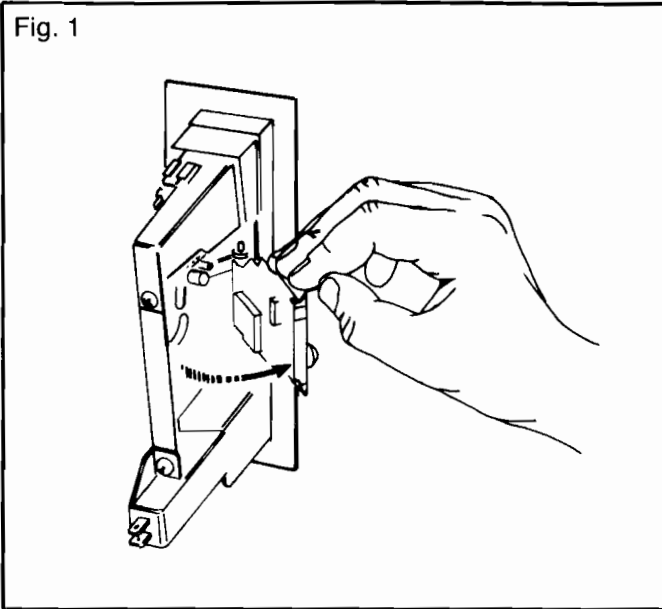
PARTS LIST

12-4050-01 S-10 Acceptor Body US 25°	90-1102-00 Washer for Bezel Screw	91-1103-00 Coin Inlet Lamp Side	91-1119-00 Button Spring
12-4050-03 S-10 Acceptor Body Canadian 25°	90-1207-00 Nut for Microswitch Mounting Screw	91-1104-00 Coin Inlet Cover Side	91-1120-00 Lockout Spring
20-4177-00 Plastic Cash Box	90-1300-00 Keyhook	91-1105-00 Reject Cup Side Plate	91-1122-00 Retaining Screw for Acceptor Body
20-4179-00 Steel Enclosure	91-0502-00 Zinc Die Cast Frame	91-1106-00 Reject Cup Base Plate	91-1125-00 Clear Plastic Cover for Microswitch
22-1400-00 Locking Bar	91-0503-00 Lower Door	91-1107-00 Microswitch Bracket	91-1127-00 Plastic Switch Adjuster
24-1150-00 Wire Harness	91-0504-00 Upper Door	91-1108-01 Lockout Flap US 25°	91-1141-00 Base Plate With Pivot and Stud
90-1000-00 Keyhook Bezel Screw	91-0505-00 Round Lock and Cam Assembly	91-1109-00 Reject Flap	91-1144-00 6 Volt DC Lockout Coil Assembly
90-1001-00 Bezel Screw	91-0506-00 Clamp	91-1110-00 Metal Switch Adjuster	91-1211-00 Zinc Plated Button Bezel
90-1002-00 Hinge Screw	91-0515-00 Flat Lock and Cam Assembly	91-1111-00 Black Button Bezel	91-1212-00 Zinc Plated Reject Bezel
90-1003-00 Clamp Screw	91-0535-00 Flat Lock and Cam Assembly	91-1112-00 Black Reject Bezel	
90-1007-00 Flat Head Microswitch Mounting Screw	91-0545-00 Round Lock and Cam Assembly	91-1113-01 Entry/Reject Button US 25°	
90-1008-00 Panhead Microswitch Mounting Screw		91-1116-00 Microswitch (Black End Arm)	
		91-1117-00 Lampholder	
		91-1118-00 6 Volt Wedge Base Lamp	

Gold Mech: Service Information

CLEANING and CARE of the MECHANISM

Fig. 1



The magnet that is fitted to the mechanism, should be kept clean from foreign particles. The magnet can be cleaned by swinging the gate open. (as shown in Fig. 1). Remove metal filings from the magnet by guiding the point of a screwdriver along the edges of the magnet, such that the filings cling to the screwdriver.

The mechanism can be cleaned by immersing in water using a small brush to clean the mechanism. Rinse the mechanism with boiling water and dry with compressed air.

Note:

Since the Gold Mech relies on coins passing the magnet at a constant speed, the rejector must be free of dirt and grease which may slow down the coins. Do not lubricate the acceptor with oil as this slows down coins.

If the above procedures are not successful, check for worn, bent or damaged parts and replace where necessary.

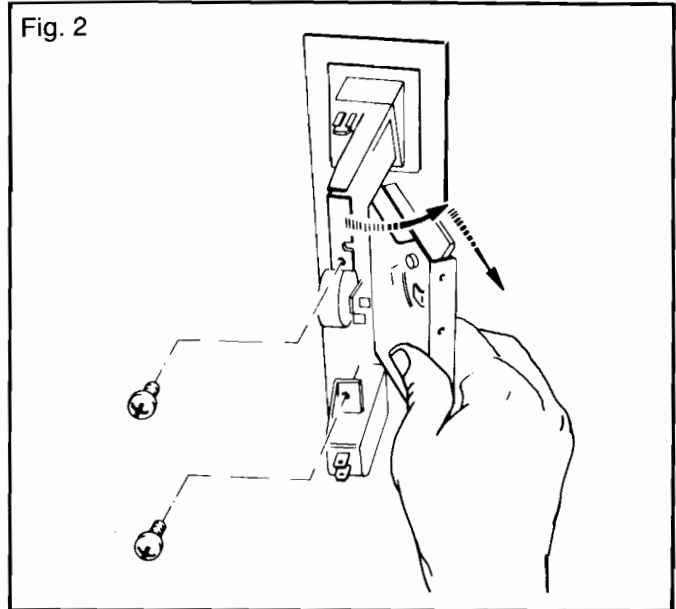
Coin switch

The coin switch comes in two different spring tensions—identified by the color of the plastic boss at the wire's pivot point.

Red: Light tension—U.S. 25¢

White: Heavy tension—heavy foreign coins

Fig. 2

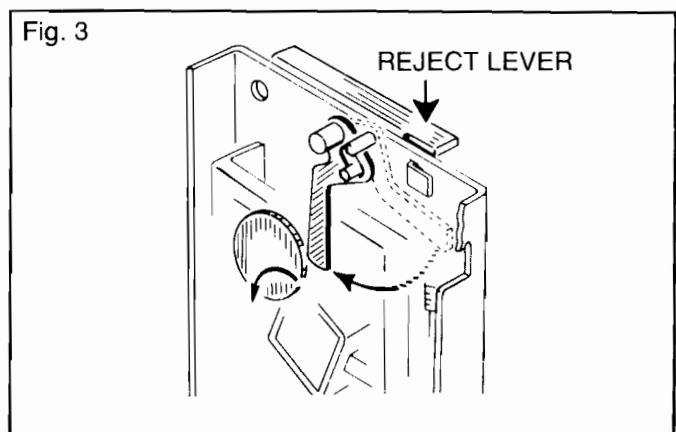


Removal of Mechanism

To remove the coin selector: Unscrew the two screws (as shown in Fig. 2)—swing rear of selector body away from the lock-out side and withdraw.

The Gold Mech Acceptors are designed to require a minimum of maintenance and field adjustment. Coins are checked by diameter and thickness, weight, metal content, bounce, and for ferromagnetic coins such as nickel and steel, a rim test is also used.

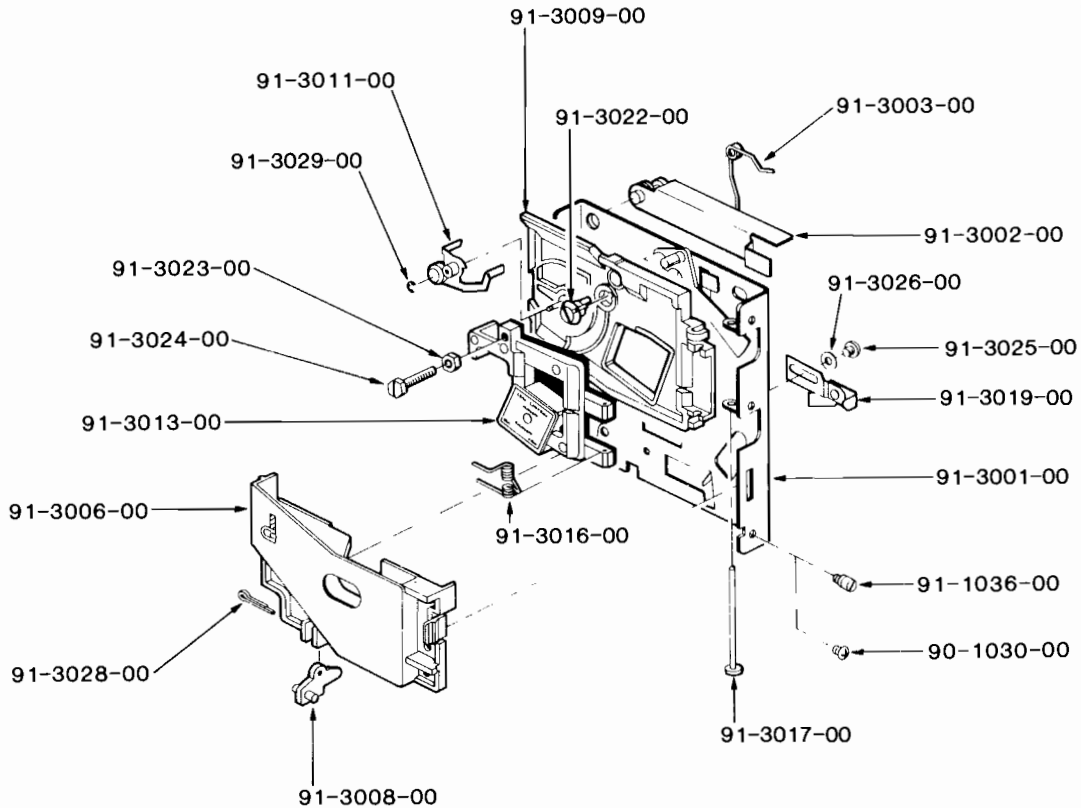
Fig. 3



The Magnet

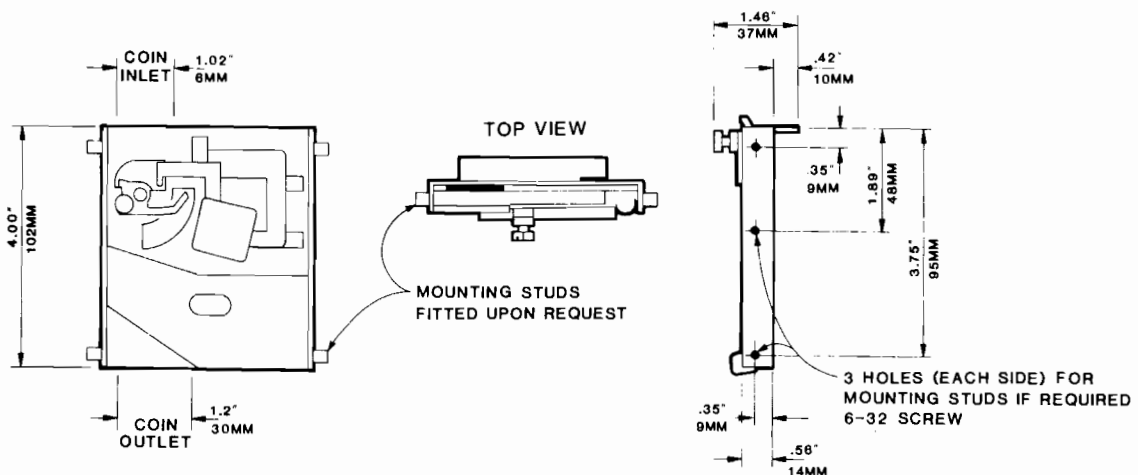
Coins that are too thick will fail to pass between the magnet and the backplate of the mechanism; and will be cleared by the magnet wiper when the reject lever is actuated. (Fig. 3)

Gold Mech Engineering Data and Parts List



PARTS LIST

90-1030-00 Retaining Screw (#6-32" x .250")	91-3009-00 Gate	91-3023-00 Locknut-Magnet Holder
91-1036-00 Mounting Stud	91-3011-00 Cradle	91-3024-00 Screw-Magnet Holder
91-3001-00 Back Plate	91-3013-00 Magnet Holder with Magnet	91-3025-00 Screw Separator
91-3002-00 Reject Lever	91-3016-00 Gate Spring	91-3026-00 Washer
91-3003-00 Reject Lever Spring	91-3017-00 Gate Pin	91-3028-00 Cotter Pin for Anti-Stringing Device
91-3006-00 Cover Plate	91-3019-00 Separator	91-3029-00 E-Clip for Cradle
91-3008-00 Anti-Stringing Device	91-3022-00 Diameter Adjustment	



QUICK CHANGE MONITOR

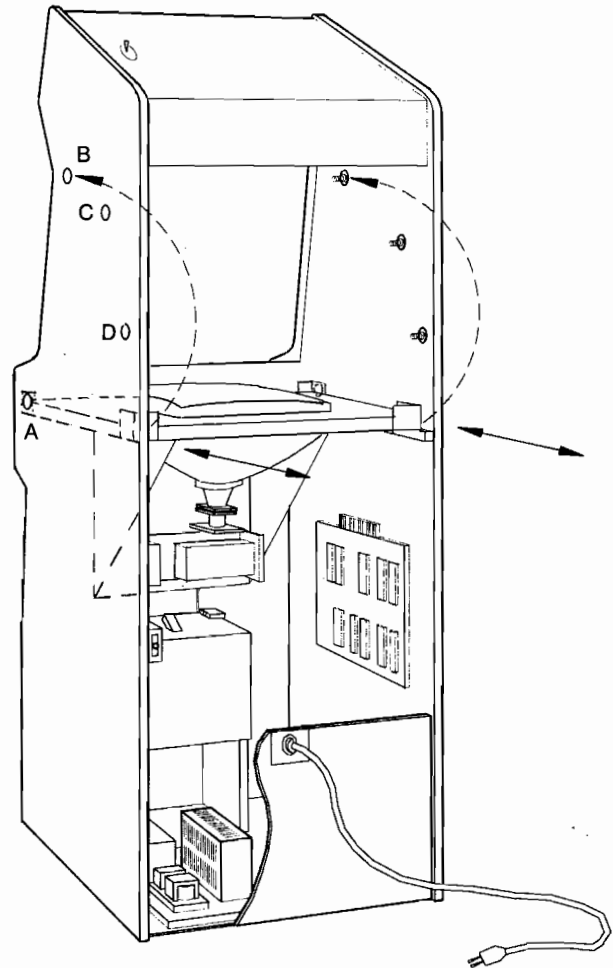
AS ALWAYS, WHEN INVOLVED IN SERVICING OF A VIDEO MONITOR BE EXTREMELY CAREFUL OF THE HIGH VOLTAGE.

The Konami Cabinet has been uniquely designed to be utilized for a horizontal or vertical monitor game. The Konami Cabinet is built with a vertical style monitor which is mounted on a 22½" by 22½" square mounting board. The monitor mounting board has a 13 gauge steel two-way bracket in each corner. Since the monitor board is square and the brackets are mirror-imaged, the monitor can be quickly and easily converted from vertical to horizontal or vice-versa.

1. Make sure the power line cord is unplugged.
2. Remove back door and control panel.
3. Remove tempered glass, tinted plexi, and foam bezel.
4. Disconnect all wires leading to the monitor.
5. Disconnect all wires leading to the top of the cabinet.
6. Remove bolts 'B', 'C', and 'D' from each side of the cabinet.
7. Lower the top part of the monitor down, leaving the pivoting bolt 'A' in place, until the monitor rests on the shelf (as shown in figure to the right).
8. Remove bolts 'A' and the monitor is free to slide out of the cabinet.
9. Turn monitor to desired position.

NOTE: When mounting the monitor vertically; monitor chassis should be toward the bottom of the cabinet.
When mounting the monitor horizontally; monitor chassis should be to your left when looking in the back of the cabinet.

10. Slide monitor back into the cabinet.
11. Secure bottom of monitor with bolts 'A'.
12. Depending on desired angle secure top of monitor bolts
B $\approx 70^\circ$
C $\approx 40^\circ$
D $\approx 15^\circ$
13. Reconnect all wires.



USER INFORMATION
WARNING
F.C.C. REGULATION COMPLIANCE

THIS EQUIPMENT COMPLIES WITH THE REQUIREMENTS IN PART 15 OF FCC RULES FOR A CLASS A COMPUTING DEVICE. OPERATION OF THIS EQUIPMENT IN A RESIDENTIAL AREA MAY CAUSE UNACCEPTABLE INTERFERENCE TO RADIO AND TV RECEPTION REQUIRING THE OPERATOR TO TAKE WHATEVER STEPS ARE NECESSARY TO CORRECT THE INTERFERENCE.

Konami®

1555 BRUMMEL AVENUE, ELK GROVE VILLAGE, IL 60007
TELEPHONE: (312) 364-6633 FAX: (312) 364-1368 TELEX: 6871385 KONAM UW