


\$5.00

TM-198



ATARI[®]

 A Warner Communications Company

MECHANICAL ASSEMBLIES

CONTROLS • COIN DOORS • POWER SUPPLIES

ATARI Customer Service
1105 No. Fair Oaks Ave. Sunnyvale, CA 94086

This booklet contains exploded views of the power supply, player controls, and coin doors used in most of Atari's recent games. These illustrations are the same ones you will find in our game manuals. You can use this information to order parts, service games, or request technical assistance.

Your Atari coin-op game can always be a money-maker, because we won't forget you after the game is sold.

© 1982 by Atari, Inc.

All rights reserved.

No part of this publication may be reproduced by any mechanical, photographic, or electronic process, or in the form of a phonographic recording, nor may it be stored in a retrieval system, transmitted, or otherwise copied for public or private use, without permission from the publisher.

This technical manual, is protected by the U.S. Copyright Act of 1976.

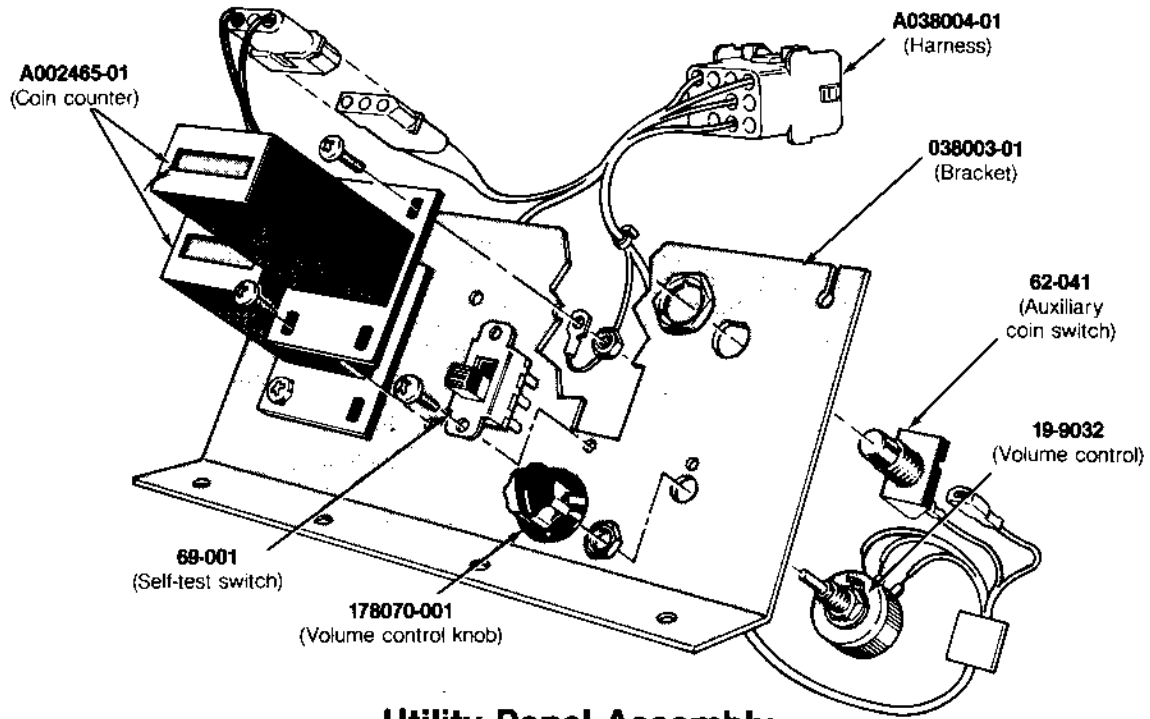
This Act provides for increased penalties for violating federal copyright laws. Courts **can impound** infringing articles while legal action is pending. If infringers are convicted, courts can **order destruction** of the infringing articles.

In addition, the Act provides for payment of statutory damages of up to \$50,000 in certain cases. Infringers may also have to pay costs and attorneys' fees, fines up to \$25,000, and face an imprisonment of up to one year.

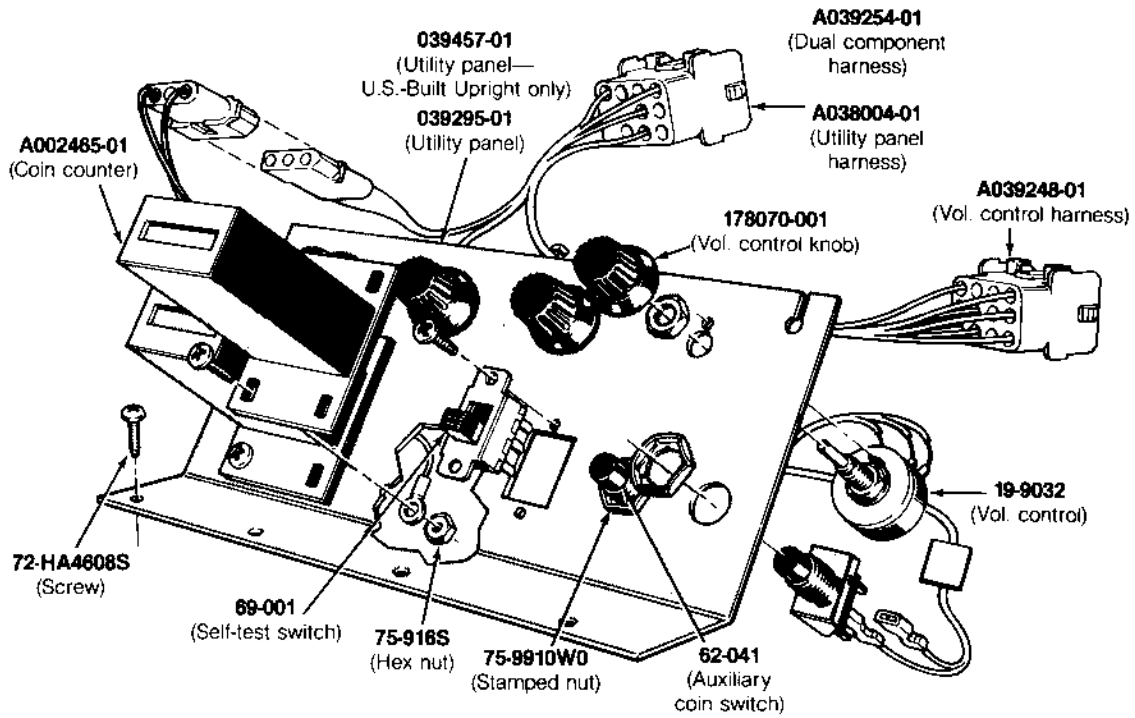
Atari will aggressively enforce its copyrights against any infringers. **We will use all legal means** to immediately halt any manufacture, distribution, or operation of a copy of video games made by us. Anyone who purchases such copies risks forfeiting such a game.

Published by:
ATARI, INC.
790 Sycamore Drive
P.O. Box 906
Milpitas, California 95035

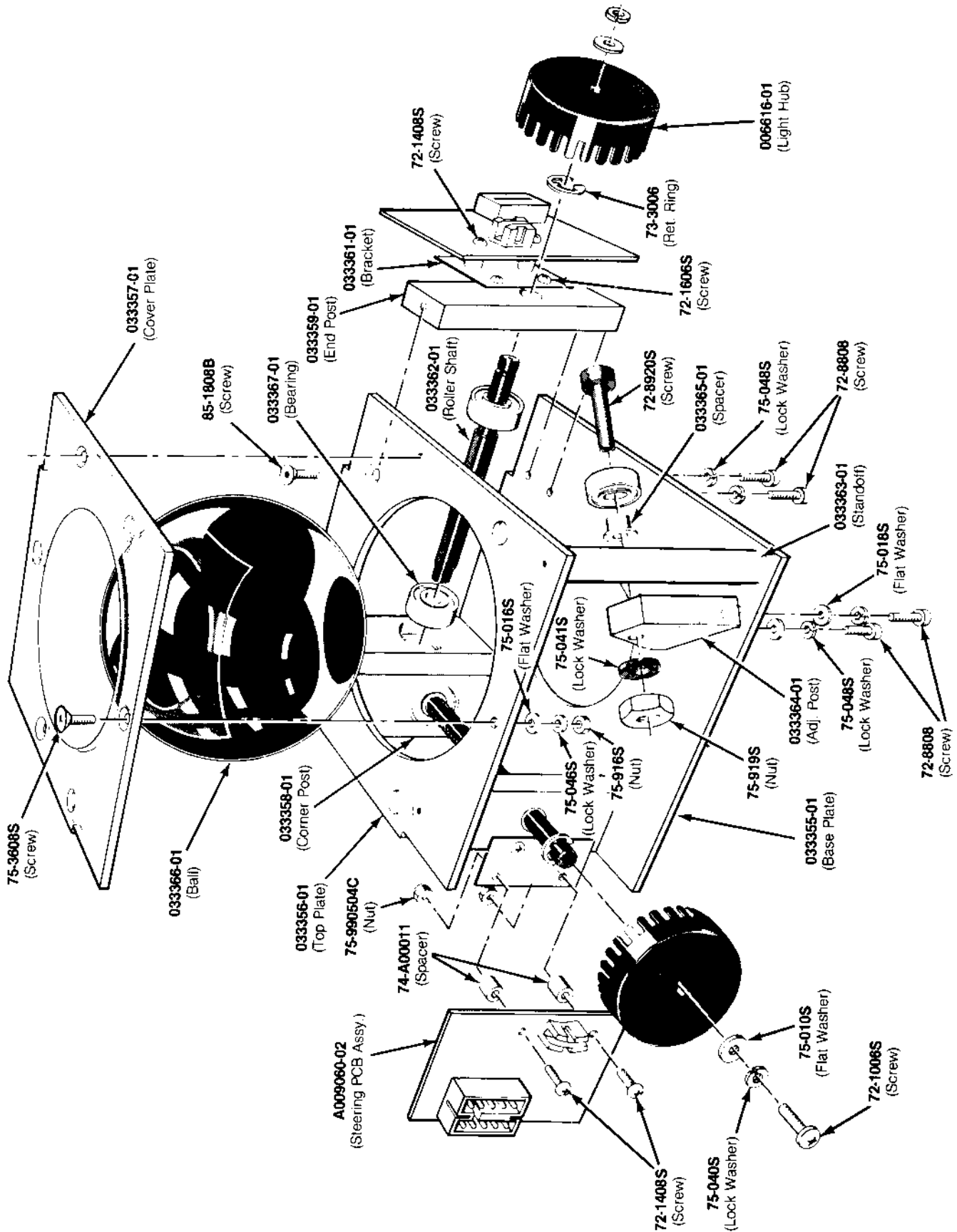
Lithographed in the U.S.A. 11L



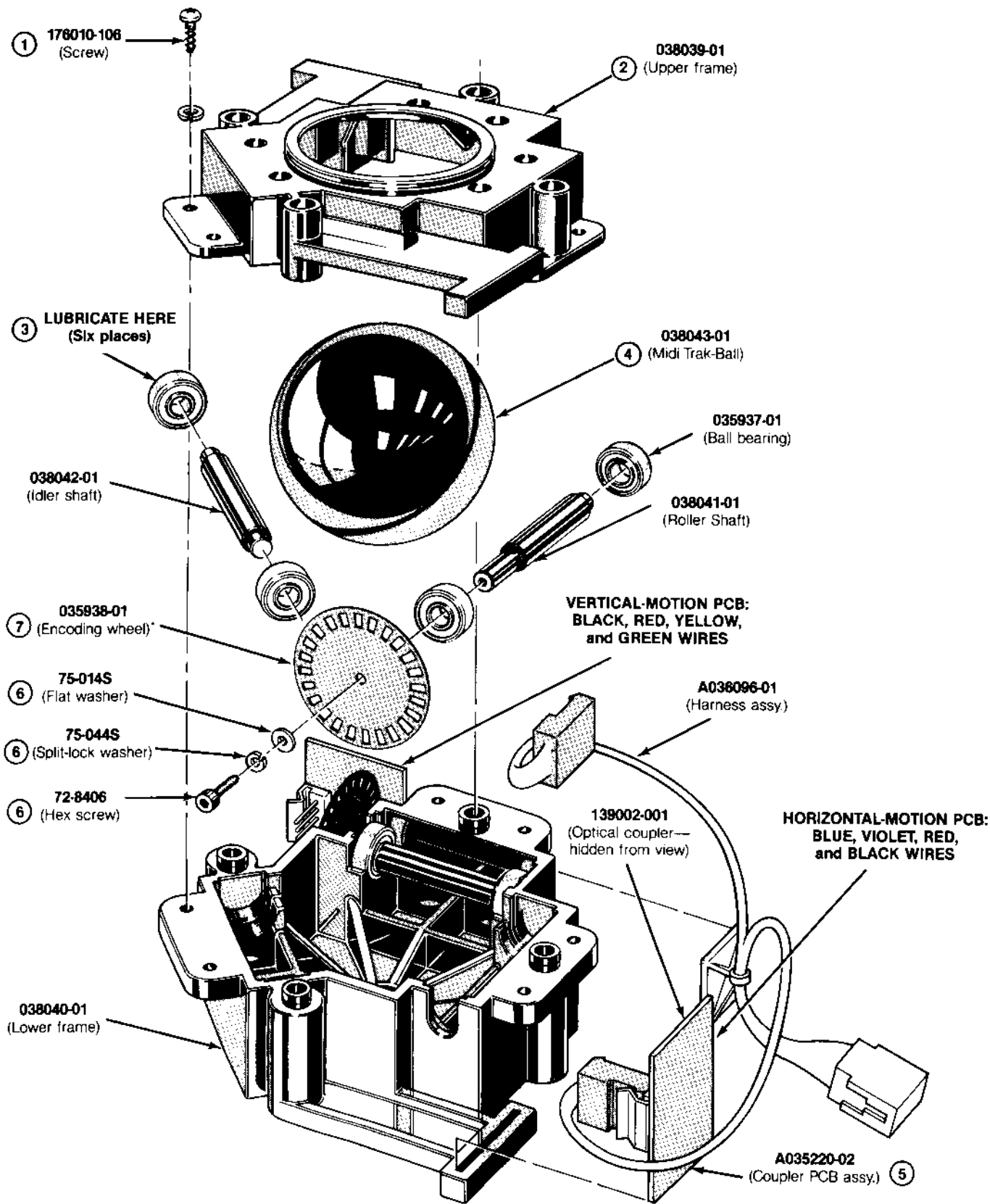
**Utility Panel Assembly
A038002-01 & -02 F**



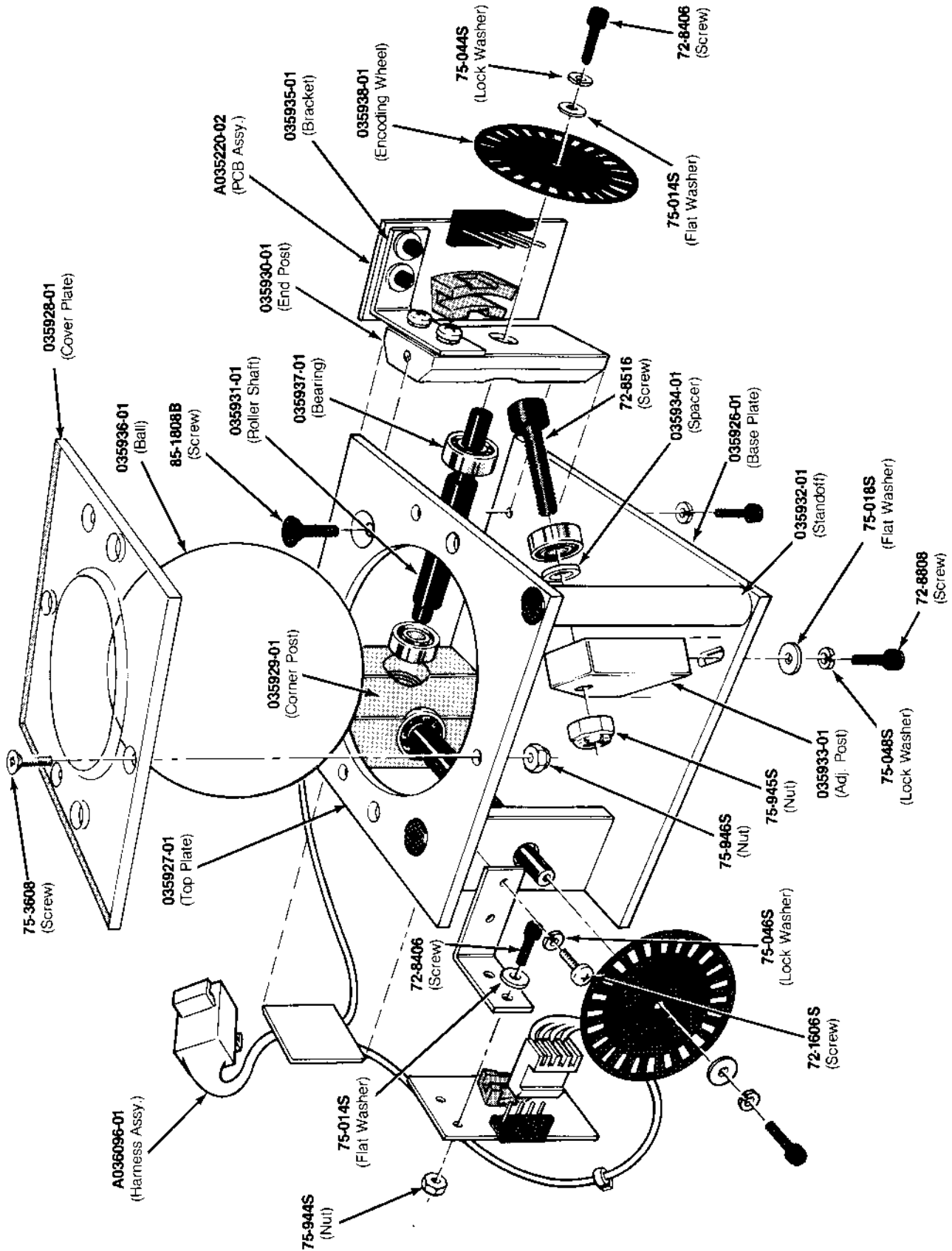
**Utility Panel Assembly
A039391-xx C**



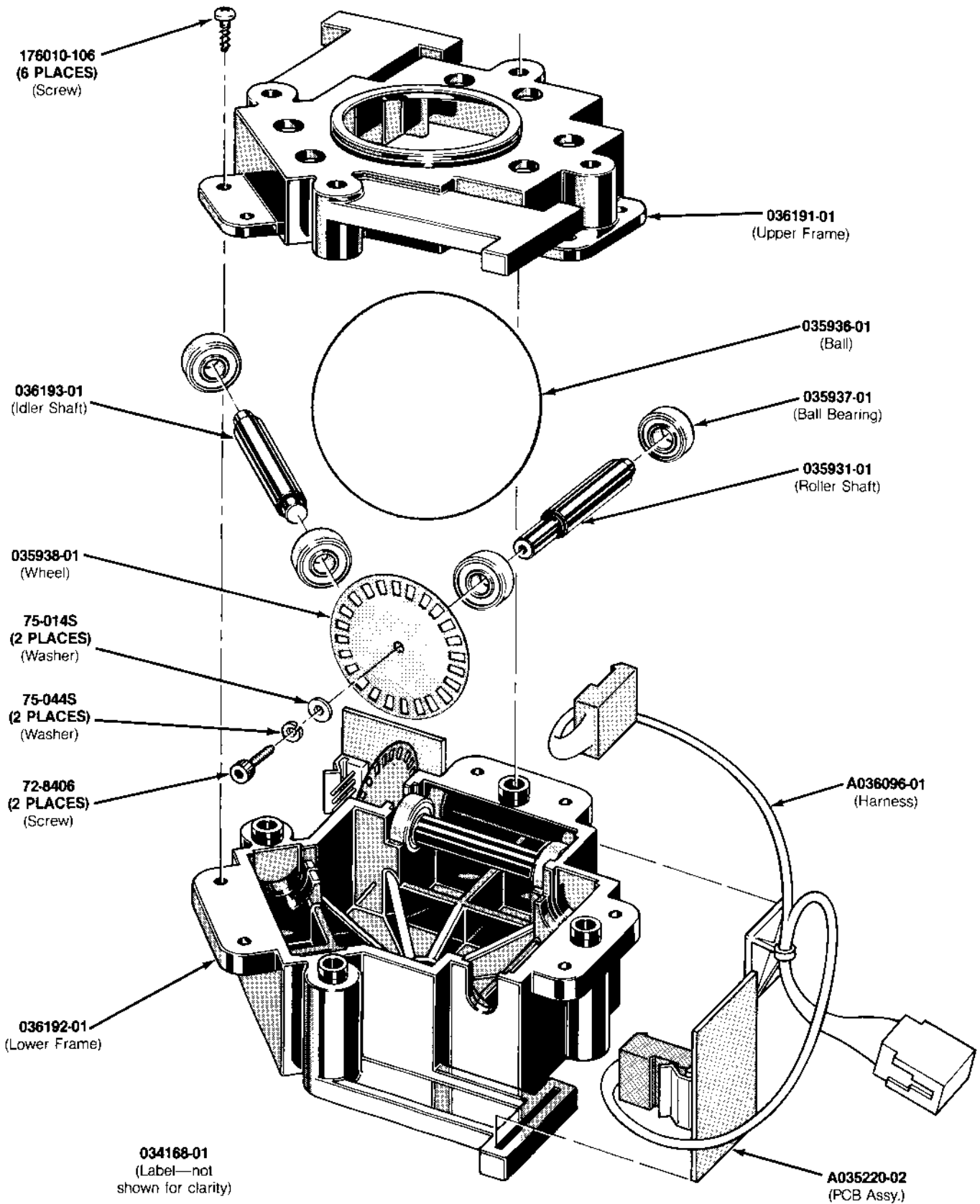
Trak Ball™ Assembly
A033360-01 H



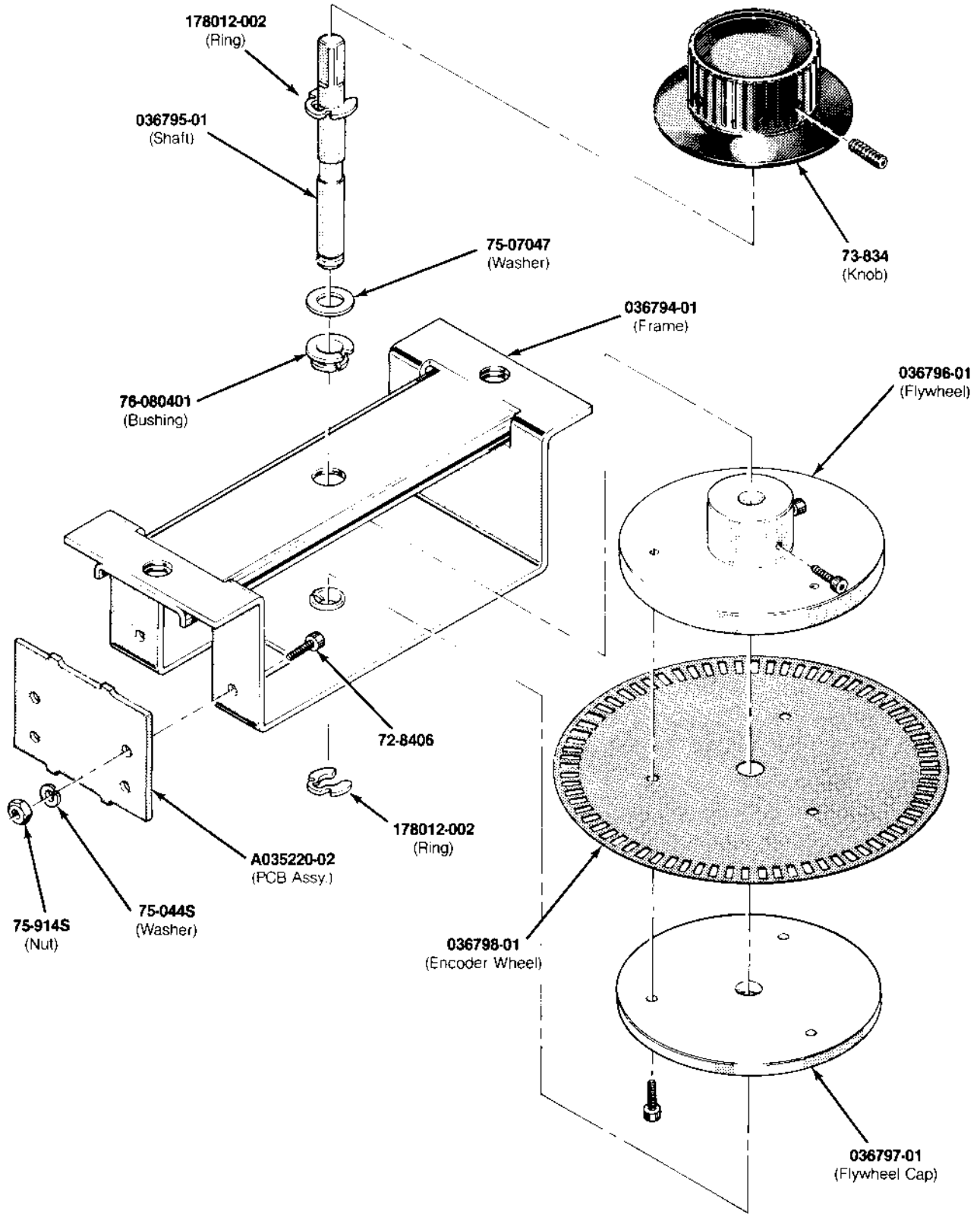
Midi Trak-Ball™ Assembly
A038038-01 A



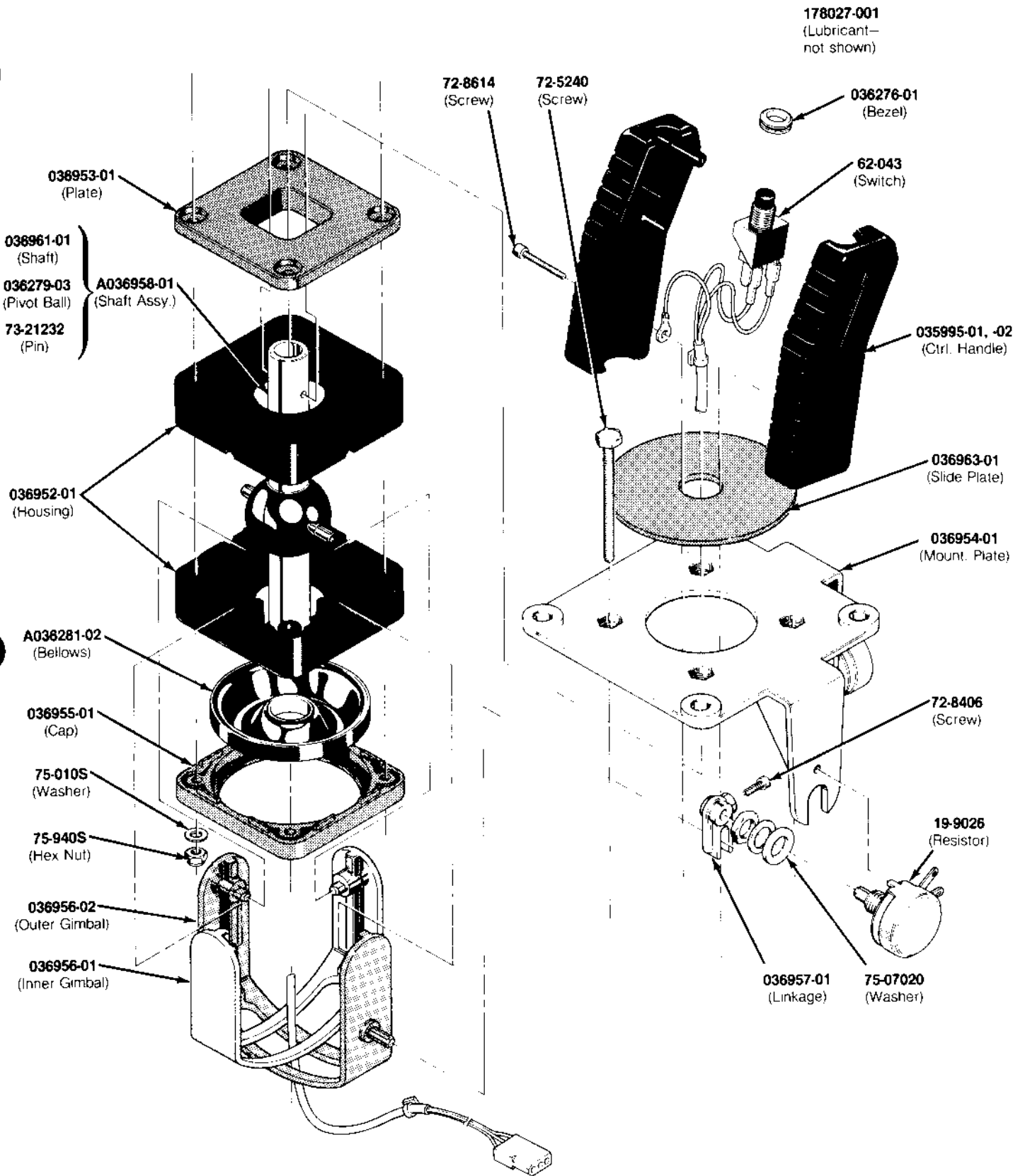
**Mini-Trak Ball™ Assembly
A035940-01 A**



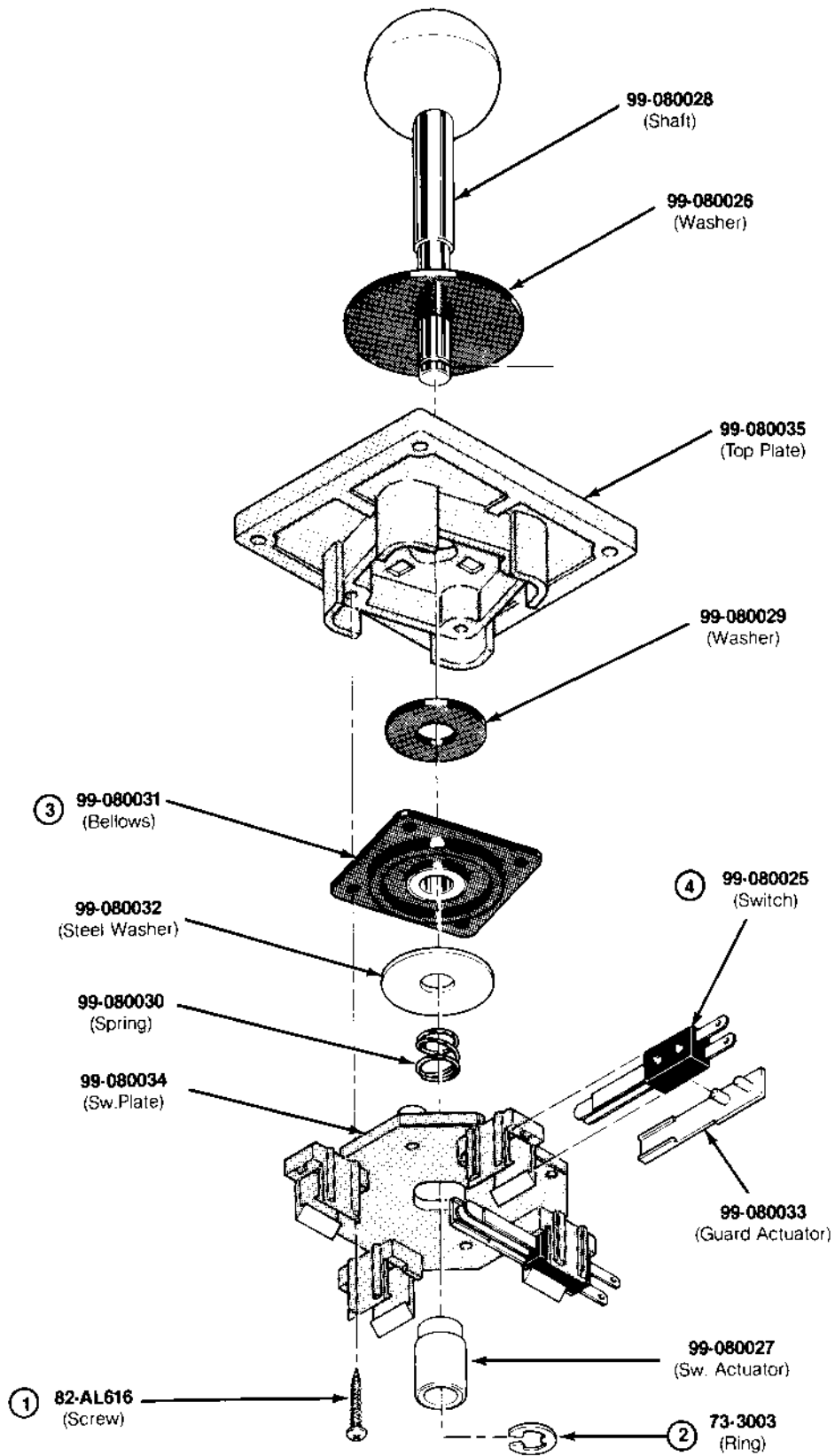
Mini-Trak Ball™ Assembly
A036190-01 A



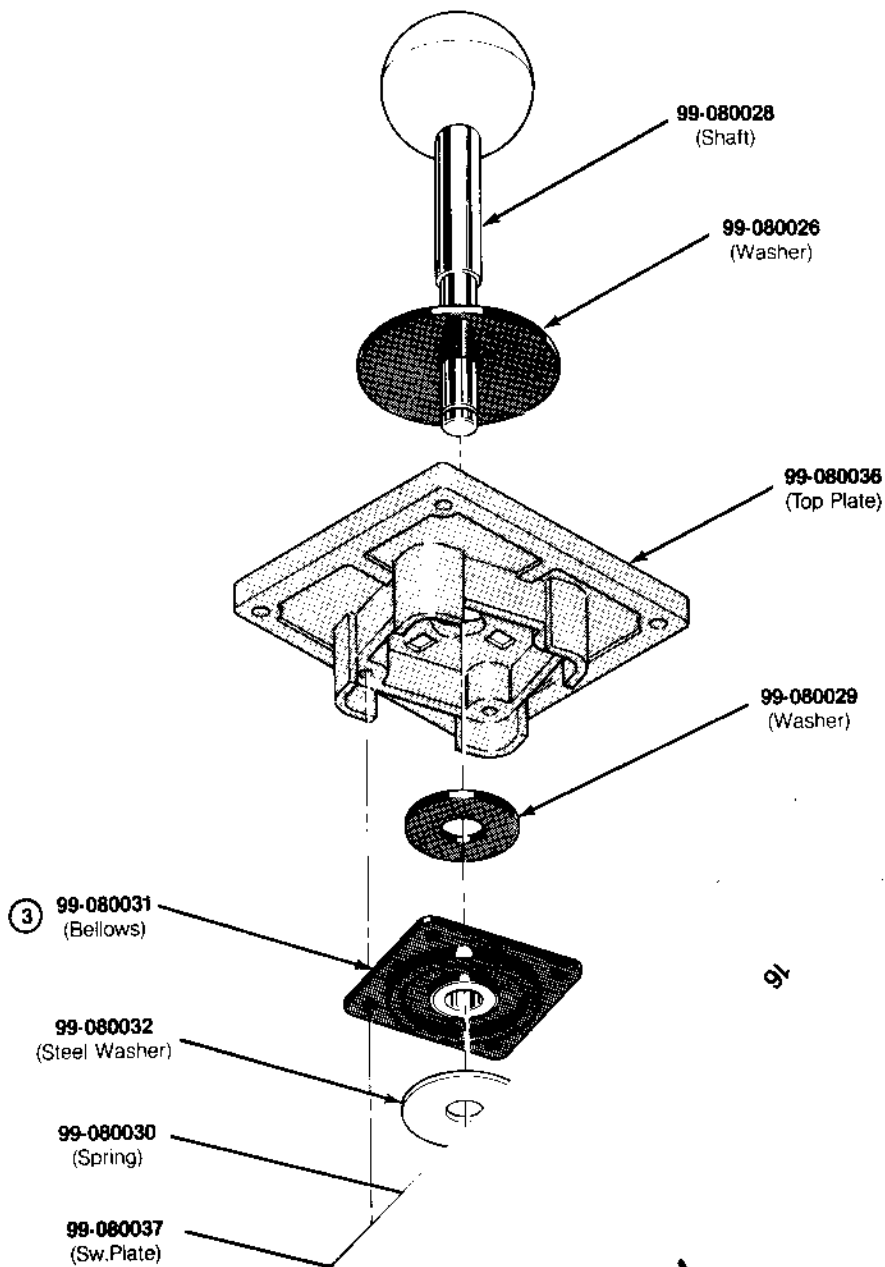
**Encoder Wheel Assembly
A037781-01 A**



Gimbal-Type Joystick Assembly
A036951-01 C



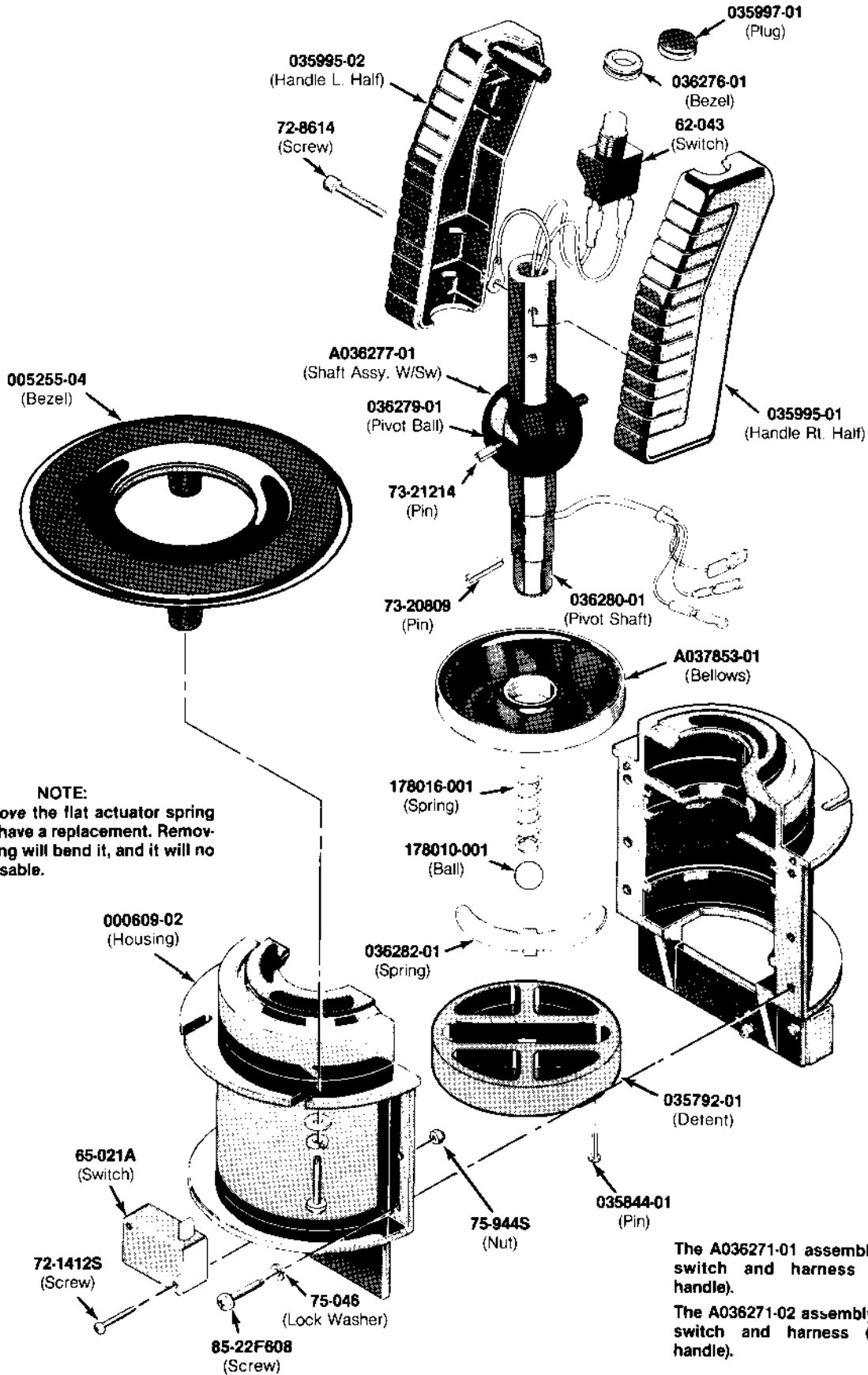
4-Position Joystick Assembly
171016-001



American-Made Vertically Mounted Coin Door
171027-001 A

- 99-10075 (Switch with 100Y)
- A037619-15 — French 2 Fr/1 Fr Coin Door
- A037619-16 — Swedish 1 Kr/1 Kr Coin Door
- A037619-17 — Spanish 25 Ptas/25 Ptas Coin Door
- A037619-18 — Italian 100 L/100 L Coin Door
- A037619-19 — Hong Kong \$1/\$1 Coin Door
- A037619-20 — Japanese 100Y/100Y Coin Door

Vertically Mounted Coin Door, continued
171027-001 A



The A036271-01 assembly has NO fire switch and harness (left control handle).
The A036271-02 assembly HAS the fire switch and harness (right control handle).

**Control Handle Assembly
A036271-01 and -02 C**

- 005255-03
(2-Spd. Bezel)
- 005255-05
(3-Spd. Bezel)
- 005255-02
(4-Spd. Bezel)

78-16002
(Lubricant—
Not Shown)

NOTE
The shift bezel is not part of the gear shifter assembly and must be purchased separately.

A000610-02
(Handle)

- A000608-06 4-speed gear shifter assy. (uses 4 switches)
- A000608-07 3-speed gear shifter assy. (uses 3 switches)
- A000608-08 4-speed gear shifter assy. (uses 3 switches)
- A000608-09 2-speed gear shifter assy. (uses 2 switches)
- A000608-10 3-speed gear shifter assy. (uses 4 switches)

78-3002003
(Spring)

76-11375S
(Ball Bearing)

000609-02
(Housing)

65-021A
(Switch)

- 000611-02
("H" Detent)
- 005671-02
("N" Detent)
- 035792-01
(Strt. Detent)

035301-01
(Pin)

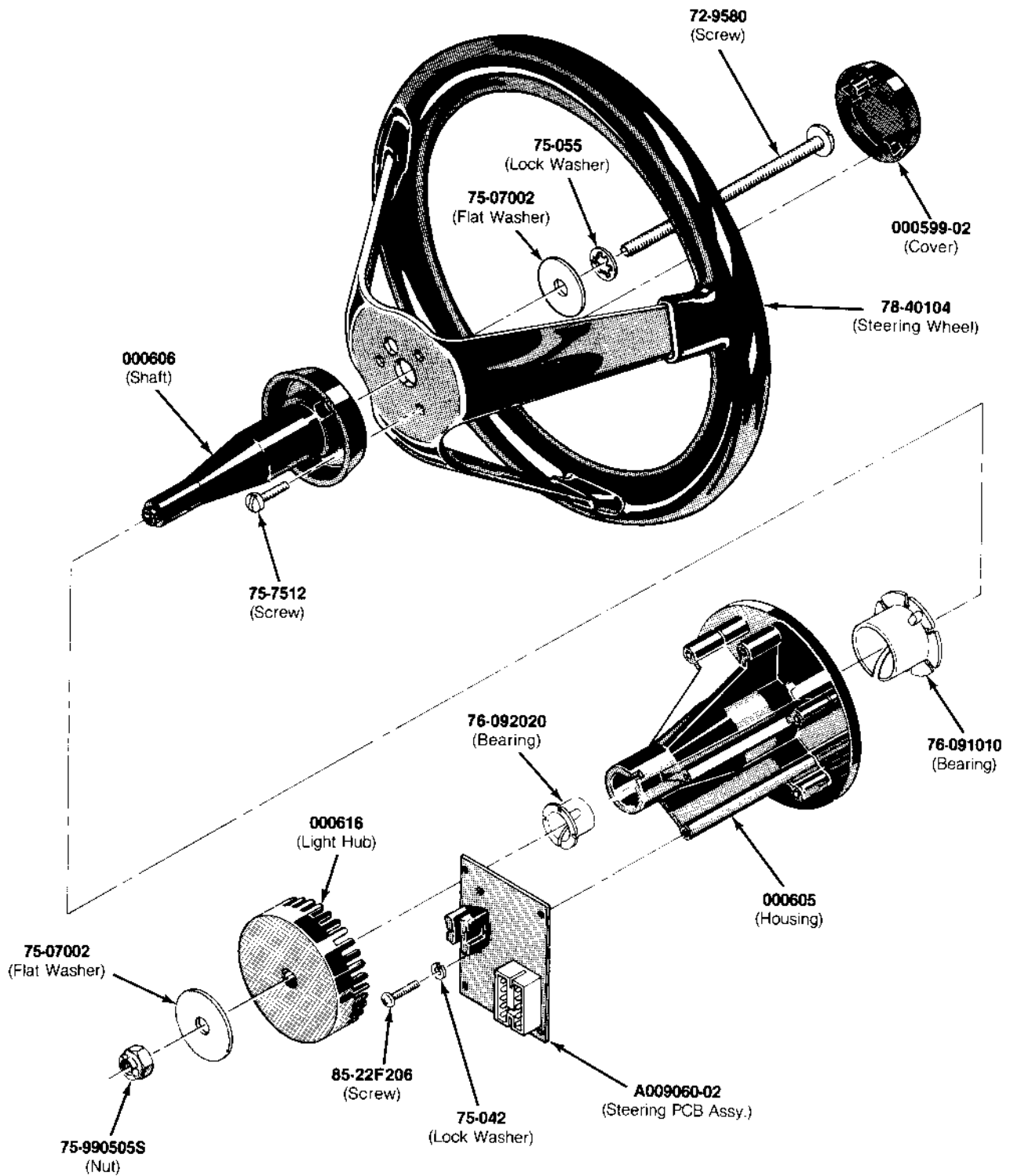
75-944S
(Hex Nut)

75-046
(Lock Washer)

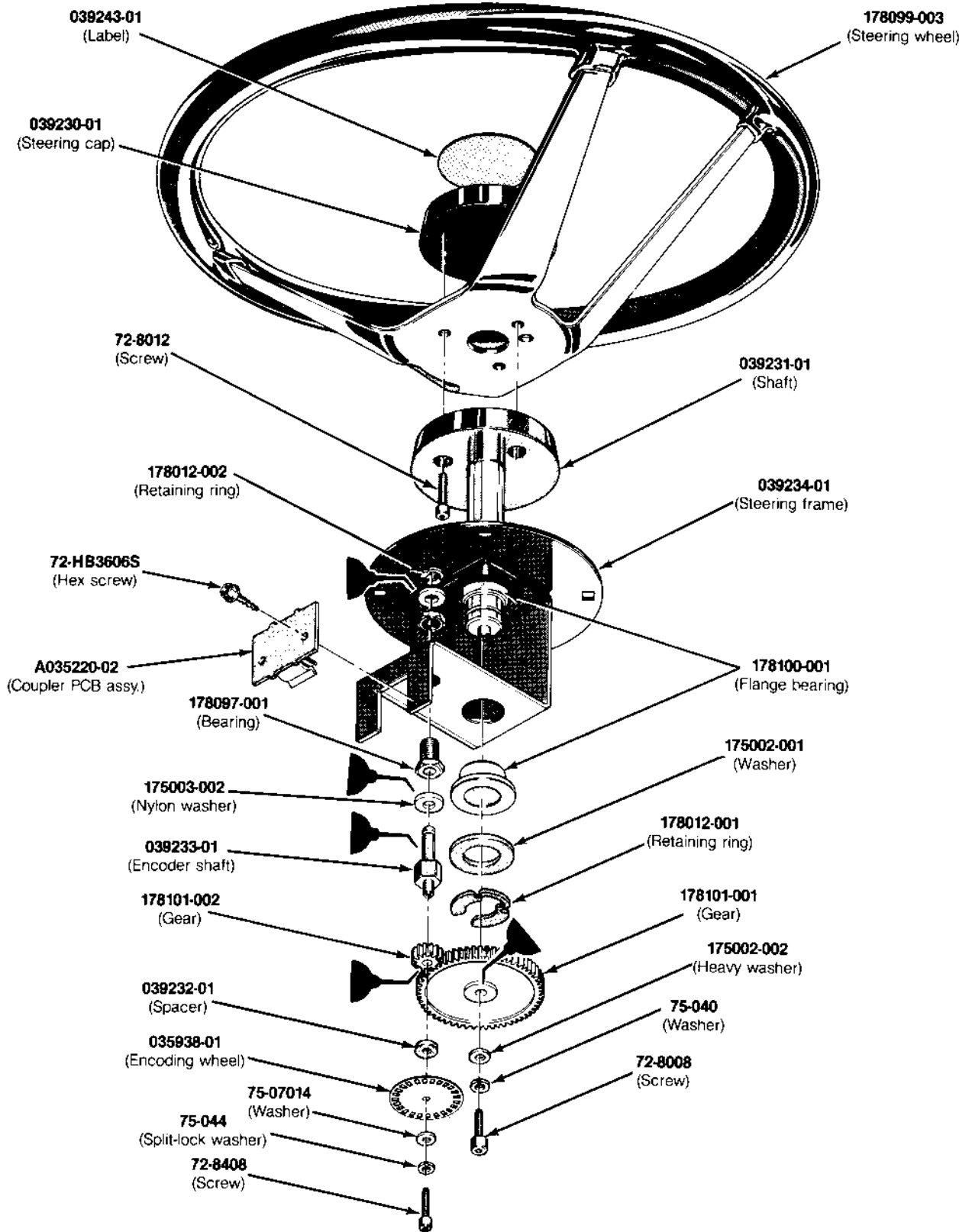
72-1412S
(Screw)

85-22F608
(Screw)

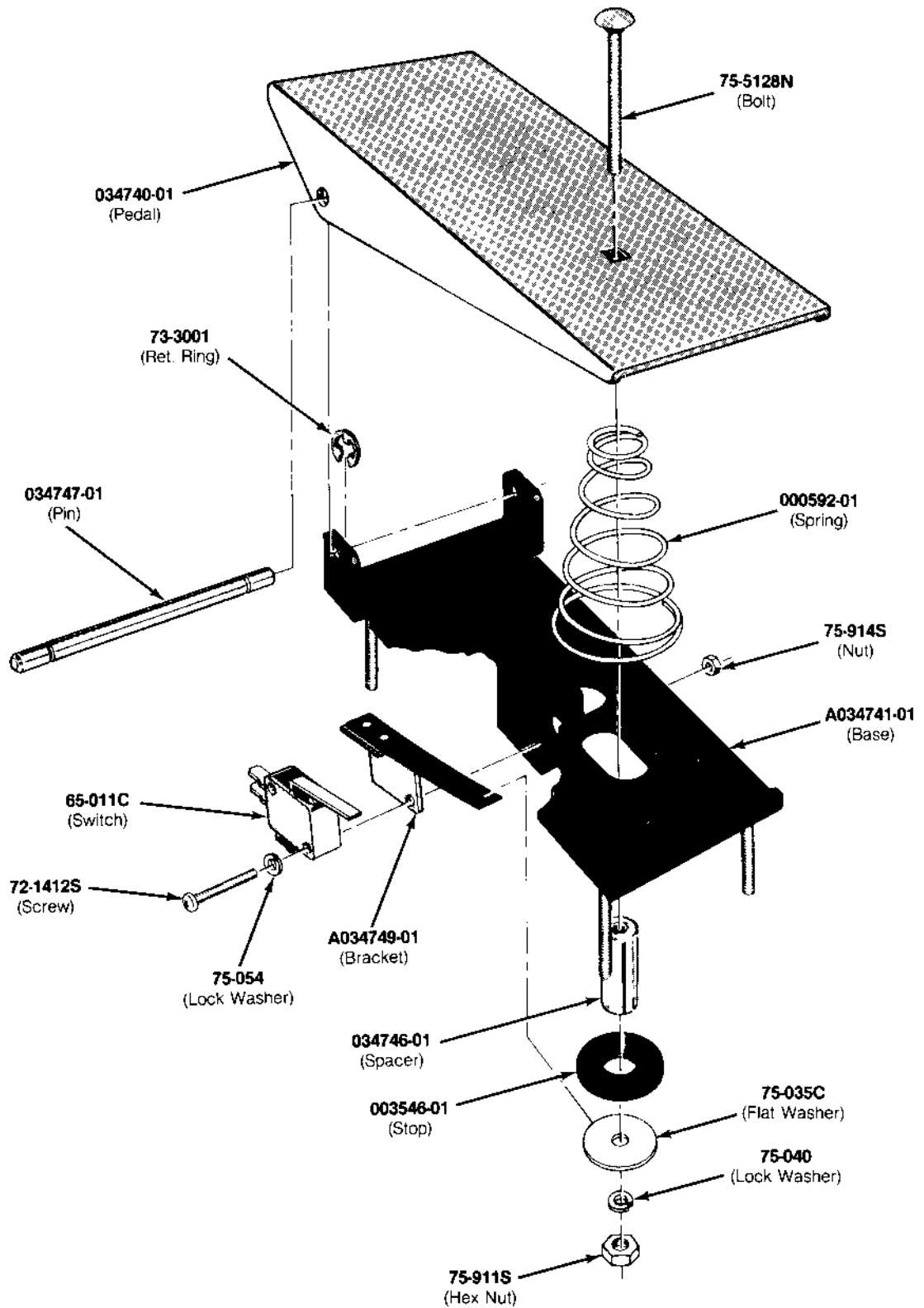
**Gear-Shifter Assembly
A000608-06 thru -10 V**



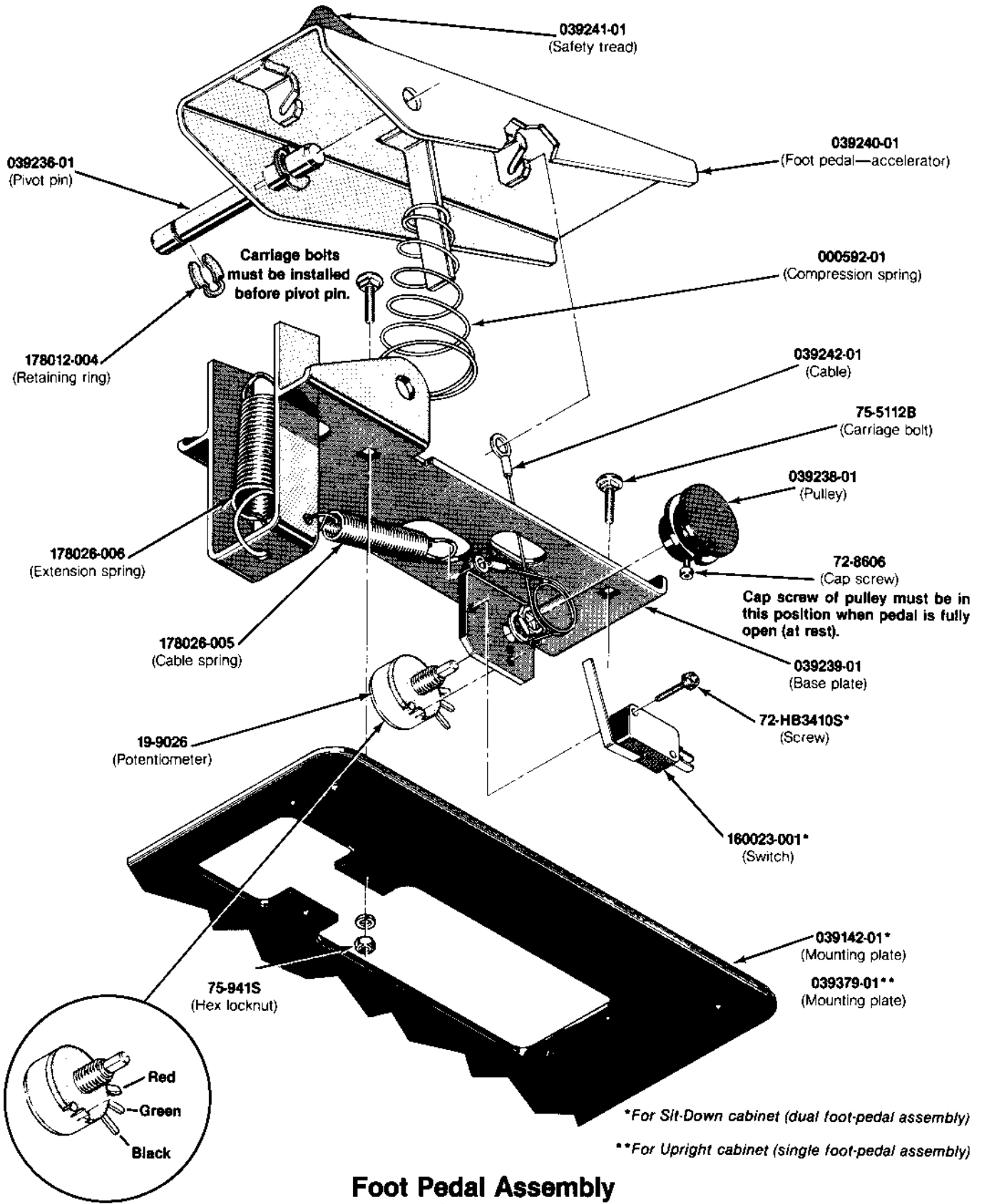
Steering Wheel Assembly
A000598-08 U



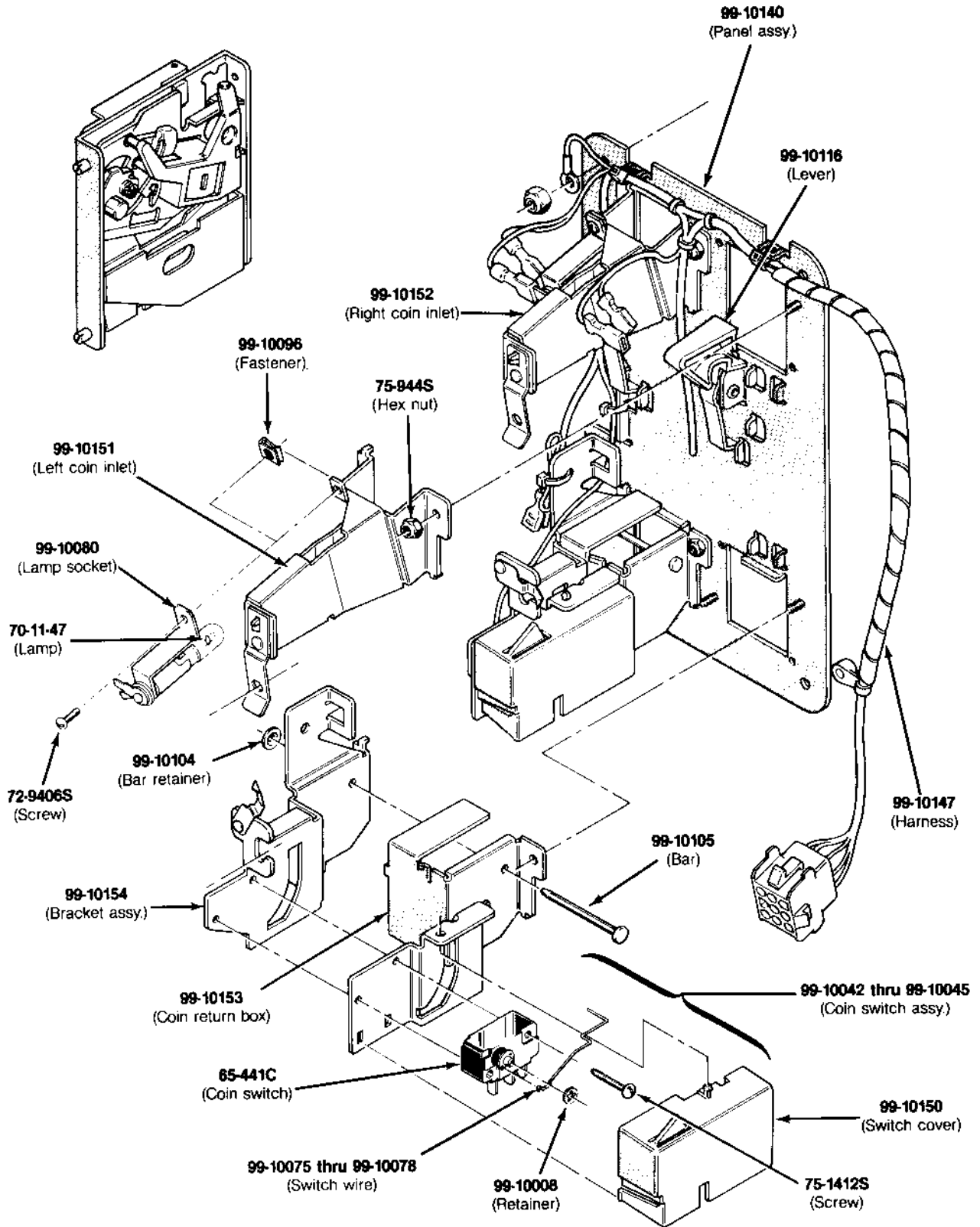
Steering-Wheel Control Assembly
A039229-01 C



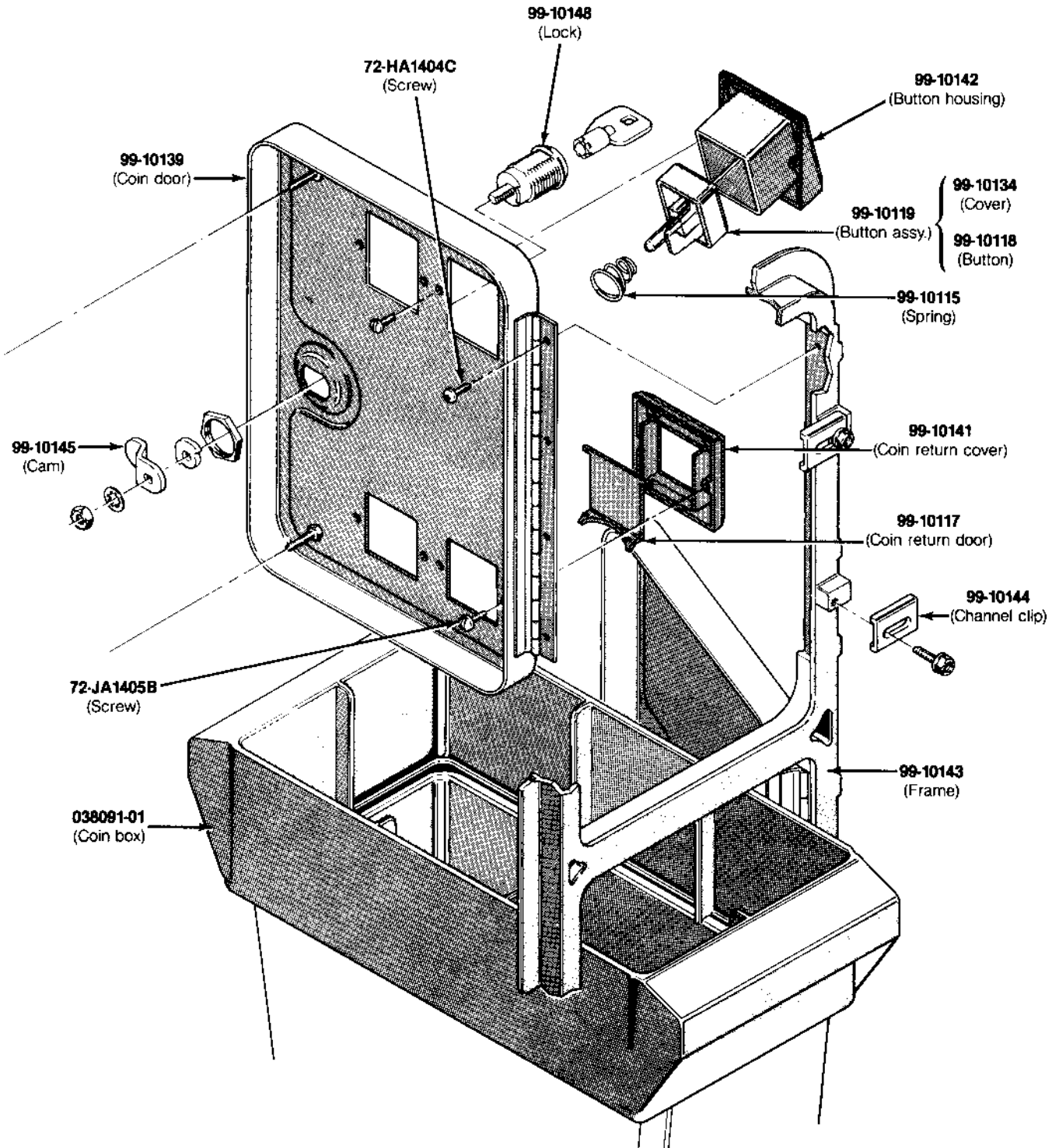
**Foot Pedal Control
A034748-01 A**



**Foot Pedal Assembly
Dual A039109-01 A
Single A039413-01**



**American-Made Vertically Mounted Coin Door
171027-001 A**

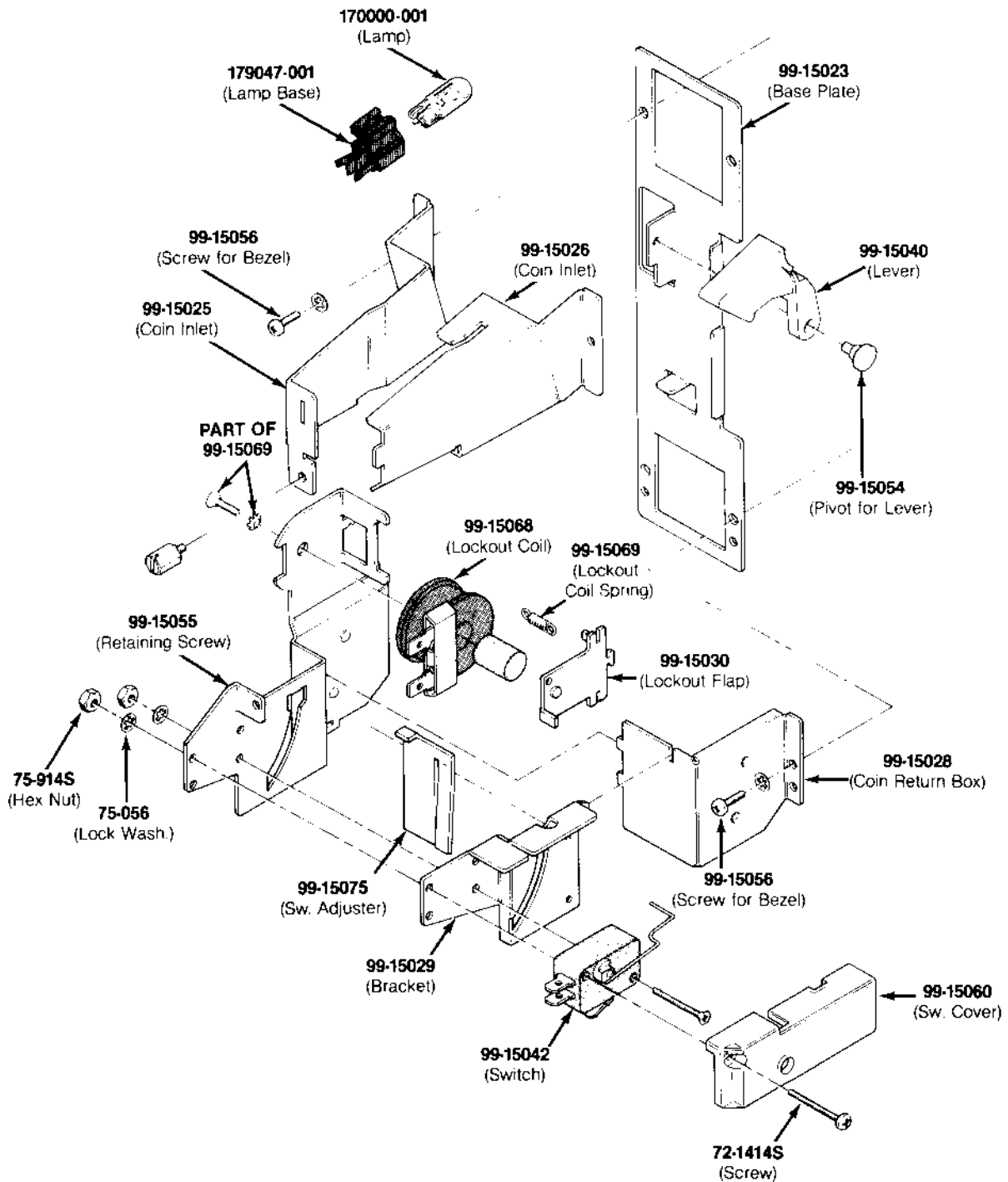


A037619-01 — U.S. 25¢/25¢ Coin Door
 A037619-02 — U.S. 50¢/50¢ Coin Door
 A037619-03 — Canadian 25¢/25¢ Coin Door
 A037619-04 — British 10 P/10 P Coin Door
 A037619-05 — British 10 P/50 P Coin Door
 A037619-06 — British 20 P/50 P Coin Door
 A037619-07 — Australian 20¢/20¢ Coin Door

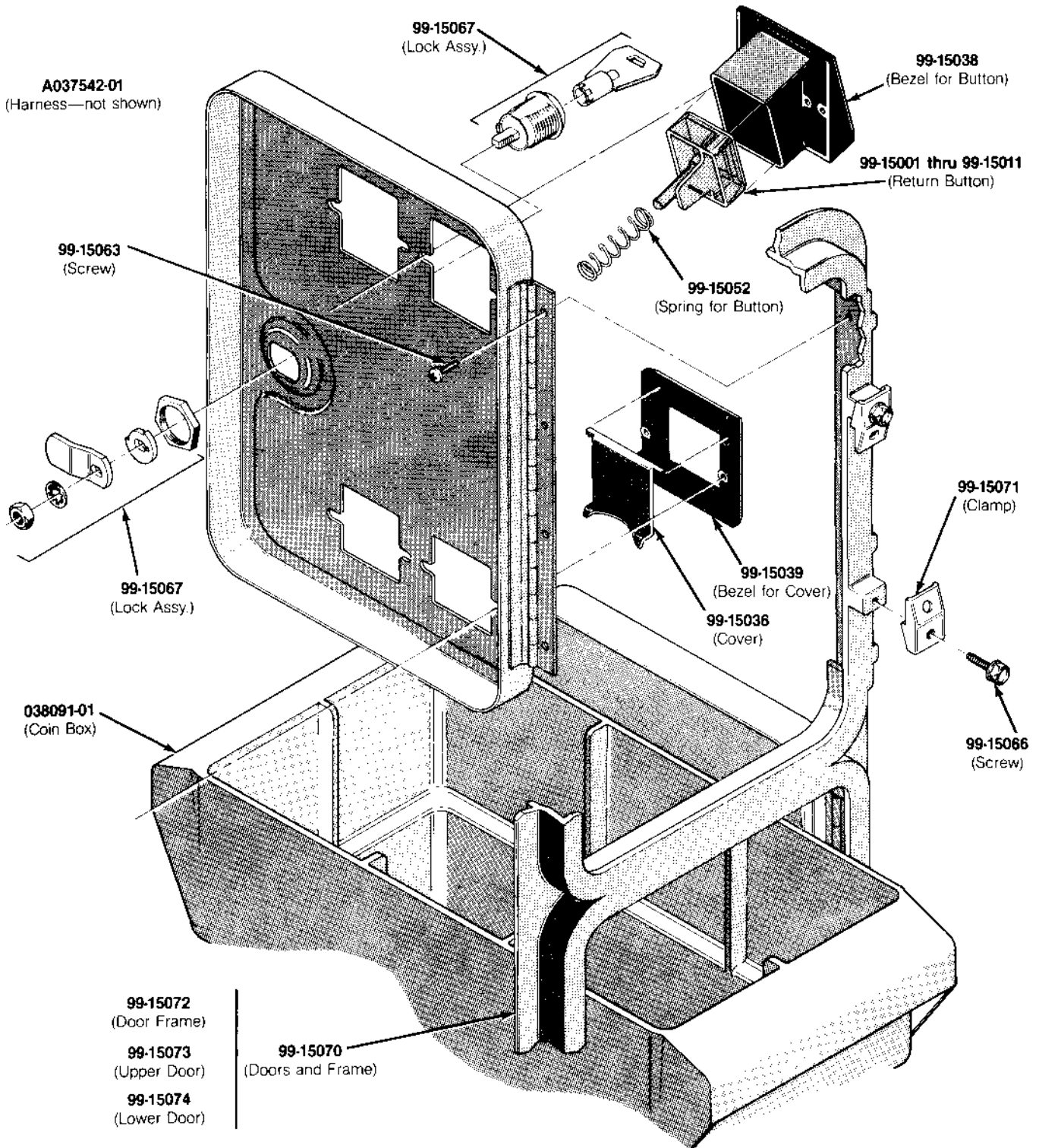
A037619-08 — German 1 DM/1 DM Coin Door
 A037619-09 — German 2 DM/1 DM Coin Door
 A037619-10 — German 2 DM/5 DM Coin Door
 A037619-11 — German 1 DM/5 DM Coin Door
 A037619-12 — 5 Fr/5 Fr Coin Door
 A037619-13 — Swiss 1 Fr/1 Fr Coin Door
 A037619-14 — French 1 Fr/1 Fr Coin Door

A037619-15 — French 2 Fr/1 Fr Coin Door
 A037619-16 — Swedish 1 Kr/1 Kr Coin Door
 A037619-17 — Spanish 25 Pts/25 Pts Coin Door
 A037619-18 — Italian 100 L/100 L Coin Door
 A037619-19 — Hong Kong \$1/\$1 Coin Door
 A037619-20 — Japanese 100Y/100Y Coin Door

American-Made Vertically Mounted Coin Door, continued
 171027-001 A



**British-Made Vertically Mounted Coin Door
A037619-xx D**

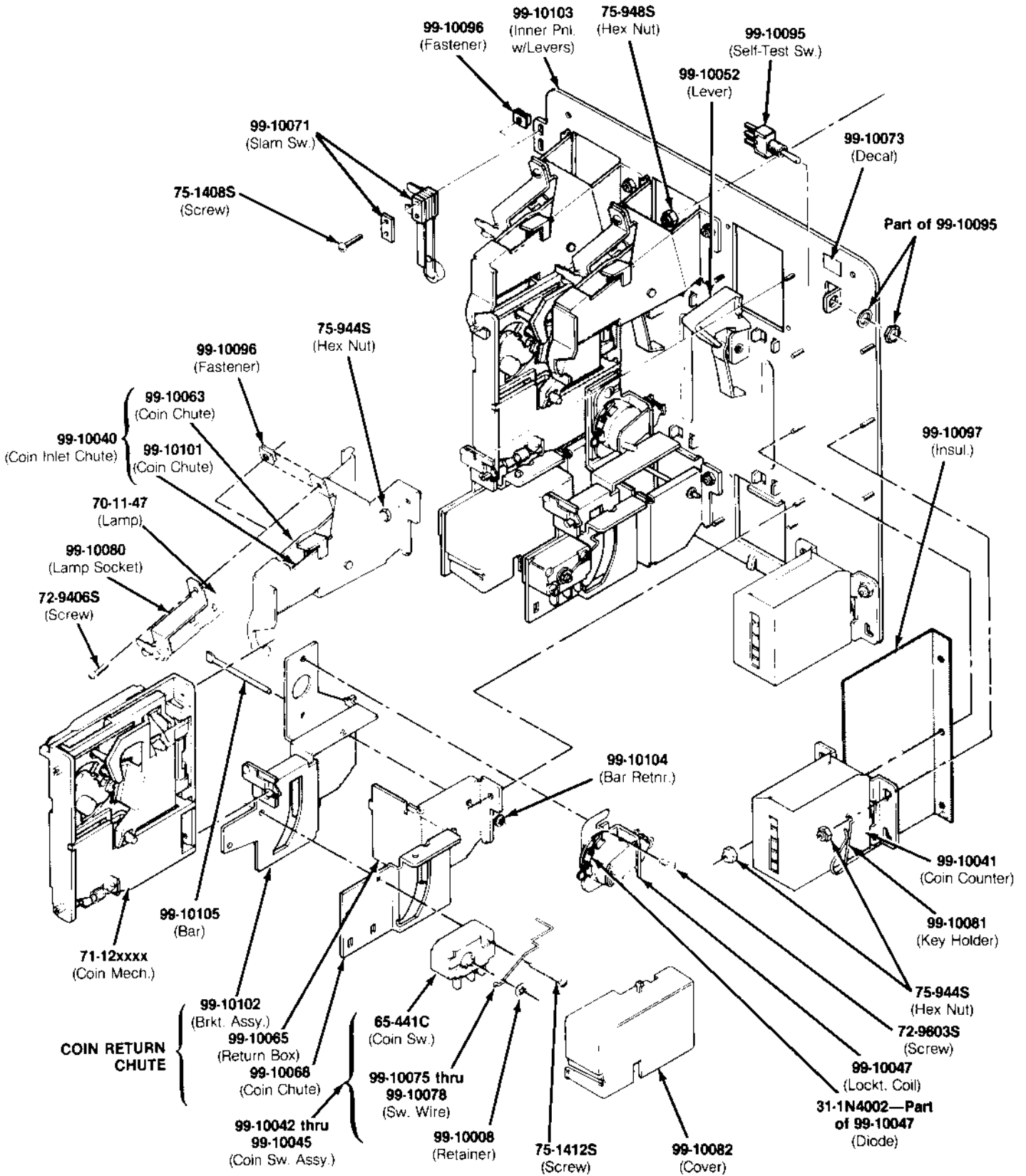


- A037619-01 — U.S. 25¢/25¢ Coin Door
- A037619-02 — U.S. 50¢/50¢ Coin Door
- A037619-03 — Canadian 25¢/25¢ Coin Door
- A037619-04 — British 10 P/10 P Coin Door
- A037619-05 — British 10 P/50 P Coin Door
- A037619-06 — British 20 P/50 P Coin Door
- A037619-07 — Australian 20¢/20¢ Coin Door

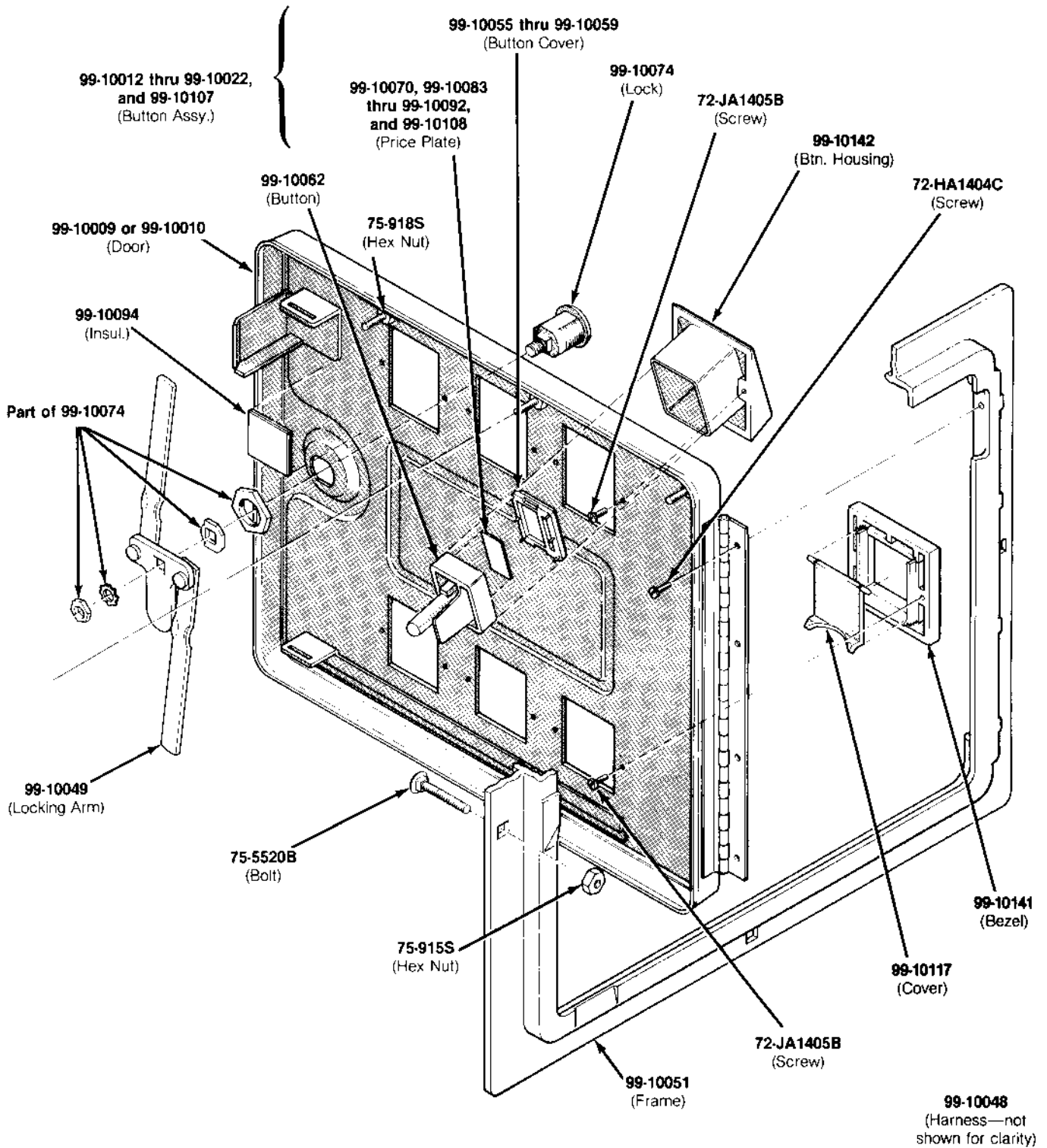
- A037619-08 — German 1 DM/1 DM Coin Door
- A037619-09 — German 2 DM/1 DM Coin Door
- A037619-10 — German 2 DM/5 DM Coin Door
- A037619-11 — German 1 DM/5 DM Coin Door
- A037619-12 — 5 Fr/5 Fr Coin Door
- A037619-13 — Swiss 1 Fr/1 Fr Coin Door
- A037619-14 — French 1 Fr/1 Fr Coin Door

- A037619-15 — French 2 Fr/1 Fr Coin Door
- A037619-16 — Swedish 1 Kr/1 Kr Coin Door
- A037619-17 — Spanish 25 Pts/25 Pts Coin Door
- A037619-18 — Italian 100 L/100 L Coin Door
- A037619-19 — Hong Kong \$1/\$1 Coin Door
- A037619-20 — Japanese 100Y/100Y Coin Door

British-Made Vertically Mounted Coin Door, continued
A037619-xx D



**American-Made Coin Door
71-10xxxx D**

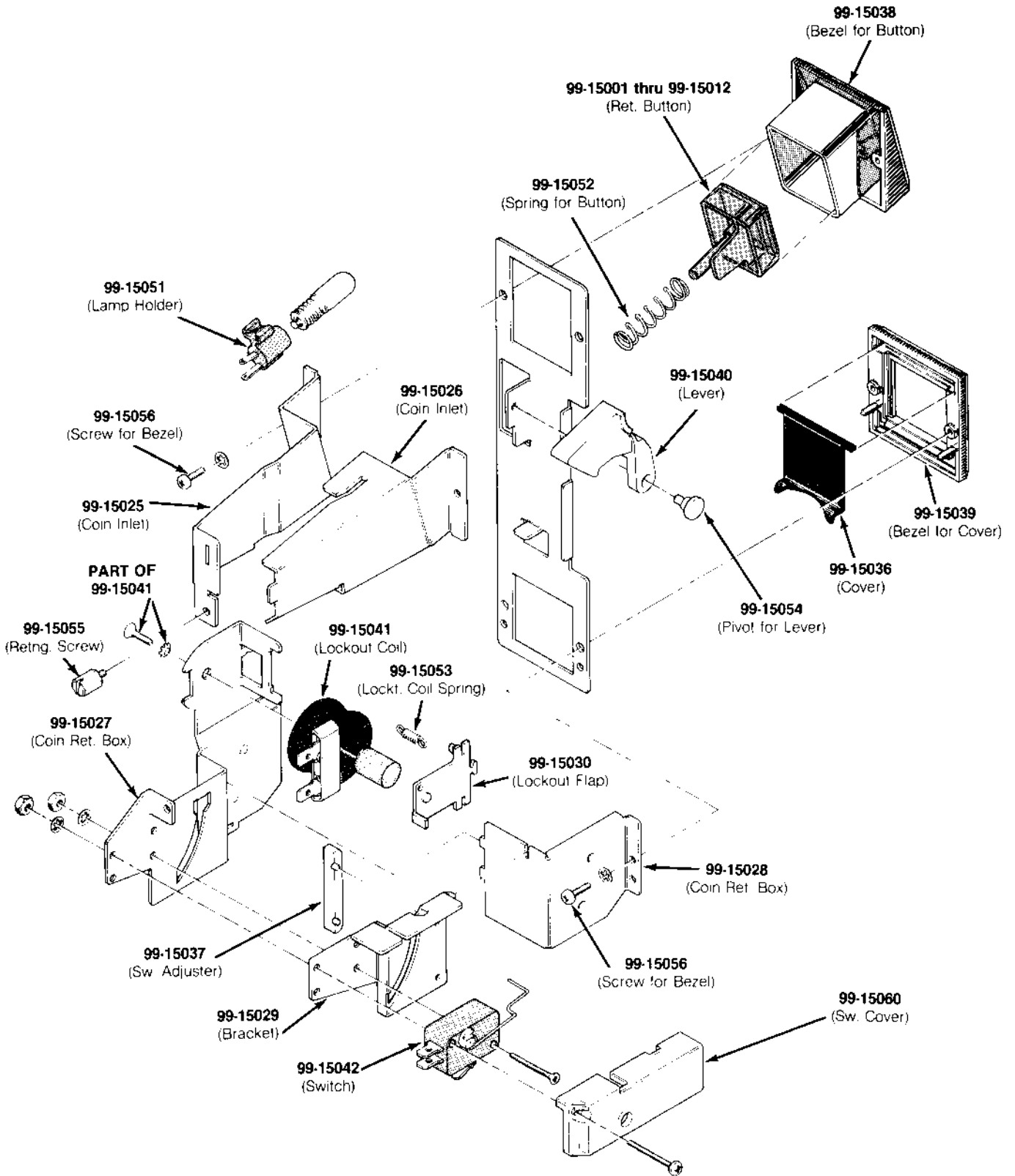


- 71-102201 — U.S. 25¢/25¢ Coin Door
- 71-103202 — U.S. 25¢/25¢/25¢ Coin Door
- 71-103203 — U.S. 25¢/25¢/\$1 Coin Door
- 71-102204 — German 2 DM/1 DM Coin Door
- 71-103205 — German 1/2/5 DM Coin Door

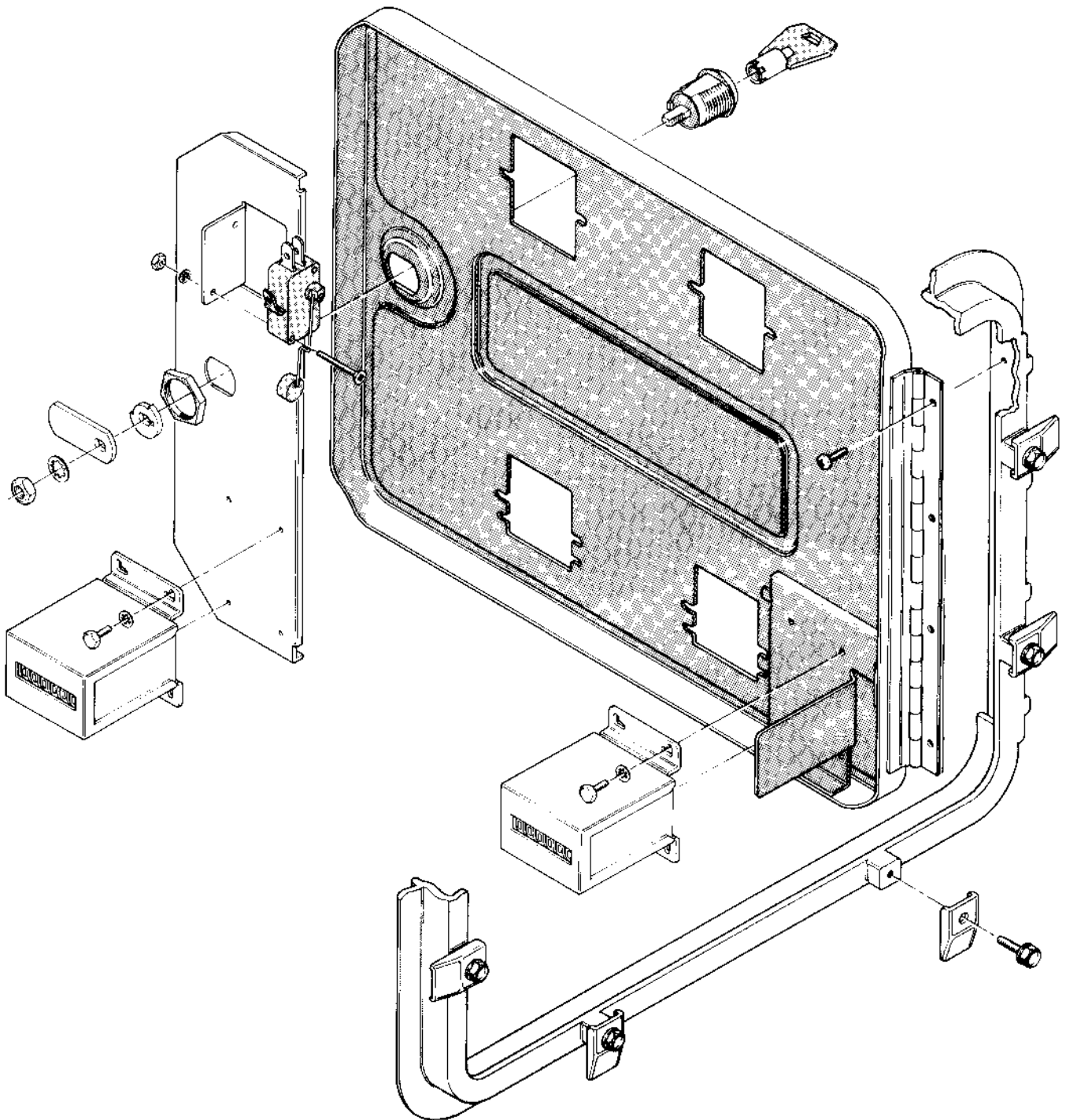
- 71-102206 — German 1 DM/5 DM Coin Door
- 71-102207 — Belgian 5 Fr/5 Fr Coin Door
- 71-102208 — Swiss 1 Fr/1 Fr Coin Door
- 71-102209 — Japanese 100Y/100Y Coin Door
- 71-102210 — British 10 P/10 P Coin Door

- 71-102211 — Australian 20¢/20¢ Coin Door
- 71-102212 — Italian 100 L/100 L Coin Door
- 71-102213 — U.S. 50¢/50¢ (2 × 25¢) Coin Door
- 71-103214 — U.S. 50¢/50¢/50¢ Coin Door
- 71-103215 — U.S. 50¢/50¢/\$1 Coin Door

American-Made Coin Door
71-10xxxx D



**British-Made Coin Door
171001-xxx A**



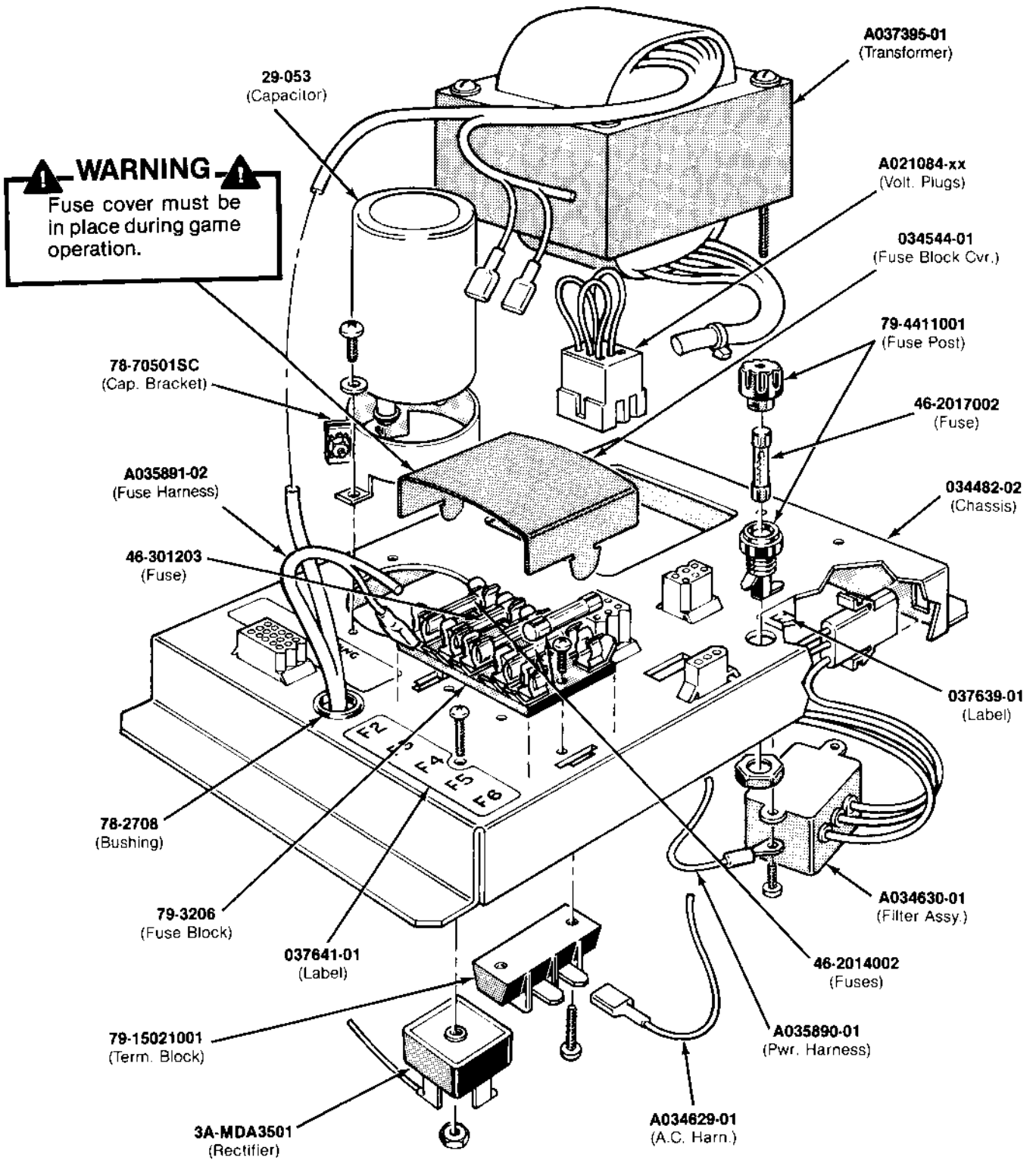
All parts listed below that start with 171000- should now be 171001-.

- 171001-001 — British 10 P/10 P Coin Door
- 171000-002 — British 10 P/50 P Coin Door
- 171000-003 — British 20 P/50 P Coin Door
- 171000-004 — German 1 DM/1 DM Coin Door
- 171000-005 — German 2 DM/1 DM Coin Door

- 171000-006 — German 2 DM/5 DM Coin Door
- 171000-007 — Belgian 5 Fr/5 Fr Coin Door
- 171000-008 — French 1 Fr/1 Fr Coin Door
- 171000-009 — French 2 Fr/1 Fr Coin Door
- 171000-010 — Swedish 1 Kr/1 Kr Coin Door

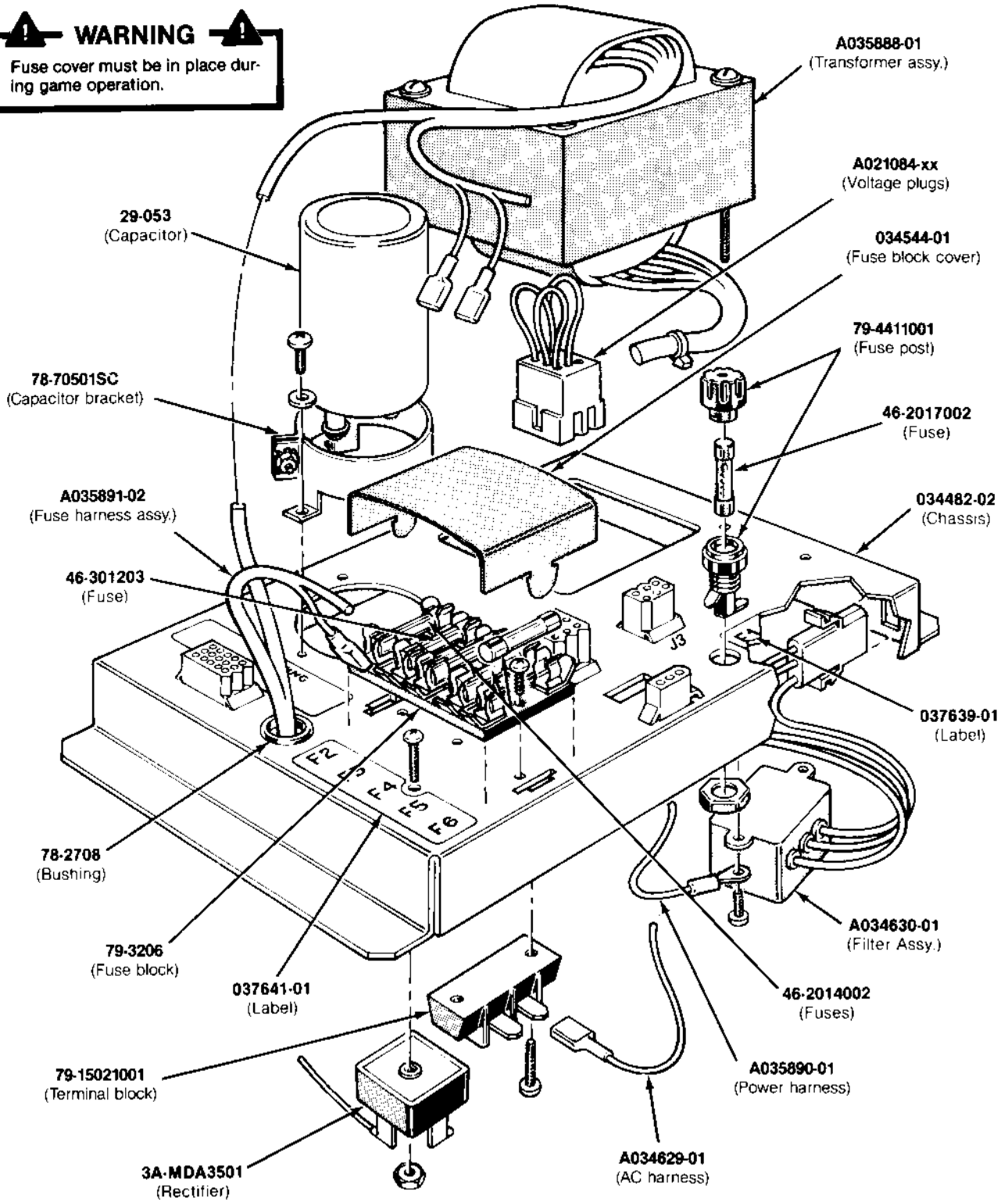
- 171000-011 — Hong Kong \$1/\$1 Coin Door
- 171000-012 — Canadian 25¢/25¢ Coin Door
- 171000-013 — U.S. 25¢/25¢ Coin Door
- 171000-014 — Spanish 25 Ptas/25 Ptas Coin Door
- 171000-015 — Swiss 1 Fr/1 Fr Coin Door

British-Made Coin Door
171001-xxx A



**Color X-Y Power Supply Assembly
A037396-xx B**

WARNING
Fuse cover must be in place during game operation.



**Color-Raster Power Supply Assembly
A037671-01 & -02 E**