

# SERVICE TIPS

FAST AID HOT LINE: 800-323-0666  
EXCEPT ILLINOIS: 312-981-1000 Ext. 215  
TELEX: 253290



83-3

- MANDATORY
- ON FAILURE ONLY
- FOR YOUR INFORMATION

ATTN: SERVICE MANAGER

GAME: FRONT LINE

SUBJECT: RIBBON CABLE PART NUMBERS

SOLUTION: THE FOLLOWING IS THE PART NUMBER FOR THE RIBBON CABLE THAT IS BETWEEN THE CPU BOARD AND THE ROM BOARD. THIS CABLE IS A NON-STANDARD TYPE OF CABLE.

PROCEDURE: 40 PIN RIBBON CABLE           PART # L5000001A

50 PIN RIBBON CABLE           PART # 99-AAS00262

# SERVICE TIPS

FAST AID HOT LINE: 800-323-0666  
EXCEPT ILLINOIS: 312-981-1000 Ext. 215  
TELEX: 253290



- MANDATORY
- ON FAILURE ONLY
- FOR YOUR INFORMATION

83-4

ATTN: SERVICE MANAGERS

GAME: ALPINE SKI, WILD WESTERN, JUNGLE HUNT, FRONT LINE.

SUBJECT: CONVERTING GAME FROM TWO COIN METERS TO ONE COIN METER.

SOLUTION: BY FOLLOWING THIS PROCEDURE, BOTH COIN SWITCHES  
WILL RECORD ON ONE COIN COUNTER.

PARTS NEEDED: NONE

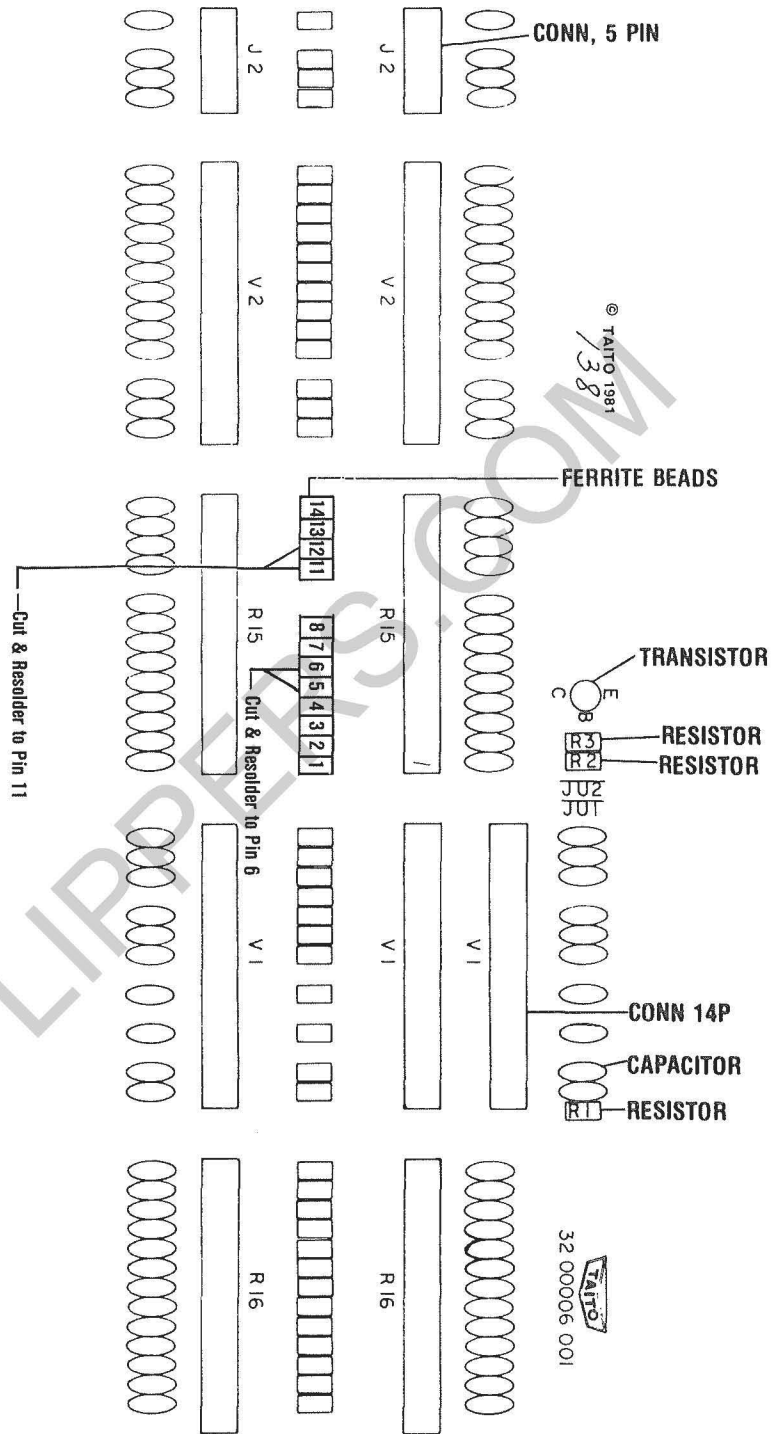
LOCATE R15 CONNECTOR ON THE FILTER BOARD. YOU WILL NOTICE THAT THERE ARE FERRITE BEADS BETWEEN THE TWO R15 JACKS ON THE BOARD. THERE IS A FERRITE BEAD (OR PLACE FOR A FERRITE BEAD) FOR EACH PIN ON THE CONNECTOR. (REFER TO FIGURE 1) PIN 1 IS ON THE RIGHT SIDE OF THE CONNECTOR.

UNSOLDER THE BOTTOM LEAD OF THE FERRITE BEAD ASSY TO PIN 5 AND THE BOTTOM LEAD OF THE FERRITE BEAD ASSY TO PIN 12 (AS SHOWN IN FIGURE 1). SOLDER THE LEAD YOU JUST UNSOLDERED ON PIN 5 TO THE BOTTOM LEAD ON THE FERRITE BEAD PIN 6. SOLDER THE LEAD FROM THE FERRITE BEAD FOR PIN 12 TO THE BOTTOM OF THE FERRITE BEAD PIN 11.

TURN DIP SWITCH C, SWITCH #8 ON.

# FILTER BOARD

FIGURE 1



# SERVICE TIPS

FAST AID HOT LINE: 800-323-0666  
EXCEPT ILLINOIS: 312-981-1000 Ext. 215  
TELEX: 253290



- MANDATORY
- ON FAILURE ONLY
- FOR YOUR INFORMATION

83-5

ATTN: SERVICE MANAGERS

GAMES: ALPINE SKI, WILD WESTERN, JUNGLE HUNT, FRONTLINE, QIX, KRAM,  
SPACE DOUNGEON, ELECTRIC YO-YO (GAMES WITH AMERICAN POWER  
SUPPLY)

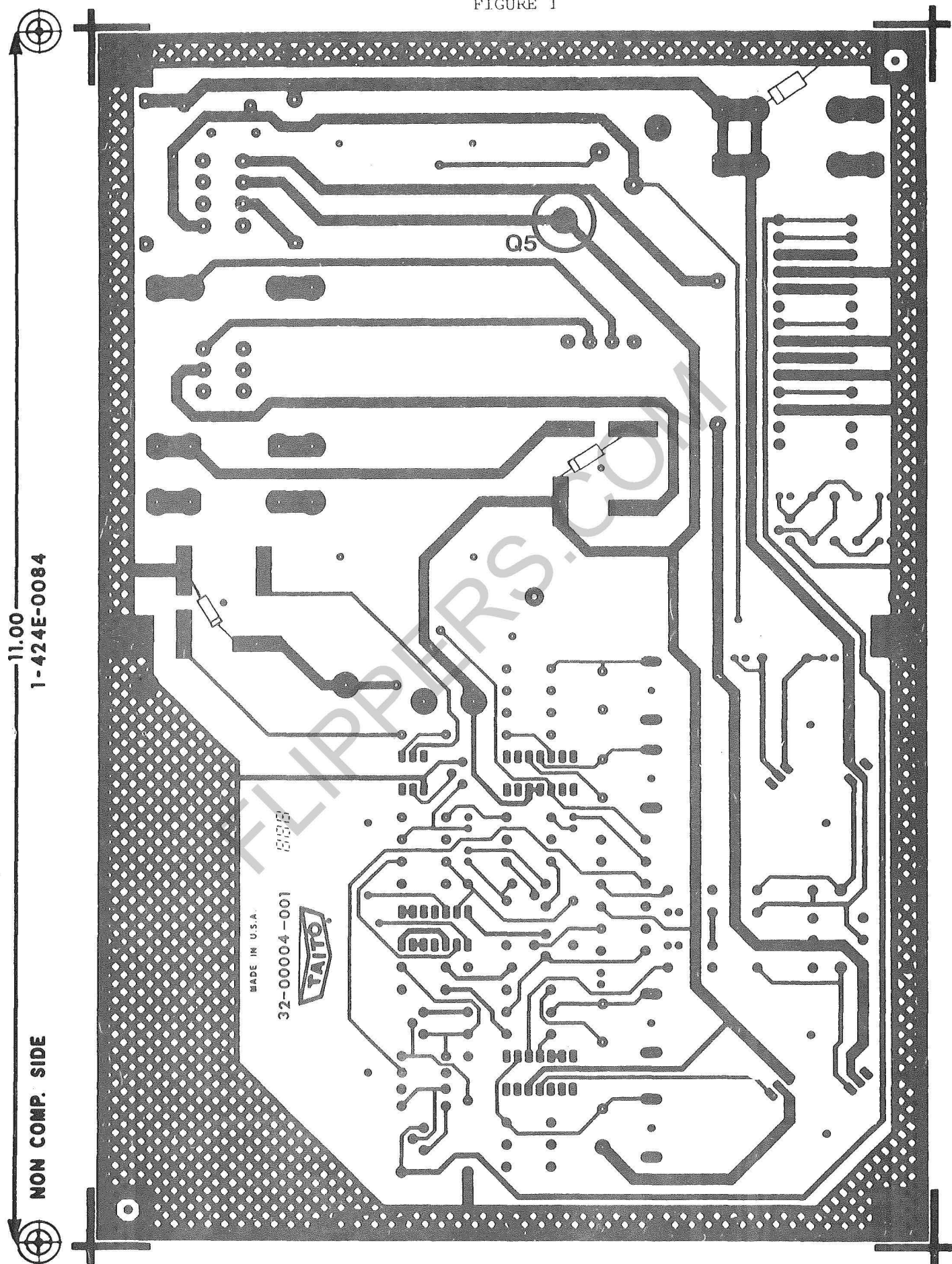
SUBJECT: POWER SUPPLY +5 VOLT PROBLEMS

SOLUTION: IMPROVE Q5'S CONNECTION ON POWER SUPPLY

PARTS NEEDED: NONE

PROCEDURE: REMOVE THE TWO NUTS AND BOLTS HOLDING DOWN Q5. ON THE ETCH  
SIDE OF THE BOARD (REFER TO FIGURE 1), SCRAPE THE GREEN SOLDER  
RESIST OVER THE FOIL AROUND THE SCREW PAD FOR Q5. WET THE  
PAD WITH SOLDER TO MAKE SURE THAT ALL SOLDER RESIST MATERIAL  
IS REMOVED. REPLACE NUTS AND BOLTS FOR Q5.

FIGURE 1



# SERVICE TIPS

FAST AID HOT LINE: 800-323-0666  
EXCEPT ILLINOIS: 312-981-1000 Ext. 215  
TELEX: 253290



- MANDATORY
- ON FAILURE ONLY
- FOR YOUR INFORMATION

83-6

ATTN: SERVICE MANAGERS

GAMES: ALPINE SKI, WILD WESTERN, JUNGLE HUNT, FRONTLINE, QIX, KRAM,  
SPACE DUNGEON, AND THE ELECTRIC YO-YO

SUBJECT: COIN DOOR CABLE CAN GET PINCHED IN COIN DOOR FRAME.

SOLUTION: RE-ROUTING OF COIN DOOR CABLING AND ITS HARNESS AS FOLLOWS:

PARTS NEEDED: 1. PLASTIC CABLE CLAMP, TAITO PART # 59-00004-004  
2. PLASTIC CABLE TIE, TAITO PART # 59-00003-001

DISPOSITION OF OLD PARTS: SCRAP

- PROCEDURE:
1. RE-ROUTE COIN DOOR HARNESS AS FOLLOWS:
    - A. UNLOCK AND OPEN COIN DOOR.
    - B. UNLATCH AND REMOVE GAME CONTROL PANEL.
    - C. REMOVE SECOND CABLE CLAMP ON THE LEFT OF THE HARNESS THAT RUNS ABOVE THE COIN DOOR.
    - D. IF THERE ARE ANY EXTRA LOOSE WIRES ON THE HARNESS NOW FREE, USE 4" TIE-WRAP (59-00003-001) TO BIND THEM TO THE HARNESS.
    - E. UNPLUG MOLDED CONNECTOR TO COIN DOOR.
    - F. REMOVE CABLE CLAMP HOLDING POWER INTERLOCK WIRING, AND REINSTALL AROUND THE HARNESS THAT IS NOW FREE.
  2. RE-ROUTE CABLE ON COIN DOOR AS FOLLOWS: (SEE FIG. 1 )
    - A. SNIP WIRE TIE THAT HOLDS FLEXIBLE CABLE TO COIN DOOR (ABOVE SERVICE SWITCH BRACKET).

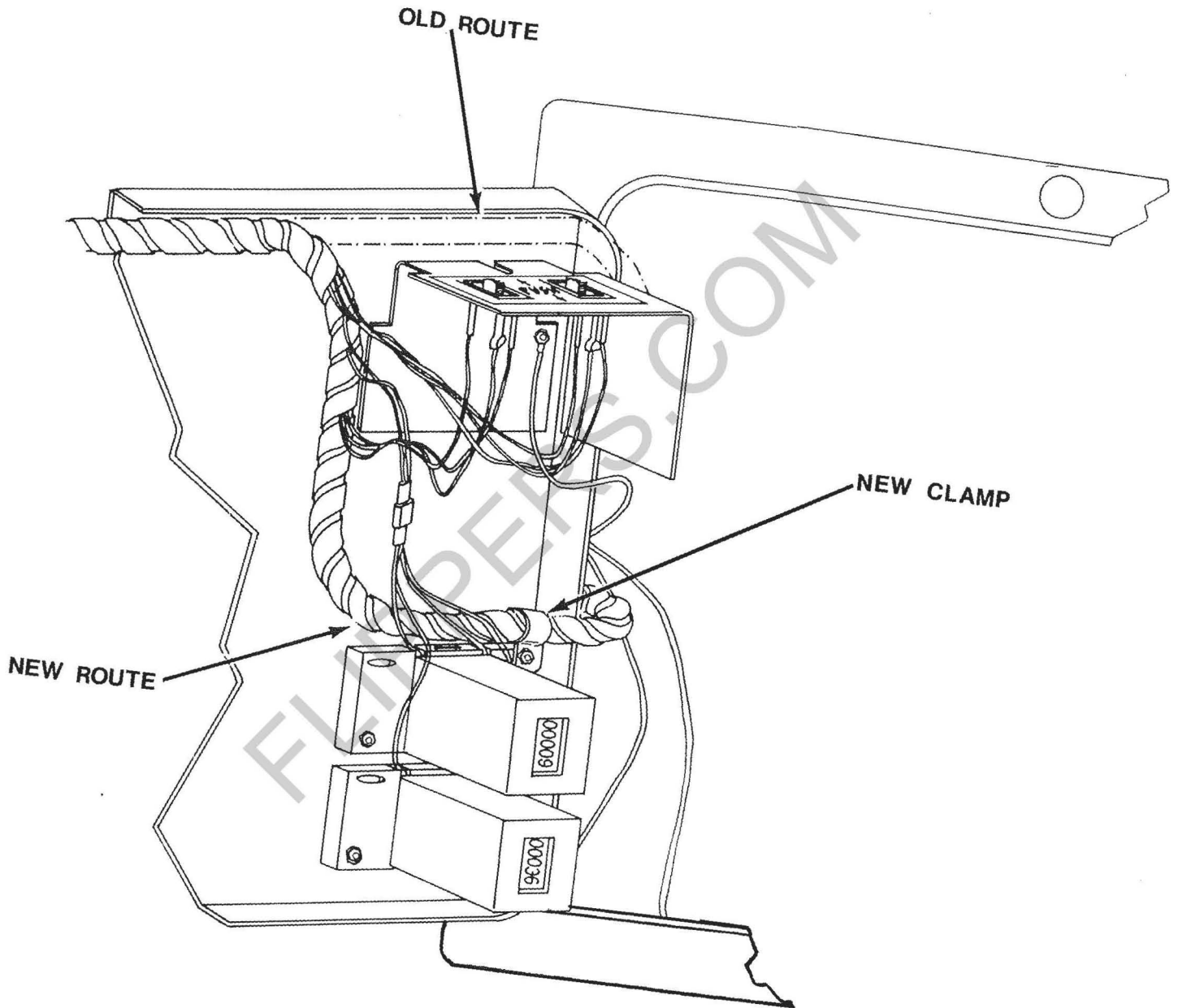
TAITO AMERICA CORPORATION  
1256 Estes Ave., Elk Grove Village, IL 60007

- B. RE-ROUTE CABLE TO THE LEFT OF AND UNDER THE SERVICE SWITCH BRACKET.
  - C. REMOVE UPPER RIGHT NUT FROM THE TOP COIN COUNTER.
  - D. REINSTALL NUT TRAPPING SMALL CABLE CLAMP (59-00004-004) AROUND COIN DOOR CABLE ON COIN COUNTER SO THE CABLE IS NOW POSITIONED HALF-WAY DOWN THE COIN DOOR HINGE.
3. REINSTALL CABLES AS FOLLOWS: (SEE FIG. 2 )
- A. REMOVE LOWER RIGHT SCREW ON INTERLOCK ASSEMBLY COVER.
  - B. REINSTALL SCREW, ANCHORING PREVIOUSLY REMOVED CABLE CLAMP AROUND COIN DOOR CABLE.
  - C. RECONNECT MOLDED CONNENCTORS FOR COIN DOOR CABLE.
  - D. VERIFY THAT CABLE FREELY MOVES THROUGH CABLE CLAMP UNDER INTERLOCK ASSEMBLY COVER, TO PREVENT PINCHING THE CABLE.

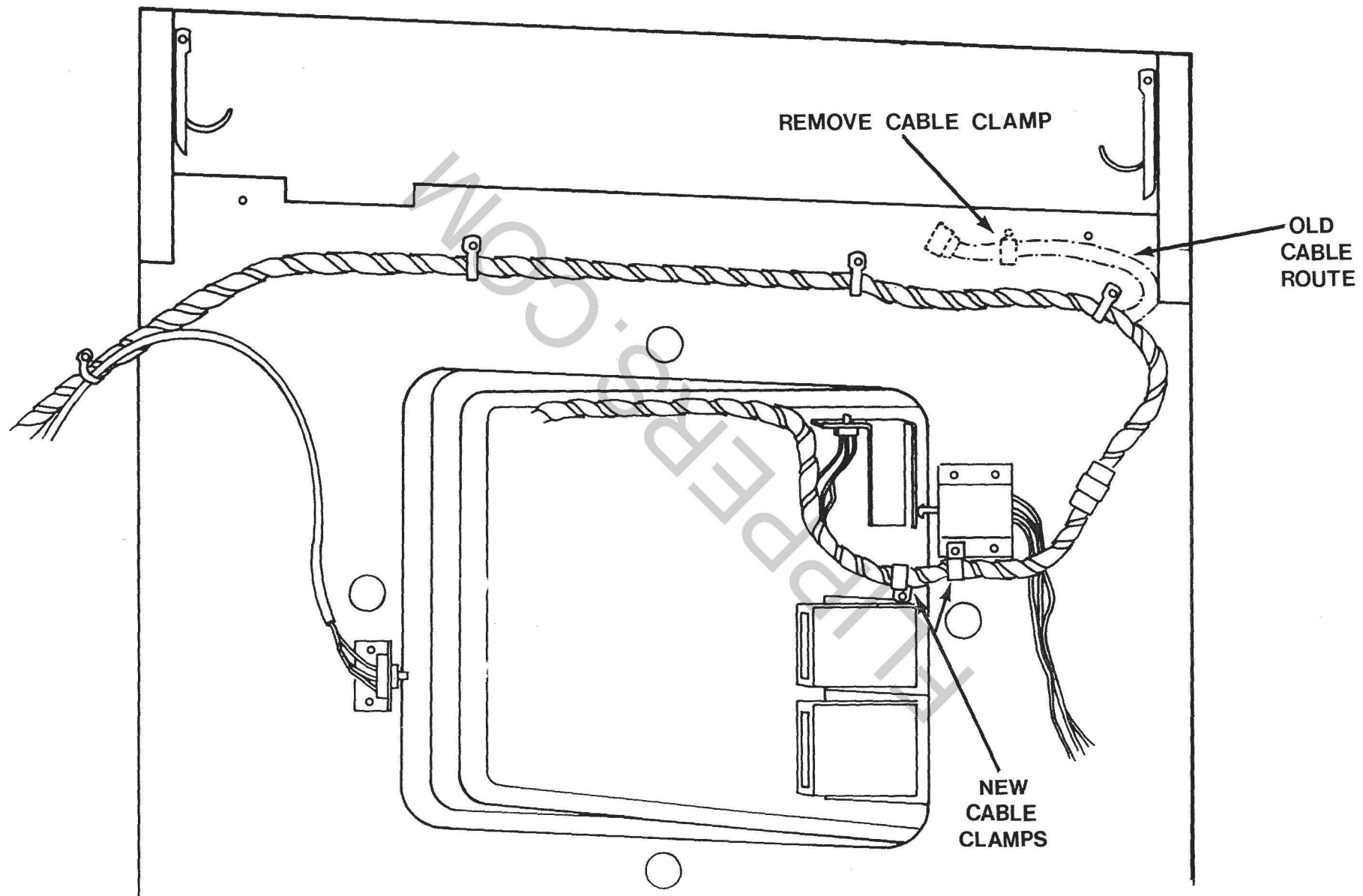
FLIPPERS.COM



FIGURE 1



**FIGURE 2**



# SERVICE TIPS

FAST AID HOT LINE: 800-323-0666  
EXCEPT ILLINOIS: 312-981-1000 Ext. 215  
TELEX: 253290



- MANDATORY
- ON FAILURE ONLY
- FOR YOUR INFORMATION

83-7

ATTN: SERVICE MANAGERS

GAMES: ALPINE SKI, WILD WESTERN, JUNGLE HUNT, FRONTLINE, QIX, KRAM,  
SPACE DOUNGEON, ELECTRIC YO-YO (GAMES WITH AMERICAN POWER  
SUPPLY)

SUBJECT: POWER SUPPLY'S +5 VOLT FAILURE TROUBLE SHOOTING HINTS

SOLUTION: WE HOPE THE FOLLOWING PROCEDURES WILL BE HELPFUL IN ISOLATING  
FAILURES IN THE +5 VOLTS CIRCUIT. THE TYPICAL SYMPTOMS INCLUDE:

- 1) BR1 GETS EXCESSIVELY HOT AFTER HEAT SINK (#30-00005-001) IS  
INSTALLED.
- 2) F1 BLOWS REPEATEDLY AFTER SEVERAL HOURS OF NORMAL OPERATION.
- 3) +5 VOLT SEEMS TO FLUCTUATE (L.E.D. 1 SEEMS TO FLICKER).
- 4) ROLLING DARK BARS ACROSS THE SCREEN VERTICALLY.

PARTS NEEDED: ON FAILURE, AS ENCOUNTERED.

PROCEDURE: SYMPTOMS 1 & 2 :

ANY TIME THAT "BR1" (BRIDGE RECTIFIER 1) IS REPLACED, THE FUSE  
HOLDER FOR F1 SHOULD BE RESOLDERED. WHEN INSTALLING A NEW BR1,  
ENSURE THERE IS AT LEAST 1/8 INCH CLEARANCE BETWEEN THE BOARD  
AND THE RECTIFIER. FAILURE TO DO SO MAY RESULT IN FURTHER F1  
AND/OR BR1 FAILURE.

NOTE: F1 AND F2 ARE 10 AMP FUSES NO MATTER WHAT IS ETCHED ON  
THE POWER SUPPLY BOARD.

THERE ARE COMPONENTS UNDER THE POWER SUPPLY THAT LOOK LIKE DIODES (REFER TO FIGURE 1 AND 2)(ON ISS. "C" OF THE POWER SUPPLY THEY ARE CALLED D13, D14, D17 AND ARE ON THE COMPONENT SIDE). THESE COMPONENTS ARE CALLED TRANSORBS. THEY ARE USED TO COMPENSATE FOR FLUCTUATING A.C. LINE VOLTAGES. MEASURING THEM OUT OF CIRCUIT, OTHER THAN CHECKING FOR SHORTS, IS USELESS. THE ONLY WAY TO TEST THEM IS TO TAKE THEM OUT OF CIRCUIT, AND THEN POWER UP THE POWER SUPPLY WITH A LOAD. IF THE VOLTAGE, AFTER ADJUSTMENT, IS CORRECT, THEN THE TRANSORB NEEDS TO BE REPLACED.

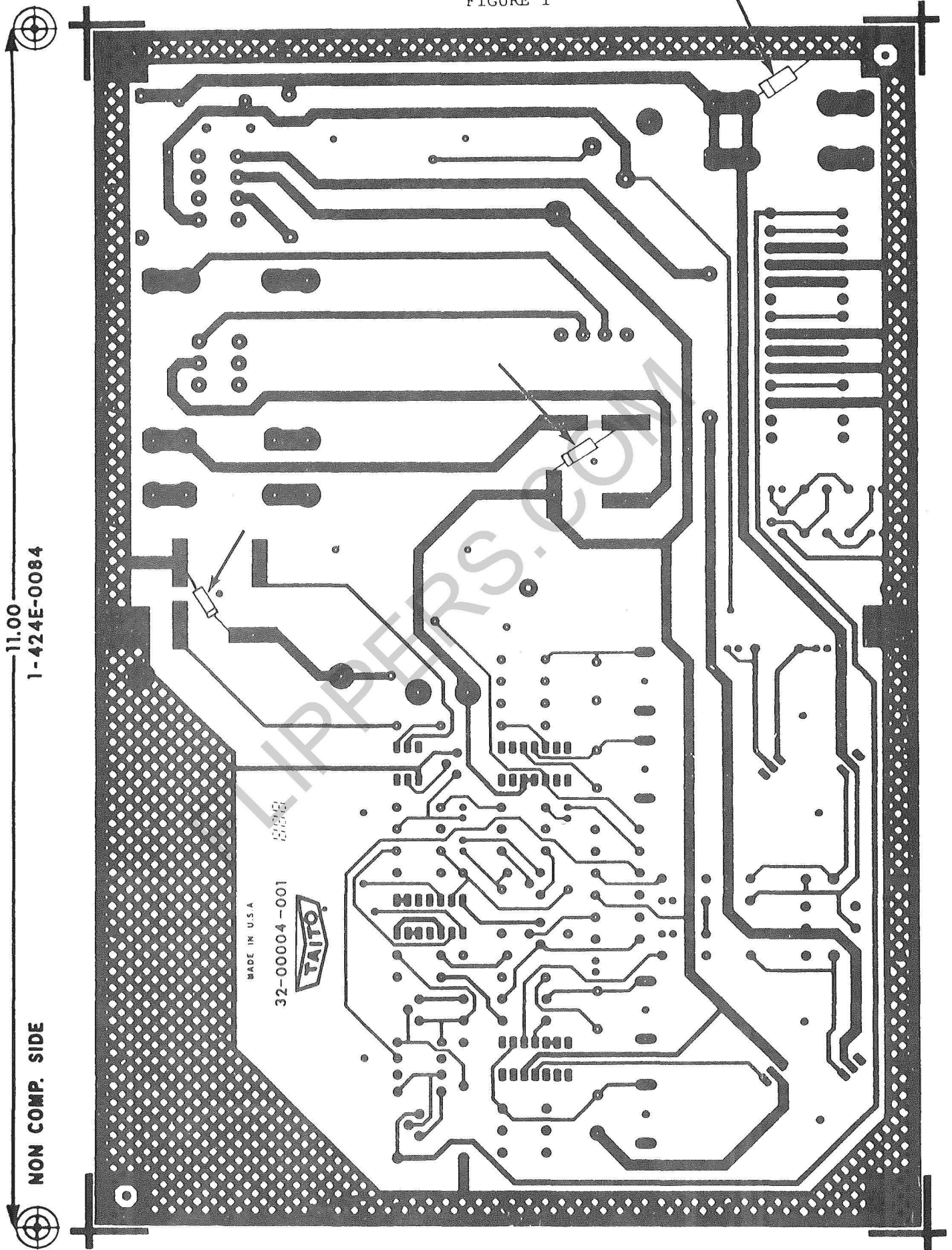
SYMPTOMS 3 & 4 :

ENSURE THAT THE SCREWS ON C7 AND C9 (REFER TO FIGURE 2) ARE TIGHT. AFTER THE SCREWS ARE TIGHT, MEASURE, WITH THE METER IN AC VOLTAGE MODE, THE OUTPUT OF +5V. THE RIPPLE SHOULD BE LESS THAN A QUARTER OF A VOLT (0.25 V). IF NOT, C7 COULD BE THE PROBLEM.

IF THE +5 VOLTS OUTPUT IS LESS THAN 0.7 VOLTS, MEASURE THE PLUS SIDE OF C7. THERE SHOULD BE AT LEAST +10 VOLTS D.C. IF IT IS LESS THAN 10 VOLTS, THEN ONE OF SIX THINGS COULD BE WRONG:

- 1) F1 IS BLOWN.
- 2) A.C. INPUT BETWEEN J1 PIN 1 & 2 IS LESS THAN 10 VOLTS AC.
- 3) BR1 IS WEAK.
- 4) THE TRANSORB FOR BR1 IS WEAK.
- 5) C8 IS SHORTED.
- 6) C7 IS SHORTED.

FIGURE 1



11.00  
1-424E-0084

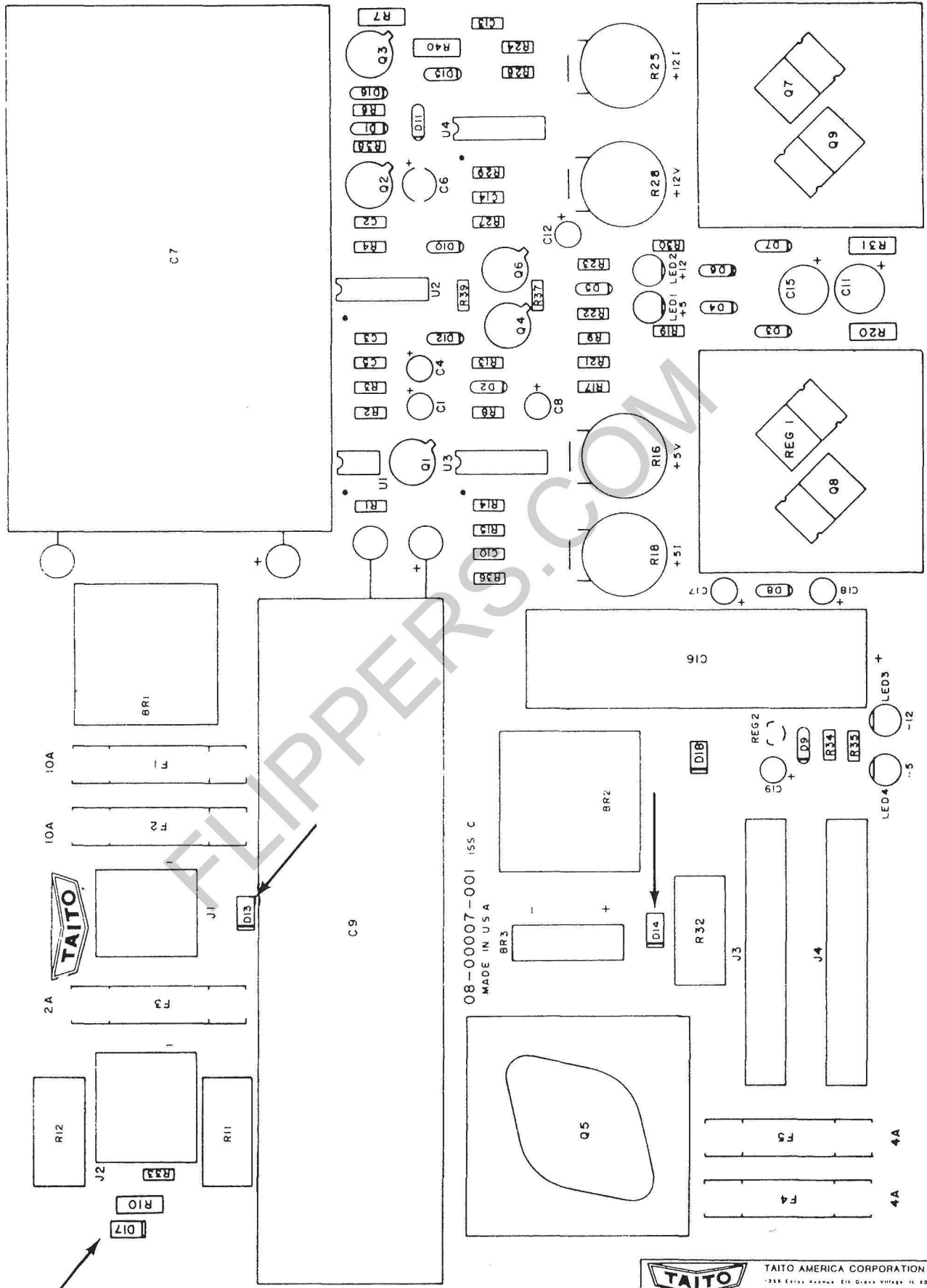
NON COMP. SIDE

MADE IN U.S.A.  
32-00004-001  
TAITO

LIBRERYS.COM

# TRANSORB POWER SUPPLY ISS.C

## FIGURE 2



08-00007-001 ISS C  
MADE IN U.S.A.

		<b>TAITO AMERICA CORPORATION</b> 258 E. 15th Avenue, Englewood, CO 80110 Telephone: (303) 687-1000 Telex: 24-3280	
ORDER INFORMATION Part No. _____ Qty. _____ Date _____	ORDER INFORMATION Order No. _____ Ship To _____ Ship Date _____	ORDER INFORMATION Sales Rep. _____ Approved By _____ Date _____	ORDER INFORMATION Order No. _____ Ship To _____ Ship Date _____
<b>FRONT LINE™</b> Power Supply Board Layout			

# SERVICE TIPS

FAST AID HOT LINE: 800-323-0666  
EXCEPT ILLINOIS: 312-981-1000 Ext. 215  
TELEX: 253290



- MANDATORY
- ON FAILURE ONLY
- FOR YOUR INFORMATION

83-8

ATTN: SERVICE MANAGERS

GAMES: ALPINE SKI, WILD WESTERN, JUNGLE HUNT, FRONTLINE

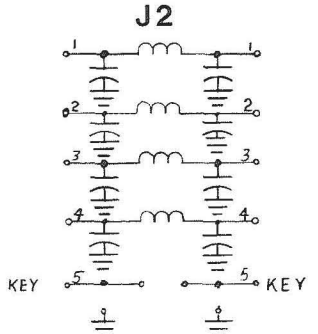
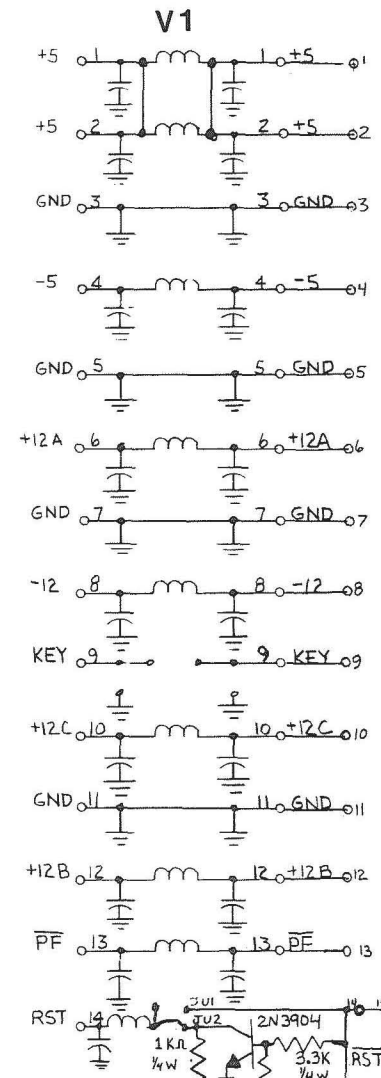
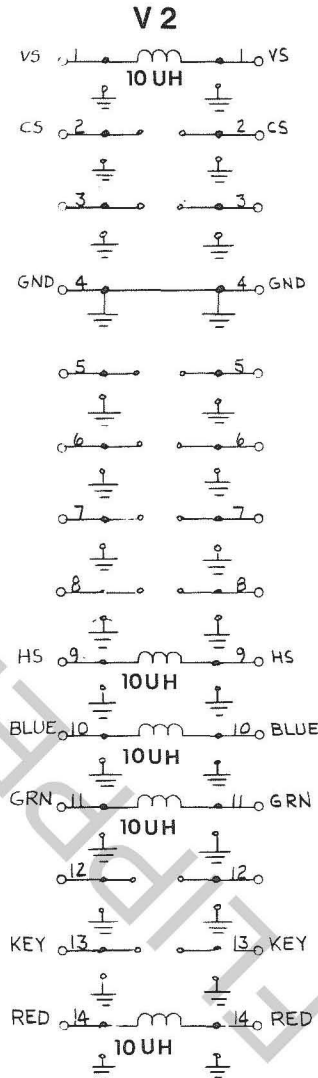
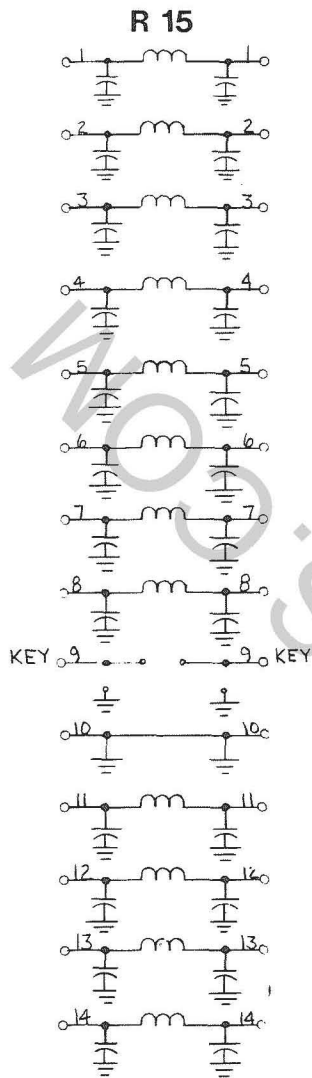
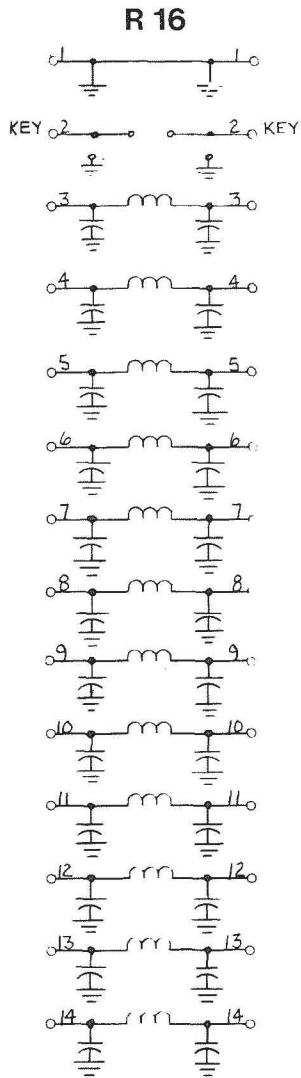
SUBJECT: FILTER BOARD SCHEMATIC

SOLUTION: NONE

PARTS NEEDED: NONE

PROCEDURE: ON THE ABOVE GAMES, THE MASTER RESET SIGNAL IS INVERTED BY Q1 ON THE FILTER BOARD. IF THE GAME IS INTERMITTENTLY RESETTING ITSELF, THE MOST LIKELY PROBLEM WOULD BE THIS TRANSISTOR. THE PROCEDURE TO DIAGNOSE THE PROBLEM FOLLOWS:

USE A LOGIC PROBE OR A METER TO LOOK AT YOUR RESET SIGNAL. THERE ARE THREE (3) V1 CONNECTORS ON THE FILTER BOARD. PIN 14 ON THE V1 CONNECTOR (A WHITE WIRE) IS FOR THE RESET SIGNAL. ON THE TOP V1 CONNECTOR, THE RESET SIGNAL SHOULD BE LOW (0V) FOR TWO (2) SECONDS AFTER POWER-UP, THEN GO HIGH (+5V) AND STAY HIGH. THIS SIGNAL COMES FROM THE POWER SUPPLY. ON THE BOTTOM V1 CONNECTOR, THE RESET SIGNAL SHOULD BE HIGH (+5V) FOR TWO SECONDS AFTER POWER-UP, THEN GO LOW (0V) AND STAY LOW. THIS SIGNAL COMES FROM Q1 ON THE FILTER BOARD.



NOTES:  
ALL CAPACITORS 470pF  
ALL INDUCTORS FERRITE BEADS  
UNLESS SPECIFIED.

NOTICE TO ALL PERSONS RECEIVING THIS DRAWING  
CONFIDENTIAL - Reproduction, transmission or use of this drawing is prohibited without the express written permission of TAITO AMERICA CORPORATION.  
This drawing is the property of TAITO AMERICA CORPORATION and is loaned to you for your information only. It is not to be distributed, copied, or used in any way without the express written permission of TAITO AMERICA CORPORATION. All rights are reserved. This drawing is the property of TAITO AMERICA CORPORATION and is loaned to you for your information only. It is not to be distributed, copied, or used in any way without the express written permission of TAITO AMERICA CORPORATION. All rights are reserved.

REVISIONS

ERO #91-00132  
7-29-81 J.W.A.

A) (7/29/81)  
ADDED SOUND CONNECTOR  
ECO 92-00414  
12-18-81 DON L

B)  
ADDED RESET CIRCUIT AND EXTRA POWER SUPPLY CONNECTOR  
1-23-82 MARK L  
ECO 92-00440

REVISOR  
C) 1-29-82 DON L

D) 1-29-82 RH

THIS DRAWING ORC00017-001

**TAITO** TAITO AMERICA CORPORATION  
1258 Estes Avenue, Elk Grove Village, IL 60007  
Telephone (312) 981-1000 Telex 25-3290

UNLESS OTHERWISE SPECIFIED	INCHES	DRAWN BY	DATE	SCALE
DIM. TOL.	Inches mm	JWA	7-29-81	N/A
		APPROVED BY	DATE	
		CVS	7/29/81	
DESCRIPTION				
FILTER BOARD				
DRAWING NUMBER				
ORC00017				
SHEET				
1 of 1				



# SERVICE TIPS

FAST AID HOT LINE: 800-323-0666  
EXCEPT ILLINOIS: 312-981-1000 Ext. 215  
TELEX: 253290



- MANDATORY
- ON FAILURE ONLY
- FOR YOUR INFORMATION

83-13

ATTN: SERVICE MANAGERS

GAME: ALPINE SKI, WILD WESTERN, JUNGLE HUNT, FRONT LINE

SUBJECT: THEORY OF OPERATION OF THE "S.J." SYSTEM

SOLUTION: WE HOPE THIS INFORMATION WILL BE HELPFUL TO YOUR UNDERSTANDING OF THE "S.J." SYSTEM

## COMPUTERS

The two microprocessors that run the S.J. video system are both Z-80 C.P.U.'s, the main (video) processor being clocked at 4 megahertz, and the sound processor being clocked at 3 megahertz. The sound processor's address and data lines are unbuffered due to a low component count in the sound circuitry. Each processor is allocated a scratchpad RAM memory, the sound C.P.U. having 2 kilobytes (2114 rams) and the main C.P.U. also having 2 kilobytes (2016 ram). Both processors access independent program ROM banks, jumperable to most common types of EPROMS. Inter-processor communication is achieved through byte-I/O transfers on a latch.

Of the two most popular methods to perform data I/O operations (memory-map or porting), memory-mapping is used extensively for all data operations. The porting conventions on the Z-80 processor are only used to clear any asserted interrupts at the beginning of each machine cycle ("M1" state).

## TIMING

All video timing is derived from a 12 megahertz master clock, which controls all timing within the system with the exception of the microprocessors. The C.P.U.'s each have an independent clock circuit, each with its' own crystal oscillator.

Timing signals are applied to the video sections (in addition to synchronizing them) and are summed with data from the C.P.U. to provide "offsets" to the horizontal and/or vertical timing to produce motions in the video displays.

Timing can also be summed with horizontal or vertical offset data and be applied to the scrolling circuits. The scrolling circuits control 3 completely independent "background" video pages, each uniquely moveable in any direction (These circuits may be used to generate other than background video if it is desired or necessary).

The timing signals are also used to inform the circuitry that moves the small "objects" on screen when to produce them and where to put them. These "objects" are usually the player's character etc., and the timing will help the C.P.U. to determine when there has been a collision between any of the "objects" or if one has collided with the "background" video.

## VIDEO

As mentioned, there are two types of video information present; "background" and "object" video. There are completely different circuits for organizing and moving the data that comprises either type of video, but the source of picture information is the same for both circuits. The picture information is referred to as "postage stamps" of video data, and a postage stamp occupies 8 by 8 dots on the screen. The bank of ROM where the postage stamp's data is held is called the "pattern ROM" bank. Postage stamps infer a very software intensive type of video game, and video difficulties are perhaps more confusing to diagnose due to many circuits having multiple functions.

The "objects" on the screen are actually assemblages of 4 postage stamps to obtain a 16 x 16 dot "character" which can be moved about or swapped with similar patterns to "animate" the character. There are 2114 rams called "object rams" which carry data on which objects are currently being displayed, what colors are to be applied to them, and their coordinates on the screen. Various circuits digest this data and in turn control other circuits which act on it. The object producing circuitry is capable of maintaining and manipulating 22 objects on the screen at any one time. Each object that is being displayed has a distinct priority established by hardware. This prioritization is used to mask lower priority objects when higher priority objects pass through them to give the impression of "depth" when a character passes "under" another.

"Background" video is actually 3 independent screenfuls of video data, each moveable regardless of other screens or any objects on screen. The background video is also comprised of many "postage stamps". The visual impression of motion is produced by "scrolling" or shifting the characters that comprise the background. As mentioned, the data for producing the background video is of the same source as that for objects. The RAMS that then hold the pattern data ("code rams", 6 2016 RAMS) maintain the characters somewhat differently than the object RAMS, in that the postage stamp patterns codes are maintained in the code rams alone. The data for coordinating the placement of the patterns is held in the "screen rams" (2 2016 RAMS), and this information is directed by the sum of the data held in the "scroll rams" (2 2114 RAMS) and the timing signals mentioned previously.

The background video data and the object video data need to be output from code rams under the direction of the screen rams to the shift registers. The three background screens are simultaneously shifted into serial form and passed to the prioritization circuitry. The object video data is also in the code rams at this time, and the object data is also shifted into serial form, but instead of being sent to the priority circuit it is read into the "line buffers" these are extremely fast (230 ns bi-polar RAMS, type 93422). The line buffers alternately hold and display 1 horizontal line at a time, and while 1 is reading its object data to the screen, the other is being written for the next line.

The priority circuit is actually a 1-of-4 selector, choosing between 3 background screens and object data. A priority is assigned from a lookup table called the "priority ROM" (sometimes mistakenly referred to as a "color ROM") and the video signal present at that time with the highest priority will be the one honored. This prioritization is the key to detecting whether an object collides with another or a background "character" by observing whether or not there was a priority conflict.

The controlling microprocessor oversees all these operations, and can directly access any of the memories mentioned thus far with the exception of the line buffer "fast RAMS". The video chain now is passing 1 dot of video information per cycle to the final stages. The video information is 6 parallel bits of color coding and each cycle of 6 bits applies a distinct level of R-G-B voltage to the monitor's guns. Six bits provides a one of 64 color select, but the color lookup table is a RAM with 9 bits of data giving 512 possible colors, any 64 of which may be used instantly. This lookup is a hardware digital-to-analog converter, with the increments installed by the C.P.U. in the RAM.

#### SOUND

Sound is produced under the control of both microprocessors. The main (video) C.P.U. is used to read player inputs and produce background sound effects. Some games use this background sound for music. The sound is produced by an 8910 programmable sound generator (P.S.G.) chip. This P.S.G. also has 2 parallel ports available on it, so they are used to read 2 D.I.P. switch banks for game options. This sound is shaped by a 3900 operational amplifier (op-amp) and has a separate mixing level (bgnd volume control).

All other game sound effects are produced under the control of the sound C.P.U. Most of the sounds are also produced by 3 8910 P.S.G. chips, however one of the P.S.G.'s parallel ports are used to form a hardware digital-to-analog converter. This D/A converter is principally used to produce sine-wave type noise since the P.S.G.'s only produce filtered square waves. Extremely complex waveforms such as voice also may be produced by this D/A network.

The outputs of the D/A network and the main sound P.S.G.'s are shaped and filtered somewhat differently, but all use 3900 op-amp circuitry. The signals are finally summed (mixed) by another 3900 op-amp, and sent (via volume control) to the sound output amplifier.

The Main C.P.U. passes sound requests to the sound C.P.U., and requires little or no handshaking after that. The Main C.P.U. may also gate off the sound (as when in the attract mode) by one of its peripheral outputs.

The player switch inputs are debounced and fed onto the "external data bus" along with the other D.I.P. switch bank and Pattern ROM data. This is then passed to the main C.P.U. data bus when the C.P.U. is ready for the data.

FLIPPERS.COM