

ELECTROHOME

**CHASSIS
G02**

54-7255-01 Issue 1

THIS INFORMATION IS UP TO DATE AS OF MARCH 1978.

G02 COLOR DATA MONITOR CHASSIS MANUAL

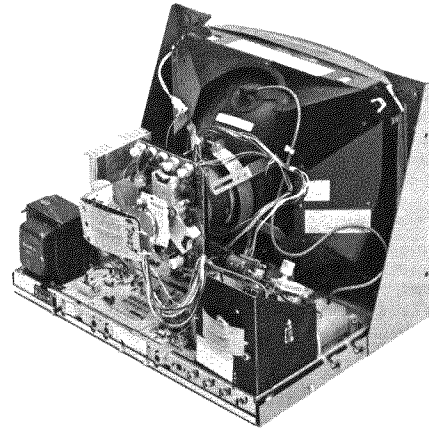
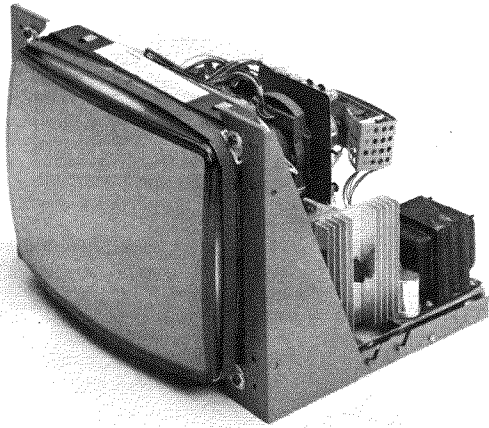
TECHNICAL SERVICE DATA

©1978 ELECTROHOME Limited

ELECTROHOME LIMITED - KITCHENER - ONTARIO - CANADA

TABLE OF CONTENTS

Service Data Reference	2
Measurement, X-Ray, High Voltage & CRT Warnings	2
Product Safety Servicing Guidelines	2
Access Information	3
Service Adjustments	5
Top Chassis View Service Control Location	7
Transistor Lead Configuration Convention	8
Test Equipment	9
Monitor Block Diagram	9
Deflection P.C. Board (Top View)	10
Convergence P.C. Board (Top View)	11
Geometry Correction P.C. Board (Top View)	11
Video Output P.C. Board	12
Power Supply P.C. Board	13
G02 Monitor Circuit Drawing	14
Color Service Generator for G02 Monitor	14
Fortune Coin Co. Interface T.T.L. P.C.B.	15
Service Replacement Parts List	16
Standard T.T.L. Binary Input P.C.B.	17
Service Replacement Parts List	18
Color Monitor Interface P.C.B. — Exidy	19
Service Replacement Parts List	20
Midway Analog Color Monitor Interface	21
Service Replacement Parts List	22
Midway Color Difference Interface	23
Service Replacement Parts List	24
Atari Tank T.T.L. Binary Input P.C.B.	25
Service Replacement Parts List	26
Atari Indy 800 Interface T.T.L. P.C.B.	27
Service Replacement Parts List	28



SERVICE DATA REFERENCE

100-110-120 Volts, 50/60 Hz., 1.5 Amps.

A.C. operated 90° color data monitor chassis.

For individual model information, see model data sheets.

When writing for Service Information, please quote chassis type number and model code. See chassis type number and model code located on the back skirt of the chassis.

This information is correct as of May 1978.

MEASUREMENT, X-RAY, HIGH VOLTAGE AND CRT WARNINGS

1. X-RADIATION

All color television pix tubes emit some x-rays. This chassis has been designed for minimal x-radiation. However, to avoid possible exposure to soft x-radiation, ensure that EHT value is correctly set in accordance with procedures under EHT Hold-Down and EHT Adjustments.

2. HIGH VOLTAGE

This color data monitor contains HIGH VOLTAGES derived from power supplies capable of delivering LETHAL quantities of energy. To avoid DANGER TO LIFE, do not attempt to service the chassis until all precautions necessary for working on HIGH VOLTAGE equipment have been observed. In order to prevent damage to solid state devices, do not arc pix tube anode lead to chassis or earth ground.

CAUTION: This chassis employs a high EHT (31KV) pix tube.

3. CRT HANDLING

The picture tube encloses a high vacuum and due to the large surface area is subject to extreme force. Care must be taken not to bump or scratch the picture tube as this may cause the tube to implode resulting in personal injury and property damage. Shatter-proof goggles must always be worn by individuals while handling the CRT or installing it in the monitor. Do not handle the CRT by the neck.

FILE SUPPLEMENTARY MODEL DATA WITH THIS G02 CHASSIS MANUAL

PRODUCT SAFETY SERVICING GUIDELINES

CAUTION

No modification of any circuit should be attempted. Service work should be performed only after you are thoroughly familiar with all of the following safety checks and service guidelines. To do otherwise increases the risk of potential hazards and injury to the user.

SAFETY CHECKS

Subject: Fire and Shock Hazard

1. Do not install, remove, or handle the picture tube in any manner unless shatter-proof goggles are worn. People not so equipped should be kept away while picture tubes are handled. Keep the picture tube away from the body while handling.
2. When service is required, observe the original lead dress. Extra precaution should be given to assure correct lead dress in the high voltage circuitry area. Where a short circuit has occurred, replace these components that indicate evidence of overheating. Always use the manufacturer's replacement component.
3. Always check high voltage for proper value and at all times use an accurate high voltage meter. The calibration of this meter should be checked periodically.
4. After re-assembly of the set, always perform an A.C. leakage test on the exposed metallic chassis to be sure the set is safe to operate without danger of electrical shock. Do not use a line isolation transformer during the test. Use an A.C. voltmeter having 1000 ohms per volt or more sensitivity in the following manner:— Connect a 1500 ohm 10 watt resistor, paralleled by a .15 mfd, AC-type capacitor between a known good earth ground (water pipe, conduit,

etc.) and the exposed metallic chassis. Measure the A.C. voltage across the combination 1500 ohm resistor and .15 uf capacitor. Reverse the AC plug on the set and repeat AC voltage measurements for each exposed metallic part. Voltage measured must not exceed .3 volts RMS. This corresponds to 0.5 milliamp AC. Any value exceeding this limit constitutes a potential shock hazard and must be corrected immediately.

5. Check for frayed insulation on wires including AC cord.
6. Check across-the-line components for damage and replace if necessary.

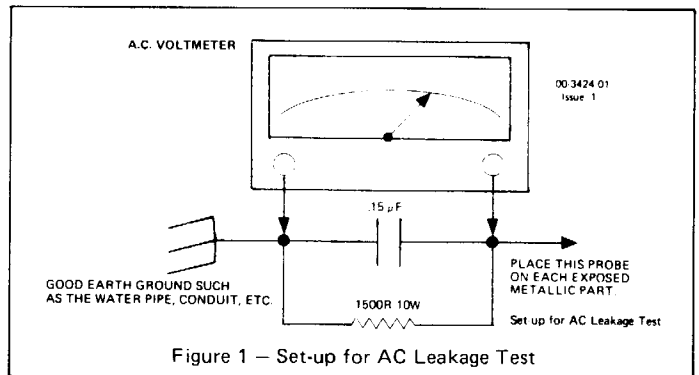


Figure 1 — Set-up for AC Leakage Test

ACCESS INFORMATION

1. INSTALLATION OF NEW COLOR MONITOR

- Allow monitor to reach operating temperature and set controls for normal picture. Observe vertical centering, vertical height and focus and make corrections if mis-adjustment is readily seen. Color temperature, purity and convergence should be critically checked, since these can be affected during normal handling of monitor.

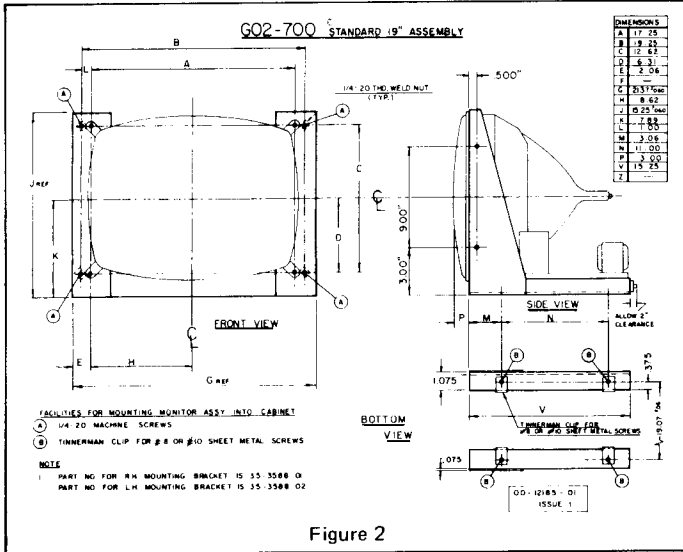


Figure 2

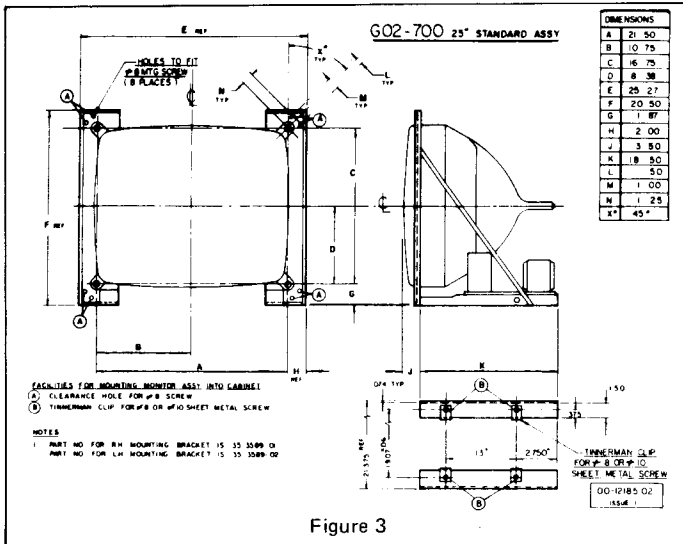


Figure 3

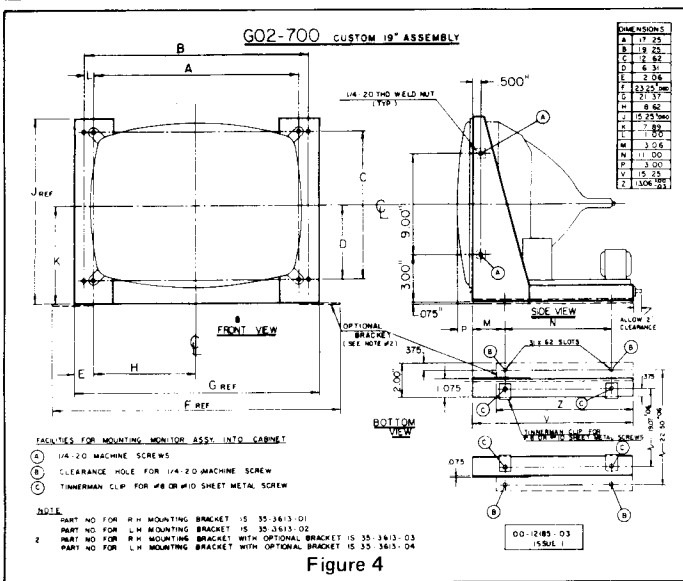


Figure 4

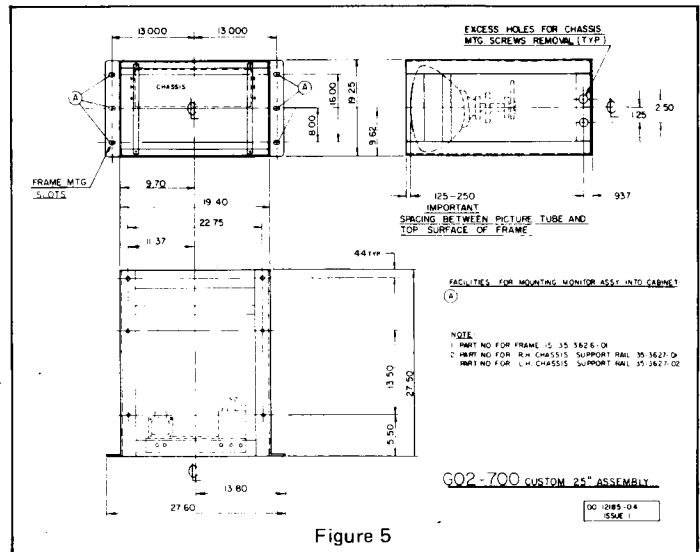


Figure 5

- There are various models of the G02 color data monitor determined by their mechanical and/or electrical differences. Some of the mechanical configurations are shown in:
 Figure 2 standard 19" configuration
 Figure 3 standard 25" configuration
 Figure 4 custom 19" configuration
 Figure 5 custom 25" configuration
 Each monitor configuration can be mounted into customer designed enclosure by using mounting facilities provided as described in Figures 2, 3, 4 and 5.

- Adequate ventilation must be provided in order to have the monitor function properly. The maximum ambient temperature in which the monitor can operate is 66°C. Special attention should be given to keep the underside of monitor chassis clear of any obstruction that will hinder air flow to and from power dissipating components.

2. AUTOMATIC DEGAUSSING

All monitors are equipped with automatic degaussing coils which effectively demagnetize the picture tube each time the monitor is turned on. The degaussing coils will operate any time the monitor is turned on after having been off for at least five minutes. The degaussing effect is confined to the picture tube since the coils are mounted on the ferrous tube shield. Should any part of the chassis become magnetized, it will be necessary to degauss the affected area by means of a manual degaussing coil. Move the coil slowly around the CRT face area, then slowly withdraw for a distance of six feet before disconnecting the coil from the AC power supply.

3. SERVICE CONTROLS

There are 8 service controls located on the rear skirt. For functions and location see Figure 6. The horizontal width control is located on the rear panel of the flyback transformer enclosure (right hand side).

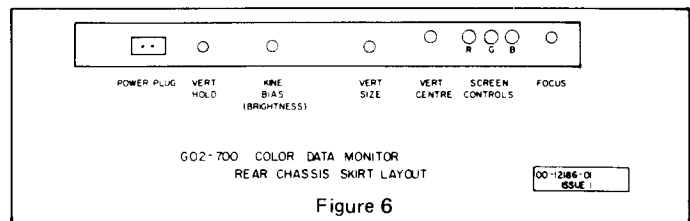


Figure 6

4. CHASSIS REMOVAL FOR SERVICE

- To remove the chassis from the tube assembly.
- 1) Disconnect Video Output PC Board Assembly.
 - 2) Remove two hold-down screws on the side of chassis skirt.
 - 3) Disconnect picture tube anode lead and ground connector yoke plug convergence plug, degaussing connection and two harness plugs on interface PCB.
 - 4) Pull chassis back and then up until it clears slots in mounting rails.

5. PICTURE TUBE REMOVAL

CAUTION: Wear safety goggles, handle CRT gently, do not lift by neck.
 — Short second anode to aquadag ground to discharge tube.

- 1) Remove chassis per Chassis Removal Instructions.
- 2) Loosen clamp of blue lateral magnet and remove magnet.
- 3) Release clamp of convergence yoke, and remove yoke and convergence assembly.
- 4) Remove yoke clamp wing screws, loosen yoke clamp screw and remove yoke.
- 5) Release hold down tabs (or screws) securing purity shield, and remove purity shield.
- 6) Remove aquadag spring, and yoke clamp holding springs.
- 7) Lay monitor face down, remove four screws holding pix tube ears to frame. Remove CRT.

6. TO INSTALL NEW TUBE

Reverse the procedure of tube removal, being careful to have H.V. anode at top side of tube. The purity shield has clearance provided for this connection, and should also be toward top of tube. For correct placement of tube neck components refer to figure 7. Refer to appropriate diagram (figures 2, 3 and 4) for correct location of tube to mounting rails.

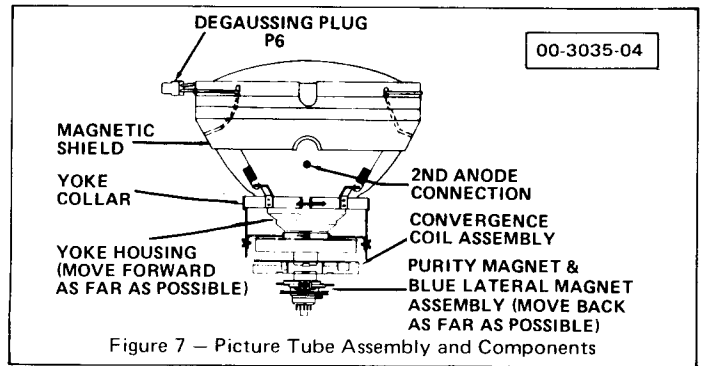


Figure 7 - Picture Tube Assembly and Components

SERVICE ADJUSTMENTS

See Access Information - if required on page 4.

IMPORTANT: Monitor should be at room temperature, approximately 21°C. (70°F). for at least one half hour before any set-up adjustments are performed. Monitor must be operated at least thirty minutes with a raster display before purity or convergence adjustments are attempted.

1. FOCUS

Connect a test signal to the monitor eg. a cross hatch test pattern. Adjust R954 for maximum definition.

2. VERTICAL HEIGHT AND CENTERING

Both the vertical height and vertical centering controls are located on the rear chassis skirt, see figure 6.

Adjust the vertical centering control R668 in conjunction with the vertical height control R640 to obtain a picture or test pattern of the desired height and centering. There is no adjustment for vertical linearity required in this chassis since the vertical deflection circuitry has been designed to be self-correcting.

3. HORIZONTAL LINEARITY AND CENTERING

The horizontal centering control is located on the geometry correction PCB, figure 19, R961. There is no adjustment for linearity - the linearity coil L964 is a fixed type.

Adjust the horizontal centering control R961 for optimum positioning.

4. HORIZONTAL OSCILLATOR ADJUSTMENT

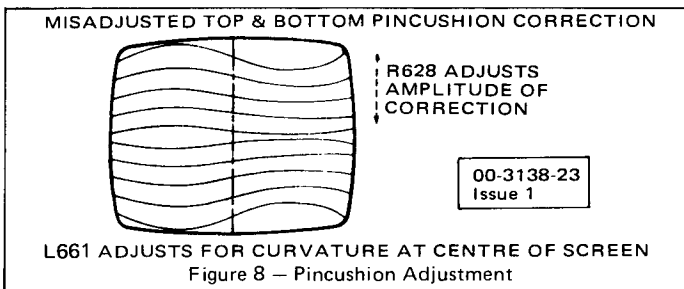
If there is difficulty in maintaining horizontal sync short out the sync pulse at C901 to ground. Adjust horizontal oscillator coil L901 until raster is as close to sync as possible.

5. TOP AND BOTTOM PINCUSHION ADJUSTMENT

The top and bottom pincushion adjustment is factory preset and normally needs no further adjustment.

Top and bottom pincushion adjustment may be made, if necessary, by adjusting for straight horizontal lines at the top and the bottom of the raster.

With a crosshatch pattern on the screen, turn R664 fully counterclockwise. Adjust L661 to move the curvature to the centre of the screen. Then adjust R664 for straight horizontal lines. L661 changes the phase of the horizontal correction waveform and R664 affects its amplitude. The illustration (figure 8) shows the effect of extreme misadjustment of L661.



6. FUSES

The following fuses are located in sockets on the power supply PCB.
F401 slow blow 2 amp 125V power line

- F403 slow blow 2 amp 125V CRT filament
- F404 fast blow 1 amp 125V 60 volt supply
- F405 slow blow 1 amp 250V 125 volt supply

They have been chosen to protect against fire hazard.

FOR CONTINUED SAFETY. REPLACE EACH FUSE WITH ONE OF THE SAME TYPE AND RATING.

7. POWER SUPPLY TEST AND ADJUSTMENTS (Service Adjustments Section)

1) Line Voltage Selection - SW401 in figure 12.

The video monitor has been designed for use on 50 Hz and 60 Hz power line frequency. An input voltage selector switch has been provided for use on 100V, 110V, or 120V nominal power line voltage. This selector switch is located on top of the chassis near the front skirt, SW401 in figure 12. All units are shipped with the input voltage selector switch set and locked in the 120V position. In case this selector switch has to be reset for a different power line voltage, the adjustment should be made with no power being applied to the monitor.

Caution: Do not connect a unit which has been adjusted for 100 or 110 volt power line operation into a 120V power source.

2) Power Supply Tests and Adjustments

- a) The -82V bias supply is zener regulated and located on the power supply PCB.
- b) The +125V power supply is adjustable by a potentiometer R422 located on the power supply PCB. It is adjusted to provide 30 kV anode voltage to the CRT at zero beam current. (Kine bias and screen controls turned counterclockwise.)
Note: See EHT and EHT hold-down circuit adjustments item no. 8
- c) The +60 volt supply is non regulated and should be between 54 and 62 volts.
The +30 volt supply is also non regulated and should be between 28 and 32 volts.
- d) The +24 volt supply is zener regulated and should be between 5 and 25.5 volts.
- e) The 6.3V filament supply is a regulated DC supply located on the power supply PCB and is adjustable by potentiometer R431.
Note: This power supply is at a 125V position potential above ground and should be checked with a voltmeter which is insulated from ground.

8. EHT HOLD-DOWN AND EHT CIRCUIT ADJUSTMENTS

1) EHT Hold-Down Circuit Description

The G02 color data monitor employs a sensing circuit designed to cut off beam current should the EHT rise above 32 KV. Normal EHT for the G02 is 30 KV.

Positive going pulses are fed to rectifier D970 from the horizontal output transformer T901. The rectifier circuit consists of D970, R970, C970 and C971. The resultant DC voltage (+270V) appears at the ungrounded end of C971. A larger amplitude pulse, corresponding to an increase in EHT, results in a larger rectified DC voltage across C971, which is applied to the trip circuit.

The "trip" circuit functions as follows: When EHT rises to 32 KV due to control adjustments or fault conditions, sufficient rectified voltage appears across C971. This voltage is divided by R945 and the R928-R930 combination. The divided voltage appears across C940 after a time lag of about 5 seconds. The time lag is mainly a function of the RC time constant formed by C940 and R928-R930 combination.

When the DC voltage across R940 exceeds D925 zener voltage (25V ± 2%) plus Q926 gate firing voltage of .8 volts, the SCR "trips" and brings D926 anode close to ground potential cutting off Q930, the horizontal

driver.

In order for the EHT to reappear, it will be necessary to cut off power to the monitor and remove the fault or adjustment condition that triggered the EHT collapse or subsequent collapses will occur.

2) EHT Hold-Down and EHT Adjustments

In order to stay within government specified guidelines regarding x-ray radiation, the flyback tertiary coil, EHT hold-down control (R930), and EHT preset control (R422) have been Factory Sealed. If at any time any of the parts listed in figure 9a are changed, it will be mandatory to perform the associated procedures also listed in figure 9a.

Example:—

1. R430 is replaced — procedure C is to be followed
2. T901 is replaced — procedures A, B and C are to be followed.

The equipment required to perform procedures A, B and C are listed in figure 9b.

Parts	Procedure to be followed
R430, R422, C951, D430 D420, R947, R428, C942 VT901, R423, C950, R943, V944, R939, R949, R963 R948, Q926, R927 D925, R930, R928 C940, R945 Tertiary Coil Flyback T901, C943	C B A & B A, B & C

Figure 9a

Equipment required for EHT hold-down and EHT adjustment

1. Variac 0 140VAC General Radio W5MT3VM or equiv.
2. Line voltage monitor Fluke 8000A (.5%) or equiv.
3. Mod-tronic beam current meter 1% FSD or equiv.
4. Mod-tronic EHT meter 1% FSD or equiv.
5. 12K ohm resistor .5W.
6. Electrohome RGB color data monitor test generator or equiv.
7. Hex tool, non inductive for tertiary coil adjustment.
8. Sealing compound Lepages epoxy No.354 or equiv.

Figure 9b

a) Adjustment Procedure for Flyback Tertiary Coil

1. Turn R930, hold down trim pot, to minimum resistance, fully cw.
2. Turn R422, EHT adjust to minimum resistance, fully ccw.
3. Apply 120VAC to power up chassis and monitor EHT at 0 beam current.
4. Adjust tertiary coil on flyback for minimum EHT. If there are several dips in the EHT as the slug is adjusted, choose the dip producing minimum EHT.
5. Connect signal generator to video input, switch generator to field and touch up tertiary coil for minimum ringing bars on screen.
6. Turn the set off and seal* tertiary coil with epoxy (Lepages No.354 or equivalent) in such a manner that neither tune slug can be moved, or tune wand inserted into the coil.

b) Adjustment Procedure for EHT Hold-Down Pot (R930)

1. Turn R930, hold down trip pot, to minimum resistance, fully cw.
2. Turn R422, EHT adjust, to minimum resistance, fully ccw.
3. Apply 132VAC to power up chassis, and set R422 for an EHT of 32.0KV at 0 beam current. If 32KV cannot be obtained within range of R422, jumper R423 with a 12K ohm resistor to facilitate adjustment.
4. Advance hold down trip pot, R930 slowly towards high resistance (c.w.) just until EHT drops down towards 0. Note that it may be necessary to clip out R928B to facilitate this adjustment.
5. Turn R422 fully ccw (min. resistance) and reset EHT trip circuitry by momentarily shorting our C954 (.1uf).
6. Slowly turn R422 cw and verify that EHT trips at between 32.0 and 32.5 KV. If it does not go towards 0 within these limits repeat this set up procedure (1-4) or reject and repair the set.
7. Once EHT trips within acceptable limits, remove line voltage and seal* R930 with epoxy (Lepages No.354 or equivalent). If it was necessary to jumper R423 with a 12K resistor, remove this resistor.

c) Adjustment Procedure for EHT Preset (R422)

1. Turn R422 fully ccw and apply 120V line to set.
2. Slowly adjust R422 to where EHT = 30.0 KV at 0 beam current.
3. Remove power and seal *R422 with epoxy (Lepages No.354 or equivalent).

*In all steps where an item must be sealed, it must be done in such a manner that the seal cannot be broken without damaging the item.

9. CONVERGENCE

General Information — The dot movement pattern is illustrated in figure 10a. The dots move approximately the same angle as the convergence magnets are offset from the vertical plane. Blue, since it is mounted in a vertical plane, moves the blue dot up and down vertically; red and green moves the respective dots on at about a 60° angle from the vertical. The

blue lateral assembly moves all three dots in a horizontal plane, the blue dot in one direction and the red and green dots in the opposite direction in a 5/1 ratio. Blue has the greatest lateral shift.

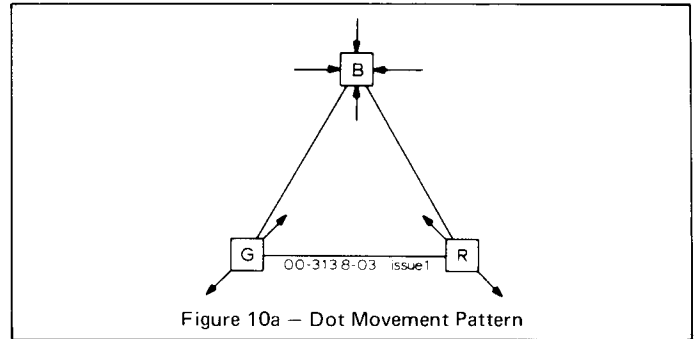


Figure 10a — Dot Movement Pattern

The thumbscrew adjustment of red, blue and green centre convergence magnets can be rotated in either direction continuously. Flux change is accomplished by changing the pole position of the magnets, not by moving the magnets nearer or further from the respective guns.

The blue lateral magnet is adjusted by means of the knurled knob located on the blue lateral assembly.

10. PURITY AND CONVERGENCE

Turn kine bias control and R, G and B screen controls to min. (c.c.w.).

Pre-Conv. Setup (North/South)

1. Switch to white crosshatch and do rough static and dynamic convergence ensuring that all convergence controls are operatable.
2. Adjust vertical size, vertical centering and horizontal centering roughly.
3. Set up top and bottom pincushion as follows:
 - a) Turn PIN AMP control (R664) fully counterclockwise.
 - b) Adjust purity phase control (L661) to move the curvature to the center of the screen.
 - c) Adjust R664 pin amp for straight horizontal lines on top and bottom of crosshatch pattern.
 - d) Repeat because of interaction.
4. Set focus if focus appears very bad (this is only initial focus adjustment).

Purity Setup (must be North/South Direction)

1. Switch to red field with kine bias control minimum (c.c.w.).
2. Set up purity as follows:
 - a) Move yoke back against convergence assembly to get a three to four inch red spot on the CRT face (when spot is not small enough move convergence assembly temporarily backwards).
 - b) Adjust purity magnets (rings with tabs located on blue lateral assembly figure 7) to center red area on CRT face.
 - c) Move yoke forwards for best overall red purity.
 - d) Check blue and green fields for purity by switching appropriate signals.
 - e) Switch to white crosshatch. Check yoke level and centering, tighten yoke clamp, locate convergence assembly and tighten up clamp. Make sure mounting is solid.
 - f) Switch low level white field and check white field for purity and white uniformity. If no low level signals are available low level white can be obtained by turning the kine bias control c.c.w.
3. Check color temperature as follows:
 - a) If interface PCB used has video drive controls, adjust these controls (red, green and blue) for good high level white.
 - b) Adjust screen controls up to achieve good low level whites.

Final Convergence Setup (North/South Direction)

1. Switch to yellow crosshatch (R + G).
2. Set static convergence as follows:
 - a) Converge red and green bars at center by adjusting red and green convergence magnets.
 - b) With blue signal on, converge the blue bars onto red and green by using the blue magnets for horizontal (lateral magnet holder may be rotated slightly to minimum vertical effect).

Note: Use minimum blue lateral adjustment required. Excessive blue lateral adjustment causes slight defocusing of other guns. Repeat steps if necessary because of interaction.
Location of blue lateral important.
Static Convergence must be as accurate as possible.
3. Adjust dynamic convergence as follows (see figure 11) with yellow cross-hatch test pattern (red + green)
 - a) Adjust control R4 for best convergence at the bottom of the screen.
 - b) Adjust control R3 for best convergence at the top of the screen.
 - c) Adjust control R8 for best convergence at the left of the screen.
 - d) Adjust coil L3 for best convergence at the right of the screen.

4. Red/Green Horizontal Bars

- a) Adjust control R1 for best convergence at the bottom of the

screen.

- b) Adjust control R2 for best convergence at the top of the screen.
 - c) Adjust control R9 for best convergence at the left of the screen.
 - d) Adjust coil L4 for best convergence at the right of the screen.
- Note: Yoke balance adjustment may be used to improve red horizontal "S"ing. To check yoke balance adjustment, remove convergence plug and adjust L961 for R and G line coincidence. Later monitors do not have yoke balance adjustment.

5. Blue Horizontal Bars

- a) Adjust control R6 for best convergence at the bottom of the screen.
 - b) Adjust control R5 for best convergence at the top of the screen.
 - c) Adjust control R7 for best convergence at the left of the screen.
 - d) Adjust coil L2 for best convergence at the right of the screen.
- If necessary, repeat static and dynamic convergence operations concentrating first on red and green fields, then on blue until convergence is in full spec.
- Note: Convergence tolerances only apply if best possible convergence has been achieved. Set should be converged well within allowable tolerances.

- 6. Adjust focus very critically to the point where vertical lines have no blooming and horizontal lines have no smearing.

Note: A mirror, preferably surface plated, placed in front of the monitor will provide a good reproduction of the CRT display while allowing the service technician complete access to the rear of the monitor to do his convergence and purity set-up.

11. BLUE HORIZONTAL SHAPING COIL (see figure 10b)

The Blue Horizontal Shaping Coil L801 is not part of the convergence set-up adjustments. Misadjustment of this coil will cause horizontal distortion and eventual failure. If for any reason, L801 becomes misadjusted, it can be reset as follows: Connect an oscilloscope to the junction of L801 and R804. Adjust L801 until the horizontal harmonic "bump" is at the 50% point on the sine wave slope. Waveform should be approximately 45 v P-P.

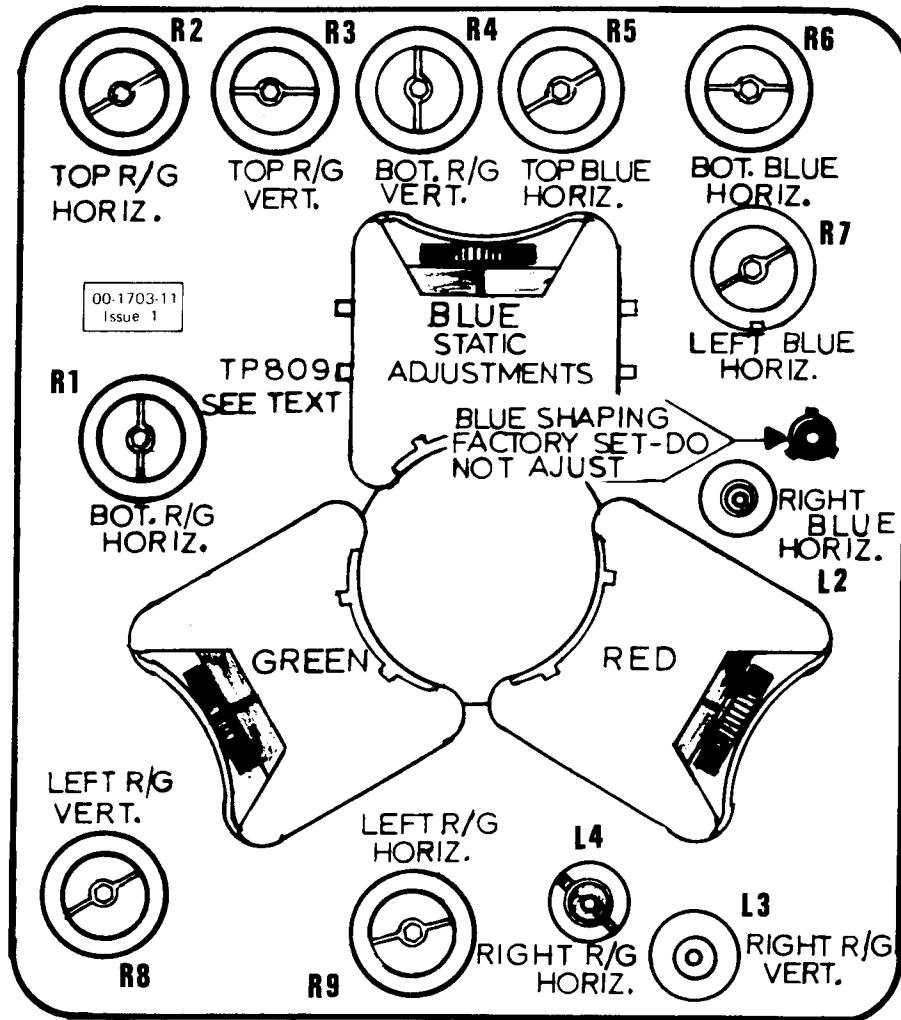
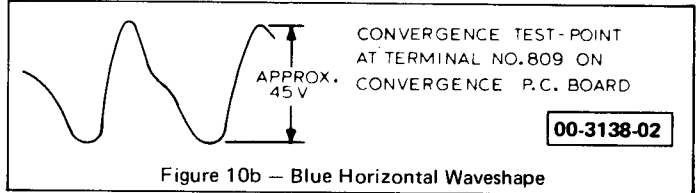
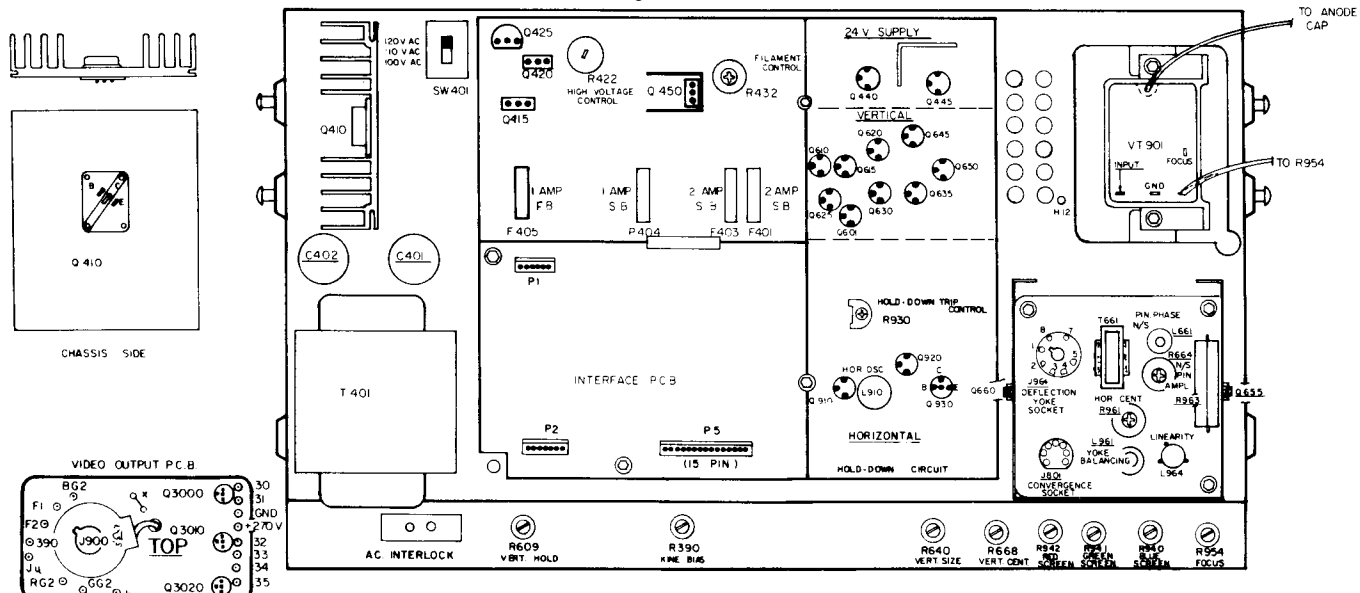


Figure 11 - Dynamic Convergence Panel

TOP CHASSIS VIEW SERVICE CONTROL LOCATION

Figure 12



EMITTER THIS E-B-C ORIENTATION
 BASE FOR ALL TRANSISTORS
 COLLECTOR UNLESS OTHERWISE NOTED

00-16146-01
 Issue 1

TRANSISTOR LEAD CONFIGURATION CONVENTION

The suffix or last two digit dash numbers of the new Electrohome transistor part numbers serve to identify lead configuration.

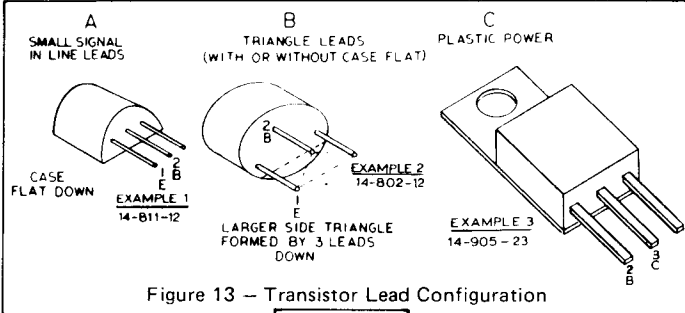
EMITTER = 1

BASE = 2

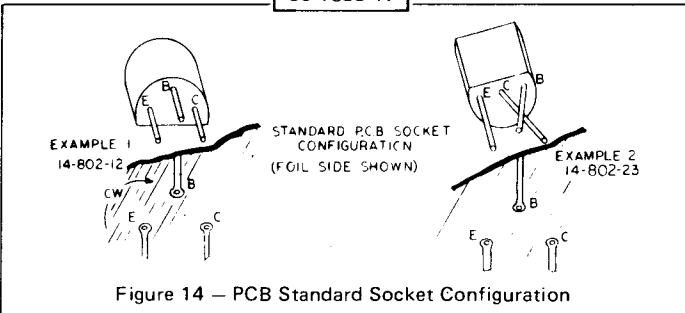
COLLECTOR = 3

The two digit suffix specifies the first two leads reading from left to right when the transistor is held with leads directed toward you and with the:

- transistor case flat down (in line leads).
- large side of triangular lead formation down, or
- collector heat tap down for plastic power units.



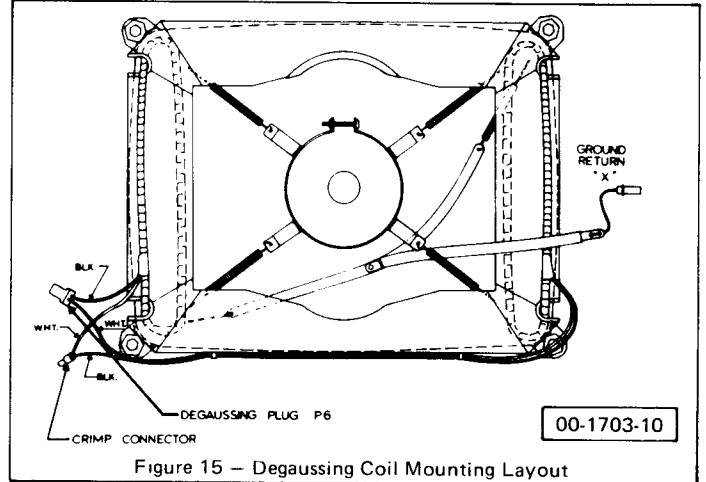
00-1688-17



On the printed circuit boards in the monitor solder pads are provided for small signal transistors in a configuration that is consistently

CLOCKWISE emitter-base-collector WHEN VIEWED FROM THE FOIL SIDE OF THE PRINTED CIRCUIT BOARD. (This is the same view as the bottom of the transistor itself). This knowledge then allows one to form any small signal transistor's leads to fit the standard socket arrangement and alternate transistors need only be known by their suffix or dash number.

Plastic power transistor configurations vary and generally have been left in-line with individual sockets adapted to the transistor leads (no provision for lead forming). Consequently, there will be no alternate units of differing lead configuration (or suffix number).



NOTE: To obtain correct degaussing action it is important to regard the polarity of the coils. If the series connected coils are positioned around picture tube as shown with leads pointing down and toward picture tube center. The fields will aid one another resulting in good degaussing. This can be checked by artificially creating an impurity pattern by touching faceplate of picture tube with a relatively strong permanent magnet; and then after thermistor has cooled to normal ambient temperature switch set on. Practically all traces of impurity should disappear provided the purity of the picture tube was correctly adjusted.

TEST EQUIPMENT

- COLOR GENERATOR (with field/crosshatch/color bar pattern provision).
NOTE: Electrohome has developed a color service generator that is specifically designed for use with the G02 monitor. This product may be ordered from:
OEM Contracts Manager
Electrohome Limited
809 Wellington St. N.
Kitchener, Ontario, Canada
N2G 4J6
Telephone (519) 744-7111
- EHT METER, calibrated 0-35KV., or 35KV HIGH VOLTAGE PROBE for voltmeter - high accuracy.
- VTVM, with capability of reading as low as 0.5V D.C. with resolution 0.1V. (or 20,000 ohm/v VOM).
- OSCILLOSCOPE - If used in video checks must have frequency response up to 10 MHz.

MONITOR BLOCK DIAGRAM

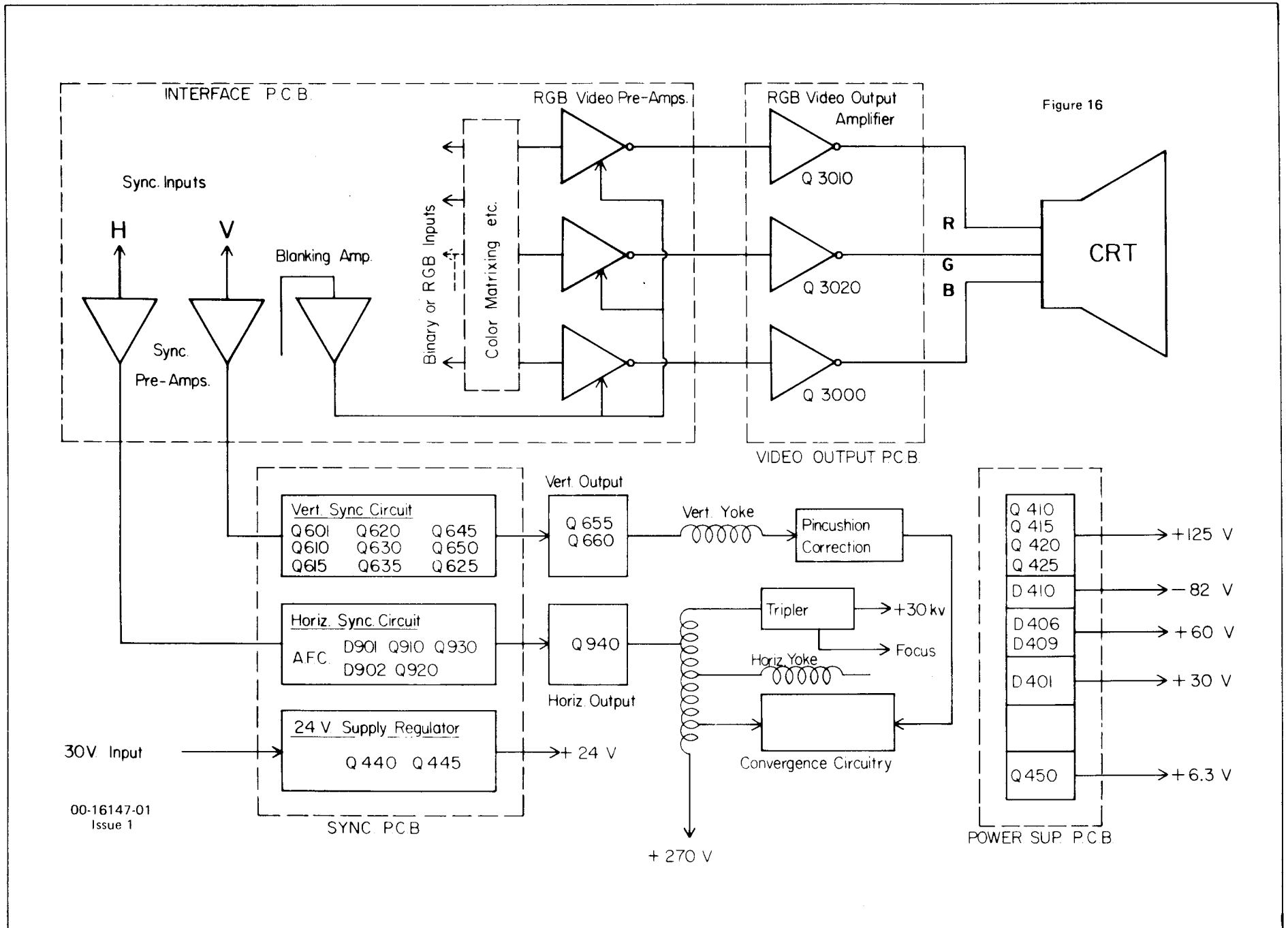
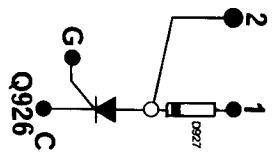
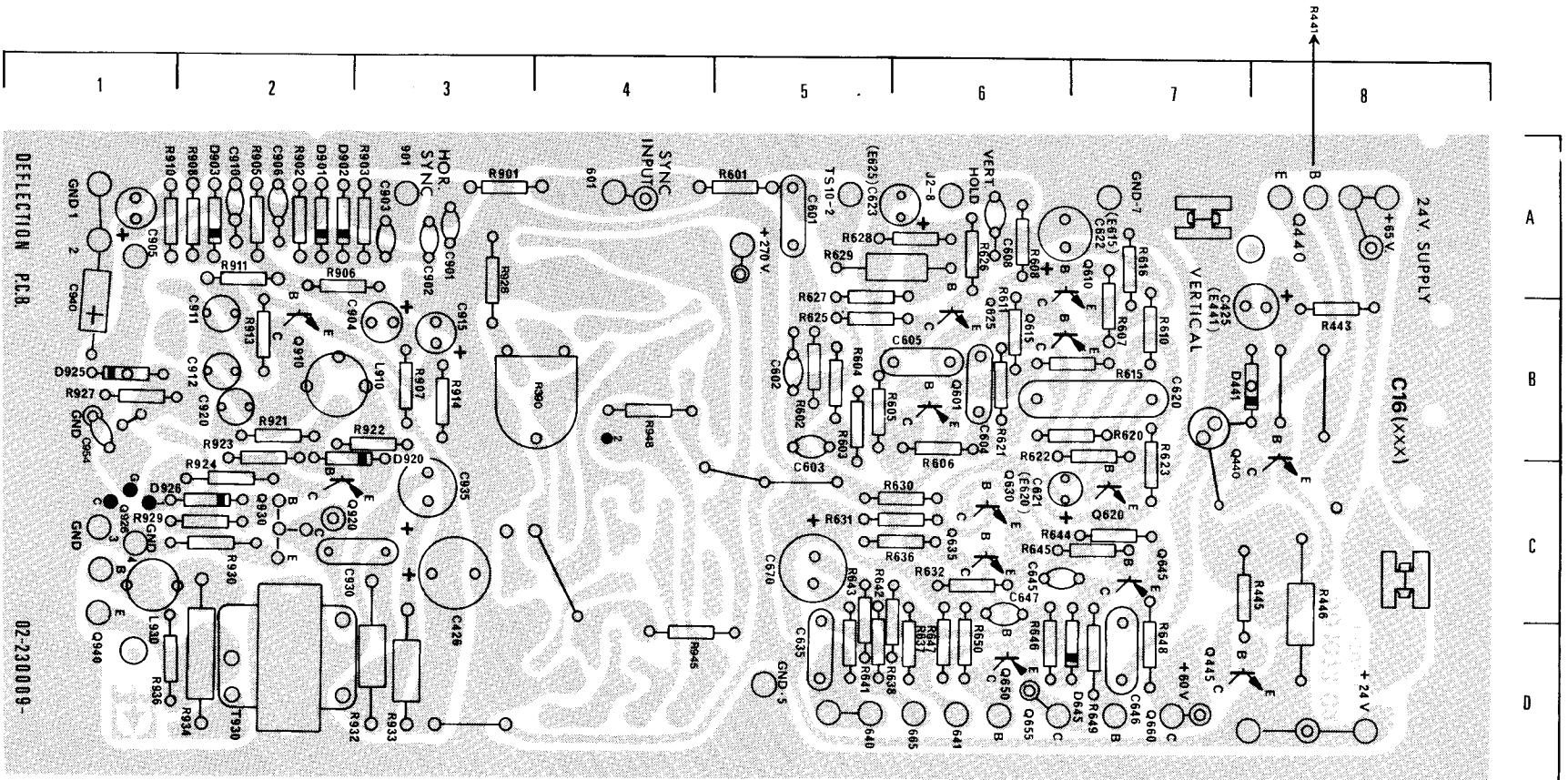


Figure 16

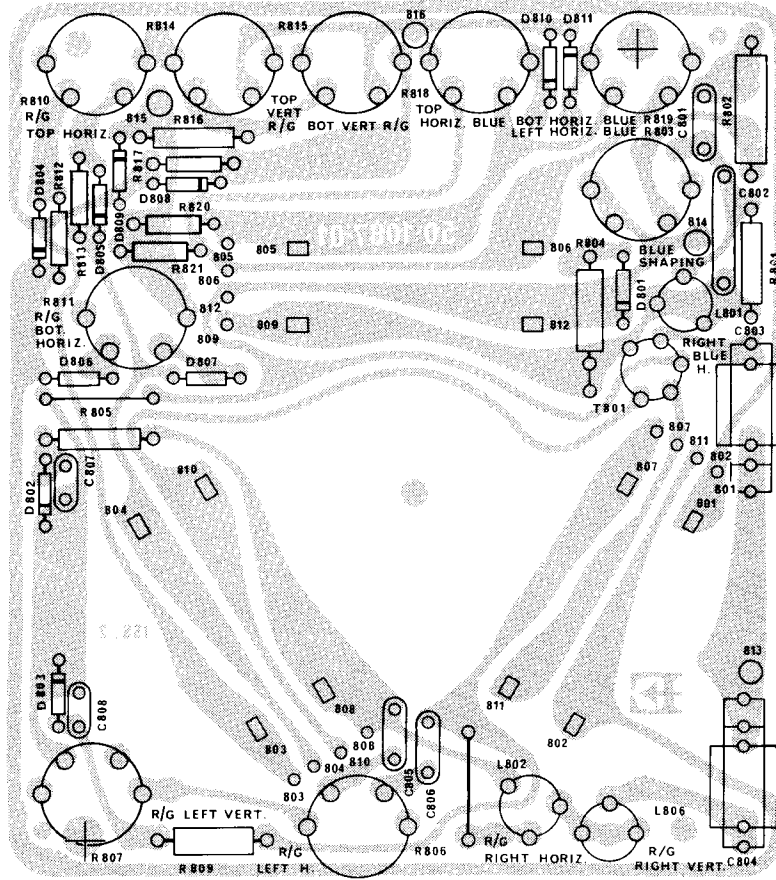
DEFLECTION P.C. BOARD (TOP VIEW)



50-1073-01 sheet 4 of 7
 50-1073-02 sheet 2 of 6
 MODIFIED

Figure 17

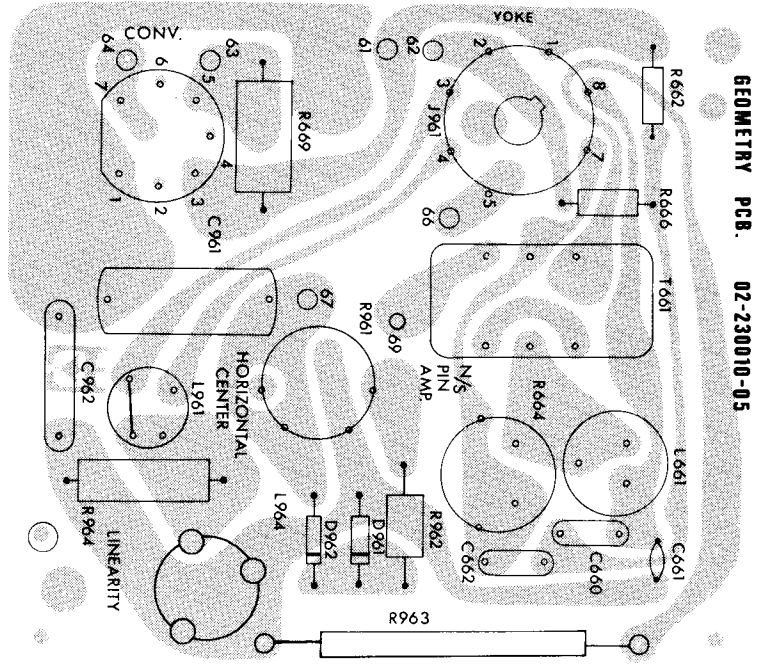
CONVERGENCE P.C. BOARD (TOP VIEW)



50-1087-01
sheet 2 of 5 Issue 2
sheet 4 of 5 Issue 1

Figure 18

GEOMETRY CORRECTION P.C. BOARD (TOP VIEW)



50-1075-03
sheet 2 of 5
sheet 4 of 5

Figure 19

VIDEO OUTPUT P.C. BOARD

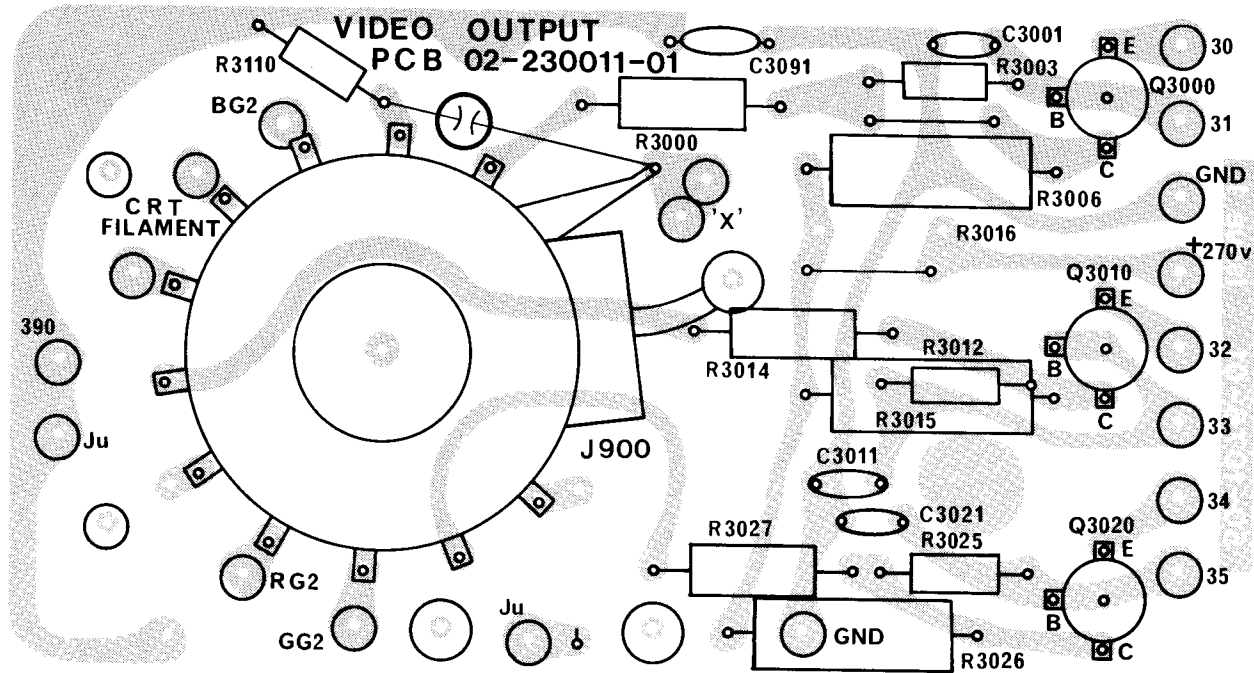
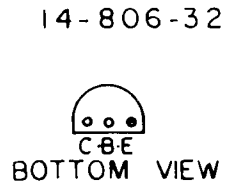
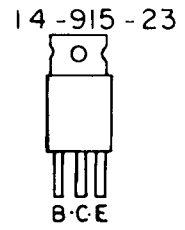
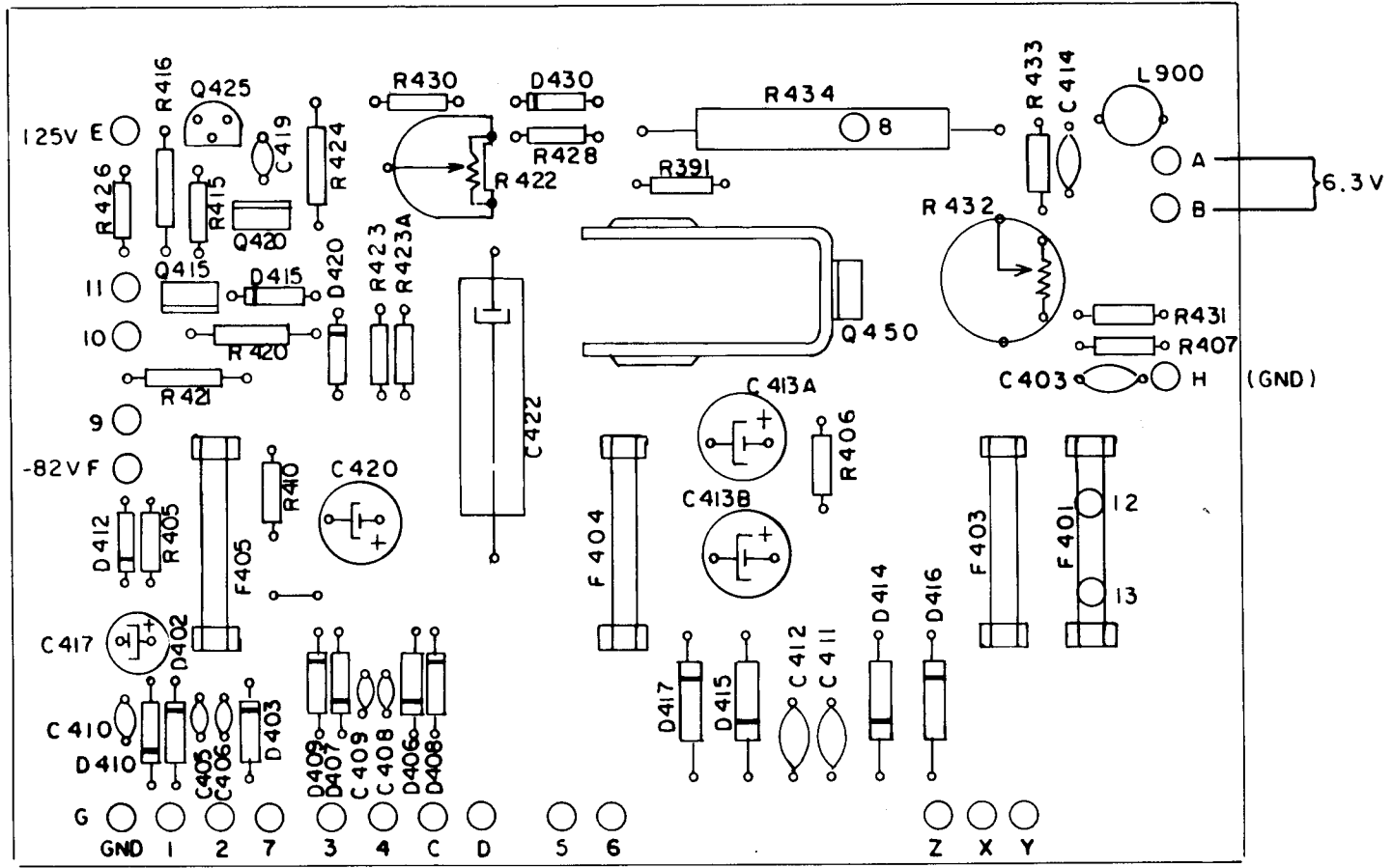


Figure 20

50-1076-01
MODIFIED

POWER SUPPLY P.C. BOARD



50-1581-01
Issue 1

Figure 21

G02 MONITOR CIRCUIT DRAWING

Electrohome's Model G02 color data monitor has been developed specifically to meet stringent color display requirements of the video games industry.

In order to meet the various input signal requirements of our customers, this monitor has been produced with a chassis containing interchangeable interface circuitry capability. The following circuitry drawing package reflects this capability in that it contains circuits for six of the interface combinations that have been produced to date.

As additional circuits are developed their schematics will be made available through Electrohome's parts distribution facilities.

Customer inquiries concerning additional interface capabilities should be directed to Electrohome's OEM Contracts Manager at the following address.

ELECTROHOME Limited
809 Wellington Street, North
Kitchener, Ontario
Canada N2G 4J6

ALWAYS ORDER PARTS BY PART NUMBER, TO ENSURE
FAST DELIVERY AND CORRECT REPLACEMENT


U.S.A. CUSTOMERS:

Service (U.S.A.) Electrohome
192 Wales Avenue
Tonawanda, New York 14150
Telephone: (716) 694-3332

CANADIAN CUSTOMERS:

Service Electrohome
809 Wellington Street North
Kitchener, Ontario N2G 4J6
Telephone: (519) 744-7111
Telex: 069-5120

IMPORTANT SAFETY NOTICE

Components identified by the shaded areas in the parts list and the  symbol on the schematic have special characteristics for safety.

These critical safety components are designed to "fail safe" under abnormal conditions. The failure of any one component often causes stress in other components which could lead to smoke or fire or other hazards. Because of this, components are selected and tested under actual fault conditions to ensure safe operation. Replacement with anything other than the identical Electrohome part may present a hazard.

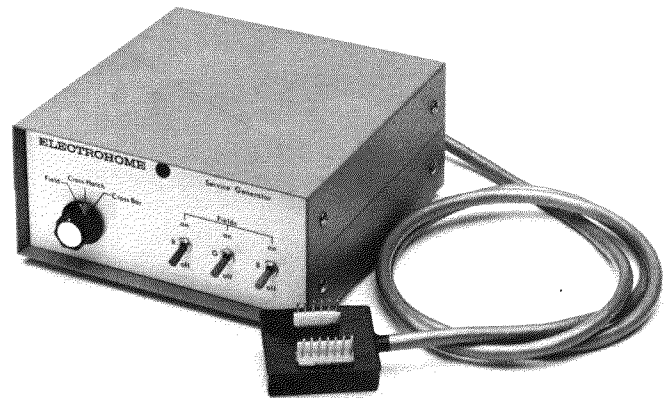
COLOR SERVICE GENERATOR FOR G02 MONITOR

Electrohome has developed a color service generator that is specifically designed for use with the G02 color data monitor. The generator derives its power to operate directly from the monitor. It provides the monitor with both horizontal and vertical sync, as well as the following test patterns:

- 1) Fine cross-hatch pattern
- 2) Broad bar cross-hatch pattern
- 3) Complete field

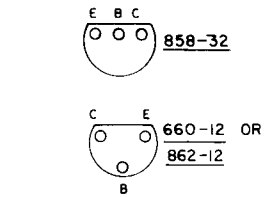
Three color selection switches red, green and blue provide the ability to display the above patterns in the three primary colors as well as the three secondary colors.

This product may be ordered from:
OEM Contracts Manager
ELECTROHOME Limited
809 Wellington St. North
Kitchener, Ontario
Canada N2G 4J6
Telephone: (519) 744-7111

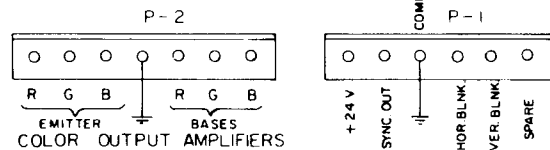
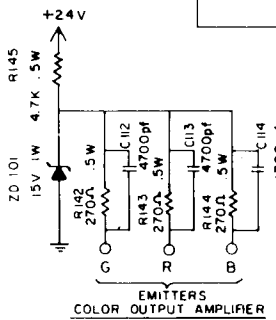
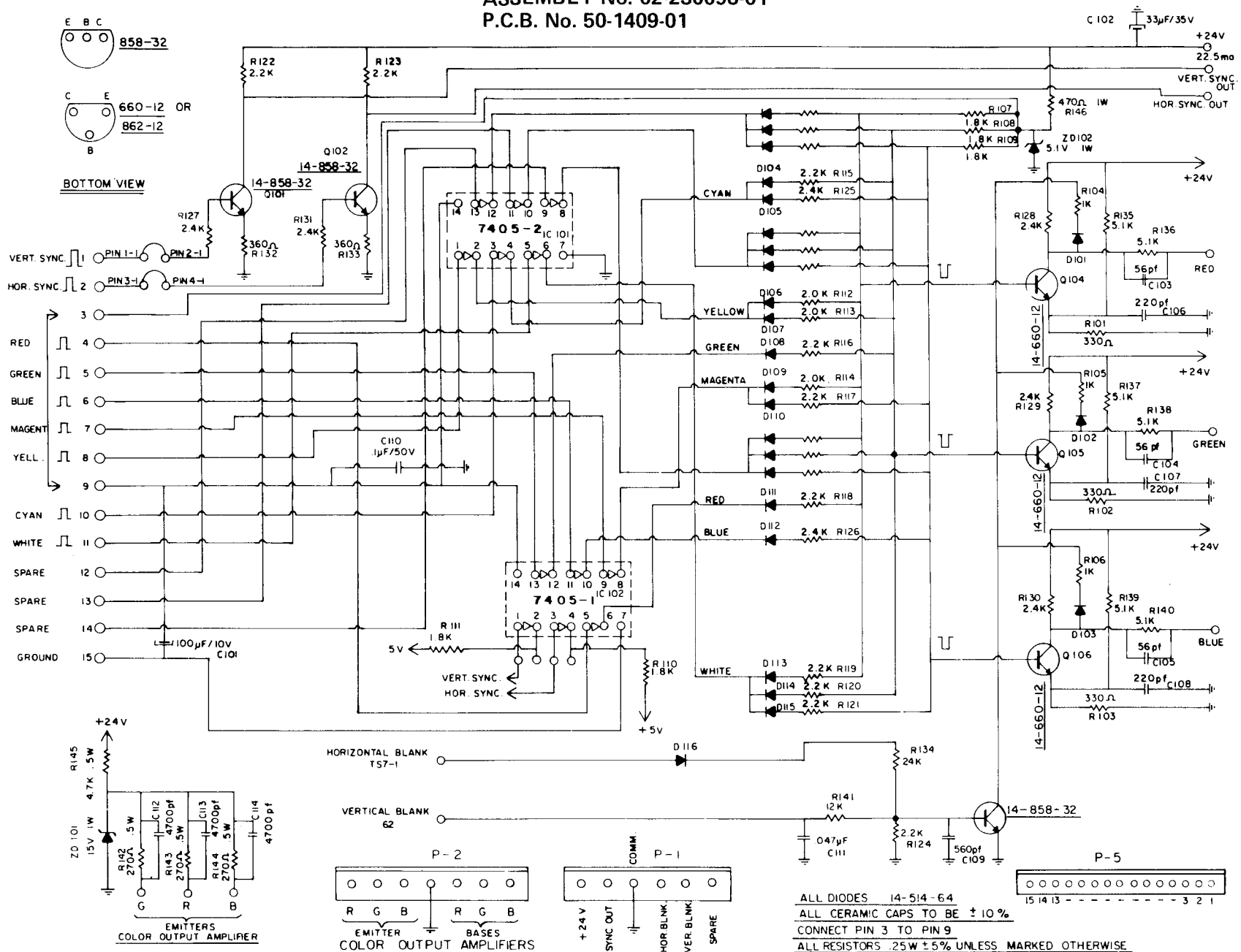


STANDARD T.T.L. BINERY INPUT P.C.B.

ASSEMBLY No. 02-230098-01
P.C.B. No. 50-1409-01



BOTTOM VIEW



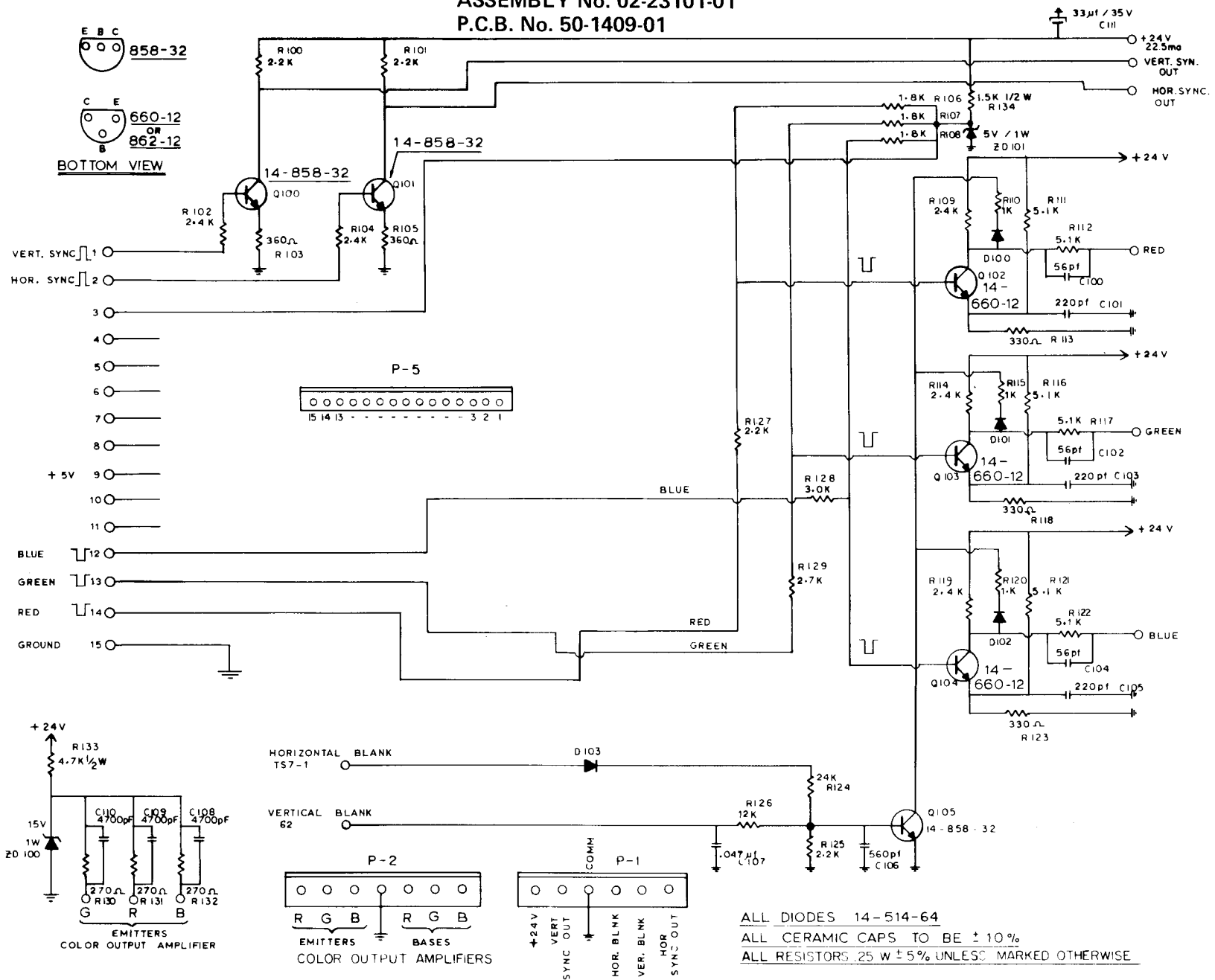
ALL DIODES 14-514-64
 ALL CERAMIC CAPS TO BE ± 10%
 CONNECT PIN 3 TO PIN 9
 ALL RESISTORS .25W ± 5% UNLESS MARKED OTHERWISE

SERVICE REPLACEMENT PARTS LIST

SYMBOL	DESCRIPTION	PART NUMBER	REMARKS	SYMBOL	DESCRIPTION	PART NUMBER	REMARKS
C101	100uF 10V Elect.	44-110104-05		R128	2K4 .25W 5% Resistor	40-122425-11	
C102	33uF 35V Elect.	44-333005-12		R129	2K4 .25W 5% Resistor	40-122425-11	
C103	56pF Z5P 10% 500V	46-356013-01		R130	2K4 .25W 5% Resistor	40-122425-11	
C104	56pF Z5P 10% 500V	46-356013-01		R131	2K4 .25W 5% Resistor	40-122425-11	
C105	56pF Z5P 10% 500V	46-356013-01		R132	360R .25W 5% Resistor	40-123615-11	
C106	220pF Z5P 10% 500V	46-322113-01		R133	360R .25W 5% Resistor	40-123615-11	
C107	220pF Z5P 10% 500V	46-322113-01		R134	24K .25W 5% Resistor	40-122535-11	
C108	220pF Z5P 10% 500V	46-322113-01		R135	5K1 .25W 5% Resistor	40-125125-11	
C109	560pF 10% 1000V	46-556111-30		R136	5K1 .25W 5% Resistor	40-125125-11	
C110	100nF Z5V 20+80% 50V	46-310468-57		R137	5K1 .25W 5% Resistor	40-125125-11	
C111	47nF 10% 200V	48-174732-62		R138	5K1 .25W 5% Resistor	40-125125-11	
C112	4.7nF 10% 100V	48-174721-62		R139	5K1 .25W 5% Resistor	40-125125-11	
C113	4.7nF 10% 100V	48-174721-62		R140	5K1 .25W 5% Resistor	40-125125-11	
C114	4.7nF 10% 100V	48-174721-62		R141	12K .25W 5% Resistor	40-121235-11	
D101	Diode Signal	14-000514-64	T1 1N4148-1N914	R142	270R .5W 5% Resistor	40-222715-11	
D102	Diode Signal	14-000514-64	T1 1N4148-1N914	R143	270R .5W 5% Resistor	40-222715-11	
D103	Diode Signal	14-000514-64	T1 1N4148-1N914	R144	270R .5W 5% Resistor	40-222715-11	
D104	Diode Signal	14-000514-64	T1 1N4148-1N914	R145	4K7 .5W 5% Resistor	40-224725-11	
D105	Diode Signal	14-000514-64	T1 1N4148-1N914	R146	470R 1W 5% Resistor	40-424715-11	
D106	Diode Signal	14-000514-64	T1 1N4148-1N914	IC101	7404 Hex Inverter	14-002031-01	7407
D107	Diode Signal	14-000514-64	T1 1N4148-1N914	IC102	7404 Hex Inverter	14-002031-01	7404
D108	Diode Signal	14-000514-64	T1 1N4148-1N914	ZD101	Zener Diode 15V .5W 5%	14-000515-53	
D109	Diode Signal	14-000514-64	T1 1N4148-1N914	ZD102	Zener Diode 5.1V .4W 5%	14-000515-44	
D110	Diode Signal	14-000514-64	T1 1N4148-1N914				
D111	Diode Signal	14-000514-64	T1 1N4148-1N914				
D112	Diode Signal	14-000514-64	T1 1N4148-1N914				
D113	Diode Signal	14-000514-64	T1 1N4148-1N914				
D114	Diode Signal	14-000514-64	T1 1N4148-1N914				
D115	Diode Signal	14-000514-64	T1 1N4148-1N914				
D116	Diode Signal	14-000514-64	T1 1N4148-1N914				
Q101	Small Sig. Trans. 200MW 50V	14-000858-32					
Q102	Small Sig. Trans. 200MW 50V	14-000858-32					
Q103	Small Sig. Trans. 300MW 50V	14-000585-32					
Q104	High Freq. Trans. 250MW 30V	14-000660-12					
Q105	High Freq. Trans. 250MW 30V	14-000660-12					
Q106	High Freq. Trans. 250MW 30V	14-000660-12					
R101	330R .25W 5% Resistor	40-123315-11					
R102	330R .25W 5% Resistor	40-123315-11					
R103	330R .25W 5% Resistor	40-123315-11					
R104	1K .25W 5% Resistor	40-121025-11					
R105	1K .25W 5% Resistor	40-121025-11					
R106	1K .25W 5% Resistor	40-121025-11					
R107	1K8 .25W 5% Resistor	40-121825-11					
R108	1K8 .25W 5% Resistor	40-121825-11					
R109	1K8 .25W 5% Resistor	40-121825-11					
R110	1K8 .25W 5% Resistor	40-121825-11					
R111	1K8 .25W 5% Resistor	40-121825-11					
R112	2K .25W 5% Resistor	40-122025-11					
R113	2K .25W 5% Resistor	40-122025-11					
R114	2K .25W 5% Resistor	40-122025-11					
R115	2K2 .25W 5% Resistor	40-122225-11					
R116	2K2 .25W 5% Resistor	40-122225-11					
R117	2K2 .25W 5% Resistor	40-122225-11					
R118	2K2 .25W 5% Resistor	40-122225-11					
R119	2K2 .25W 5% Resistor	40-122225-11					
R120	2K2 .25W 5% Resistor	40-122225-11					
R121	2K2 .25W 5% Resistor	40-122225-11					
R122	2K2 .25W 5% Resistor	40-122225-11					
R123	2K2 .25W 5% Resistor	40-122225-11					
R124	2K2 .25W 5% Resistor	40-122225-11					
R125	2K4 .25W 5% Resistor	40-122425-11					
R126	2K4 .25W 5% Resistor	40-122425-11					
R127	2K4 .25W 5% Resistor	40-122425-11					

FORTUNE COIN CO. INTERFACE T.T.L. P.C.B.

ASSEMBLY No. 02-23101-01
P.C.B. No. 50-1409-01



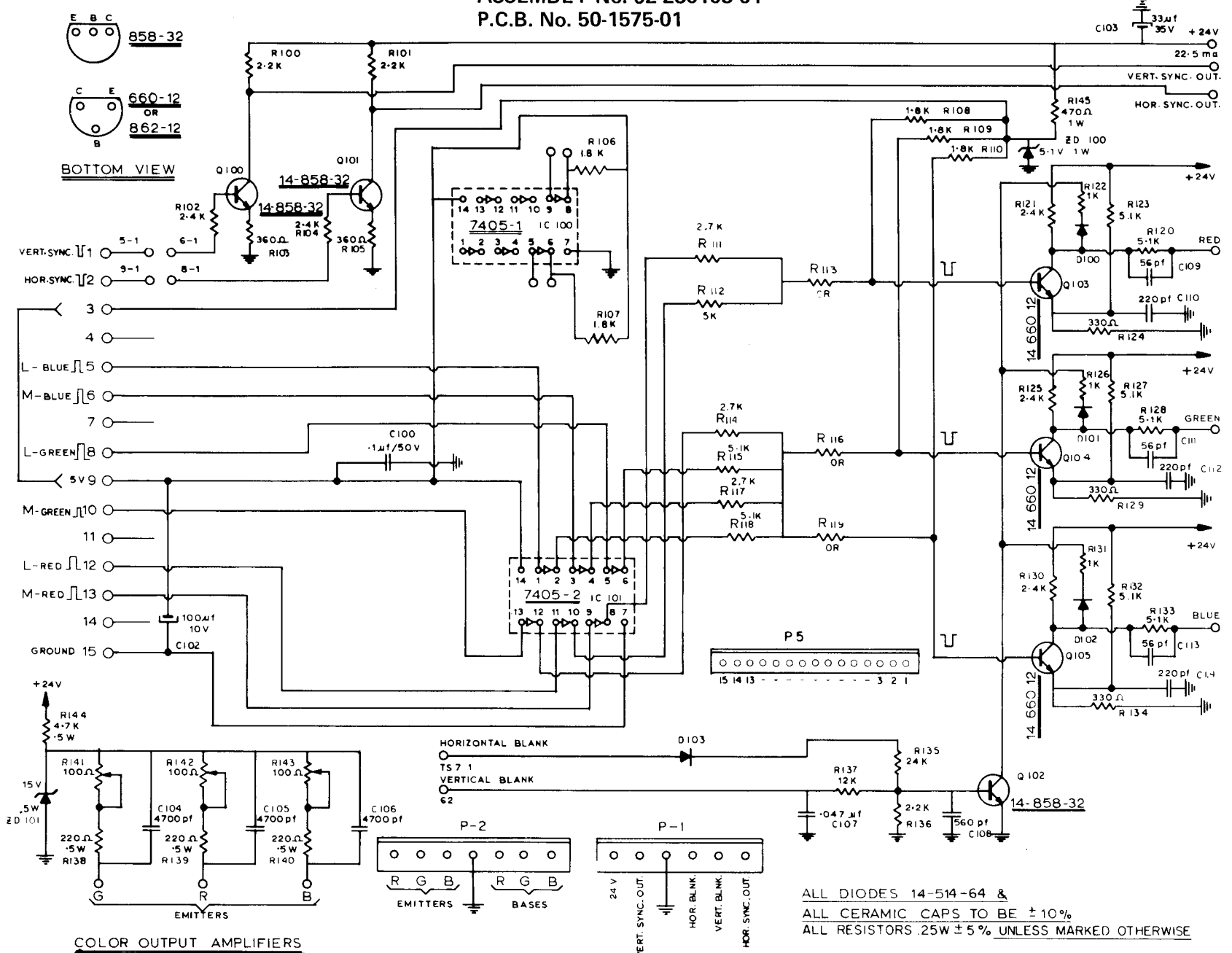
ALL DIODES 14-514-64
ALL CERAMIC CAPS TO BE ± 10%
ALL RESISTORS .25 W ± 5% UNLESS MARKED OTHERWISE

SERVICE REPLACEMENT PARTS LIST

SYMBOL	DESCRIPTION	PART NUMBER	REMARKS	SYMBOL	DESCRIPTION	PART NUMBER	REMARKS
C100	56pF Z5P 10% 500V	46-356013-01					
C101	220pF Z5P 10% 500V	46-322113-01					
C102	56pF Z5P 10% 500V	46-356013-01					
C103	220pF Z5P 10% 500V	46-322113-01					
C104	56pF Z5P 10% 500V	46-356013-01					
C105	220pF Z5P 10% 500V	46-322113-01					
C106	560pF 10% 1000V	46-556111-30					
C107	47nF 10% 200V	48-174732-62					
C108	4700pF	48-174721-62					
C109	4700pF	48-174721-62					
C110	4700pF	48-174721-62					
C111	33uF 35V Elect.	44-333005-12					
D100	Diode Signal	14-000514-64	T1 1N4148-1N914				
D101	Diode Signal	14-000514-64	T1 1N4148-1N914				
D102	Diode Signal	14-000514-64	T1 1N4148-1N914				
D103	Diode Signal	14-000514-64	T1 1N4148-1N914				
Q100	Small Sig. Trans 300MW 50V	14-000858-32					
Q101	Small Sig. Trans 300MW 50V	14-000858-32					
Q102	High Freq. Trans. 250MW 30V	14-000660-12					
Q103	High Freq. Trans. 250MW 30V	14-000660-12					
Q104	High Freq. Trans. 250MW 30V	14-000660-12					
Q105	Small Sig. Trans. 300MW 50V	14-000858-32					
R100	2K2 .25W 5% Resistor	40-122225-11					
R101	2K2 .25W 5% Resistor	40-122225-11					
R102	2K4 .25W 5% Resistor	40-122425-11					
R103	360R .25W 5% Resistor	40-123615-11					
R104	2K4 .25W 5% Resistor	40-122425-11					
R105	360R .25W 5% Resistor	40-123615-11					
R106	1K8 .25W 5% Resistor	40-121825-11					
R107	1K8 .25W 5% Resistor	40-121825-11					
R108	1K8 .25W 5% Resistor	40-121825-11					
R109	2K4 .25W 5% Resistor	40-122425-11					
R110	1K .25W 5% Resistor	40-121025-11					
R111	5K1 .25W 5% Resistor	40-125125-11					
R112	5K1 .25W 5% Resistor	40-125125-11					
R113	330R .25W 5% Resistor	40-123315-11					
R114	2K4 .25W 5% Resistor	40-122425-11					
R115	1K .25W 5% Resistor	40-121025-11					
R116	5K1 .25W 5% Resistor	40-125125-11					
R117	5K1 .25W 5% Resistor	40-125125-11					
R118	330R .25W 5% Resistor	40-123315-11					
R119	2K4 .25W 5% Resistor	40-122425-11					
R120	1K .25W 5% Resistor	40-121025-11					
R121	5K1 .25W 5% Resistor	40-125125-11					
R122	5K1 .25W 5% Resistor	40-125125-11					
R123	330R .25W 5% Resistor	40-123315-11					
R124	24K .25W 5% Resistor	40-122435-11					
R125	2K2 .25W 5% Resistor	40-122225-11					
R126	12K .25W 5% Resistor	40-121235-11					
R127	2K2 .25W 5% Resistor	40-122225-11					
R128	3K .25W 5% Resistor	40-123025-11					
R129	2K7 .25W 5% Resistor	40-122725-11					
R130	270R .5W 5% Resistor	40-222715-11					
R131	270R .5W 5% Resistor	40-222715-11					
R132	270R .5W 5% Resistor	40-222715-11					
R133	4K7 .5W 5% Resistor	40-224725-11					
R134	1K5 .5W 5% Resistor	40-221525-11					
ZD100	Zener Diode 15V 1W 5%	14-000515-53					
ZD101	Zener Diode 5.1V .4W 5%	14-000514-44					

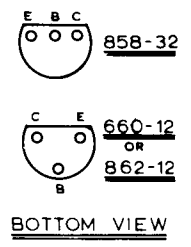
COLOR MONITOR INTERFACE P.C.B. - EXIDY

ASSEMBLY No. 02-230103-01
P.C.B. No. 50-1575-01



ALL DIODES 14-514-64 &
ALL CERAMIC CAPS TO BE ± 10%
ALL RESISTORS .25W ± 5% UNLESS MARKED OTHERWISE

COLOR OUTPUT AMPLIFIERS

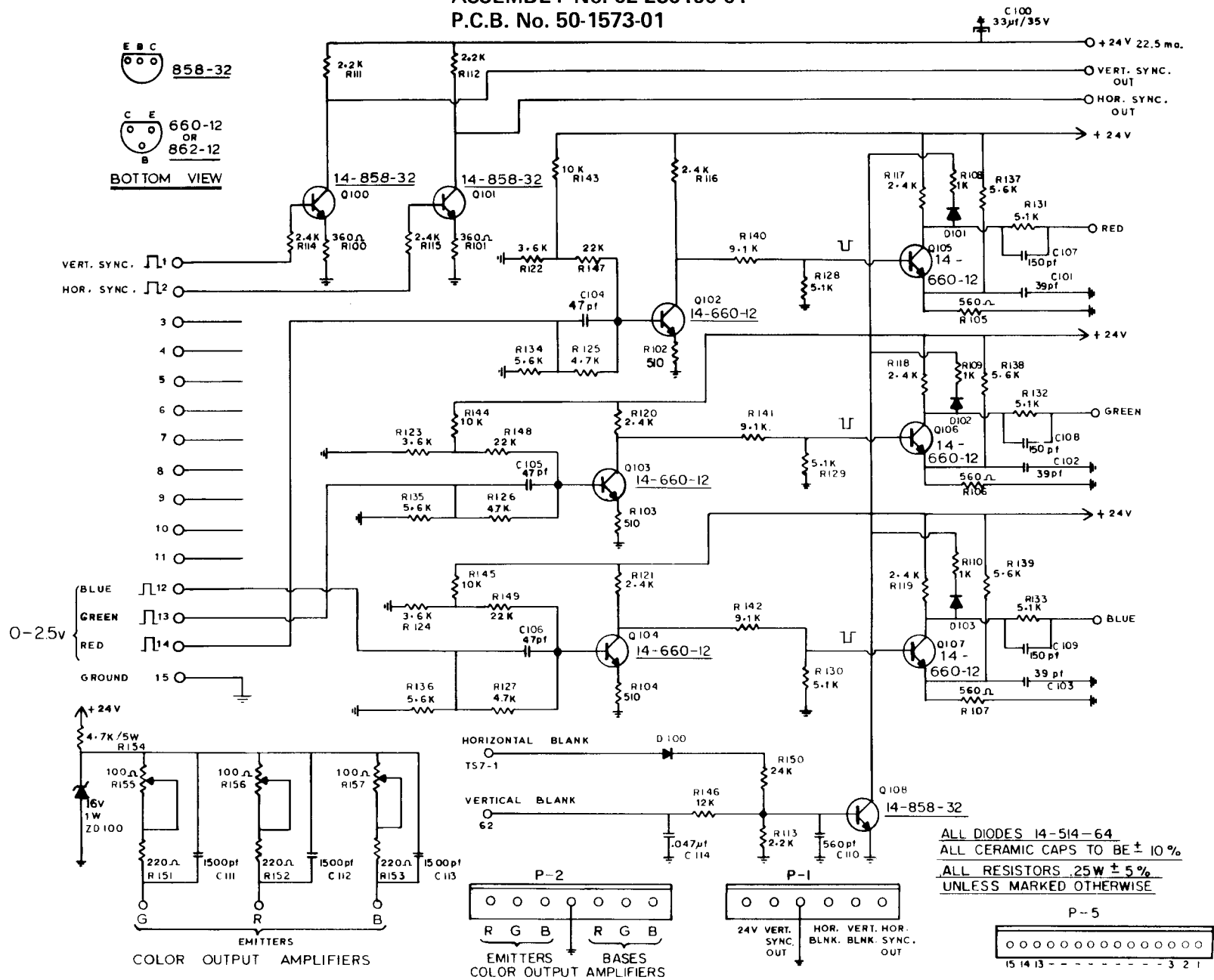


SERVICE REPLACEMENT PARTS LIST

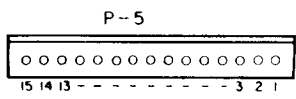
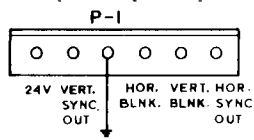
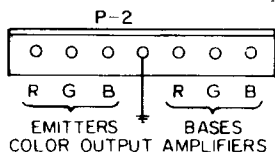
SYMBOL	DESCRIPTION	PART NUMBER	REMARKS	SYMBOL	DESCRIPTION	PART NUMBER	REMARKS
C100	100nF 25V 20+80% 50V	46-310468-57		R135	24K .25W 5% Resistor	40-122435-11	
C101				R136	2K2 .25W 5% Resistor	40-122225-11	
C102	100uF 10V Elect.	44-110104-05		R137	12K .25W 5% Resistor	40-121235-11	
C103	33uF 35V Elect.	44-333005-12		R138	220R .5W 5% Resistor	40-222215-11	
C104	4.7nF 10% 100V	48-174721-62		R139	220R .5W 5% Resistor	40-222215-11	
C105	4.7nF 10% 100V	48-174721-62		R140	220R .5W 5% Resistor	40-222215-11	
C106	4.7nF 10% 100V	48-174721-62		R141	Carbon Trim Pot 100R 20%	41-000265-17	
C107	47nF 10% 200V	48-174732-62		R142	Carbon Trim Pot 100R 20%	41-000265-17	
C108	560pF 10% 1000V	46-556111-30		R143	Carbon Trim Pot 100R 20%	41-000265-17	
C109	56pF Z5P 10% 500V	46-356013-01		R144	4K7 .5W 5% Resistor	40-224725-11	
C110	220pF Z5P 10% 500V	46-322113-01		R145	470R 1W 5% Resistor	40-424715-11	
C111	56pF Z5P 10% 500V	46-356013-01		ZD100	Zener Diode 5.1V .4W	14-000515-44	
C112	220pF Z5P 10% 500V	46-322113-01		ZD101	Zener Diode 15V .5W	14-000515-53	
C113	56pF Z5P 10% 500V	46-356013-01					
C114	220pF Z5P 10% 500V	46-322113-01					
D100	Diode Signal	14-000514-64					
D101	Diode Signal	14-000514-64					
D102	Diode Signal	14-000514-64					
D103	Diode Signal	14-000514-64					
IC100	7405 Hex Inverter	14-002031-01	7405				
IC101	7405 Hex Inverter	14-002031-01	7405				
Q100	Small Sig. Trans. 300MW 50V	14-000858-32					
Q101	Small Sig. Trans. 300MW 50V	14-000858-32					
Q102	Small Sig. Trans. 300MW 50V	14-000858-32					
Q103	High Freq. Trans. 250MW 30V	14-000660-12					
Q104	High Freq. Trans. 250MW 30V	14-000660-12					
Q105	High Freq. Trans. 250MW 30V	14-000660-12					
R100	2K2 .25W 5% Resistor	40-122225-11					
R101	2K2 .25W 5% Resistor	40-122225-11					
R102	2K4 .25W 5% Resistor	40-122425-11					
R103	360R .25W 5% Resistor	40-123615-11					
R104	2K4 .25W 5% Resistor	40-122425-11					
R105	360R .25W 5% Resistor	40-123615-11					
R106	1K8 .25W 5% Resistor	40-121825-11					
R107	1K8 .25W 5% Resistor	40-121825-11					
R108	1K8 .25W 5% Resistor	40-121825-11					
R109	1K8 .25W 5% Resistor	40-121825-11					
R110	1K8 .25W 5% Resistor	40-121825-11					
R111	2K7 .25W 5% Resistor	40-122725-11					
R112	5K1 .25W 5% Resistor	40-125125-11					
R113	OR						
R114	2K7 .25W 5% Resistor	40-122725-11					
R115	5K1 .25W 5% Resistor	40-125125-11					
R116	OR						
R117	2K7 .25W 5% Resistor	40-122725-11					
R118	5K1 .25W 5% Resistor	40-125125-11					
R119	OR						
R120	5K1 .25W 5% Resistor	40-125125-11					
R121	2K4 .25W 5% Resistor	40-122425-11					
R122	1K .25W 5% Resistor	40-121025-11					
R123	5K1 .25W 5% Resistor	40-125125-11					
R124	330R .25W 5% Resistor	40-123315-11					
R125	2K4 .25W 5% Resistor	40-122425-11					
R126	1K .25W 5% Resistor	40-121025-11					
R127	5K1 .25W 5% Resistor	40-125125-11					
R128	5K1 .25W 5% Resistor	40-125125-11					
R129	330R .25W 5% Resistor	40-123315-11					
R130	2K4 .25W 5% Resistor	40-122425-11					
R131	1K .25W 5% Resistor	40-121025-11					
R132	5K1 .25W 5% Resistor	40-125125-11					
R133	5K1 .25W 5% Resistor	40-125125-11					
R134	330R .25W 5% Resistor	40-123315-11					

MIDWAY ANALOG COLOR MONITOR INTERFACE

ASSEMBLY No. 02-230100-01
P.C.B. No. 50-1573-01



ALL DIODES 14-514-64
 ALL CERAMIC CAPS TO BE ± 10%
 ALL RESISTORS .25W ± 5%
 UNLESS MARKED OTHERWISE

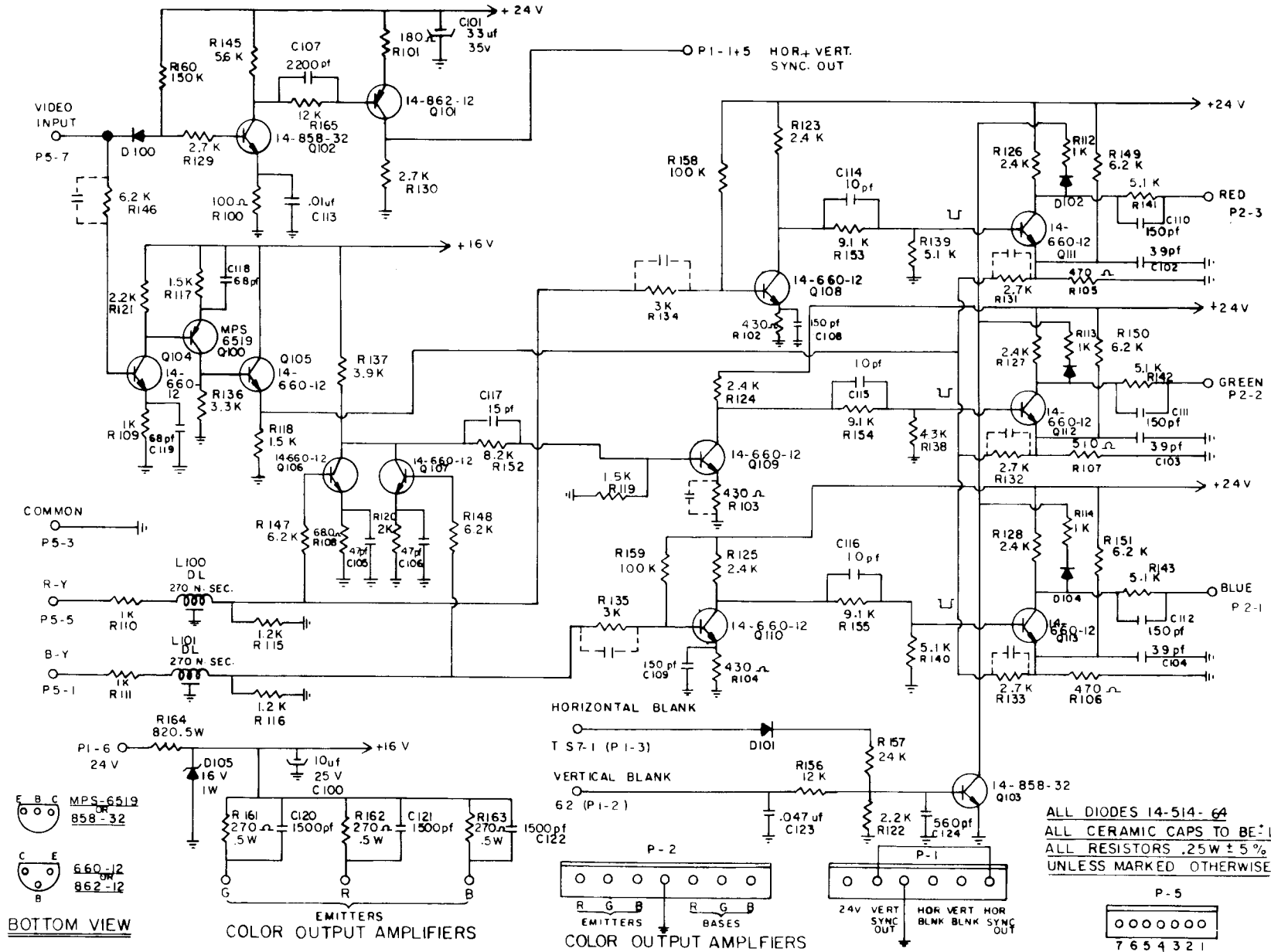


SERVICE REPLACEMENT PARTS LIST

SYMBOL	DESCRIPTION	PART NUMBER	REMARKS	SYMBOL	DESCRIPTION	PART NUMBER	REMARKS
C100	33uF 35V Elect.	44-333005-12		R135	5K6 .25W 5% Resistor	40-125625-11	
C101	39pF 10% N150 50V	46-439011-05		R136	5K6 .25W 5% Resistor	40-125625-11	
C102	39pF 10% N150 50V	46-439011-05		R137	5K6 .25W 5% Resistor	40-125625-11	
C103	39pF 10% N150 50V	46-439011-05		R138	5K6 .25W 5% Resistor	40-125625-11	
C104	47pF Z5P 10% 500V	46-347013-02		R139	5K6 .25W 5% Resistor	40-125625-11	
C105	47pF Z5P 10% 500V	46-347013-02		R140	9K1 .25W 5% Resistor	40-129125-11	
C106	47pF Z5P 10% 500V	46-347013-02		R141	9K1 .25W 5% Resistor	40-129125-11	
C107	150pF Z5P 10% 500V	46-315113-02		R142	9K1 .25W 5% Resistor	40-129125-11	
C108	150-F Z5P 10% 500V	46-315113-02		R143	10K .25W 5% Resistor	40-121035-11	
C109	150pF Z5P 10% 500V	46-315113-02		R144	10K .25W 5% Resistor	40-121035-11	
C110	560pF Z5P 10% 500V	46-356113-02		R145	10K .25W 5% Resistor	40-121035-11	
C111	1.5nF Z5P 10% 50V	46-315213-51		R146	12K .25W 5% Resistor	40-121235-11	
C112	1.5nF Z5P 10% 50V	46-315213-51		R147	22K .25W 5% Resistor	40-122235-11	
C113	1.5nF Z5P 10% 50V	46-315213-51		R148	22K .25W 5% Resistor	40-122235-11	
C114	47nF 10% 200V	48-174732-62		R149	22K .25W 5% Resistor	40-122235-11	
D100	Diode Signal	14-000514-64		R150	24K .25W 5% Resistor	40-122435-11	
D101	Diode Signal	14-000514-64		R151	220R .5W 5% Resistor	40-222215-11	
D102	Diode Signal	14-000514-64		R152	220R .5W 5% Resistor	40-222215-11	
D103	Diode Signal	14-000514-64		R153	220R .5W 5% Resistor	40-222215-11	
Q100	High Freq. Trans. 250MW 30W	14-000660-12		R154	4K7 .5W 5% Resistor	40-224725-11	
Q101	High Freq. Trans. 250MW 30W	14-000660-12		R155	Carbon Trim Pot 100R 20%	41-000265-17	
Q102	High Freq. Trans. 250MW 30W	14-000660-12		R156	Carbon Trim Pot 100R 20%	41-000265-17	
Q103	High Freq. Trans. 250MW 30W	14-000660-12		R157	Carbon Trim Pot 100R 20%	41-000265-17	
Q104	High Freq. Trans. 250MW 30W	14-000660-12		ZD100	Zener Diode 16V .5W	14-000515-65	
Q105	High Freq. Trans. 250MW 30W	14-000660-12					
Q106	Small Sig. Trans. 300MW 50V	14-000858-32					
Q107	Small Sig. Trans. 300MW 50V	14-000858-32					
Q108	Small Sig. Trans. 300MW 50V	14-000858-32					
R100	360R .25W 5% Resistor	40-123615-11					
R101	360R .25W 5% Resistor	40-123615-11					
R102	510R .25W 5% Resistor	40-125115-11					
R103	510R .25W 5% Resistor	40-125115-11					
R104	510R .25W 5% Resistor	40-125115-11					
R105	560R .25W 5% Resistor	40-125615-11					
R106	560R .25W 5% Resistor	40-125615-11					
R107	560R .25W 5% Resistor	40-125615-11					
R108	1K .25W 5% Resistor	40-121025-11					
R109	1K .25W 5% Resistor	40-121025-11					
R110	1K .25W 5% Resistor	40-121025-11					
R111	2K2 .25W 5% Resistor	40-122225-11					
R112	2K2 .25W 5% Resistor	40-122225-11					
R113	2K2 .25W 5% Resistor	40-122225-11					
R114	2K4 .25W 5% Resistor	40-122425-11					
R115	2K4 .25W 5% Resistor	40-122425-11					
R116	2K4 .25W 5% Resistor	40-122425-11					
R117	2K4 .25W 5% Resistor	40-122425-11					
R118	2K4 .25W 5% Resistor	40-122425-11					
R119	2K4 .25W 5% Resistor	40-122425-11					
R120	2K4 .25W 5% Resistor	40-122425-11					
R121	2K4 .25W 5% Resistor	40-122425-11					
R122	3K6 .25W 5% Resistor	40-123625-11					
R123	3K6 .25W 5% Resistor	40-123625-11					
R124	3K6 .25W 5% Resistor	40-123625-11					
R125	4K7 .25W 5% Resistor	40-124725-11					
R126	4K7 .25W 5% Resistor	40-124725-11					
R127	4K7 .25W 5% Resistor	40-124725-11					
R128	5K1 .25W 5% Resistor	40-125125-11					
R129	5K1 .25W 5% Resistor	40-125125-11					
R130	5K1 .25W 5% Resistor	40-125125-11					
R131	5K1 .25W 5% Resistor	40-125125-11					
R132	5K1 .25W 5% Resistor	40-125125-11					
R133	5K1 .25W 5% Resistor	40-125125-11					
R134	5K6 .25W 5% Resistor	40-125625-11					

MIDWAY COLOR DIFFERENCE INTERFACE

ASSEMBLY No. 02-230104-01
P.C.B. No. 50-1577-01



BOTTOM VIEW

EMITTERS
COLOR OUTPUT AMPLIFIERS

EMITTERS BASES
COLOR OUTPUT AMPLIFIERS

P-5
7 6 5 4 3 2 1

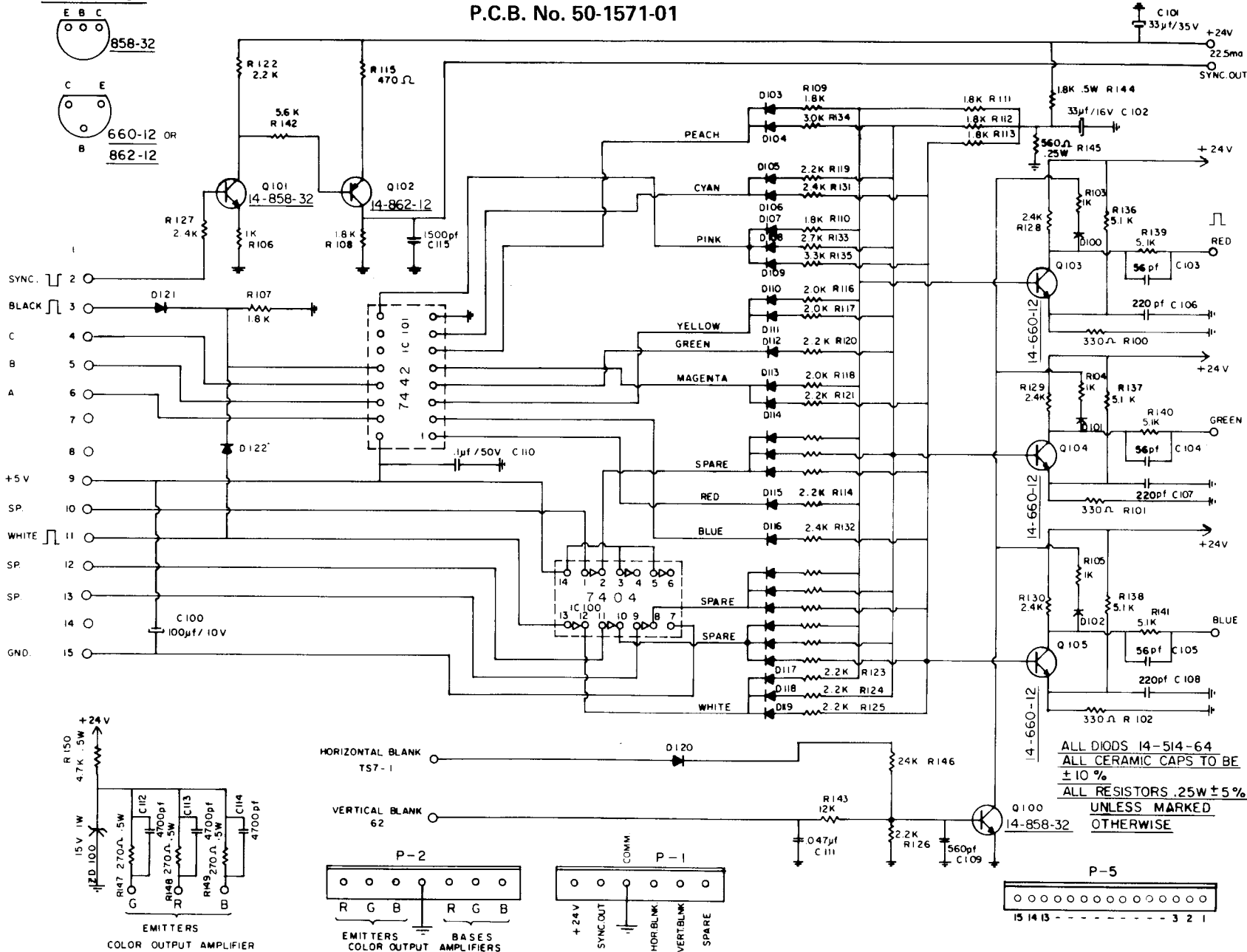
SERVICE REPLACEMENT PARTS LIST

SYMBOL	DESCRIPTION	PART NUMBER	REMARKS	SYMBOL	DESCRIPTION	PART NUMBER	REMARKS
C100	10uF 25V Elect.	44-110006-03		R117	1K5 .25W 5% Resistor	40-121525-11	
C101	33uF 35V Elect.	44-333005-12		R118	1K5 .25W 5% Resistor	40-121525-11	
C102	39pF N150 10% 50V	46-439011-05		R119	1K5 .25W 5% Resistor	40-121525-11	
C103	39pF N150 10% 50V	46-439011-05		R120	2K0 .25W 5% Resistor	40-122025-11	
C104	39pF N150 10% 50V	46-439011-05		R121	2K2 .25W 5% Resistor	40-122225-11	
C105	47pF Z5P 10% 500V	46-347013-02		R122	2K2 .25W 5% Resistor	40-122225-11	
C106	47pF Z5P 10% 500V	46-347013-02		R123	2K4 .25W 5% Resistor	40-122425-11	
C107	2200pF Z5P 10% 50V	46-322213-59		R124	2K4 .25W 5% Resistor	40-122425-11	
C108	150pF Z5P 10% 500V	46-315113-02		R125	2K4 .25W 5% Resistor	40-122425-11	
C109	150pF Z5P 10% 500V	46-315113-02		R126	2K4 .25W 5% Resistor	40-122425-11	
C110	150pF Z5P 10% 500V	46-315113-02		R127	2K4 .25W 5% Resistor	40-122425-11	
C111	150pF Z5P 10% 500V	46-315113-02		R128	2K4 .25W 5% Resistor	40-122425-11	
C112	150pF Z5P 10% 500V	46-315113-02		R129	2K7 .25W 5% Resistor	40-122725-11	
C113	100nF Z5V 20+80% 50V	46-310468-57		R130	2K7 .25W 5% Resistor	40-122725-11	
C114	10pF NPO 20% 500V	46-410010-11		R131	2K7 .25W 5% Resistor	40-122725-11	
C115	10pF NPO 10% 500V	46-410010-11		R132	2K7 .25W 5% Resistor	40-122725-11	
C116	10pF NPO 10% 500V	46-410010-11		R133	2K7 .25W 5% Resistor	40-122725-11	
C117	17pF NPO 10% 50V	46-422010-03		R134	3K0 .25W 5% Resistor	40-123025-11	
C118	68pF NPO 10% 50V	46-468010-08		R135	3K0 .25W 5% Resistor	40-123025-11	
C119	68pF NPO 10% 50V	46-468010-08		R136	3K3 .25W 5% Resistor	40-123325-11	
C120	1.5nF Z5P 10% 50V	46-315213-51		R137	3K9 .25W 5% Resistor	40-123925-11	
C121	1.5nF Z5P 10% 50V	46-315213-51		R138	4K3 .25W 5% Resistor	40-124325-11	
C122	1.5nF Z5P 10% 50V	46-315213-51		R139	5K1 .25W 5% Resistor	40-125125-11	
C123	47nF 10% 200V	48-174732-62		R140	5K1 .25W 5% Resistor	40-125125-11	
C124	560pF 10% 1000V	46-556111-30		R141	2K1 .25W 5% Resistor	40-125125-11	
D100	Diode Signal	14-000514-64	T1 1N4148-1N914	R142	5K1 .25W 5% Resistor	40-125125-11	
D101	Diode Signal	14-000514-64	T1 1N4148-1N914	R143	5K1 .25W 5% Resistor	40-125125-11	
D102	Diode Signal	14-000514-64	T1 1N4148-1N914	R144			
D103	Diode Signal	14-000514-64	T1 1N4148-1N914	R145	5K6 .25W 5% Resistor	40-125625-11	
D104	Diode Signal	14-000514-64	T1 1N4148-1N914	R146	6K2 .25W 5% Resistor	40-126225-11	
D105	Zener Diode 16V .5W	14-000515-65		R147	6K2 .25W 5% Resistor	40-126225-11	
Q100	Transistor	14-000824-32	MPS 6519	R148	6K2 .25W 5% Resistor	40-126225-11	
Q101	Small Sig. Trans. 600MW 50V	14-000862-12		R149	6K2 .25W 5% Resistor	40-126225-11	
Q102	Small Sig. Trans. 300MW 50V	14-000858-32		R150	6K2 .25W 5% Resistor	40-126225-11	
Q103	Small Sig. Trans. 300MW 50V	14-000858-32		R151	6K2 .25W 5% Resistor	40-126225-11	
Q104	High Freq. Trans. 250MW 30V	14-000660-12		R152	8K2 .25W 5% Resistor	40-128225-11	
Q105	High Freq. Trans. 250MW 30V	14-000660-12		R153	9K1 .25W 5% Resistor	40-129125-11	
Q106	High Freq. Trans. 250MW 30V	14-000660-12		R154	9K1 .25W 5% Resistor	40-129125-11	
Q107	High Freq. Trans. 250MW 30V	14-000660-12		R155	9K1 .25W 5% Resistor	40-129125-11	
Q108	High Freq. Trans. 250MW 30V	14-000660-12		R156	12K .25W 5% Resistor	40-121235-11	
Q109	High Freq. Trans. 250MW 30V	14-000660-12		R157	24K .25W 5% Resistor	40-122435-11	
Q110	High Freq. Trans. 250MW 30V	14-000660-12		R158	100K .25W 5% Resistor	40-121045-11	
Q111	High Freq. Trans. 250MW 30V	14-000660-12		R159	100K .25W 5% Resistor	40-121045-11	
Q112	High Freq. Trans. 250MW 30V	14-000660-12		R160	150K .25W 5% Resistor	40-121545-11	
Q113	High Freq. Trans. 250MW 30V	14-000660-12		R161	270R .5W 5% Resistor	40-222715-11	
R100	100R .25W 5% Resistor	40-121015-11		R162	270R .5W 5% Resistor	40-222715-11	
R101	180R .25W 5% Resistor	40-121815-11		R163	270R .5W 5% Resistor	40-222715-11	
R102	430R .25W 5% Resistor	40-124315-11		R164	820R .5W 5% Resistor	40-228215-11	
R103	430R .25W 5% Resistor	40-124315-11		R165	24K .25W 5% Resistor	40-122435-11	
R104	430R .25W 5% Resistor	40-124315-11		L100	Delay Line	21-001163-01	
R105	470R .25W 5% Resistor	40-124715-11		L101	Delay Line	21-001163-11	
R106	470R .25W 5% Resistor	40-124715-11					
R107	510R .25W 5% Resistor	40-125115-11					
R108	680R .25W 5% Resistor	40-126815-11					
R109	1K0 .25W 5% Resistor	40-121025-11					
R110	1K0 .25W 5% Resistor	40-121025-11					
R111	1K0 .25W 5% Resistor	40-121025-11					
R112	1K0 .25W 5% Resistor	40-121025-11					
R113	1K0 .25W 5% Resistor	40-121025-11					
R114	1K0 .25W 5% Resistor	40-121025-11					
R115	1K2 .25W 5% Resistor	40-121225-11					
R116	1K2 .25W 5% Resistor	40-121225-11					

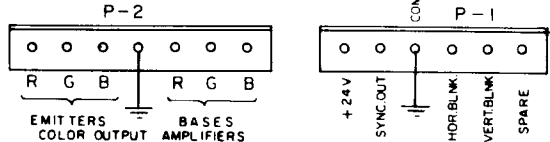
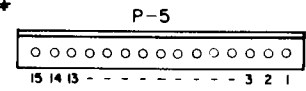
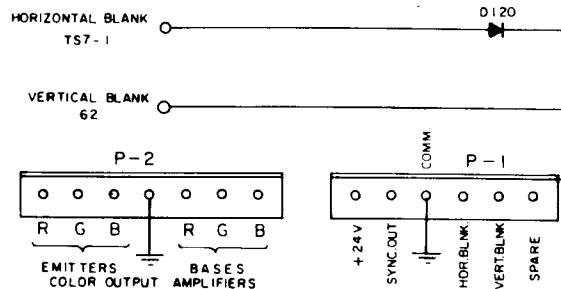
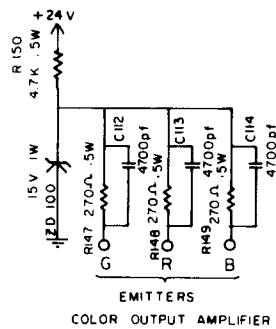
ATARI TANK T.T.L. BINARY INPUT P.C.B.

ASSEMBLY No. 02-230099-01
P.C.B. No. 50-1571-01

BOTTOM VIEW



ALL DIODES 14-514-64
ALL CERAMIC CAPS TO BE
± 10 %
ALL RESISTORS .25W ± 5 %
UNLESS MARKED
OTHERWISE

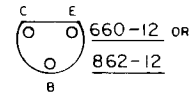
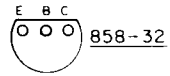


SERVICE REPLACEMENT PARTS LIST

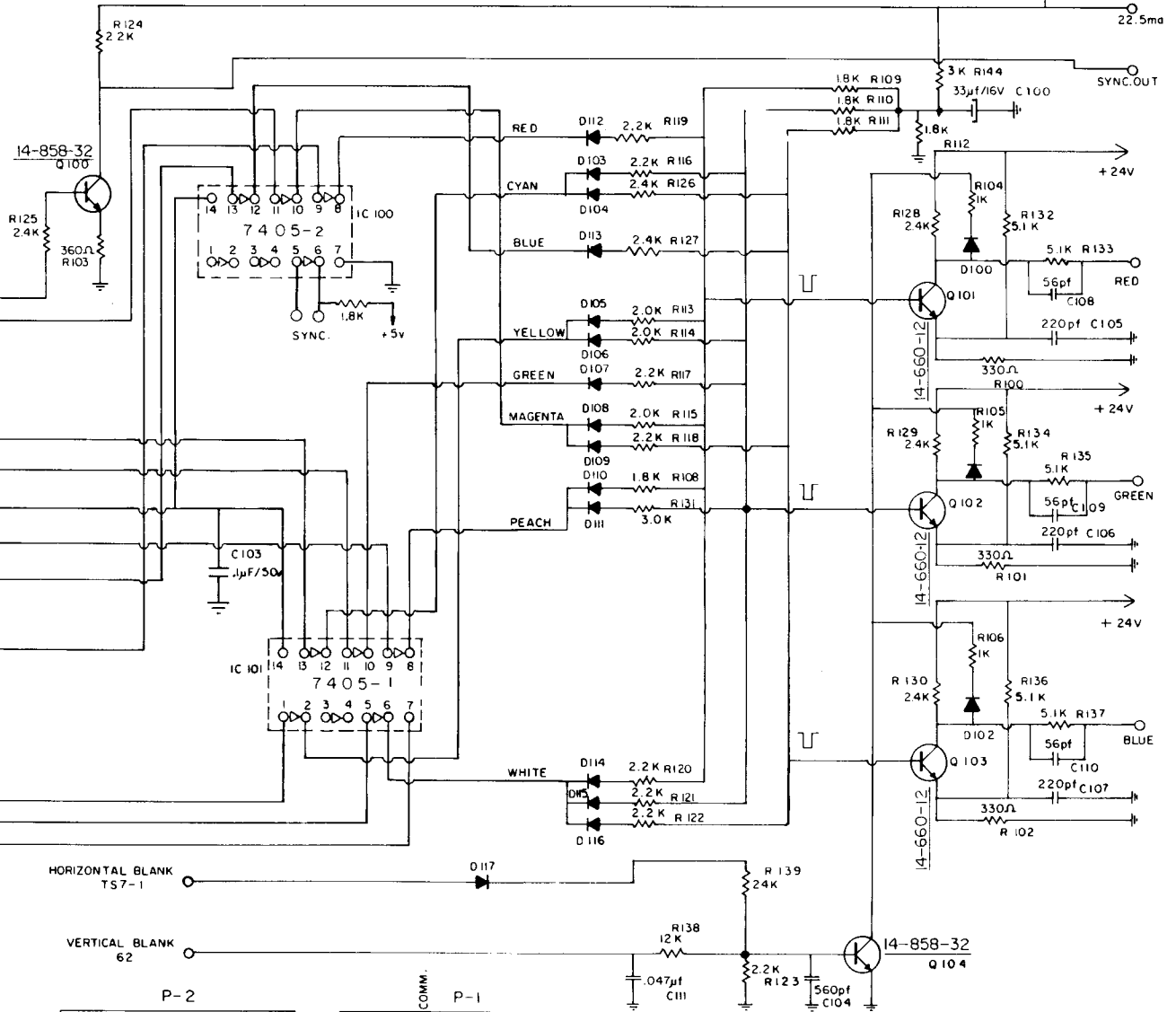
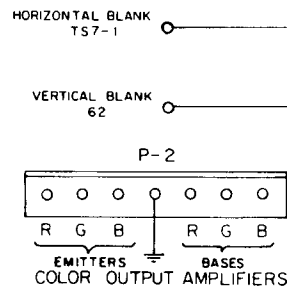
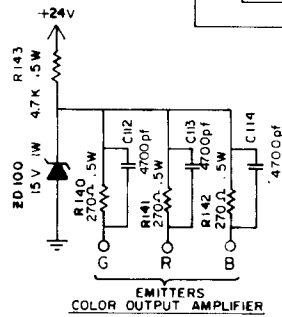
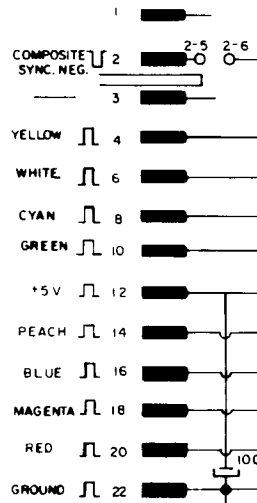
SYMBOL	DESCRIPTION	PART NUMBER	REMARKS	SYMBOL	DESCRIPTION	PART NUMBER	REMARKS
C100	100uF 10V Elect.	44-110104-05		R115	470R .25W 5% Resistor	40-124715-11	
C101	33uF 35V Elect.	44-333005-12		R116	2K0 .25W 5% Resistor	40-122025-11	
C102	33uF 16V Elect.	44-133005-27		R117	2K0 .25W 5% Resistor	40-122025-11	
C103	56pF Z5P 10% 500V	46-356013-01		R118	2K0 .25W 5% Resistor	40-122025-11	
C104	56pF Z5P 10% 500V	46-356013-01		R119	2K2 .25W 5% Resistor	40-122225-11	
C105	56pF Z5P 10% 500V	46-356013-01		R120	2K2 .25W 5% Resistor	40-122225-11	
C106	220pF Z5P 10% 500V	46-322113-01		R121	2K2 .25W 5% Resistor	40-122225-11	
C107	220pF Z5P 10% 500V	46-322113-01		R122	2K2 .25W 5% Resistor	40-122225-11	
C108	220pF Z5P 10% 500V	46-322113-01		R123	2K2 .25W 5% Resistor	40-122225-11	
C109	560pF Z5P 10% 1000V	46-556111-30		R124	2K2 .25W 5% Resistor	40-122225-11	
C110	100nF Z5V 20+80% 50V	46-310468-57		R125	2K2 .25W 5% Resistor	40-122225-11	
C111	47nF 10% 200V	48-174732-62		R126	2K2 .25W 5% Resistor	40-122225-11	
C112	4.7nF 10% 100V	48-174721-62		R127	2K4 .25W 5% Resistor	40-122425-11	
C113	4.7nF 10% 100V	48-174721-62		R128	2K4 .25W 5% Resistor	40-122425-11	
C114	4.7nF 10% 100V	48-174721-62		R129	2K4 .25W 5% Resistor	40-122425-11	
C115	1500pF Z5U 10%	46-315217-05		R130	2K4 .25W 5% Resistor	40-122425-11	
D100	Signal Diode	14-000514-64	T1 1N4148-1N914	R131	2K4 .25W 5% Resistor	40-122425-11	
D101	Signal Diode	14-000514-64	T1 1N4148-1N914	R132	2K4 .25W 5% Resistor	40-122425-11	
D102	Signal Diode	14-000514-64	T1 1N4148-1N914	R133	2K7 .25W 5% Resistor	40-122725-11	
D103	Signal Diode	14-000514-64	T1 1N4148-1N914	R134	3K0 .25W 5% Resistor	40-123025-11	
D104	Signal Diode	14-000514-64	T1 1N4148-1N914	R135	3K3 .25W 5% Resistor	40-123325-11	
D105	Signal Diode	14-000514-64	T1 1N4148-1N914	R136	5K1 .25W 5% Resistor	40-125125-11	
D106	Signal Diode	14-000514-64	T1 1N4148-1N914	R137	5K1 .25W 5% Resistor	40-125125-11	
D107	Signal Diode	14-000514-64	T1 1N4148-1N914	R138	5K1 .25W 5% Resistor	40-125125-11	
D108	Signal Diode	14-000514-64	T1 1N4148-1N914	R139	5K1 .25W 5% Resistor	40-125125-11	
D109	Signal Diode	14-000514-64	T1 1N4148-1N914	R140	5K1 .25W 5% Resistor	40-125125-11	
D110	Signal Diode	14-000514-64	T1 1N4148-1N914	R141	5K1 .25W 5% Resistor	40-125125-11	
D111	Signal Diode	14-000514-64	T1 1N4148-1N914	R142	5K6 .25W 5% Resistor	40-125625-11	
D112	Signal Diode	14-000514-64	T1 1N4148-1N914	R143	12K .25W 5% Resistor	40-121235-11	
D113	Signal Diode	14-000514-64	T1 1N4148-1N914	R144	1K8 .5W 5% Resistor	40-221825-11	
D114	Signal Diode	14-000514-64	T1 1N4148-1N914	R145	560R .25W 5% Resistor	40-125615-11	
D115	Signal Diode	14-000514-64	T1 1N4148-1N914	R146	24K .25W 5% Resistor	40-122435-11	
D116	Signal Diode	14-000514-64	T1 1N4148-1N914	R147	270R .5W 5% Resistor	40-222715-11	
D117	Signal Diode	14-000514-64	T1 1N4148-1N914	R148	270R .5W 5% Resistor	40-222715-11	
D118	Signal Diode	14-000514-64	T1 1N4148-1N914	R149	270R .5W 5% Resistor	40-222715-11	
D119	Signal Diode	14-000514-64	T1 1N4148-1N914	R150	4K7 .5W 5% Resistor	40-224725-11	
D120	Signal Diode	14-000514-64	T1 1N4148-1N914	P001	6 Pin Terminal	34-000548-06	
D121	Signal Diode	14-000514-64	T1 1N4148-1N914	P002	7 Pin Terminal	34-000548-07	
D122	Signal Diode	14-000514-64	T1 1N4148-1N914	P005	15 Pin Terminal	34-000548-15	
C100	Hex Inverter	14-002033-01	7404	ZD100	Zener Diode 15V .5W 5%	14-000515-53	
C101	Decoder	14-002034-01	7442				
Q100	Small Sig. Trans. 300MW 50V	14-000858-32					
Q101	Small Sig. Trans. 300MW 50V	14-000858-32					
Q102	Small Sig. Trans. 600MW 50V	14-000862-12					
Q103	High Freq. Trans. 250MW 30V	14-000660-12					
Q104	High Freq. Trans. 250MW 30V	14-000660-12					
Q105	High Freq. Trans. 250MW 30V	14-000660-12					
R100	330R .25W 5% Resistor	40-123315-11					
R101	330R .25W 5% Resistor	40-123315-11					
R102	330R .25W 5% Resistor	40-123315-11					
R103	1K0 .25W 5% Resistor	40-121025-11					
R104	1K0 .25W 5% Resistor	40-121025-11					
R105	1K0 .25W 5% Resistor	40-121025-11					
R106	1K0 .25W 5% Resistor	40-121025-11					
R107	1K8 .25W 5% Resistor	40-121825-11					
R108	1K8 .25W 5% Resistor	40-121825-11					
R109	1K8 .25W 5% Resistor	40-121825-11					
R110	1K8 .25W 5% Resistor	40-121825-11					
R111	1K8 .25W 5% Resistor	40-121825-11					
R112	1K8 .25W 5% Resistor	40-121825-11					
R113	1K8 .25W 5% Resistor	40-121825-11					
R114	2K2 .25W 5% Resistor	40-122225-11					

ATARI INDY 800 INTERFACE T.T.L. P.C.B.

ASSEMBLY No. 02-230102-01
P.C.B. No. 50-1574-01



BOTTOM VIEW

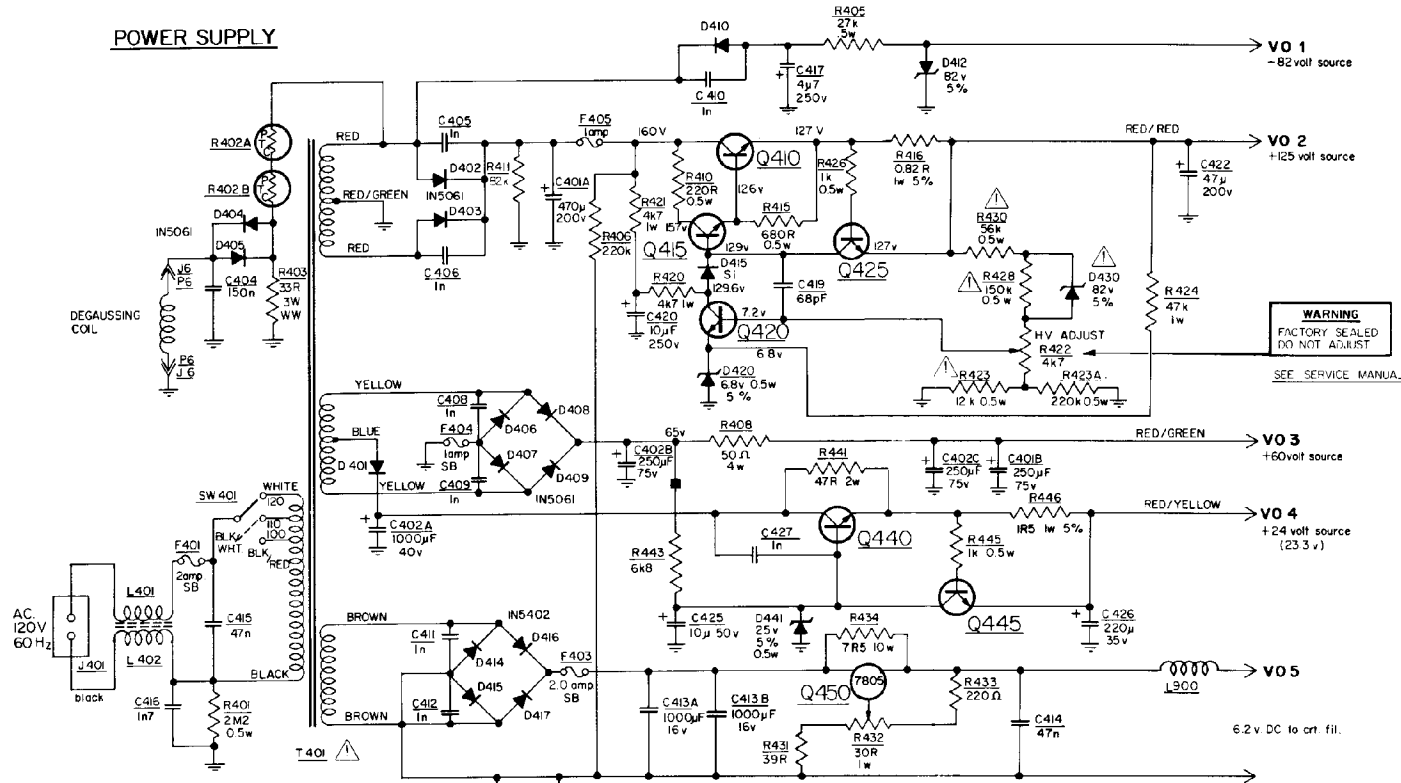


ALL DIODES 14-514-64
ALL CERAMIC CAPS TO BE ± 10%
ALL RESISTORS .25 WATT ± 5% UNLESS MARKED OTHERWISE

SERVICE REPLACEMENT PARTS LIST

SYMBOL	DESCRIPTION	PART NUMBER	REMARKS	SYMBOL	DESCRIPTION	PART NUMBER	REMARKS
C100	33uF 16V Elect.	44-133005-27		R122	2K2 .25W 5% Resistor	40-122225-11	
C101	33uF 35V Elect.	44-333005-12		R123	2K2 .25W 5% Resistor	40-122225-11	
C102	100uF 10V Elect.	44-110104-05		R124	2K2 .25W 5% Resistor	40-122225-11	
C103	100nF Z5V 20+80% 50V	46-310468-57		R125	2K4 .25W 5% Resistor	40-122425-11	
C104	560pF 10% 1000V	46-556111-30		R126	2K4 .25W 5% Resistor	40-122425-11	
C105	220pF Z5P 10% 500V	46-322113-01		R127	2K4 .25W 5% Resistor	40-122425-11	
C106	220pF Z5P 10% 500V	46-322113-01		R128	2K4 .25W 5% Resistor	40-122425-11	
C107	220pF Z5P 10% 500V	46-322113-01		R129	2K4 .25W 5% Resistor	40-122425-11	
C108	56pF Z5P 10% 500V	46-356013-01		R130	2K4 .25W 5% Resistor	40-122425-11	
C109	56pF Z5P 10% 500V	46-356013-01		R131	3K0 .25W 5% Resistor	40-123025-11	
C110	56pF Z5P 10% 500V	46-356013-01		R132	5K1 .25W 5% Resistor	40-125125-11	
C111	47nF 10% 200V	48-174732-62		R133	5K1 .25W 5% Resistor	40-125125-11	
C112	4.7nF 10% 100V	48-174721-62		R134	5K1 .25W 5% Resistor	40-125125-11	
C113	4.7nF 10% 100V	48-174721-62		R135	5K1 .25W 5% Resistor	40-125125-11	
C114	4.7nF 10% 100V	48-174721-62		R136	5K1 .25W 5% Resistor	40-125125-11	
D100	Signal Diode	14-000514-64	T1 1N4148-1N914	R137	5K1 .25W 5% Resistor	40-125125-11	
D101	Signal Diode	14-000514-64	T1 1N4148-1N914	R138	12K .25W 5% Resistor	40-121235-11	
D102	Signal Diode	14-000514-64	T1 1N4148-1N914	R139	24K .25W 5% Resistor	40-122435-11	
D103	Signal Diode	14-000514-64	T1 1N4148-1N914	R140	270R .5W 5% Resistor	40-222715-11	
D104	Signal Diode	14-000514-64	T1 1N4148-1N914	R141	270R .5W 5% Resistor	40-222715-11	
D105	Signal Diode	14-000514-64	T1 1N4148-1N914	R142	270R .5W 5% Resistor	40-222715-11	
D106	Signal Diode	14-000514-64	T1 1N4148-1N914	R143	4K7 .5W 5% Resistor	40-224725-11	
D107	Signal Diode	14-000514-64	T1 1N4148-1N914	R144	3K0 .5W 5% Resistor	40-223025-11	
D108	Signal Diode	14-000514-64	T1 1N4148-1N914	ZD100	Zener Diode 15V .5W 5%	14-000515-53	
D109	Signal Diode	14-000514-64	T1 1N4148-1N914	P001	6 Pin Terminal	34-000548-06	
D110	Signal Diode	14-000514-64	T1 1N4148-1N914	P002	7 Pin Terminal	34-000548-07	
D111	Signal Diode	14-000514-64	T1 1N4148-1N914				
D112	Signal Diode	14-000514-64	T1 1N4148-1N914				
D113	Signal Diode	14-000514-64	T1 1N4148-1N914				
D114	Signal Diode	14-000514-64	T1 1N4148-1N914				
D115	Signal Diode	14-000514-64	T1 1N4148-1N914				
D116	Signal Diode	14-000514-64	T1 1N4148-1N914				
D117	Signal Diode	14-000514-64	T1 1N4148-1N914				
IC100	Hex Inverter	14-002031-02	7405				
IC101	Hex Inverter	14-002031-02	7405				
Q100	Small Sig. Trans. 300MW 50V	14-000858-32					
Q101	Small Sig. Trans. 300MW 50V	14-000858-32					
Q102	High Freq. Trans. 250MW 30V	14-000660-12					
Q103	High Freq. Trans. 250MW 30V	14-000660-12					
Q104	High Freq. Trans. 250MW 30V	14-000660-12					
R100	330R .25W 5% Resistor	40-123315-11					
R101	330R .25W 5% Resistor	40-123315-11					
R102	330R .25W 5% Resistor	40-123315-11					
R103	360R .25W 5% Resistor	40-123615-11					
R104	1K0 .25W 5% Resistor	40-121025-11					
R105	1K0 .25W 5% Resistor	40-121025-11					
R106	1K0 .25W 5% Resistor	40-121025-11					
R107	1K8 .25W 5% Resistor	40-121825-11					
R108	1K8 .25W 5% Resistor	40-121825-11					
R109	1K8 .25W 5% Resistor	40-121825-11					
R110	1K8 .25W 5% Resistor	40-121825-11					
R111	1K8 .25W 5% Resistor	40-121825-11					
R112	1K8 .25W 5% Resistor	40-121825-11					
R113	2K0 .25W 5% Resistor	40-122025-11					
R114	2K0 .25W 5% Resistor	40-122025-11					
R115	2K0 .25W 5% Resistor	40-122025-11					
R116	2K2 .25W 5% Resistor	40-122225-11					
R117	2K2 .25W 5% Resistor	40-122225-11					
R118	2K2 .25W 5% Resistor	40-122225-11					
R119	2K2 .25W 5% Resistor	40-122225-11					
R120	2K2 .25W 5% Resistor	40-122225-11					
R121	2K2 .25W 5% Resistor	40-122225-11					

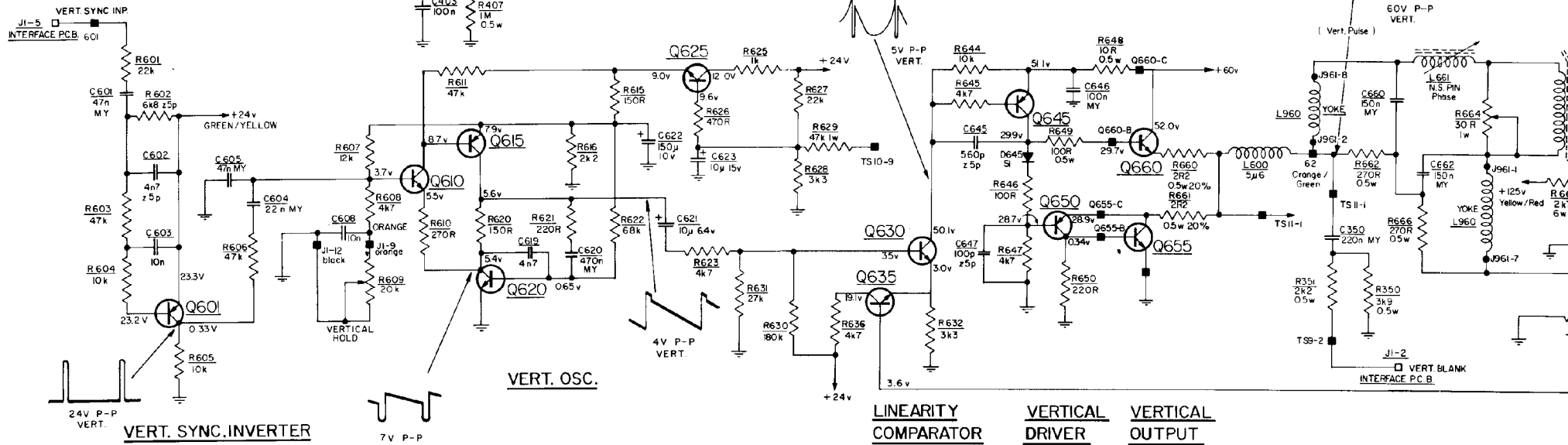
POWER SUPPLY



TRANSISTORS

- Q 410 14-6
- Q 415 14-9
- Q 420 14-9
- Q 425 14-8
- Q 440 14-9
- Q 445 14-8
- Q 450 14-2

THERMISTOR 42-6



VERT. SYNC. INVERTER

VERT. OSC.

LINEARITY COMPARATOR

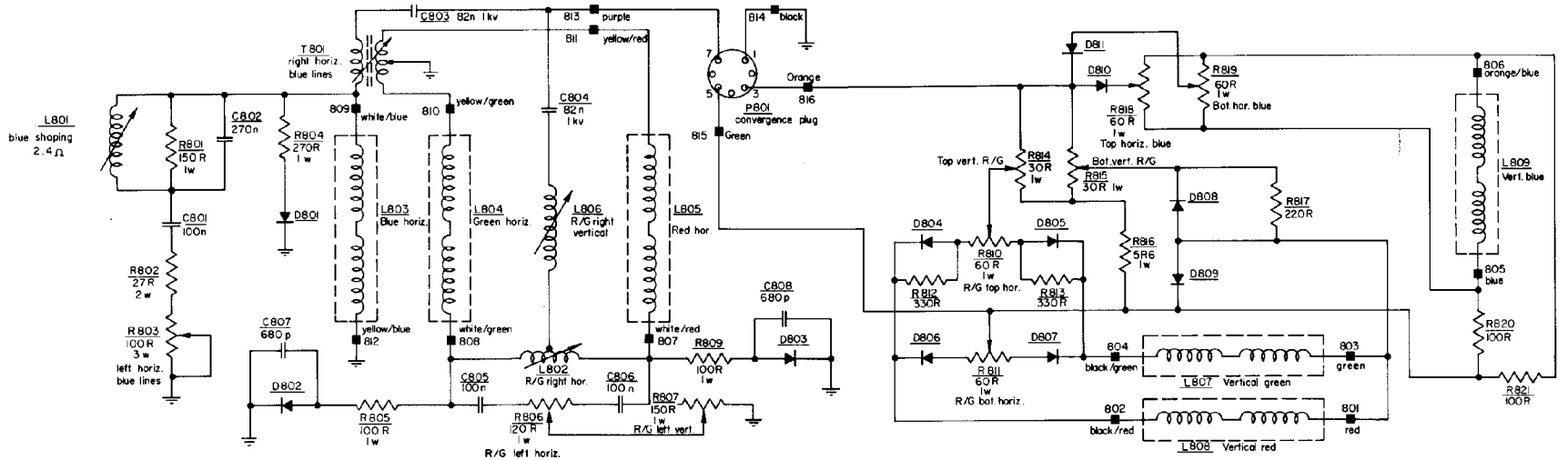
VERTICAL DRIVER

VERTICAL OUTPUT

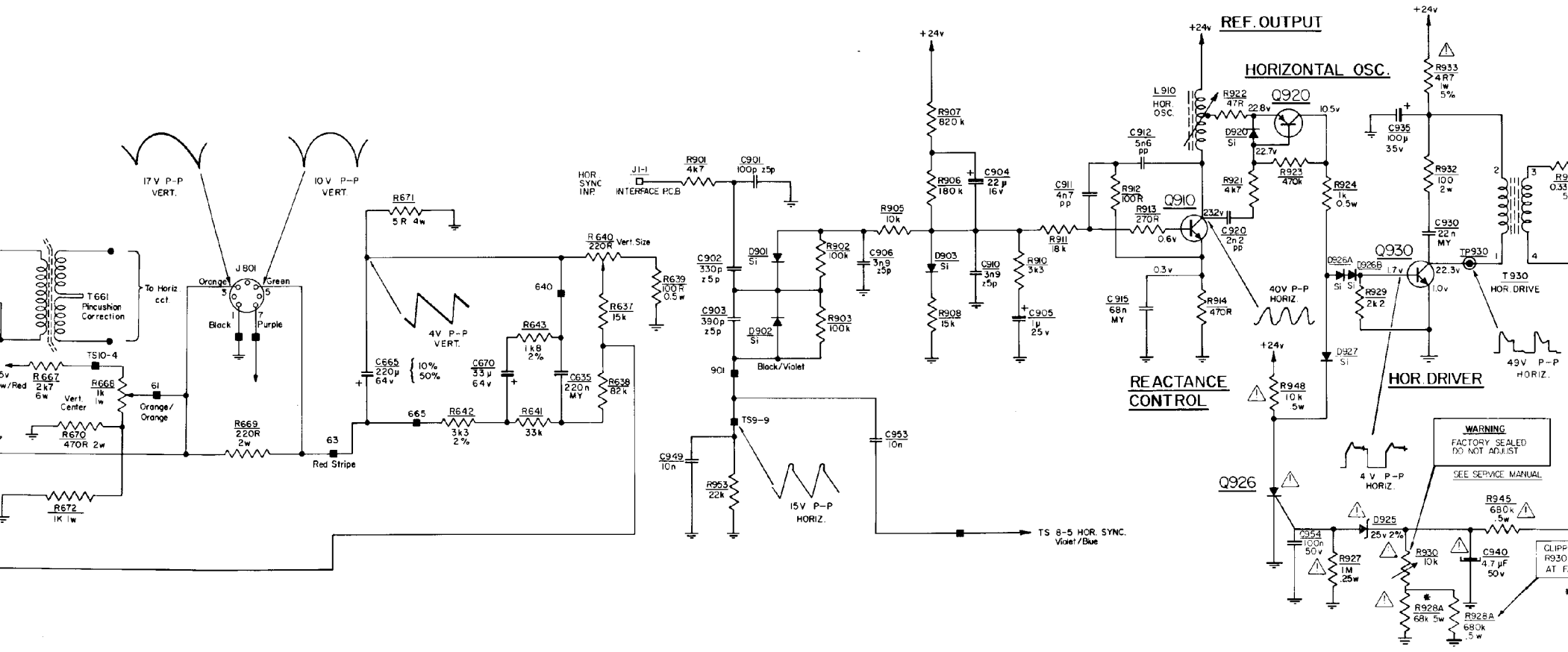
STORS

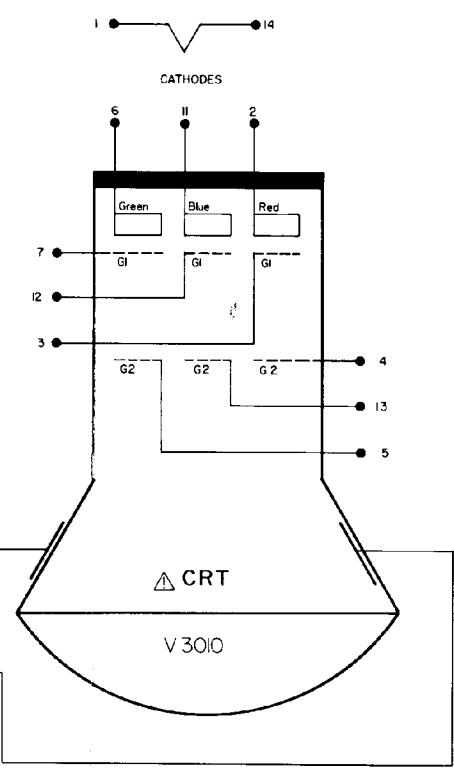
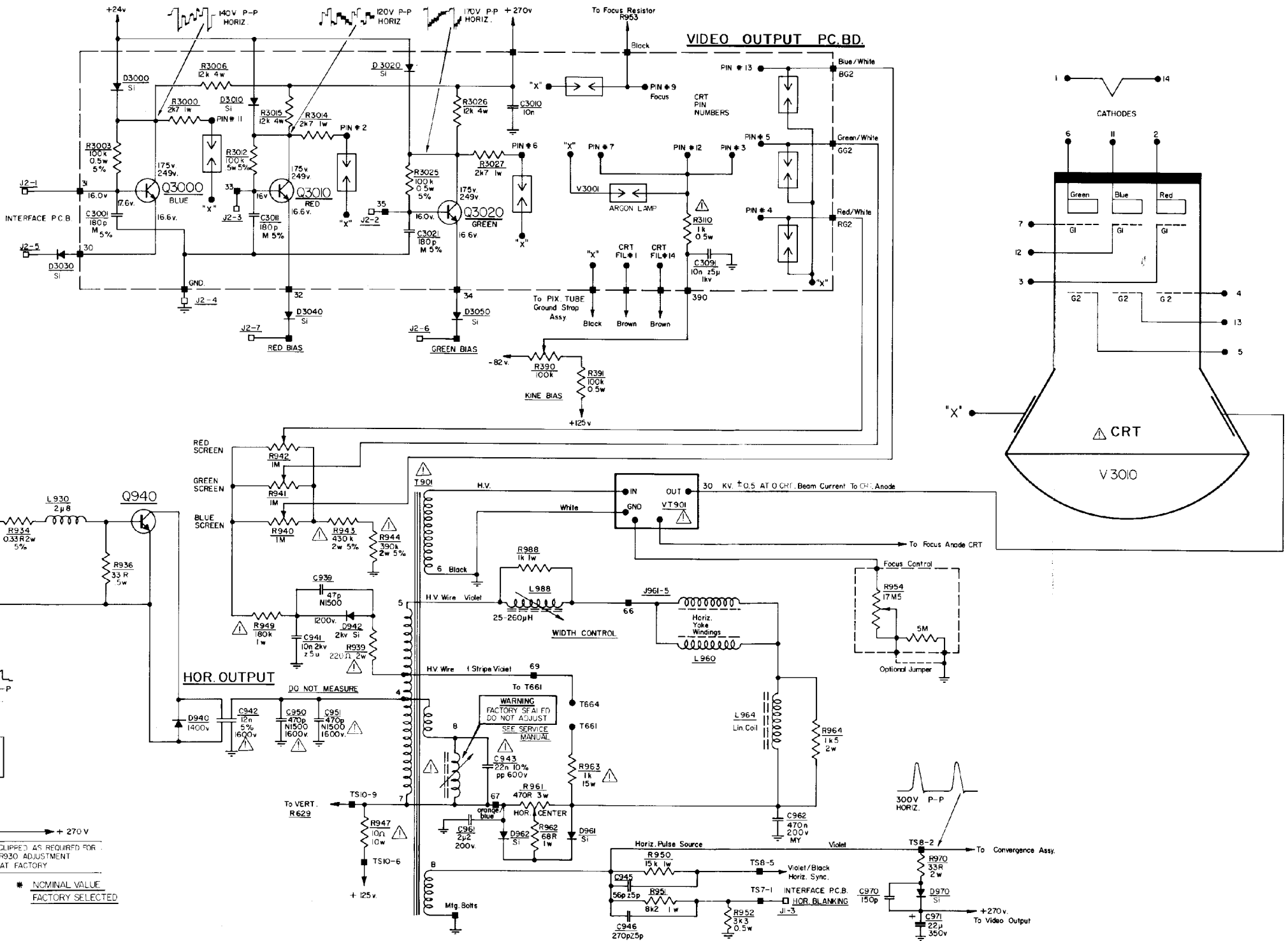
- 14-601-35
- 14-915-23
- 14-915-23
- 14-806-12
- 14-929-12
- 14-806-12
- 14-2032-01 7805

42-60-01 120 V 60R



DYNAMIC CONVERGENCE






CLIPPED AS REQUIRED FOR R930 ADJUSTMENT AT FACTORY

* NOMINAL VALUE FACTORY SELECTED

WARNING
FACTORY SEALED
DO NOT ADJUST
SEE SERVICE
MANUAL

300V P-P
HORIZ.

CAUTION —

FOR CONTINUED SAFETY, REPLACE THOSE COMPONENTS INDICATED BY  WITH EXACT REPLACEMENT PARTS ONLY
CONSULT SERVICE MANUAL PARTS LIST "SAFETY COMPONENTS".

GO2 CHASSIS

00-4085-01

Issue 1

TRANSISTOR REFERENCE

SEE DRAWING NO. 00-1758-03.

DC VOLTAGES

MEASURED WITH HIGH-IMPEDANCE METER AND 120 VAC LINE. ALL THE DC VOLTAGES INDICATED ARE POSITIVE $\pm 10\%$. A PAIR, LIKE 240V,
190V

INDICATES VOLTAGES RESULTING FROM MINIMUM AND MAXIMUM CONTROL SETTINGS.

CAUTION — USE ONLY H.V. METER OR PROBE IN HORIZONTAL OUTPUT CIRCUIT.

WAVEFORMS

VOLTAGE GIVEN IS PEAK-PEAK USING A WIDE-BAND OSCILLOSCOPE WITH HIGH IMPEDANCE PROBE.

CONTROLS ARE SET FOR AVERAGE COLOR PICTURE VIEWING. OSCILLOSCOPE SWEEP RATES USED ARE 30 Hz (VERT.) OR 78.75 Hz (HORIZ.).

LEGEND

RESISTORS — RESISTANCE IN OHMS, K (KILO-OHMS), OR M (MEGOHMS), $\frac{1}{4}$ WATT, 5% TOLERANCE UNLESS OTHER WISE NOTED.

CAPACITORS — CAPACITY IN p (PICOFARADS), n (NANOFARADS) OR μ (MICROFARADS), DCVW AND TOLERANCE NOTED WHERE CRITICAL.

SPECIAL CAPACITORS ARE IDENTIFIED AS FOLLOWS:

P.S. POLYSTYRENE
P.P. POLYPROPYLENE
M.Y. METALIZED MYLAR
M MICA
NPO TEMPERATURE COEFFICIENT =
NEGATIVE POSITIVE ZERO
N150 TEMPERATURE COEFFICIENT =
NEGATIVE 150 P/M/°C

INDUCTORS — INDUCTANCE IN μ H (MICRO HENRIES).

ZENER DIODES — ZENER VOLTAGE IN VOLTS.
ELECTROLYTICS OR TANTALUMS $\frac{1}{2}$ — CAPACITY IN μ F DCVW IN VOLTS.

MULTIPLIER NOTATION

MULTIPLIER OR SUB-MULTIPLE	PREFIX	SYMBOL
10^6	MEGA	M
10^3	KILO	k
10^{-3}	MILLI	m
10^{-6}	MICRO	μ
10^{-9}	NANO	n
10^{-12}	PICO	p

EXAMPLE FOR CAPACITORS

1n = 1nF
= 10^9 FARAD
= .001 μ F
= 1000pF


NEW NOTATION

μ = μ F
n = nF
p = pF

OLD NOTATION

MFD
k
mmf

IMPORTANT SAFETY NOTICE

Components identified by the shaded areas in the parts list and the  symbol on the schematic have special characteristics for safety. These critical safety components are designed to "fail safe" under abnormal conditions. The failure of any one component often causes stress in other components which could lead to smoke or fire or other hazards. Because of this, components are selected and tested under actual fault conditions to ensure safe operation. Replacement with anything other than the identical Electrohome part may present a hazard.

Symbol	Description	Part Number	Remarks
C350	220nF 2% 200V Capacitor	48-172242-62	
R350	3K9 .5W 10% Resistor	40-223921-01	
R351	2K2 .5W 10% Resistor	40-222221-01	
R390	Snap Twist Lug Control 100K	41-000227-49	kine bias
R391	100KR .5W 5% Res.	40-221045-01	
C401	470uF 250V and 250uF 175V Elec.	44-000202-32	
C402	250/250/1000uF-75/75/40V Elec.	44-000203-20	
C403	100nF 10% 40V Capacitor	48-171044-02	
C404	150nF 10% 400V Cap.	48-171544-62	
C405	1nF -20%+80% 50V	46-310268-50	
C406	1nF -20%+80% 50V	46-310268-50	
C408	1nF -20%+80% 50V	46-310268-50	
C409	1nF -20%+80% 50V	46-310268-50	
C410	1nF -20%+80% 50V	46-310268-50	
C411	1nF 10% 100V Cap.	48-171021-62	
C412	1nF 10% 100V Cap	48-171021-62	
C413A	1000uF 15.0 - 16.0V Elect	44-310203-07	
C413B	1000uF 15.0 - 16.0V Elect.	44-310203-07	
C414	47nF 10% 200V Cap.	48-174732-62	
C415	Cap. across the line 47nF N.A.	49-000025-01	
C416	4.7nF 20% UL and CSA App. Cap.	46-204722-43	
C417	4.7uF 250V Elect.	44-347511-05	
C419	68 pF 10% N750 500V Cap.	46-468015-18	
C420	10uF 250V Capacitor	44-310011-05	
C425	10uF 50V Elect.	44-310006-03	
C426	220uF 35V Elect.	44-322105-06	
C427	1.0nF Z5U 0+100% 500V Cap.	46-310277-01	Foil Side B to C Q440
C428	57uF 250V Electrolytic	44-147015-23	
D401	Rectifier 1A 600V	28-000022-27	GI IN5061 GP
D402	Rectifier 1A 600V	28-000022-27	GI IN5061 GP
D403	Rectifier 1A 600V	28-000022-27	GI IN5061 GP
D404	Rectifier 1A 600V	28-000022-27	GI IN5061 GP
D405	Rectifier 1A 600V	28-000022-27	GI IN5061 GP
D406	Rectifier 1A 600V	28-000022-27	GI IN5061 GP
D407	Rectifier 1A 600V	28-000022-27	GI IN5061 GP
D408	Rectifier 1A 600V	28-000022-27	GI IN5061 GP
D409	Rectifier 1A 600V	28-000022-27	GI IN5061 GP
D410	Rectifier 1A 600V	28-000022-27	GI IN5061 GP
D412	Zener Diode 82V 5% .5W	14-000515-42	MOT IN5268B
D414	Rectifier 3A 200V	28-000022-26	ITT IN5402
D415	Rectifier 3A 200V	28-000022-26	ITT IN5402
D416	Rectifier 3A 200V	28-000022-26	ITT IN5402
D417	Rectifier 3A 200V	28-000022-26	ITT IN5402
D420	Zener Diode 6.8V .5W 5%	14-000515-50	MOT. IN5253B
D430	Zener Diode 82V 5% .5W	14-000515-42	MOT. IN5268B
D441	Zener Diode 25V 5% .5W	14-000515-28	MOT. IN5253B
F401	2A 125V slow blow fuse	27-000005-18	
F403	2A 125V slow blow fuse	27-000005-18	
F404	1A slow blow fuse	27-000005-02	
F405	Quick Acting Fuse 1A 250V	27-000014-09	
L400	Choke 12UH	21-001410-02	
L401-2	Dual Line Choke	21-001415-01	
Q410	Power Transtr. (TO-3 Case) 2A 100W	14-000601-35	DELCO DTS 801
Q415	Plastic Power Transtr. NPN 40W	14-000915-23	TI TIP 48
Q420	Plastic Power Transtr. NPN 40W	14-000915-23	TI TIP 48
Q425	Small Sig. Tran. 800MW 60V	14-000806-12	TI TCS 100
Q445	Small Sig. Tran. 800MW 60V	14-000806-12	TI TCS 100
Q450	5V Regulator	14-002032-01	Motorola MC 7805
R401	2M2 .5W 10% Resistor	40-222251-03	
R402A	Thermistor 120V 60R	42-000060-01	Philips 2322-662-93003
R402B	Thermistor 120V 60R	42-000060-01	Philips 2322-662-93003
R403	4W 33R 10% WW Res.	42-113301-03	
R405	27K .5W 5% Res.	40-222735-01	
R406	220K .5W 5% Res.	40-222245-01	
R407	1MR .5W 5% Res.	40-221055-01	
R408	4W 50R 10% WW Res.	42-115001-03	
R410	220R .5W 5% Res.	40-222215-01	
R411	82K .5W 5% Resistor	40-228235-01	
R415	680R .5W 5% Res.	40-226815-01	
R416	R82 1W 5% Res.	40-428285-98	
R420	4K7 1W 5% Resistor	40-424725-01	
R421	4K7 1W 5% Resistor	40-424725-01	
R422	Preset Control 4K7	41-000192-24	

Symbol	Description	Part Number	Remarks
R423	12K .5W 5% Resistor	40-221235-01	
R423A	220K .5W 5% Resistor	40-222245-01	
R424	47K 1W 5% Resistor	40-424735-01	
R428	150K .5W 5% Resistor	40-221545-01	
R430	56K .5W 5% Resistor	40-225635-01	
R431	39R .5W 5% Resistor	40-223905-01	
R432	Linear Taper 30R	41-000281-02	
R433	220R .5W 5% Resistor	40-222215-01	
R434	7.5R 10W Resistor	42-147571-01	
R441	47R 2W Resistor	40-624705-01	
R443	6K8 .25W 5% Resistor	40-126825-31	
R445	1K .5W 10% Resistor	40-221021-31	
R446	1R5 2W 10% Resistor	40-621691-98	
SW401	Slider Switch 3P3T	26-000002-40	
T401	Power Transformer	24-010198-01	
C601	47nF 10% 200V Cap.	48-174732-22	
C602	4.7nF Z5P 10% 50V Cap.	46-347213-60	
C603	10nF Z5P 10% 500V Cap.	46-310313-02	
C604	22nF 10% 200V Cap.	48-172232-22	
C605	47nF 10% 200V Cap.	48-174732-22	
C608	10nF Z5V 20 + 80% 50V Cap.	46-310368-60	
C619	4.7nF Z5P 10% 50V Cap.	46-347213-60	Foil Side Q620CB
C620	470nF 10% 200V Cap.	48-174742-42	
C621	10uF 10V Elect.	44-310002-01	
C622	150uF 10V Elect.	44-315102-03	
C623	10uF 15.0/16.0V Elect.	44-310003-02	
C635	220nF 10% 200V Cap.	48-172242-22	
C645	560pF Z5P 10% 500V Cap.	46-356113-06	
C646	100nF 10% 200V Cap.	48-171042-22	
C647	100pF Z5P 10% 500V Cap.	46-310113-02	
C660	150nF 10% 200V Cap.	48-171542-22	
C662	150nF 10% 200V Cap.	48-171542-22	
C665	220uF 60-65V Electro. Cap.	44-000190-01	
C670	33uF 75V Elect.	44-333007-05	
D645	Diode Signal St Taped	14-000514-64	TI IN4148 IN914
L600	RF Chokes 5.6 UH	21-001400-03	
L661	Pincushion Phase Coil	21-001099-02	
Q601	Small Sig. Trans. 200MW 30V	14-000803-12	TI 2B14P
Q610	Small Sig. Trans. 300MW 80V	14-000805-32	MOT MPS A06
Q615	Small Sig. Trans. 300MW 80V	14-000807-12	MOT MPS U56
Q620	Small Sig. Trans. 360MW 60V	14-000802-12	TI TIS 98
Q625	Small Sig. Trans. 300MW 80V	14-000805-12	MOT MPS A06
Q630	Small Sig. Trans. 310MW 100V	14-000811-12	TI TIS100
Q635	Small Sig. Trans. 360MW 60V	14-000802-12	TI TIS98
Q645	Small Sig. Trans. 300MW 80V	14-000807-12	MOT MPS U56
Q650	Small Sig. Trans. 300MW 80V	14-000807-12	MOT MPS U56
Q655	Plastic P Trans. 35W 70V	14-000905-23	Vert. TI TIP 48
Q660	Plastic P Trans. 35W 70V	14-000905-23	Vert. TI TIP 48
R601	22K .25W 5% Resistor	40-122235-31	
R602	6K8 .25W 10% Resistor	40-126821-31	
R603	47K .25W 10% Resistor	40-124731-31	
R604	10K .25W 10% Resistor	40-121031-31	
R605	10K .25W 10% Resistor	40-124731-31	
R606	47K .25W 10% Resistor	40-121031-31	
R607	12K .25W 5% Resistor	40-121235-31	
R608	4K7 .25W 5% Resistor	40-124725-31	
R609	Control SS SE 20K	41-000309-59	Vertical Hold
R610	270R .25W 10% Resistor	40-122711-31	
R611	47K .25W 10% Resistor	40-124731-31	
R615	150R .25W 10% Resistor	40-121511-31	
R616	2K2 .25W 10% Resistor	40-122213-31	
R620	150R .25W 10% Resistor	40-121511-31	
R621	220R .25W 10% Resistor	40-122211-31	
R622	68K .25W 5% Resistor	40-126835-31	
R623	4K7 .25W 10% Resistor	40-124721-31	
R625	1K .25W 10% Resistor	40-121021-31	
R626	470R .25W 10% Resistor	40-124711-31	
R627	22K .25W 5% Resistor	40-122235-31	
R628	3K3 .25W 5% Resistor	40-123325-31	
R629	47K 1W 10% Resistor	40-424731-11	
R630	180K .25W 5% Resistor	40-121845-31	
R631	27K .25W 5% Resistor	40-122735-31	
R632	3K3 .5W 10% Resistor	40-123321-31	
R636	4K7 .25W 10% Resistor	40-124721-31	
R637	15KR .25W 10% Resistor	40-121531-32	
R638	82K .25W 10% Resistor	40-128231-31	
R639	100R .5W 5% Resistor	40-221015-01	
R640	Snap Twist Lug Control 220R	41-000227-40	Vertical Size
R641	33K .25W 10% Resistor	40-123331-31	
R642	3K3 .25W 2% Resistor	40-123323-31	
R643	1K8 .25W 2% Resistor	40-121823-31	
R644	10K .25W 10% Resistor	40-121031-11	
R645	4K7 .25W 10% Resistor	40-124721-31	
R646	100R .25W 5% Resistor	40-121015-31	
R647	4K7 .25W 10% Resistor	40-124721-31	
R648	CRTCL Safety Resistor 10R .5W 10%	42-000063-02	
R649	100R .5W 10% Resistor	40-221011-31	
R650	220R .25W 10% Resistor	40-122211-31	
R660	2R2 .5W 20% Resistor	40-222292-98	
R661	2R2 .5W 20% Resistor	40-222292-98	

Symbol	Description	Part Number	Remarks	Symbol	Description	Part Number	Remarks
R662	270R .5W 10% Resistor	40-222711-13		D927	Diode Signal	14-000514-70	
R664	Linear Taper 30R	41-000281-02		D940	Rectifier 1A 1400V	28-000022-25	Philips OF 155
R666	270R .5W 10% Resistor	40-222711-13		D942	Rectifier .05A 2000V	28-000022-29	GI DG1
R667	6W 2K7 10% GP Resistor	42-122721-01		D961	Diode Special S1 Taped	14-000514-74	Varo VG2X
R668	Wirewound control 1K	41-000228-33	Vertical center	D962	Diode Special S1 Taped	14-000514-74	Philips BA148
R669	220R 2W 10% Resistor	40-622211-11		D970	Diode Signal	14-000514-30	Philips BA148
R670	470R 2W 10% Resistor	40-624711-01		L910	Horizontal Osc. Coil	21-001070-02	RCA 7727
R671	4W 5R 10% WW Resistor	42-115071-03		L930	Horizontal Delay Choke 2.8 uH	21-001410-03	
R672	1K 1W 10% Resistor	40-421021-11		L960	Deflection Yoke	21-000122-07	
T661	Combination Transductor	24-140008-01	Pincushion Transformer	L964	Horizontal Linearity Coil	21-001148-01	Horizontal Linearity Adjust
C801	100nF 10% 200V Cap.	48-171042-22		L988	Width Coil	21-001405-05	
C802	270nF 10% 200V Cap.	48-172742-42		Q910	Small Sig. Tran. 360MW 60V	14-000802-12	MOT, TIS 98
C803	82nF 10% 600V Cap.	49-000019-13		Q920	Small Sig. Tran. 300MW 80V	14-000807-12	MOT MPS U56
C804	82nF 10% 600V Cap.	49-000019-13		Q926	Thyristor	14-000518-03	MOT 2N5061
C805	100nF 10% 200V Cap.	48-171042-22		Q930	Plastic Power Transistor NPN 6.0/6.5	14-000910-13	MOT P1E 018
C806	100nF 10% 200V Cap.	48-171042-22		Q940	Power Transistor (T-o-3 case) 5A 50V	14-000601-36	Hitachi 7644
C807	680pF Z5P 10% 500V Cap.	46-368113-06		R901	4K7 .25W 10% Resistor	40-124721-31	
C808	680pF Z5P 10% 500V Cap.	46-368113-06		R902	100K .25W 5% Resistor	40-121045-31	
D801	Diode Signal	14-000514-64	TI IN4148 - IN914	R903	100K .25W 5% Resistor	40-121045-31	
D802	Diode Signal	14-000514-64	TI IN4148 - IN914	R905	10K .25W 5% Resistor	40-121035-11	
D803	Diode Signal	14-00514-64	TI IN4148 - IN914	R906	180K .25W 5% Resistor	40-121845-31	
D804	Diode Signal	14-000514-64	TI IN4148 - IN914	R907	820K .25W 5% Resistor	40-128245-31	
D805	Diode Signal	14-000514-64	TI IN4148 - IN914	R908	15K .25W 10% Resistor	40-121531-31	
D806	Diode Signal	14-000514-64	TI IN4148 - IN914	R910	3K3 .25W 10% Resistor	40-123321-31	
D807	Diode Signal	14-000514-70	TI IN4148 - IN914	R911	18K .25W 5% Resistor	40-121831-31	
D808	Diode Signal	14-000514-64	TI UG 2367	R912	100R .25W 10% Resistor	40-121011-11	Foil SD Q910E to R912
D809	Diode Signal	14-000514-70	TI UG 2367	R913	270R .25W 10% Resistor	40-122711-31	
D810	Diode Signal	14-000514-64	TI IN4148 - IN914	R914	470R .25W 10% Resistor	40-124711-31	
D811	Diode Signal	14-000514-64	TI IN4148 - IN914	R921	4K7 .25W 10% Resistor	40-124721-31	
L801	Coil Blue Shaper	21-001090-01		R922	47R .25W 10% Resistor	40-124701-31	
L802	Coil RT Horiz. Lines R/G	21-001091-01		R923	470K .25W 5% Resistor	40-124745-31	
L806	Coil R/G Vertical	21-001092-01		R924	1K .5W 10% Resistor	40-221021-31	
R801	150R 1W 20% Resistor	40-421512-13		R927	1M .25W 10% Resistor	40-121055-11	
R802	27R 2W 10% Resistor	40-622701-11		R928A	68K 0.5W 10% Resistor	40-226835-11	
R803	Wirewound Control 100R	41-000238-09	Left Horizontal Blue	R928B	680K .5W 10% Resistor	40-226845-11	
R804	270R 1W 20% Resistor	40-422712-13		R929	2K2 .25W 10% Resistor	40-122221-31	
R805	100R 1W 20% Resistor	40-421012-13		R930	10K Control	41-000192-25	HV Holddown
R806	Wirewound Control 120R	41-000238-03	Left Horizontal R & G	R932	100R 2W 10% Resistor	40-621011-01	
R807	Wirewound Control 150R	41-000238-01	Left Vertical R & G	R933	4R7 1W 5% Resistor	40-424795-11	
R809	100R 1W 20% Resistor	40-421012-13		R934	33R 2W 5% Resistor	40-623385-98	
R810	Wirewound Control 60R	41-000238-04	Top Horizontal R & G	R936	33R .5W 10% Resistor	40-223301-31	
R811	Wirewound Control 60R	41-000238-04	Bot. Horizontal R & G	R939	220R 2W Resistor	42-000063-37	
R812	330 R. 5W 5% Resistor	40-223315-11		R940	Snap Twist Lug Control 1M	41-000227-64	Blue screen
R813	330 R. 5W 5% Resistor	40-223315-11		R941	Snap Twist Lug Control 1M	41-000227-63	Green screen
R814	Wirewound Control 30R	41-000238-02	Top Vertical R & G	R942	Snap Twist Lug Control 1M	41-000227-62	Red screen
R815	Wirewound Control 30R	41-000238-02	Bot. Vertical R & G	R943	HV Res. 430K 2W 5% 750V	42-000064-02	
R816	5R6 1W 10% Resistor	40-425691-11		R944	HV Res. 390K 2W 5% 750V	42-000064-01	
R817	220R .5W 5% Resistor	40-222215-11		R945	680K 1/2W 5% Res.	40-226845-11	
R818	Wirewound Control 60R	41-000238-04	Top Horizontal Blue	R947	70R 10W 10% WW Res.	42-141001-03	
R819	Wirewound Control 60R	41-000238-04	Bot. Horizontal Blue	R948	150K 0.5W 5% Res.	40-221035-11	
R820	100R .5W 5% Resistor	40-221015-01		R949	180K 1W Resistor	42-000063-36	
R821	100R .5W 5% Resistor	40-221015-11		R950	15K 1W 10% Resistor	40-421531-03	
T801	Coil RT Horizontal Lines Blue	21-001093-01		R951	8K2 1W 10% Resistor	40-428225-01	
C901	100pF Z5P 10% 500V Cap.	46-310113-02		R952	3K3 .5W 10% Resistor	40-223321-01	
C902	330pF Z5P 10% 500V Cap.	46-333113-02		R953	22K .5W 10% Resistor	40-222231-01	
C903	390pF Z5P 10% 500V Cap.	46-339113-06		R954	Focus Control 17M5	41-000251-03	Focus
C904	22uF 15.0/16.0 Elect.	44-322003-02		R961	Linear Taper	41-000281-01	
C905	1uF 35V Elect.	44-310505-01		R962	68R 1W 10% Resistor	40-426801-11	
C906	3.9nF Z5P 10% 500V Cap.	46-339213-19		R963	Critical Safety Resistor 1K 15W 10%	42-000063-01	
C910	3.9nF Z5P 10% 500V Cap.	46-339213-19		R964	1K5 2W 10% Resistor	40-621521-11	
C911	4.7nF 10% Poly Cap.	48-304721-01		R970	33R 2W 10% Resistor	40-623301-01	
C912	5.6nF 10% Poly Cap.	48-305621-01		R988	1K 1W 10% Resistor	40-421021-11	
C915	68nF 200V 10% mylar Cap.	48-176832-12		T901	Flyback 31KV	21-000234-02	
C920	2.2nF 10% Poly Cap.	48-302221-01		T930	Horizontal Buffer Transformer	24-170002-03	
C930	22nF 10% 200V Cap.	48-172232-22		VT 901	HV Trplr - Focus Dvdr A 26.5"	28-000037-01	
C935	100uF 35V Elect.	44-310105-05		C3001	180pF 5% Mica Cap.	47-041815-06	
C939	47pF 10% Z5P 6000V Cap.	46-547016-90		C3011	180pF 5% Mica Cap.	47-041814-06	
C940	4.7uF 50V Elect.	44-147509-03		C3021	180pF 5% Mica Cap.	47-041815-06	
C941	10nF 20% 2000V Z5U Cap.	46-510322-72		C3091	10nF -0 +100 GMV % Z5U 1000V Cap.	46-510371-75	
C942	Fail Safe Ext. Pulse 12nF 1600V	49-000024-01		C3092	10nF -0 +100 GMV % Z5U 1000V Cap.	46-510371-75	
C943	XTRM Pulse Cap 22nF 10% 600V	49-000019-19		D3000	Diode Signal S1	14-000514-18	Philips BA 145
C945	56pF Z5P 10% 500V Cap.	46-356013-01		D3010	Diode Signal S1	14-000514-18	Philips BA 145
C946	270pF Z5P 10% 500V Cap.	46-327113-01		D3020	Diode Signal S1	14-000514-18	Philips BA 145
C949	10nF Z5P 10% 500V Cap.	46-310313-22		D3030	Diode Signal	14-000514-64	TI IN4148 - IN914
C950	470pF 20% 2000V N1500 Cap.	48-547122-93		D3040	Diode Signal	14-000514-64	TI IN4148 - IN914
C951	470pF 20% 2000V N1500 Cap.	48-547122-93		D3050	Diode Signal	14-000514-64	TI IN4148 - IN914
C953	10nF Z5P 10% 500V Cap.	46-310313-22		Q3000	Plastic P. Tran. 5.0W 300V	14-000904-12	MOT MPS U10
C954	100nF 50V	46-310468-57		Q3010	Plastic P. Tran. 5.0W 300V	14-000904-12	MOT MPS U10
C961	2.2uF 20% 200V Cap.	49-172252-01		Q3020	Plastic P. Tran. 5.0W 300V	14-000904-12	MOT MPS U10
C962	470nF 400V 10% HC Cap.	49-000019-24		R3000	2K7 1W 10% Resistor	40-422721-13	
C970	150pF 10% Z5P 1000V Cap.	46-515122-30		R3003	100K .5W 5% Resistor	40-221045-11	
C971	22uF 350V Elect.	44-122017-18		R3006	12K 4W 10% N Ind. Res.	42-111231-05	
D901	Diode Signal S1 Taped	14-000514-70	TI UG2367	R3110	1K .5W 5% Resistor	40-221025-13	
D902	Diode Signal S1 Taped	14-000514-70	TI UG2367	R3012	100K .5W 5% Resistor	40-221045-11	
D903	Diode Signal St Taped	14-000514-64	TI IN4148 - IN914	R3014	2K7 1W 10% Resistor	40-422721-13	
D920	Diode Signal St Taped	14-000514-64	TI IN4148 - IN914	R3015	12K 4W 10% N Ind. Resistor	42-111231-05	
D925	Zener Diode 25V .2%	14-000515-41		R3025	100K .5W 5% Resistor	40-221045-11	
D926A	Diode Signal	14-000514-64	TI IN4148 - IN914	R3026	12K 4W 10% Ind. Resistor	42-111231-05	
D926B	Diode Signal	14-000514-64	TI IN4148 - IN914	R3027	2K7 1W 10% Resistor	40-422721-13	
				V3001	Argon Lamp	27-000011-09	Sylvania S-049

Symbol	Description	Part Number	Remarks
V3010	19V Color Pix Tube 19VEWP22	17-007194-01	
	OR		
	25V Color Pix Tube 25VCXP22	17-007255-01	

ALWAYS ORDER PARTS BY PART NUMBER, TO ENSURE FAST DELIVERY AND CORRECT REPLACEMENT


U.S.A. CUSTOMERS:

Service (U.S.A.) Electrohome
182 Wales Avenue
Tonawanda, New York 14150
Telephone (716) 694-3332

CANADIAN CUSTOMERS:

Service Electrohome
809 Wellington Street North
Kitchener, Ontario N2G 4J6
Telephone (519) 744-7111
Telex 069-5120

IMPORTANT SAFETY NOTICE

Components identified by the shaded areas in the parts list and the  symbol on the schematic have special characteristics for safety. These critical safety components are designed to "fail safe" under abnormal conditions. The failure of any one component often causes stress in other components which could lead to smoke or fire or other hazards. Because of this, components are selected and tested under actual fault conditions to ensure safe operation. Replacement with anything other than the identical Electrohome part may present a hazard.