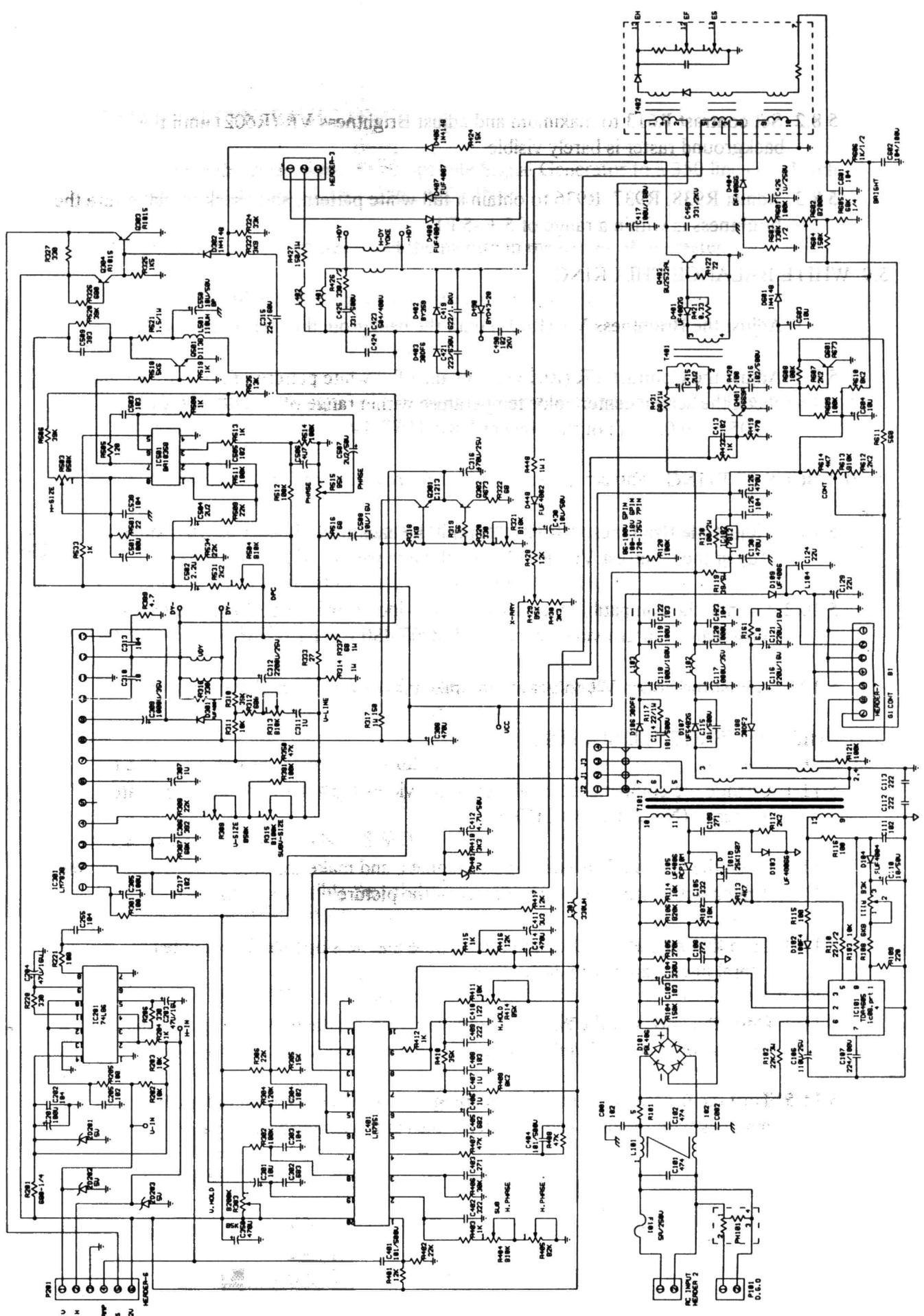
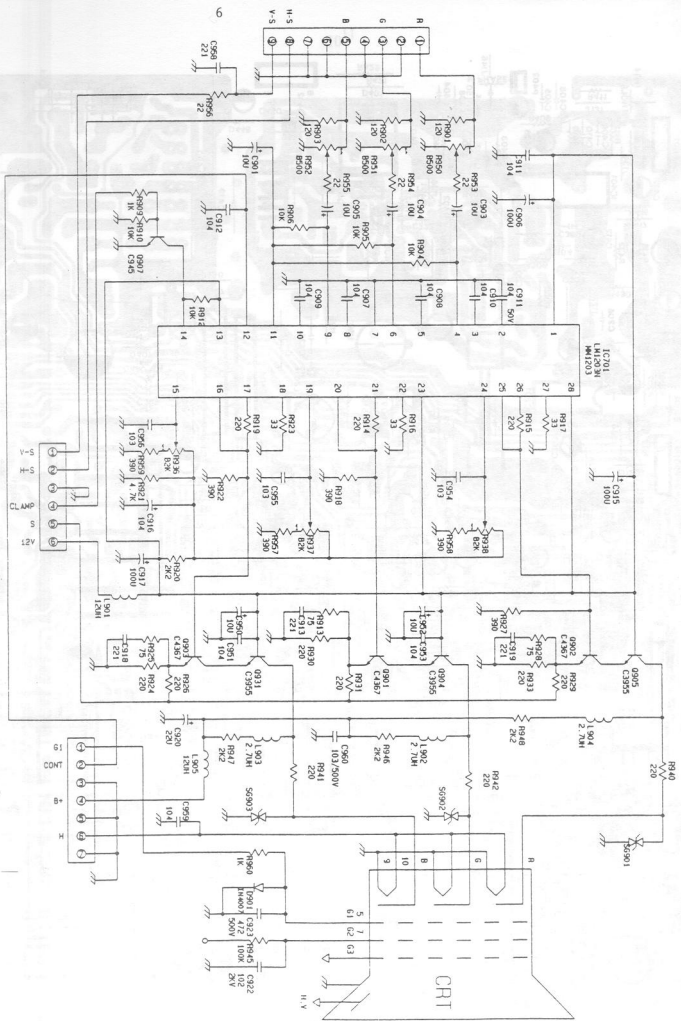


3. SPECIFICATION

MODEL:	NT-2700	NT-2701	NT-2702
PICTURE TUBE:	27" 0.82mm D.P.	27" 0.84mm D.P.	27" 0.84mm D.P.
SIGNAL TYPE:	R.G.B. SEPARATE 1.0 - 4.0 Vp-p	R.G.B. SEPARATE 1.0 - 4.0 Vp-p	15 PIN D-SUB ANALOG 0.7 Vp-p
VIDEO BAND WIDTH:	15 MHz	30 Mhz	45 Mhz
RESOLUTION:	560 x 240	640 x 350	640 x 480
FREQUENCY:	15.75 Khz	25 Khz	31.5 Khz
POWER SUPPLY:	120 ~ 220 VAC 50 ~ 60 Hz	120 ~ 220 VAC 50 ~ 60 Hz	120 ~ 220 VAC 50 ~ 60 Hz
POWER CONSUMPTION:	100W	105W	110W
CONTROLS:	BRIGHTNESS, CONTRAST, H-POSITION, V-SIZE, V-POSITION, V-HOLD, PINCUSHION.		
SIGNAL CONNECTOR:	NT-2700 PIN 1: RED, PIN 2: GREEN, PIN 3: BLUE, PIN 4: GROUND, PIN 5: N.C., PIN 6: SYNC. NT-2701 PIN 1: RED, PIN 2: GREEN, PIN 3: BLUE, PIN 4: GROUND, PIN 5: HOR., PIN 6: VERT. (SYNC.) NT-2702 15 PIN D-SUB		
POWER CONNECTOR:	PIN 1: LINE, PIN 2: GROUND, PIN 3: NEUTRAL		





5V
Y
I
LNC

CRT

H-V

CAUTION
FOR CONTINUED PROTECTION AGAINST RISK OF
REPLACE ONLY WITH SAME TYPE AND RATING OF
FUSE

AC INPUT
FIRE
FULL FAMILY OF VOA

REPLACE ONLY WITH SAME TYPE AND RATING OF
FUSE

REPLACE ONLY WITH SAME TYPE AND RATING OF
FUSE

REPLACE ONLY WITH SAME TYPE AND RATING OF
FUSE

REPLACE ONLY WITH SAME TYPE AND RATING OF
FUSE

REPLACE ONLY WITH SAME TYPE AND RATING OF
FUSE

REPLACE ONLY WITH SAME TYPE AND RATING OF
FUSE

REPLACE ONLY WITH SAME TYPE AND RATING OF
FUSE

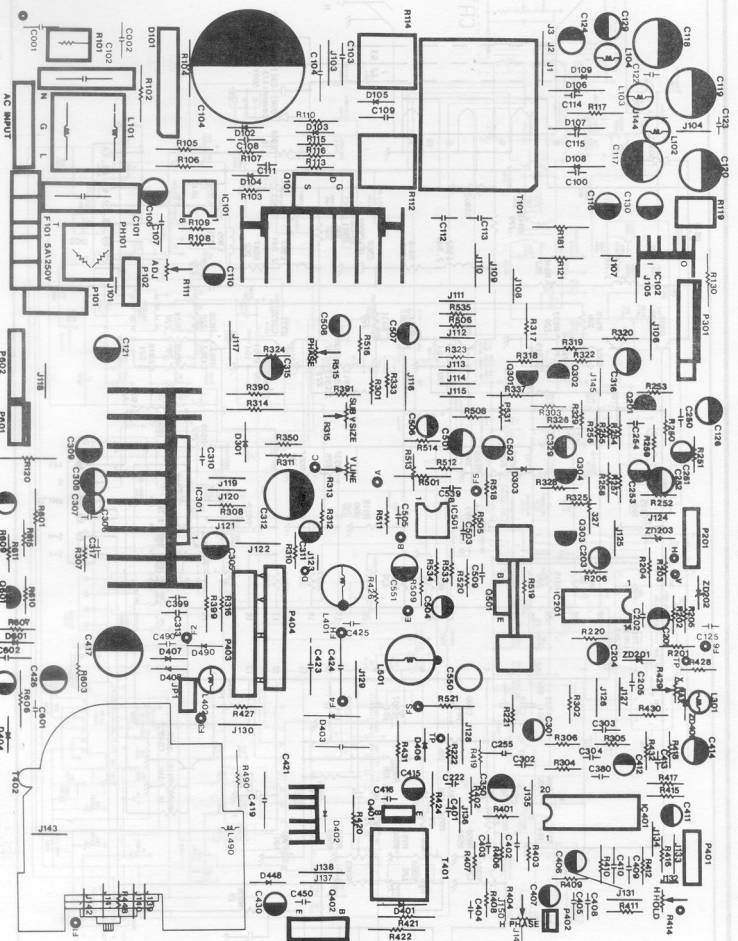
REPLACE ONLY WITH SAME TYPE AND RATING OF
FUSE

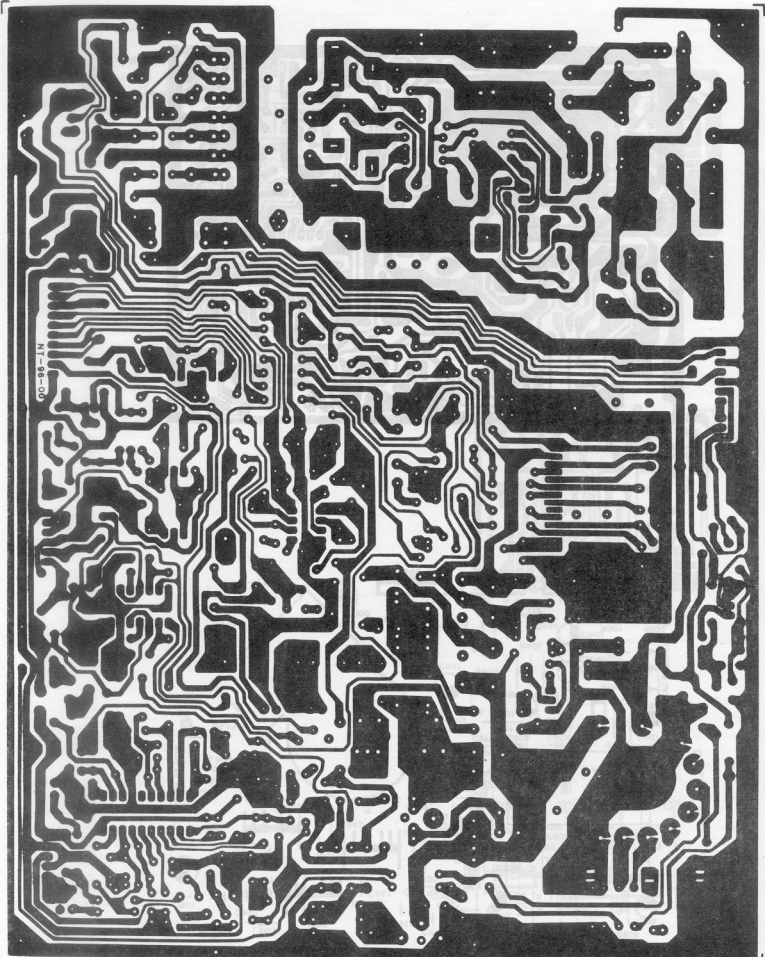
REPLACE ONLY WITH SAME TYPE AND RATING OF
FUSE

REPLACE ONLY WITH SAME TYPE AND RATING OF
FUSE

REPLACE ONLY WITH SAME TYPE AND RATING OF
FUSE

REPLACE ONLY WITH SAME TYPE AND RATING OF
FUSE





00-98-IN

