

- C417 394J/400V
- C420 822J/1.6K
- T402 FT-238
- Q402 C4542

NEOTEC GRAPHIC INTERNATIONAL INC.

SCALE: \_\_\_\_\_

DATE: APRIL 4, 1994

APPROVED BY: *[Signature]*

DRAWN BY: *[Signature]*

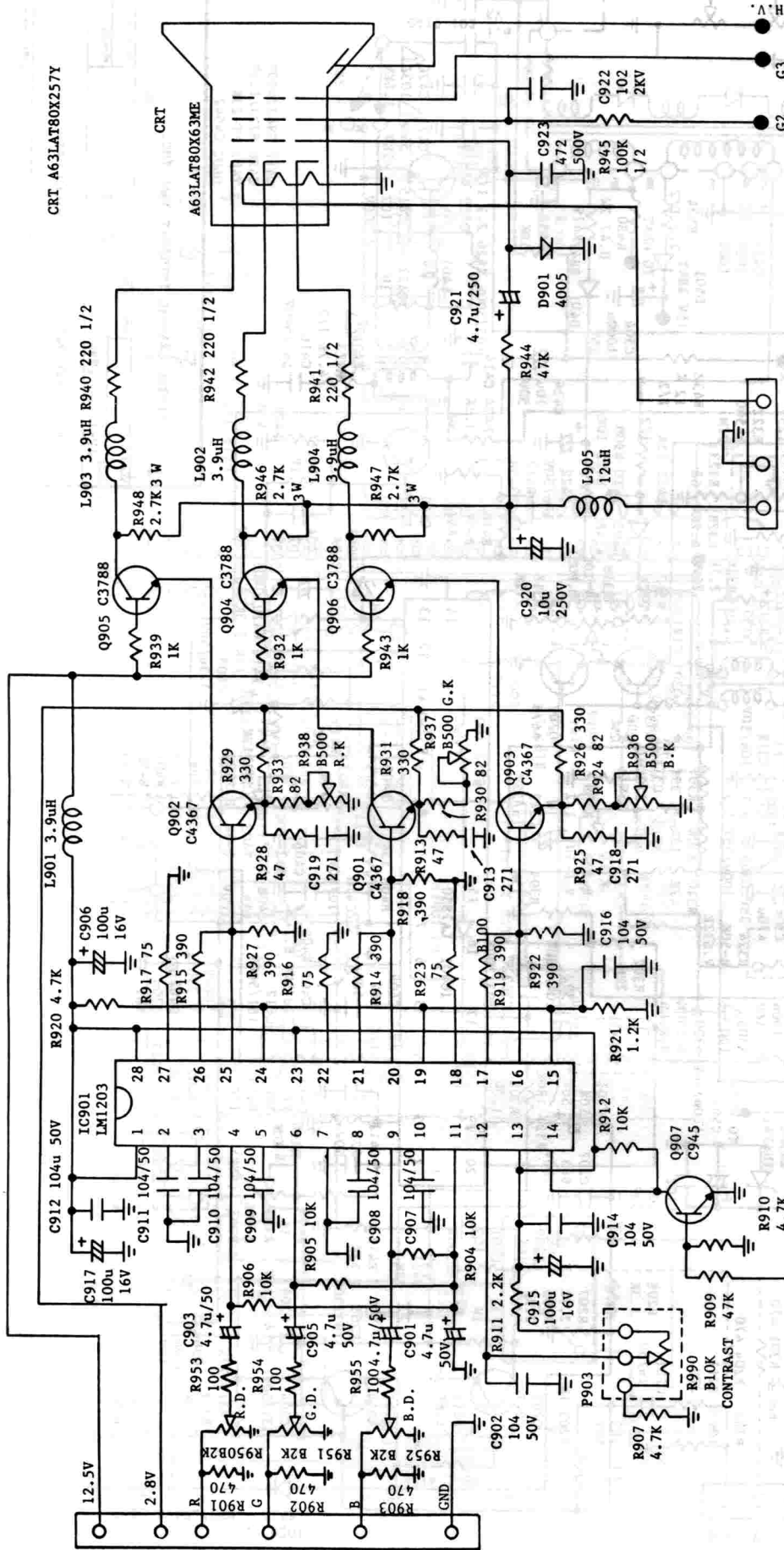
REVISED: \_\_\_\_\_

NT-2500 NT-2501 MAIN BOARD CRT

DRAWING NUMBER: \_\_\_\_\_

CRT A63LAT80X257Y

CRT  
A63LAT80X63ME



NEOTEC GRAPHIC INTERNATIONAL INC.

SCALE \_\_\_\_\_ APPROVED BY: *[Signature]*

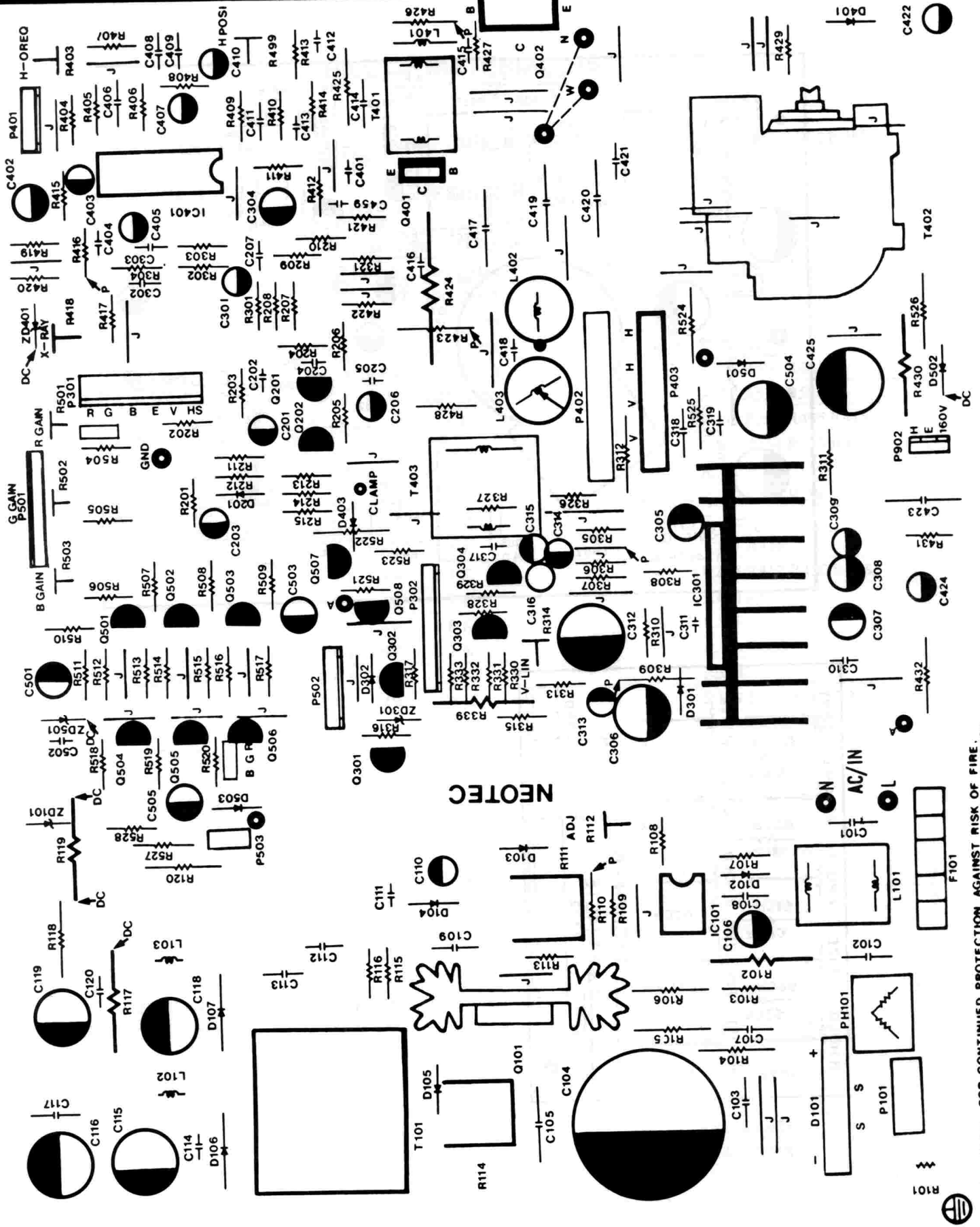
DATE: APRIL 4, 94

DRAWN BY: *[Signature]*

REVISED \_\_\_\_\_

NT-2500 NT-2501 VIDEO BOARD CKT

DRAWING NUMBER



NEOTEC

CAUTION FOR CONTINUED PROTECTION AGAINST RISK OF FIRE.  
 REPLACE ONLY WITH SAME TYPE AND RATING OF FUSE

