

RESISTORS				REF.No	CODE No.	RESISTORS				REF.No
RT-00005	3W	35 Kohm	CEMENT	R100	RC-00370	1/4W	150 ohm	CARBON	R223	
RT-00005	3W	35 Kohm	CEMENT	R101	RC-00590	1/4W	2.7Kohm	CARBON	R224	
RT-00078	5W	10 Kohm	CEMENT	R102	RC-00590	1/4W	2.7Kohm	CARBON	R225	
RT-00077	5W	390 ohm	CEMENT	R103	RC-00590	1/4W	2.7Kohm	CARBON	R226	
RC-00977	1/4W	200Kohm	CARBON	R104	RC-00660	1/4W	4.7Kohm	CARBON	R227	
RC-00960	1/4W	150Kohm	CARBON	R105	RT-00520	1/4W	1 Kohm	CARBON	R228	
RC-00660	1/4W	4.7Kohm	CARBON	R106	RT-00890	1/4W	56 Kohm	CARBON	R230	
RC-00810	1/4W	22 Kohm	CARBON	R107	RT-	1/4W	91 Kohm	CARBON	R232	
RC-00520	1/4W	1 Kohm	CARBON	R108	RC-00470	1/4W	560 ohm	CARBON	R233	
RT-00001	3W	0.33ohm	CEMENT	R109	RC-00810	1/4W	22 Kohm	CARBON	R300	
RM-00660	2W	27 Kohm	CEMENT	R110	RC-00800	1/4W	20 Kohm	CARBON	R301	
RC-	1/4W	27 Kohm(1%)	CARBON	R112	RC-00710	1/4W	6.8Kohm	CARBON	R302	
RC-00310	1/4W	47 ohm	CARBON	R113	RC-00660	1/4W	4.7Kohm	CARBON	R304	
RC-00450	1/4W	470 ohm	METAL	R114	RC-	1/4W	430Kohm	CARBON	R305	
RC-00325	1/4W	56 ohm	CARBON	R115	RC-	1/4W	91 Kohm	CARBON	R306	
RC-00270	1/4W	22 ohm	CARBON	R116	RC-00210	1/4W	2.2 ohm	CARBON	R307	
RC-00520	1/4W	1 Kohm	CARBON	R117	RC-00580	1/4W	2.4Kohm	CARBON	R308	
RC-00770	1/4W	12 Kohm	CARBON	R118	RC-00600	1/4W	3 Kohm	CARBON	R309	
RM-00641	2W	10 Kohm	METAL	R119	RC-01150	1/2W	220 ohm	CARBON	R310	
RC-00750	1/4W	10 Kohm	CARBON	R121	RC-00370	1/4W	150 ohm	CARBON	R311	
RC-00960	1/4W	150Kohm	CARBON	R122	RM-00040	1W	1 ohm	METAL	R312	
RT-00045	5W	2 ohm	CEMENT	R123	RC-00350	1/4W	100 ohm	CARBON	R313	
RC-01360	1/2W	1 Mohm	CARBON	R124	RM-	1W	15 ohm	METAL	R314	
RM-00170	1W	220 ohm	METAL	R125	RC-00730	1/4W	8.2Kohm	CARBON	R315	
RC-00540	1/4W	1.5Kohm	CARBON	R200	RC-00840	1/4W	30 Kohm	CARBON	R316	
RC-00540	1/4W	1.5Kohm	CARBON	R201	RC-00520	1/4W	1 Kohm	CARBON	R317	
RC-00540	1/4W	1.5Kohm	CARBON	R202	RC-00730	1/4W	8.2Kohm	CARBON	R319	
RC-00350	1/4W	100 ohm	CARBON	R203	RC-00780	1/4W	15 Kohm	CARBON	R321	
RC-00660	1/4W	4.7Kohm	CARBON	R204	RC-00610	1/4W	3.3Kohm	CARBON	R400	
RC-00770	1/4W	12 Kohm	CARBON	R205	RC-00720	1/4W	7.5Kohm	CARBON	R401	
RC-00430	1/4W	390 ohm	CARBON	R206	RC-00860	1/4W	39Kohm	CARBON	R402	
RC-00270	1/4W	22 ohm	CARBON	R207	RC-00750	1/4W	10Kohm	CARBON	R403	
RC-00810	1/4W	22 Kohm	CARBON	R208	RC-01287	1/2W	100 Kohm	CARBON	R404	
RC-00770	1/4W	12 Kohm	CARBON	R209	RC-00970	1/4W	180Kohm	CARBON	R405	
RC-00770	1/4W	12 Kohm	CARBON	R210	RC-00800	1/4W	20 Kohm	CARBON	R406	
RC-00590	1/4W	2.7Kohm	CARBON	R211	RC-	1/4W	1.5Kohm	CARBON	R407	
RC-00890	1/4W	56 Kohm	CARBON	R212	RC-00660	1/4W	4.7Kohm	CARBON	R408	
RC-00530	1/4W	1.2Kohm	CARBON	R213	RC-00610	1/4W	3.3Kohm	CARBON	R409	
RC-00570	1/4W	2.2Kohm	CARBON	R214	RC-00530	1/4W	1.2Kohm	CARBON	R410	
RC-00520	1/4W	1 Kohm	CARBON	R215	RC-00930	1/4W	100Kohm	CARBON	R411	
RC-00750	1/4W	10 Kohm	CARBON	R216	RC-00720	1/4W	7.5Kohm	CARBON	R412	
RC-00570	1/4W	2.2Kohm	CARBON	R217	RC-00900	1/4W	68 Kohm	CARBON	R413	
RC-00520	1/4W	1 Kohm	CARBON	R218	RC-00370	1/4W	150 ohm	CARBON	R414	
RC-	1/4W	39 Kohm(1%)	CARBON	R219	RC-00690	1/4W	5.6Kohm	CARBON	R416	
RC-	1/4W	100Kohm(1%)	CARBON	R220	RM-	1W	22 ohm	METAL	R417	
RC-	1/4W	430Kohm	CARBON	R221	RC-00490	1/4W	680 ohm	CARBON	R418	
RC-00881	1/4W	47Kohm(1%)	CARBON	R222	RM-00200	1W	330 ohm	METAL	R419	

KT-1403V PART S LIST

CODE No.	DESCRIPTION			REF.No	CODE No.	DESCRIPTION			REF.No
	RESISTORS					RESISTORS			
RC-00370	1/4W	150 ohm	CARBON	R420	RC-00340	1/4W	91 ohm	CARBON	R617
RC-00610	1/4W	3.3Kohm	CARBON	R421	RC-00430	1/4W	390 ohm	CARBON	R619
RC-00270	1/4W	22 ohm	CARBON	R422	RC-00340	1/4W	91 ohm	CARBON	R620
RC-00310	1/4W	47 ohm	CARBON	R423	RC-00326	1/4W	68 ohm	CARBON	R621
RC-00430	1/4W	390 ohm	CARBON	R424	RC-00340	1/4W	91 ohm	CARBON	R622
RC-	1W	56 ohm	METAL	R425	RC-00326	1/4W	68 ohm	CARBON	R623
RC-00520	1/4W	1 Kohm	CARBON	R426	RT-00220	5W	1.8 Kohm	CEMENT	R624
RC-00590	1/4W	2.7Kohm	CARBON	R427	RT-00220	5W	1.8 Kohm	CEMENT	R625
RC-00660	1/4W	4.7Kohm	CARBON	R428	RT-00220	5W	1.8 Kohm	CEMENT	R626
RC-00570	1/4W	2.2Kohm	CARBON	R429	RC-01050	1/4W	820Kohm	CARBON	R627
RC-00770	1/4W	12Kohm	CARBON	R430	RC-00430	1/4W	390 ohm	CARBON	R628
RC-00930	1/4W	100Kohm	CARBON	R431	RC-00830	1/4W	27 Kohm	CARBON	R629
RC-00980	1/4W	220Kohm	CARBON	R432	RC-00430	1/4W	390 ohm	CARBON	R630
RC-00880	1/4W	47Kohm	CARBON	R433	RC-01050	1/4W	820Kohm	CARBON	R631
RC-00930	1/4W	100Kohm	CARBON	R434	RC-00830	1/4W	27 Kohm	CARBON	R632
RC-	1/4W	43Kohm	CARBON	R435	RC-00430	1/4W	390 ohm	CARBON	R633
RC-00780	1/4W	15Kohm	CARBON	R436	RC-00830	1/4W	27 Kohm	CARBON	R634
RC-00520	1/4W	1 Kohm	CARBON	R437	RC-01050	1/4W	820Kohm	CARBON	R635
RC-00930	1/4W	100Kohm	CARBON	R438	RC-00690	1/4W	5.6Kohm	CARBON	R636
RC-00280	1/4W	27 ohm	CARBON	R439	RC-00310	1/4W	47 ohm	CARBON	R637
RC-00780	1/4W	15Kohm	CARBON	R440	RC-00340	1/4W	91 ohm	CARBON	R638
RC-01000	1/4W	330Kohm	CARBON	R501	RC-00326	1/4W	68 ohm	CARBON	R639
RC-01265	1/2W	10Kohm	CARBON	R502	RC-00690	1/4W	5.6 Kohm	CARBON	R640
RC-00970	1/4W	180Kohm	CARBON	R503	RC-00310	1/4W	47 ohm	CARBON	R641
RC-00930	1/4W	100Kohm	CARBON	R504	RC-00310	1/4W	47 ohm	CARBON	R642
RC-00660	1/4W	4.7Kohm	CARBON	R505	RC-00690	1/4W	5.6 Kohm	CARBON	R643
RC-00750	1/4W	10Kohm	CARBON	R506	RC-01130	1/2W	100 ohm	CARBON	R644
RC-00650	1/4W	4.3Kohm	CARBON	R507	RC-01130	1/2W	100 ohm	CARBON	R645
RC-00690	1/4W	5.6Kohm	CARBON	R508	RC-01130	1/2W	100 ohm	CARBON	R646
RC-00300	1/4W	39 ohm	CARBON	R509	RC-01200	1/2W	1 Kohm	CARBON	R647
RC-	1/2W	10Mohm	CARBON	R600	RC-01262	1/2W	10 Kohm	CARBON	R648
RC-00330	1/4W	75 ohm	CARBON	R601	RC-00270	1/4W	22 ohm	CARBON	R649
RC-00330	1/4W	75 ohm	CARBON	R602	RC-00270	1/4W	22 ohm	CARBON	R650
RC-00330	1/4W	75 ohm	CARBON	R603	RC-00270	1/4W	22 ohm	CARBON	R651
RC-00730	1/4W	8.2Kohm	CARBON	R604	RF-00050	1W	1 ohm	FUSIBLE	FR101
RC-00730	1/4W	8.2Kohm	CARBON	R606	RF-00060	1W	4.7 ohm	FUSIBLE	FR102
RC-00730	1/4W	8.2Kohm	CARBON	R607					
RC-00470	1/4W	560 ohm	CARBON	R608					
RC-00430	1/4W	390 ohm	CARBON	R609					
RC-00400	1/4W	220 ohm	CARBON	R610	VR-00917	CET 065C B5K	SEMI-FIXED	VR101	
RC-00430	1/4W	390 ohm	CARBON	R611	VR-00917	CET 065C B5K	SEMI-FIXED	VR201	
RC-00340	1/4W	91 ohm	CARBON	R612	VR-	CET 92H B50K	ROPOT	VR203	
RC-00400	1/4W	220 ohm	CARBON	R613	VR-	CET 92H B20K	ROPOT	VR301	
RC-00350	1/4W	100 ohm	CARBON	R614	VR-00200	CET 065C B300K	SEMI-FIXED	VR303	
RC-00530	1/4W	1.2Kohm	CARBON	R615	VR-01000	CET 065C B10K	SEMI-FIXED	VR403	
RC-00400	1/4W	220 ohm	CARBON	R616	VR-	CET 92H B100K	ROPOT	VR401	
					VR-	CET 92H B5K	ROPOT	VR402	

KT-1403V PART S LIST

CODE No.	DESCRIPTION	REF.No	CODE No.	DESCRIPTION	REF.No
	VARIABLES			CAPACITORS	
VR-00917	CET 065C B50K SEMI-FIXED	VR404	CE-00090	16V 100uF ELECTROLYTIC	C210
VR-00940	CET 065C B2K SEMI-FIXED	VR405	CM-00030	100V 104pF MYLAR	C211
VR-01000	CET 065C B10K SEMI-FIXED	VR406	CC-00110	50V 104pF CERAMIC	C212
VR-	CET 92H B50K ROPOT	VR501	CM-00100	100V 333pF MYLAR	C300
VR-	CET 92H B10K ROPOT	VR502	CM-00110	100V 334pF MYLAR	C301
VR-01000	CET 065C B10K SEMI-FIXED	VR503	CM-00020	100V 103pF MYLAR	C302
VR-	CET 068C B100 SEMI-FIXED	VR601	CM-00030	100V 104pF MYLAR	C303
VR-	CET 068C B100 SEMI-FIXED	VR602	CM-00030	100V 104pF MYLAR	C304
VR-	CET 068C B10K SEMI-FIXED	VR603	CM-00010	100V 102pF MYLAR	C305
VR-	CET 068C B10K SEMI-FIXED	VR604	CM-00080	100V 224pF MYLAR	C306
VR-	CET 068C B10K SEMI-FIXED	VR605	CE-00220	35V 47uF ELECTROLYTIC	C307
			CM-00020	100V 103pF MYLAR	C308
			CE-00240	35V 220uF ELECTROLYTIC	C309
CC-	250V AC 224pF CERAMIC	C102	CC-00110	50V 104pF CERAMIC	C310
CC-00610	250V AC 222pF CERAMIC	C103	CE-00210	25V 2200uF ELECTROLYTIC	C311
CC-00610	250V AC 222pF CERAMIC	C104	CE-00210	25V 2200uF ELECTROLYTIC	C312
CE-00710	400V 330uF ELECTROLYTIC	C105	CE-00340	50V 22uF ELECTROLYTIC	C313
CL-00210	630V 473pF(K) METALLIZED	C106	CE-00365	50V 100uF ELECTROLYTIC	C314
CE-00180	25V 100uF ELECTROLYTIC	C107	CE-00290	50V 2.2uF ELECTROLYTIC	C315
CE-00360	50V 47uF ELECTROLYTIC	C108	CM-00080	100V 224pF MYLAR	C316
CC-00090	50V 100pF CERAMIC	C109	CM-00030	100V 104pF MYLAR	C320
CM-00090	100V 332pF MYLAR	C110	CE-00300	50V 3.3uF ELECTROLYTIC	C400
CM-00090	100V 332pF MYLAR	C112	CC-00110	50V 104pF CERAMIC	C401
CM-00110	100V 334pF MYLAR	C111	CE-00100	16V 220uF ELECTROLYTIC	C402
CC-00480	1KV 471pF CERAMIC	C114	CE-00280	50V 1uF ELECTROLYTIC	C403
CM-00060	100V 222pF MYLAR	C115	CM-00030	100V 104pF MYLAR	C404
CM-00020	100V 103pF MYLAR	C116	CM-00030	100V 104pF MYLAR	C405
CE-00587	160V 100uF ELECTROLYTIC	C118	CM-	100V 102pF(J) MYLAR	C406
CE-00230	35V 100uF ELECTROLYTIC	C119	CE-00270	50V 0.47uF ELECTROLYTIC	C407
CE-00587	160V 100uF ELECTROLYTIC	C121	CE-00310	50V 4.7uF ELECTROLYTIC	C408
CE-00240	35V 220uF ELECTROLYTIC	C122	CM-00020	100V 103pF MYLAR	C409
CE-00200	25V 470uF ELECTROLYTIC	C123	CM-00020	100V 103pF MYLAR	C410
CE-00090	16V 100uF ELECTROLYTIC	C126	CC-00130	50V 151pF CERAMIC	C411
CE-00100	16V 220uF ELECTROLYTIC	C127	CE-00330	50V 10uF ELECTROLYTIC	C412
CC-00110	50V 104pF CERAMIC	C128	CM-00010	100V 102pF MYLAR	C413
CC-00110	50V 104pF CERAMIC	C129	CL-00370	1.6KV 332pF(J) METALLIZED	C414
CC-00110	50V 104pF CERAMIC	C130	CL-00192	630V 153pF(J) METALLIZED	C415
CC-00620	250V AC 472pF CERAMIC	C131	CL-00380	1.6KV 392pF(J) METALLIZED	C416
CC-00620	250V AC 472pF CERAMIC	C132	CL-	250V 824pF(J) MYLAR	C417
CC-00380	500V 221pF CERAMIC	C133	CE-00200	25V 470uF ELECTROLYTIC	C418
CE-00330	50V 10uF ELECTROLYTIC	C201	CE-00200	25V 470uF ELECTROLYTIC	C419
CE-00330	50V 10uF ELECTROLYTIC	C202	CE-00530	160V 22uF ELECTROLYTIC	C420
CM-00020	100V 103pF MYLAR	C204	CE-00280	50V 1uF ELECTROLYTIC	C421
CC-00110	50V 104pF CERAMIC	C205	CE-00280	50V 1uF ELECTROLYTIC	C422
CM-00230	100V 102pF(J) MYLAR(N.P)	C206	CE-00520	160V 10uF ELECTROLYTIC	C423
M-00080	100V 224pF MYLAR	C207	CE-00330	50V 10uF ELECTROLYTIC	C424
CM-00080	100V 224pF MYLAR	C208	CE-00480	160V 1uF ELECTROLYTIC	C425
CE-00080	16V 47uF ELECTROLYTIC	C209	CM-	100V(N.P)152pF(J) MYLAR	C426

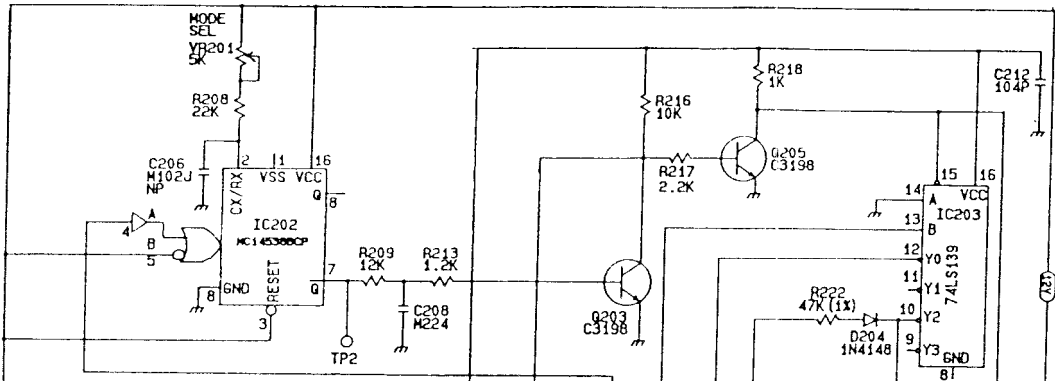
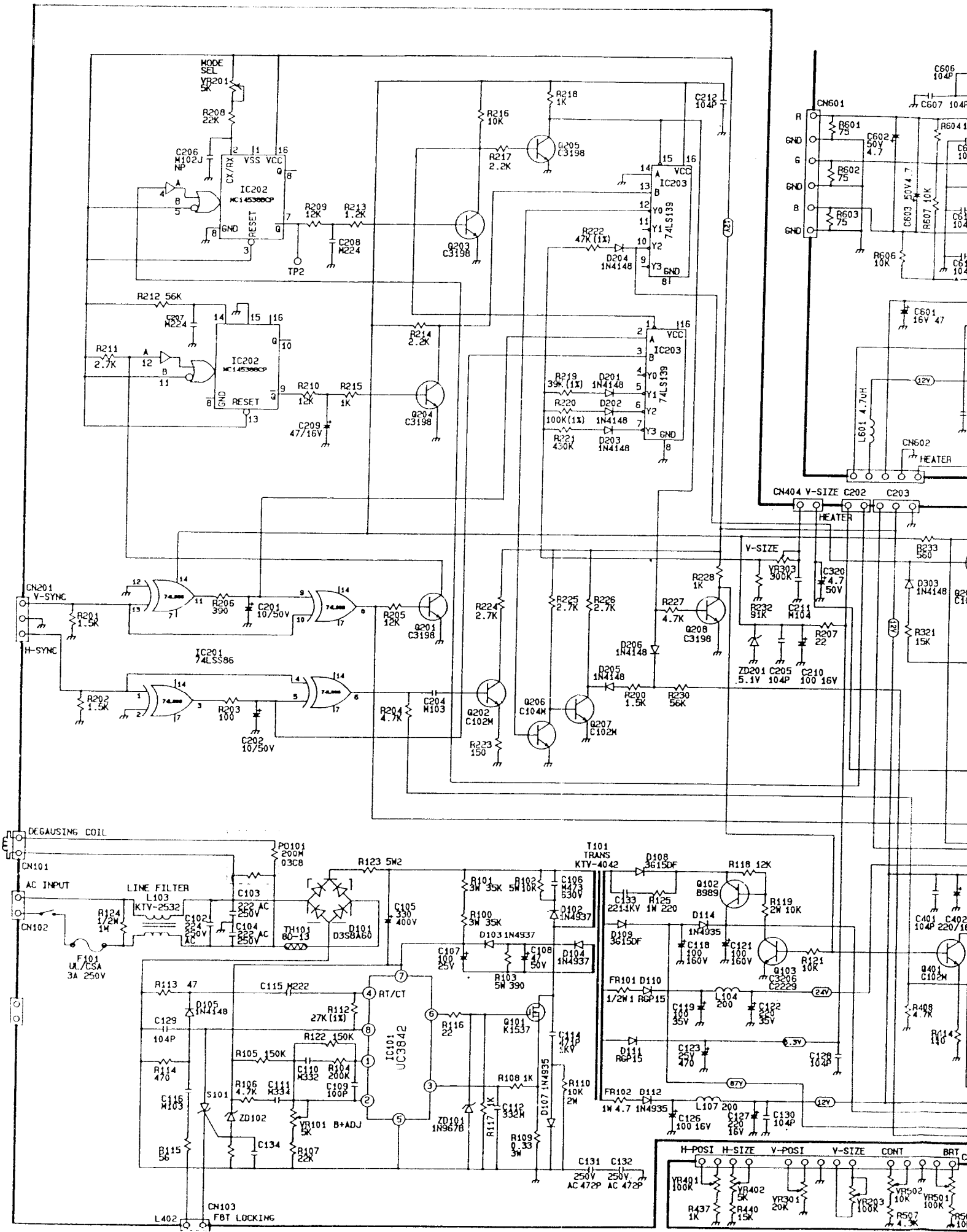
KT-1403V PART S LIST

CODE No.	DESCRIPTION			REF.No	CODE No.	DESCRIPTION		REF.No
CAPACITORS								
CE-	400V	1uF	ELECTROLYTIC	C501	DO-00055	1N4935	DIODE	D114
CM-00040	100V	153pF(K)	MYLAR	C502	DO-00050	1N4148	DIODE	D201
CE-00310	50V	4.7uF	ELECTROLYTIC	C503	DO-00050	1N4148	DIODE	D202
CE-00330	50V	10uF	ELECTROLYTIC	C504	DO-00050	1N4148	DIODE	D203
CE-00475	100V	10uF	ELECTROLYTIC	C506	DO-00050	1N4148	DIODE	D204
CE-00310	50V	4.7uF	ELECTROLYTIC	C601	DO-00050	1N4148	DIODE	D205
CE-00310	50V	4.7uF	ELECTROLYTIC	C602	DO-00050	1N4148	DIODE	D206
CE-00310	50V	4.7uF	ELECTROLYTIC	C603	DO-00050	1N4148	DIODE	D301
CE-00100	16V	220uF	ELECTROLYTIC	C604	DO-00010	1N4002	DIODE	D302
CC-00110	50V	104pF	CERAMIC	C605	DO-00050	1N4148	DIODE	D303
CC-00110	50V	104pF	CERAMIC	C607	DO-00055	1N4935	DIODE	D401
CE-00310	50V	4.7uF	ELECTROLYTIC	C608	DO-00455	RU4DS	DIODE	D402
CC-00110	50V	104pF	CERAMIC	C610	DO-00404	HER305	DIODE	D403
CC-00110	50V	104pF	CERAMIC	C611	DO-00055	1N4935	DIODE	D404
CE-00080	16V	47uF	ELECTROLYTIC	C613	DO-00055	1N4935	DIODE	D405
CM-00030	100V	104pF	MYLAR	C614	DO-00060	1N4937	DIODE	D501
CC-00365	500V	151pF	CERAMIC	C615	DO-00055	1N4935	DIODE	D502
CC-00365	500V	151pF	CERAMIC	C617	DO-00010	1N4002	DIODE	D503
CC-00110	50V	104pF	CERAMIC	C622	DO-00010	1N4002	DIODE	D504
CE-00730	50V	1uF(B.P)	ELECTROLYTIC	C623	DO-00050	1N4148	DIODE	D601
CE-00480	160V	1uF	ELECTROLYTIC	C624	DO-00050	1N4148	DIODE	D602
CE-00480	160V	1uF	ELECTROLYTIC	C625	DO-00050	1N4148	DIODE	D603
CE-00480	160V	1uF	ELECTROLYTIC	C626	DO-00055	1N4935	DIODE	D604
CC-00390	500V	222pF	CERAMIC	C627	DO-00055	1N4935	DIODE	D605
CC-00365	500V	151pF	CERAMIC	C628	DO-00055	1N4935	DIODE	D606
CE-00730	50V	1uF(B.P)	ELECTROLYTIC	C629				
CE-00080	16V	47uF	ELECTROLYTIC	C631			ICS	
CE-00471	100V	47uF	ELECTROLYTIC	C632	IC-00080	UC3842	IC	IC101
CC-00455	1KV	102pF	CERAMIC	C633	IC-00700	GD74LS86	IC	IC201
CE-00730	50V	1uF(B.P)	ELECTROLYTIC	C634	IC-00730	MC14538BCP	IC	IC202
					IC-	GD74LS139	IC	IC203
					IC-00240	TDA1675A	IC	IC301
					IC-00710	TDA1180P	IC	IC401
					IC-00720	GL358	IC	IC402
					IC-	LM1203N	IC	IC601
DIODES								
DO-00165	1N967B		ZENER	ZD101				
DO-00120	1N5231		ZENER	ZD201				
DO-00115	0.5W 3.6V		ZENER	ZD301				
DO-00160	0.5W 12V		ZENER	ZD401				
DO-00120	1N5231		ZENER	ZD602				
DO-00456	D3SBA60.RBV406		BRIDGE	D101	TR-	K1537	TRANSISTOR	Q101
DO-00060	1N4937		DIODE	D102	TR-00610	B989	TRANSISTOR	Q102
DO-00060	1N4937		DIODE	D103	TR-00640	C3206-Y	TRANSISTOR	Q103
DO-00060	1N4937		DIODE	D104	TR-00620	C3198Y	TRANSISTOR	Q201
DO-00050	1N4148		DIODE	D105	TR-	C102M	TRANSISTOR	Q202
DO-00055	1N4935		DIODE	D107	TR-00620	C3198Y	TRANSISTOR	Q203
DO-00403	S2L60		DIODE	D108	TR-00620	C3198Y	TRANSISTOR	Q204
DO-00403	S2L60		DIODE	D109	TR-00620	C3198Y	TRANSISTOR	Q205
DO-00480	RGP15J		DIODE	D110	TR-	C102M	TRANSISTOR	Q206
DO-00480	RGP15J		DIODE	D111	TR-	C102M	TRANSISTOR	Q207
DO-00055	1N4935		DIODE	D112	TR-00620	C3198Y	TRANSISTOR	Q208
TRANSISTORS								

KT-1403V PART 'S LIST

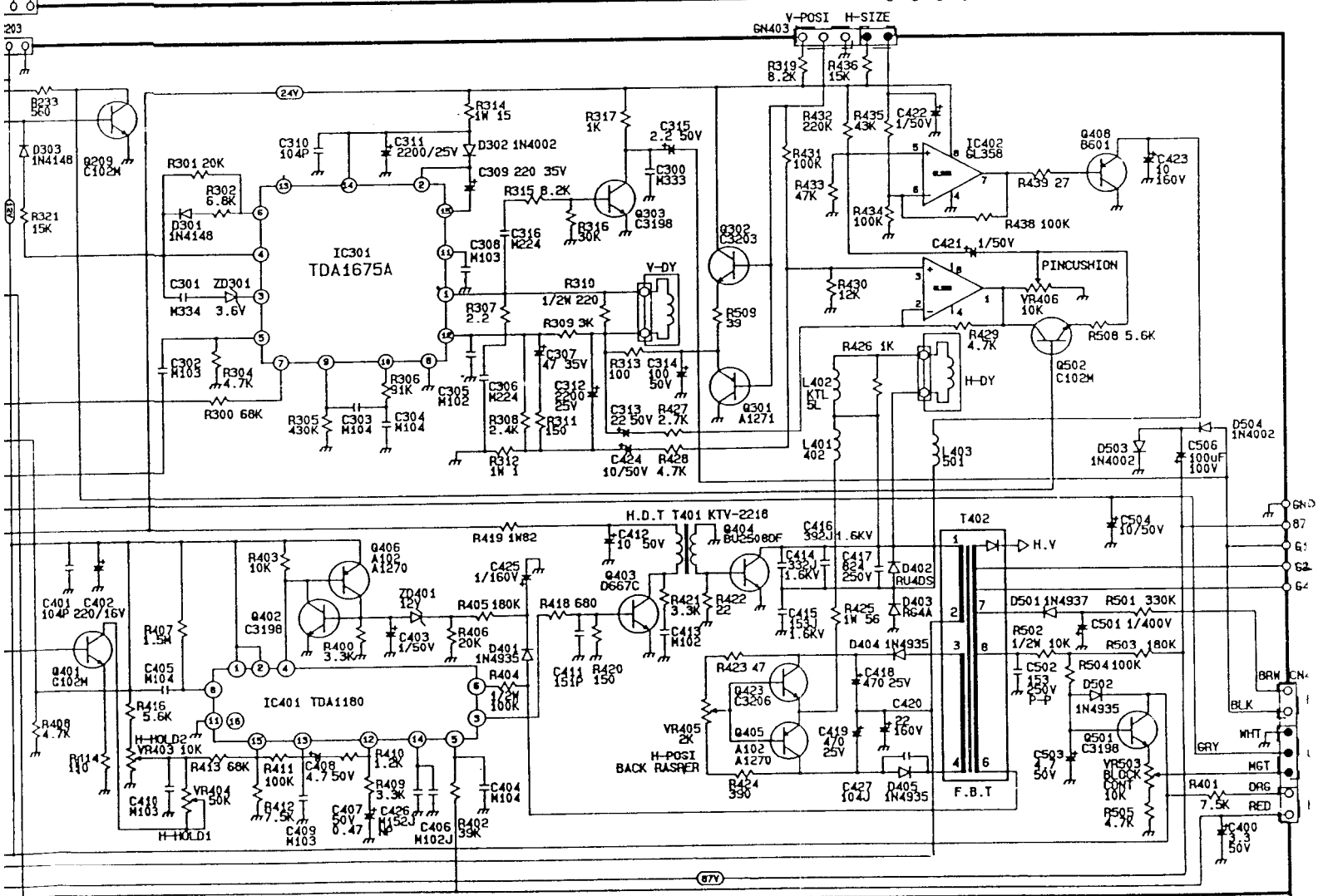
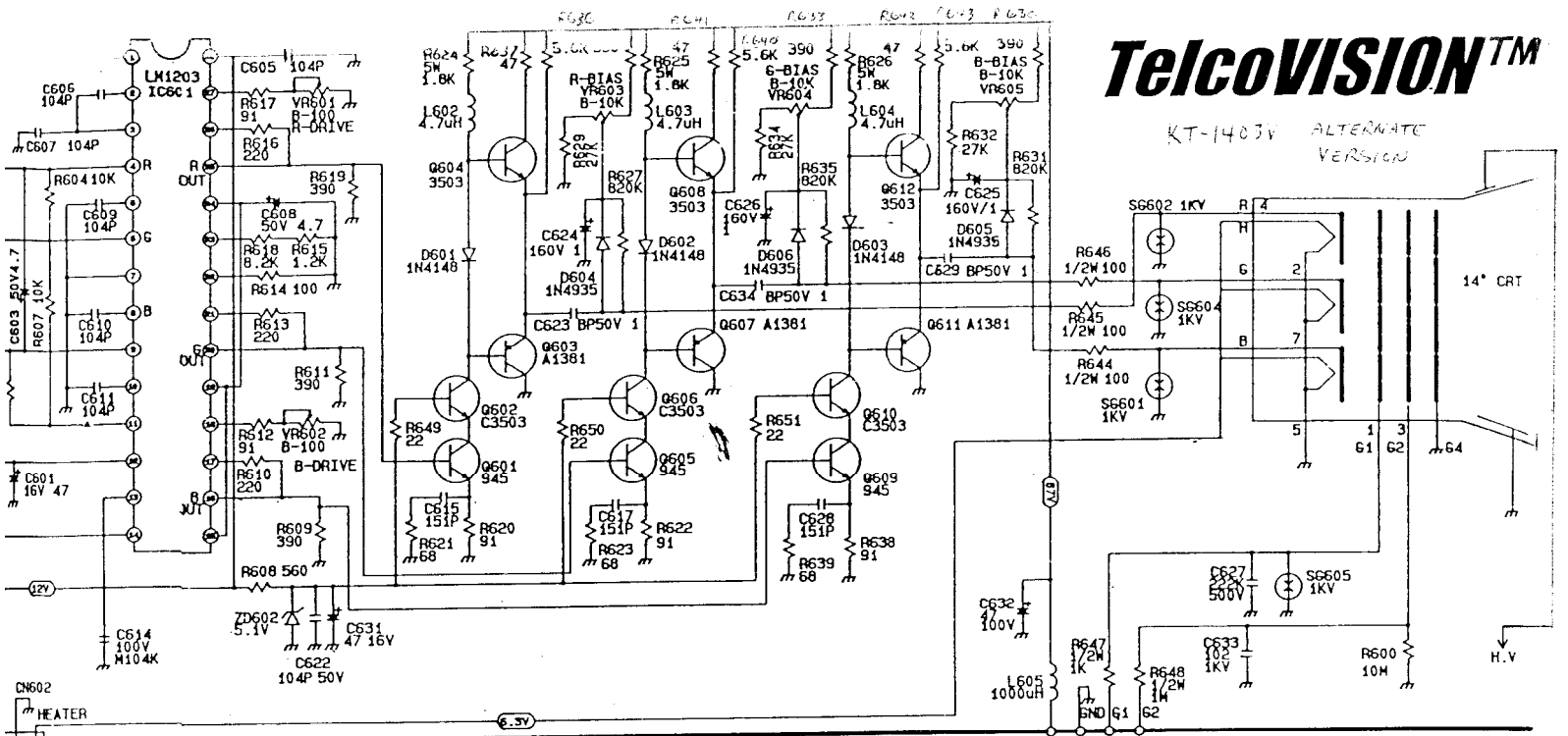
CODE No.	DESCRIPTION	REF.No	CODE No.	DESCRIPTION	REF.No	
	TRANSISTORS			COILS & TRANS		
TR-	C102M	TRANSISTOR	Q209	PR-00010	200M03C8 POSISTOR	PO101
TR-00590	A1271-Y	TRANSISTOR	Q301			
TR-00630	C3203-Y	TRANSISTOR	Q302			
TR-00620	C3198-Y	TRANSISTOR	Q303			
TR-	C102M	TRANSISTOR	Q401			
TR-00620	C3198Y	TRANSISTOR	Q402			
TR-	D667C,C2235	TRANSISTOR	Q403			
TR-00370	D1879	TRANSISTOR	Q404			
TR-00600	A1023-Y	TRANSISTOR	Q405			
TR-00600	A1023-Y	TRANSISTOR	Q406			
TR-00640	C3206-Y	TRANSISTOR	Q407			
TR-	B601	TRANSISTOR	Q408			
TR-00620	C3198Y	TRANSISTOR	Q501			
TR-	C102M	TRANSISTOR	Q502			
TR-00560	C3503	TRANSISTOR	Q602			
TR-00560	C3503	TRANSISTOR	Q606			
TR-00560	C3503	TRANSISTOR	Q610			
TR-	C3504	TRANSISTOR	Q601			
TR-00570	A1381	TRANSISTOR	Q603			
TR-	C3502	TRANSISTOR	Q604			
TR-	C3504	TRANSISTOR	Q605			
TR-00570	A1381	TRANSISTOR	Q607			
TR-	C3502	TRANSISTOR	Q608			
TR-	C3504	TRANSISTOR	Q609			
TR-00570	A1381	TRANSISTOR	Q611			
TR-	C3502	TRANSISTOR	Q612			
	COILS & TRANS					
CO-00720	KTV-2532	LINE FILTER	L103			
CO-00680	200	CHOKE	L104			
CO-00680	200	CHOKE	L107			
CO-00690	402	CHOKE	L401			
CO-00730	KTL. 5L	LINEARITY	L402			
CO-	501	LINEARITY	L403			
CO-00650	4.7uH	03형	L601			
CO-00650	4.7uH	03형	L602			
CO-00650	4.7uH	03형	L603			
CO-00650	4.7uH	03형	L604			
CO-00430	100	CHOKE-COIL	L605			
SG-00010	1KV	SPARK GAP	SG601			
SG-00010	1KV	SPARK GAP	SG602			
SG-00010	1KV	SPARK GAP	SG604			
CO-00700	KTV-4042	SWITCHING	T101			
CO-00710	KTV-2218	DRIVE	T401			
FS-00090	250V 3A	FUSE	F101			
FC-00010		FUSE CLIP				
FT-00200	KFS-61202	FBT	T402			
TH-00010	8D-13	THEMISTOR	TH101			

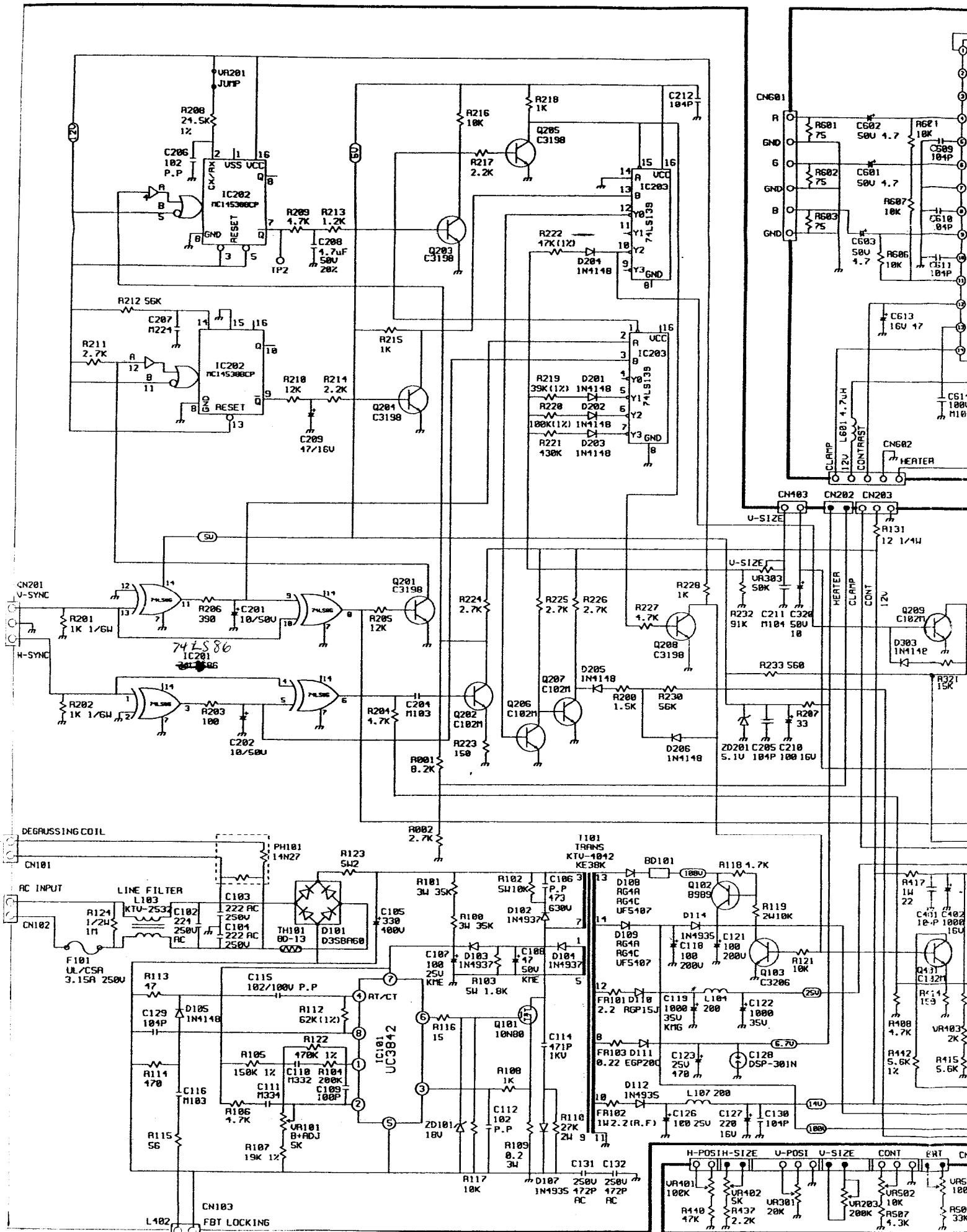
www.telcointercon.com

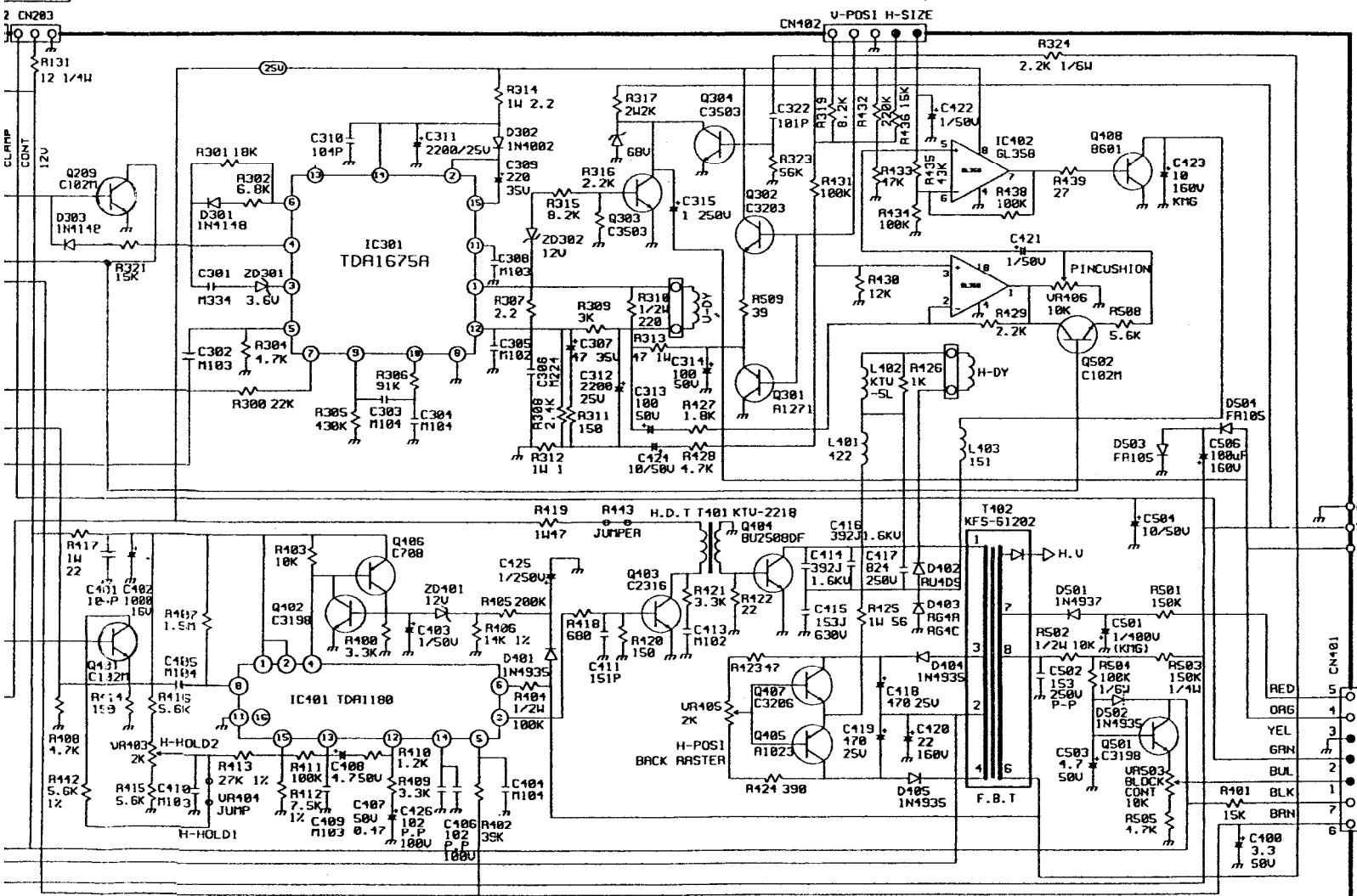
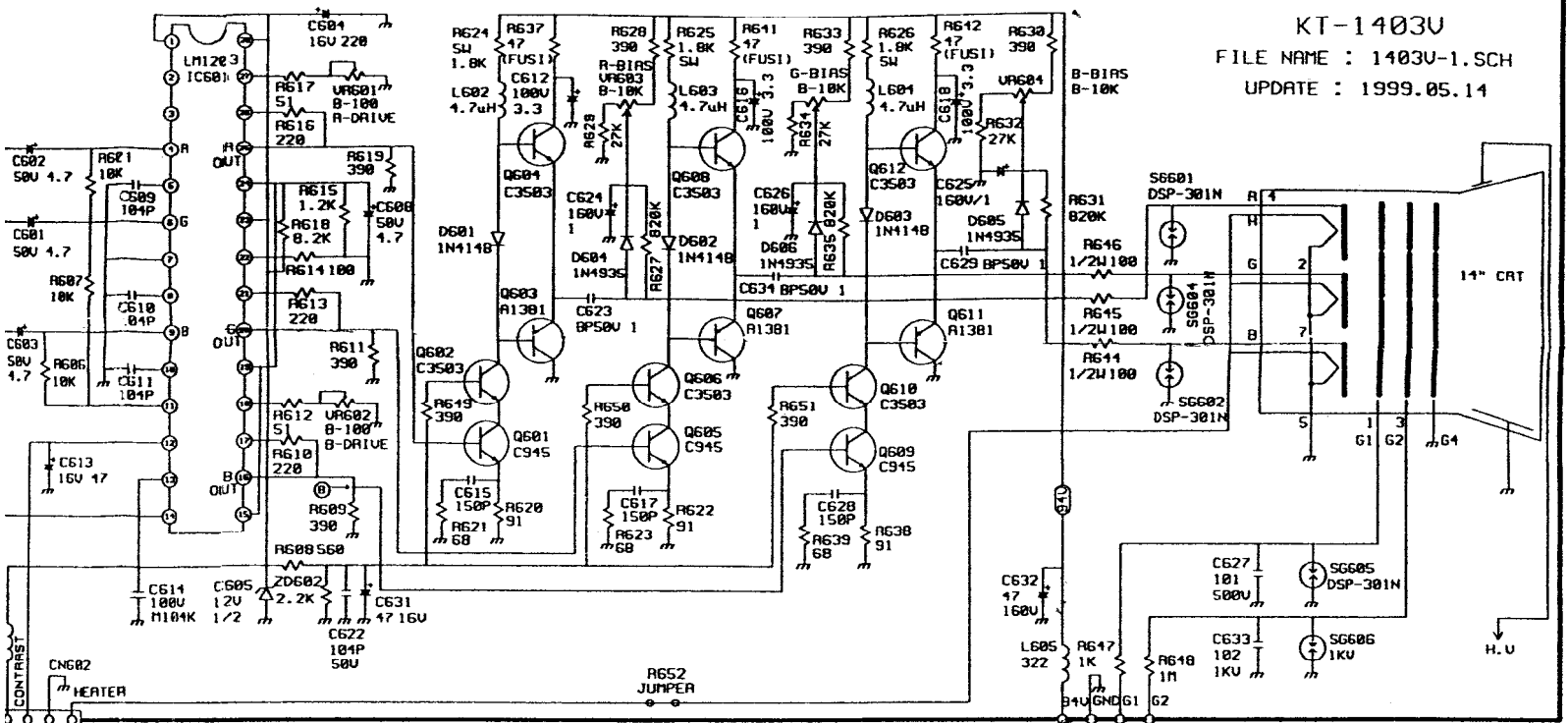


TelcoVISION™

KT-1403V ALTERNATE
VERSION







LOC/MODEL	1403U	1403U (BALLY)	LOC/MODEL	1403U
1. R131		12ohm	8. C606, C607	50V/104pF
2. R207		33ohm	9. 2D	1/2W 0.2U
3. R417	22ohm	22ohm	10. C133	1KV 101pF (EP)
4. R437		2.2Kohm	11. R125	1W 4.7K
5. R601, 602, 603		27ohm		
6. R609, 611, 619		100ohm		
7. R502		100Kohm		