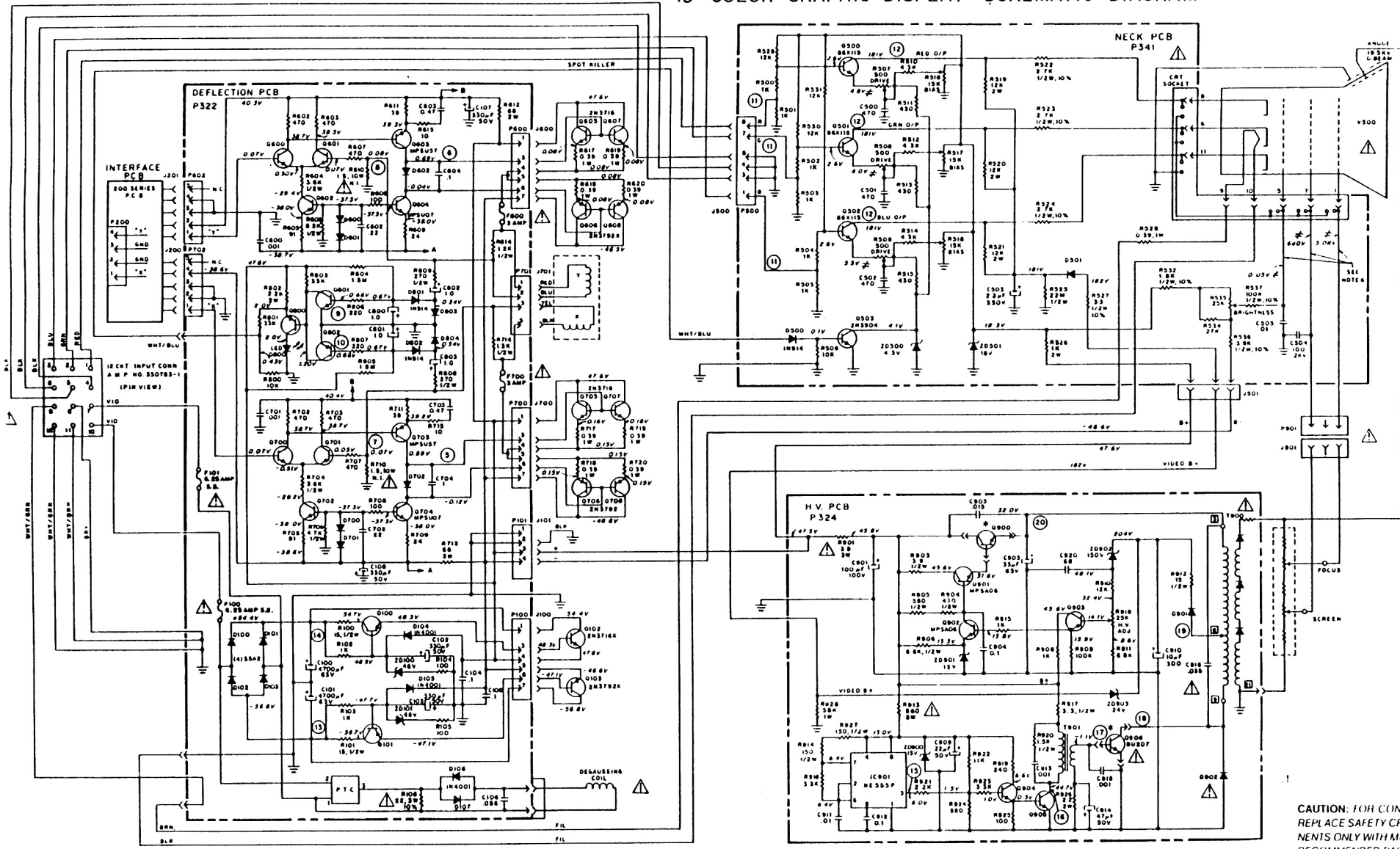


19" COLOR GRAPHIC DISPLAY SCHEMATIC DIAGRAM



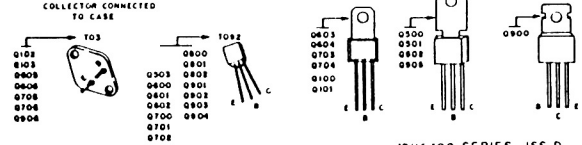
GENERAL NOTES:
 1. RESISTANCE VALUES IN OHMS 1/4 WATT, 5% UNLESS OTHERWISE NOTED. R = 1,000. M = 1,000,000.
 2. CAPACITANCE VALUE OF 1 OR LESS IN MICROFARADS, ABOVE 1 IN PICOFARADS UNLESS OTHERWISE NOTED.
 3. * 8900 AND 0806 ARE NOT ON HV PCB.

4. ALL DC VOLTAGES \pm 10% MEASURED FROM POINT INDICATED TO GROUND USING A HIGH IMPEDANCE METER. VOLTAGES ARE MEASURED WITH NO SIGNAL INPUT AND CONTROLS ARE IN A NORMAL OPERATING POSITION.

5. USE A 1000 Ω PROBE WHEN MEASURING SCREEN OR FOCUS VOLTAGE.

6. μ VOLTAGE VARIES WITH CONTROL SETTINGS.

7. CIRCLED NUMBERS INDICATE LOCATIONS OF WAVEFORM READINGS.



CAUTION: FOR CONTINUED SAFETY, REPLACE SAFETY CRITICAL COMPONENTS ONLY WITH MANUFACTURER'S RECOMMENDED PARTS.

AVERTISSEMENT: POUR MAINTENIR LE DEGRE DE SECURITE DE L'APPAREIL, NE REMPLACER LES COMPOSANTS DONT LE FONCTIONNEMENT EST CRITIQUE POUR LA SECURITE QUE PAR DES PIECES RECOMMANDEES PAR LE FABRICANT.