

Note: Unless otherwise specified:  
 1. All resistor values are in ohms, 1/4 W, 5%  
 2. All capacitor values are in  $\mu\text{F}$ .

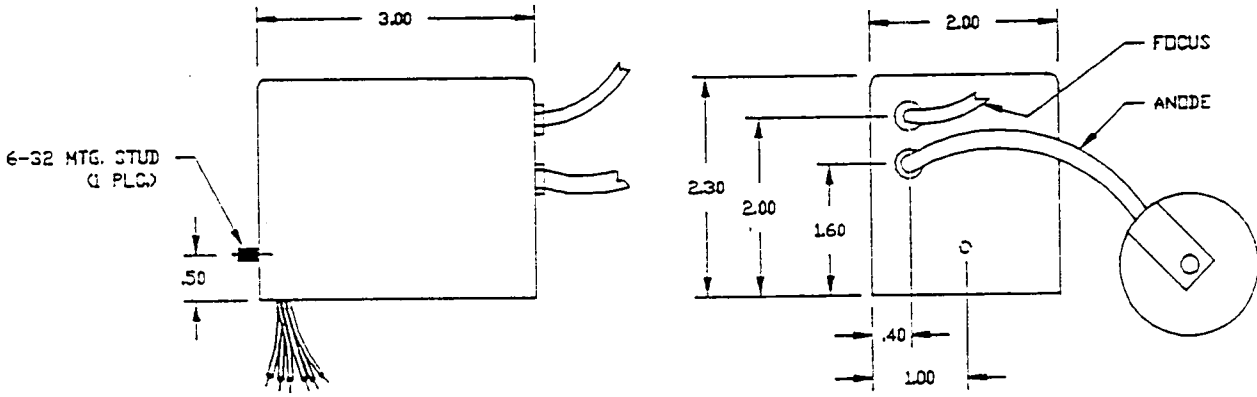
DESIGNATOR	
LAST USED	NOT USED
R19	R1-4, 14
C13	
Q5	
VR2	
T2	
FA1	
U1	
MC1	
CR6	
WI	

**WARNING**  
 Components identified by shading have special characteristics important to safety and must be replaced only with identical parts.

Figure 11 High-Voltage PCB Schematic Diagram

NO.	720882802
NO.	REVISIONS
A	ADDED LEAD CONNECTIONS AS PER R.R. 9/19/96 G.R.H.

UNCONTROLLED DOCUMENT



SPECIFICATIONS:	
B+	+48 VDC
HV	19.5 KVDC
RINGING	< 15%
FILA. SEC	6.3V. P-P
SEC	185V. P-P
SEC	12 KVDC
FREQ	24 KHz
RETRACE	8.3uSEC
PRIMARY PULSE	330V. P-P

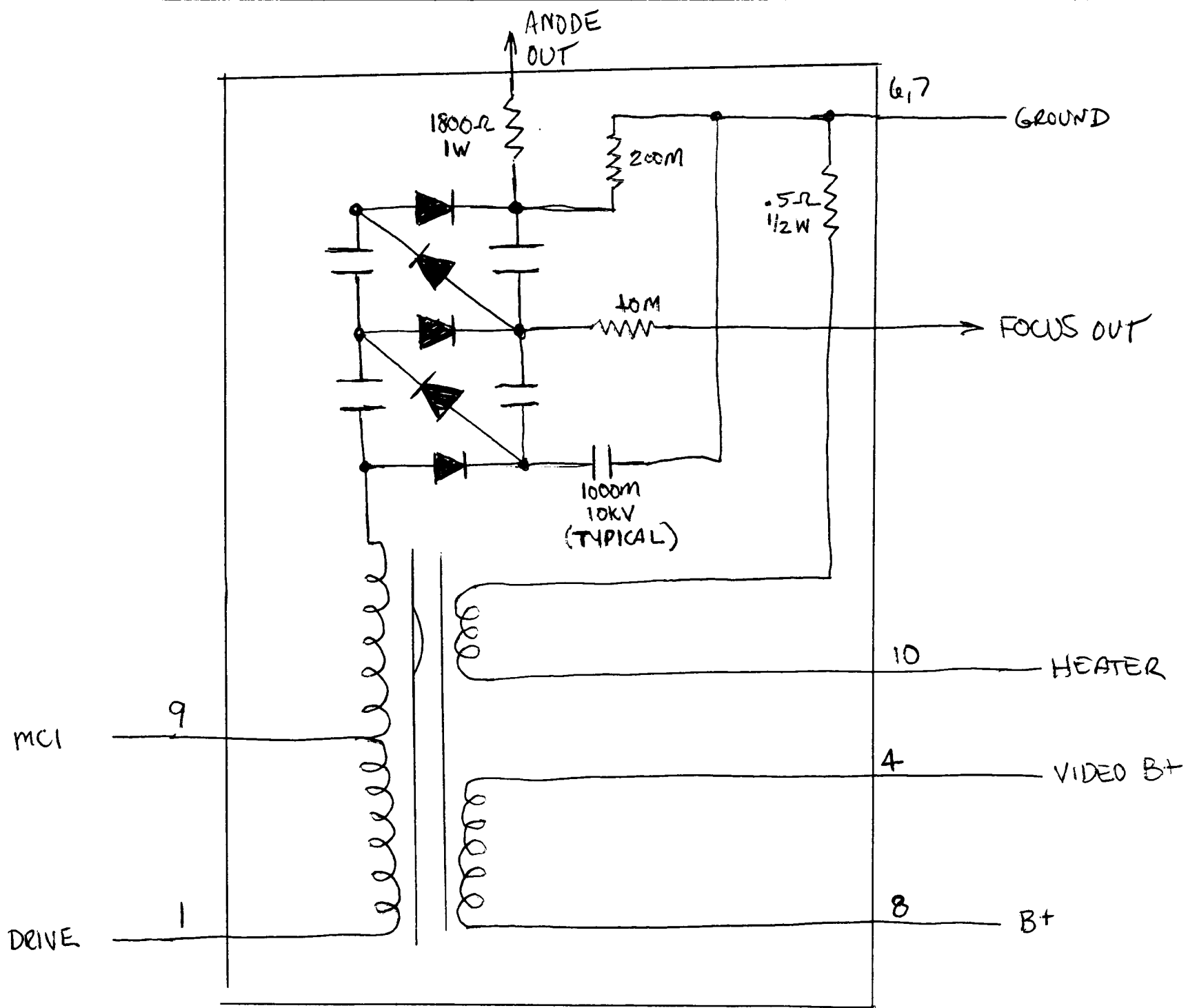
LEAD CONNECTIONS:  
 RED - 9 - B+  
 YELLOW - 8 - START OF 180V SEC.  
 BLACK - 6,7 - GROUND  
 GREEN - 4 - 180V SEC (VIDED B+)  
 ORANGE - 1 - COLLECTOR OF SWITCH TRANSISTOR  
 GRAY - 10(KHTR1) - FILAMENT

SHEET # 3



REF. DWG.# 3462-51(S3)

CHECKED BY <i>K. K. K.</i>	TOLERANCES UNLESS OTHERWISE SPECIFIED	MATERIAL	CUSTOMER DRAWING	PART	H.V. SUPPLY OUTLINE
	DECIMAL 3 PLCS ±.015 2 PLCS ±.02 FRACT. ±1/64 ANG. ±1°	CUSTOMER		DWG. NO.	26862802
DATE		A201005-01 ATARI			
9/19/96					



INNER SCHEMATIC:

TERMINAL #'S MATCH OWES ON SCHEMATIC

# TRANSFORMER DETAIL°

