

SCHEMATIC FOR
9-186-03
SWEEP BOARD
RGB COLOR MONITOR

ZENITH RADIO CORP. CHICAGO, ILL.	ISSUE B	9-186
--	------------	-------

M051-00087-A021

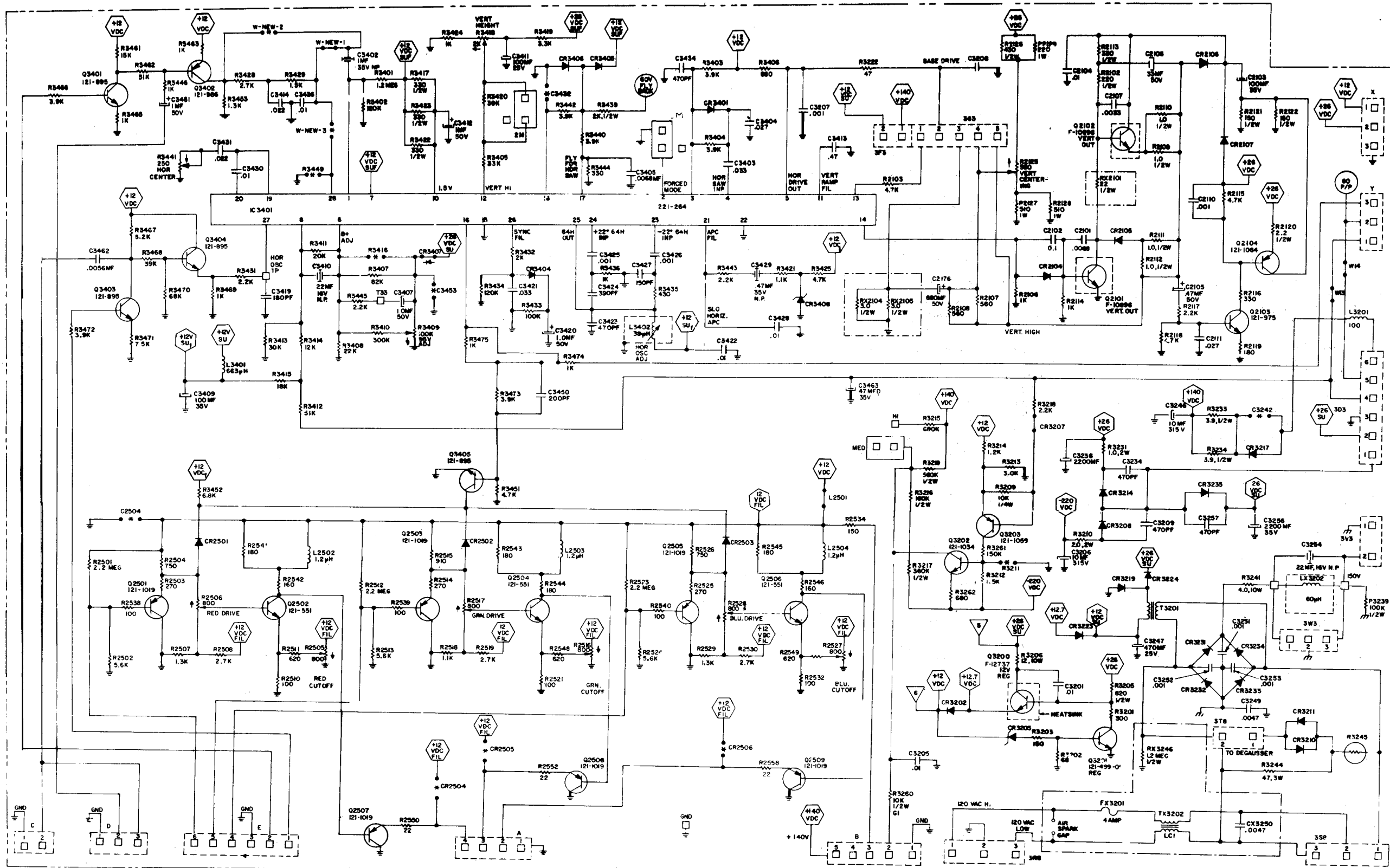
NOTES:
1. ALL RESISTORS ARE 1/4 WATT FILM 5% TOLERANCE UNLESS OTHERWISE SPECIFIED.
2. ALL CAPACITORS ARE IN MICROFARADS UNLESS OTHERWISE SPECIFIED.

NOTES: (USED WITH CIRCUIT REFERENCE DESIGNATORS)
A. - P.L. - SEE PARTS LIST FOR APPLICABLE USAGE.
B. - JUMPER WIRE USED INSTEAD.
C. - * - PROVISION ON PRINTED CIRCUIT BOARD.

ZENITH MONITOR — SWEEP BOARD REPLACEMENT PARTS LIST

SWEEP BOARD (9-186-03)

Ref. No.	Part No.	Description	Ref. No.	Part No.	Description
CAPACITORS			TRANSFORMERS & COILS		
C2131	22-7508	47 MF, 35V, ±20% Electrolytic	L3207	149-454	Core, Ferrite Bead
C2152	22-7508-01C	22 MF, 35V, ±20% Electrolytic	L3220	F-13834	Core & Sleeving Assy. (149-509-01)
C3201	22-7410-05	10 MF, 100V, ±20% Electrolytic	LX3261	20-3976	Coil Width
CX3202	22-7710-01C	1 MF, 50V, +50%–10% Electrolytic	LX3262	20-3975	Coil, Linearity, with 205-271 Hot Melt
C3203	22-7711-08C	47 MF, 63V, +50%–10% Electrolytic	T3205	95-3344	Transformer, Horizontal Driver
CX3204	22-7773-24A	0.1 MF, 100V, ±5% Polyester	TX3204	95-3581-01	Transformer, Sweep
CX3205	22-7523-01	0.01 MF, 2KV, ±20% Disc			
C3206	22-7708-04C	4.7 MF, 25V, +50%–10% Electrolytic			
C3207	22-5665	330 PF, 1000V, ±10% Disc	R2105	63-9921-94	8.2K Ohm, ±5% 1/4W Film
C3209	22-7242	0.0018 MF, 200V, ±10% Disc	R2110	63-9921-64	470K Ohm, ±5% 1/4W Film
C3211	22-7777-20B	0.047 MF, 200V, ±10% Polyester	R2111	63-9919-83	3K Ohm, ±2% 1/4W Film
C3212	22-7234	560 PF, 500V, ±10% Disc	R2112	63-9919-96	10K Ohm, ±2% 1/4W Film
C3213	22-7775-16A	0.022 MF, 100V, ±20% Polyester	RX3204	63-9921-80	2.2K Ohm, ±5% 1/4W Film
C3214	22-7775-10A	0.0068 MF, 100V, ±20% Polyester	RX3206	63-7805	3.3K Ohm, ±5% 1/2W Carbon
C3216	22-5684	470 PF, 500V, ±20% Disc	RX3207	63-9921-32	22 Ohm, ±5% 1/4W Film
C3217	22-5684	470 PF, 500V, ±20% Disc	RX3208	63-10235-80	2.2K Ohm, ±5% 1/4W Film
C3218	22-7774-15C	0.018 MF, 100V, ±10% Polyester	RX3209	63-10235-72	1K Ohm, ±5% 1/4W Film
C3222	22-7742-10	0.001 MF, 50V, ±10% Axial	RX3210	63-7805	3.3K Ohm, ±5% 1/2W Carbon
CX3228	22-6466	530 PF, 3KV, ±10% Disc	RX3211	63-10810-07	3K Ohm, ±1% 1/2W Film
CX3229	22-7672-07	0.013 MF, 1.6KV, ±5% Polypropylene	RX3214	63-10233-81	2.4K Ohm, ±2% 1/4W Film
C3233	22-7728	0.68 MF, 200V, ±10% Polyester	RX3216	63-10810-06	1.2K Ohm, ±1% 1/2W Film
C3244	22-7566-24	0.1 MF, 250V, ±10% Polyester	RX3217	63-7760	270 Ohm, ±5% 1/2W Carbon
C3261	22-7683-01	0.68 MF, 200V, ±5% Polypropylene	RX3215	63-10235-98	12K Ohm, ±5% 1/4W Film
			RX3218	63-10235-82	2.7K Ohm, ±5% 1/4W Film
			RX3219	63-10235-88	4.7K Ohm, ±5% 1/4W Film
			R3224	63-9946-88	4.7K Ohm, ±5% 1/2W Film
			R3225	63-10836-68	680 Ohm, ±5% 2W Wire Wound
			R3226	63-10235-74	1.2K Ohm, ±5% 1/4W Film
			R3227	63-10235-80	2.2K Ohm, ±5% 1/4W Film
			RX3235	63-10810-06	1.2K Ohm, ±1% 1/2W Film
			RX3240	53-10657-04	10 Meg Ohm, ±20% 1/2W Carbon
			R3242	63-10243-80	2.2K Ohm, ±5% 1/2W Film
			R3243	63-10243-80	2.2K Ohm, ±5% 1/2W Film
			R3244	63-7868	100K Ohm, ±5% 1/2W Carbon
			R3261	63-10444-86	390 Ohm, ±10% 5W Wire Wound
			R3262	63-10565-65	510 Ohm, ±10% 1/2W Film
			R3263	63-10565-65	510 Ohm, ±10% 1/2W Film
			R3282	63-10235-96	10K Ohm, ±5% 1/4W Film
SEMICONDUCTORS					
CR3202	103-142-01	Diode, Low Voltage			
CR3203	103-330A	Diode, Low Voltage			
CRX3204	103-308A	Diode, Zener			
CR3205	103-305	Diode, Damper			
CR3206	103-284A	Diode, Low Voltage			
CR3207	103-295-01A	Diode, Low Voltage (used with 149-454)			
CR3208	103-295-01A	Diode, Low Voltage			
CR3209	103-142-01	Diode, Low Voltage			
CR3210	103-142-01	Diode, Low Voltage			
CR3211	103-142-01	Diode, Low Voltage			
QX3202	121-975	Transistor, NPN			
QX3204	121-973	Transistor, PNP, Shutdown			
Q3206	121-1037	Transistor, NPN, Forward Driver			
QX3207	121-975	Transistor, NPN, Shutdown			
Q3209	121-1040	Transistor, NPN, Reverse Driver			



SCHEMATIC FOR
9-227-01
RGB COLOR MONITOR
(MAIN BOARD)

ZENITH RADIO CORP. CHICAGO, ILL.	C	9-227
--	---	-------

M051-00087-A024

ZENITH MONITOR — MAIN BOARD REPLACEMENT PARTS LIST

Board 9-227		Board 9-227		
9-227	-01	Ref. No.	Part No.	Description
RESISTORS				
X	X	RX2101	63-10565-32	22 Ohm, ±5%, 1/2W Film
X	X	R2102	63-10243-56	220 Ohm, ±5%, 1/2W Film
X	X	R2103	63-10235-88	4.7K Ohm, ±5%, 1/2W Film
X	X	RX2104	63-10243-11	3 Ohm, ±5%, 1/2W Film
X	X	RX2105	63-10243-11	3 Ohm, ±5%, 1/2W Film
X	X	R2106	63-10235-72	1K Ohm, ±5%, 1/4W Film
X	X	R2107	63-10235-66	560 Ohm, ±5%, 1/4W Film
X	X	R2108	63-10235-66	560 Ohm, ±5%, 1/4W Film
X	X	R2109	63-10565	1 Ohm, ±5%, 1/2W Film
X	X	R2110	63-10565	1 Ohm, ±5%, 1/2W Film
X	X	R2111	63-10565	1 Ohm, ±5%, 1/2W Film
X	X	R2112	63-10565	1 Ohm, ±5%, 1/2W Film
X	X	R2113	63-10243-60	330 Ohm, ±5%, 1/2W Film
X	X	R2114	63-10235-72	1K Ohm, ±5%, 1/4W Film
X	X	R2115	63-10235-88	4.7K Ohm, ±5%, 1/4W Film
X	X	R2116	63-10235-60	330 Ohm, ±5%, 1/4W Film
X	X	R2117	63-10235-80	2.2K Ohm, ±5%, 1/4W Film
X	X	R2118	63-10235-88	4.7K Ohm, ±5%, 1/4W Film
X	X	R2119	63-10235-54	180 Ohm, ±5%, 1/4W Film
X	X	R2120	63-10565-08	2.2 Ohm, ±5%, 1/2W Film
X	X	R2121	63-10243-52	150 Ohm, ±5%, 1/2W Film
X	X	R2122	63-10243-52	150 Ohm, ±5%, 1/2W Film
X	X	R2125	63-9023-02	550 Ohm, ±20%, Control-Rotary Single-GRA
	X	R2126	63-10243-66	560 Ohm, ±5%, 1/2W Film
X	X	R2126	63-10243-53	160 Ohm, ±5%, 1/2W Film
	X	R2127	63-10243-69	750 Ohm, ±5%, 1W Carbon
X	X	R2128	63-10243-66	560 Ohm, ±5%, 1/2W Film
	X	R2128	63-6058	510 Ohm, ±5%, 1W Carbon
	X	R2129	63-10243-65	510 Ohm, ±5%, 1/2W Carbon
X	X	R2501	63-10236-28	220K Ohm, ±5%, 1/4W Film
	X	R2501	63-10236-52	2.2 Meg Ohm, ±5%, 1/4W Film
X	X	R2502	63-10235-90	5.6K Ohm, ±5%, 1/4W Film
X	X	R2503	63-10235-56	220 Ohm, ±5%, 1/4W Film
	X	R2503	63-10235-58	270 Ohm, ±5%, 1/4W Film
X	X	R2504	63-10235-80	2.2K Ohm, ±5%, 1/4W Film
	X	R2504	63-10235-69	750 Ohm, ±5%, 1/4W Film
X	X	R2505	63-10857-11	5K Ohm, Control-Rotary Single-RED
	X	R2505	63-10857-27	800 Ohm, Control-Rotary Single-Red Cut-Off
X	X	R2506	63-10857-30	1K Ohm, Control-Rotary Single-Yellow
	X	R2506	63-10857-27	800 Ohm, Control-Rotary Single-Red Drive
X	X	R2507	63-10235-76	1.5K Ohm, ±5%, 1/4W Film
	X	R2507	63-10235-75	1.3K Ohm, ±5%, 1/4W Film
	X	R2508	63-10235-93	7.5K Ohm, ±5%, 1/4W Film
X	X	R2508	63-10235-82	2.7K Ohm, ±5%, 1/4W Film
X	X	R2509	63-10235-80	2.2K Ohm, ±5%, 1/4W Film
X	X	R2510	63-10235-50	120 Ohm, ±5%, 1/4W Film
	X	R2510	63-10235-48	100 Ohm, ±5%, 1/4W Film
X	X	R2511	63-10235-74	1.2K Ohm, ±5%, 1/4W Film
	X	R2511	63-10235-67	620 Ohm, ±5%, 1/4W Film
X	X	R2512	63-10236-28	220K Ohm, ±5%, 1/4W Film
	X	R2512	63-10236-52	2.2 Meg Ohm, ±5%, 1/4W Film
X	X	R2513	63-10235-90	5.6K Ohm, ±5%, 1/4W Film
X	X	R2514	63-10235-56	220 Ohm, ±5%, 1/4W Film
	X	R2514	63-10235-58	270 Ohm, ±5%, 1/4W Film
X	X	R2515	63-10235-80	2.2K Ohm, ±5%, 1/4W Film
X	X	R2515	63-10235-71	910 Ohm, ±5%, 1/4W Film
X	X	R2516	63-10857-32	5K Ohm, Control-Rotary Single-Green
	X	R2516	63-10857-25	800 Ohm, Control-Rotary Single-Green Cut-Off
X	X	R2517	63-10857-30	1K Ohm, Control-Rotary Single-Yellow
	X	R2517	63-10857-25	800 Ohm, Control-Rotary Single-Green Drive
X	X	R2518	63-10235-76	1.5K Ohm, ±5%, 1/4W Film

Board 9-227		Board 9-227		
9-227	-01	Ref. No.	Part No.	Description
RESISTORS (Continued)				
X	X	R2518	63-10235-73	1.1K Ohm, ±5%, 1/4W Film
	X	R2519	63-10235-93	7.5K Ohm, ±5%, 1/4W Film
	X	R2519	63-10235-82	2.7K Ohm, ±5%, 1/4W Film
X	X	R2520	63-10235-80	2.2K Ohm, ±5%, 1/4W Film
X	X	R2521	63-10235-50	120 Ohm, ±5%, 1/4W Film
	X	R2521	63-10235-48	100 Ohm, ±5%, 1/4W Film
X	X	R2522	63-10235-74	1.2K Ohm, ±5%, 1/4W Film
X	X	R2523	63-10236-28	220K Ohm, ±5%, 1/4W Film
	X	R2523	63-10236-52	2.2 Meg Ohm, ±5%, 1/4W Film
X	X	R2524	63-10235-90	5.6K Ohm, ±5%, 1/4W Film
X	X	R2525	63-10235-56	220 Ohm, ±5%, 1/4W Film
	X	R2525	63-10235-58	270 Ohm, ±5%, 1/4W Film
X	X	R2526	63-10235-80	2.2K Ohm, ±5%, 1/4W Film
	X	R2526	63-10235-69	750 Ohm, ±5%, 1/4W Film
X	X	R2527	63-10857-31	5K Ohm, Control-Rotary Single-Blue
	X	R2527	63-10857-26	800 Ohm, Control-Rotary Single-Blue Cut-Off
X	X	R2528	63-10857-30	1K Ohm, Control-Rotary Single-Yellow
	X	R2528	63-10857-26	800 Ohm, Control-Rotary Single-Blue Drive
X	X	R2529	63-10235-76	1.5K Ohm, ±5%, 1/4W Film
	X	R2529	63-10235-75	1.3K Ohm, ±5%, 1/4W Film
X	X	R2530	63-10235-93	7.5K Ohm, ±5%, 1/4W Film
	X	R2530	63-10235-82	2.7K Ohm, ±5%, 1/4W Film
X	X	R2531	63-10235-80	2.2K Ohm, ±5%, 1/4W Film
X	X	R2532	63-10235-50	120 Ohm, ±5%, 1/4W Film
	X	R2532	63-10235-48	100 Ohm, ±5%, 1/4W Film
X	X	R2533	63-10235-74	1.2K Ohm, ±5%, 1/4W Film
	X	R2534	63-10235-52	150 Ohm, ±5%, 1/4W Film
X	X	R2535	63-10235-52	150 Ohm, ±5%, 1/4W Film
X	X	R2536	63-10235-52	150 Ohm, ±5%, 1/4W Film
X	X	R2537	63-10235-52	150 Ohm, ±5%, 1/4W Film
X	X	R2538	63-10235-56	220 Ohm, ±5%, 1/4W Film
	X	R2538	63-10235-48	100 Ohm, ±5%, 1/4W Film
X	X	R2539	63-10235-56	220 Ohm, ±5%, 1/4W Film
	X	R2539	63-10235-48	100 Ohm, ±5%, 1/4W Film
X	X	R2540	63-10235-56	220 Ohm, ±5%, 1/4W Film
	X	R2540	63-10235-48	100 Ohm, ±5%, 1/4W Film
X	X	R2541	63-10235-54	180 Ohm, ±5%, 1/4W Film
X	X	R2542	63-10235-53	160 Ohm, ±5%, 1/4W Film
X	X	R2543	63-10235-54	180 Ohm, ±5%, 1/4W Film
X	X	R2544	63-10235-54	180 Ohm, ±5%, 1/4W Film
X	X	R2545	63-10235-54	180 Ohm, ±5%, 1/4W Film
X	X	R2546	63-10235-53	160 Ohm, ±5%, 1/4W Film
X	X	R2548	63-10235-67	620 Ohm, ±5%, 1/4W Film
X	X	R2549	63-10235-67	620 Ohm, ±5%, 1/4W Film
X	X	R2550	63-10235-32	22 Ohm, ±5%, 1/4W Film
X	X	R2552	63-10235-32	22 Ohm, ±5%, 1/4W Film
X	X	R2554	63-10235-32	22 Ohm, ±5%, 1/4W Film
X	X	R3201	63-10235-59	300 Ohm, ±5%, 1/4W Film
X	X	R3202	63-10235-44	68 Ohm, ±5%, 1/4W Film
X	X	R3203	63-10235-52	150 Ohm, ±5%, 1/4W Film
X	X	R3205	63-7781	820 Ohm, ±5%, 1/2W Carbon
X	X	R3206	F-11851	12 Ohm, ±10%, 10W Resistor & Splice Assy.
	X	R3206	63-10460-50	12 Ohm, ±10%, 10W Wirewound
X	X	R3210	63-10420-31	2 Ohm, ±5%, 2W Wirewound
X	X	R3212	63-10235-76	1.5K Ohm, ±5%, 1/4W Film
X	X	R3213	63-10235-83	3K Ohm, ±5%, 1/4W Film
	X	R3213	63-10235-86	3.9K Ohm, ±5%, 1/4W Film
X	X	R3214	63-10235-74	1.2K Ohm, ±5%, 1/4W Film
X	X	R3215	63-10244-38	560K Ohm, ±5%, 1/2W Film
X	X	R3215	63-10244-40	680K Ohm, ±5%, 1/2W Film
X	X	R3216	63-10244-25	160K Ohm, ±5%, 1/2W Film
X	X	R3217	63-10244-33	360K Ohm, ±5%, 1/2W Film
X	X	R3218	63-10235-80	2.2K Ohm, ±5%, 1/4W Film
X	X	R3219	63-10244-38	560K Ohm, ±5%, 1/2W Film

MAIN BOARD (Continued)

Board		Ref. No.	Part No.	Description	Ref. No.	Part No.	Description
9-227	-01						
RESISTORS (Continued)							
X	X	R3222	63-10235-40	47 Ohm, ±5%, 1/4W Film	C2101	22-7775-10A	0.0068 MF, 100V ±20% Polyester
X	X	R3231	63-9982	1 Ohm, ±10%, 2W Wirewound	C2102	22-7775-24A	0.1 MF, 100V ±20% Polyester
X	X	R3233	63-10565-14	3.9 Ohm, ±5%, 1/2W Film	C2103	22-7709-09C	100 MF, 35V +50%–10% Electrolytic
X	X	R3234	63-10565-14	3.9 Ohm, ±5%, 1/2W Film	C2104	22-7613-24D	0.01 MF, 50V ±10% Disc
X	X	R3239	63-10244-20	100K Ohm, ±5%, 1/2W Film	C2105	22-7390-02	0.47 MF, 50V ±20% Electrolytic
X	X	R3241	63-8246	4 Ohm, 10W Wirewound	C2106	22-7710-07C	33 MF, 50V +50%–10% Electrolytic
X	X	R3244	63-10840-40	47 Ohm, ±5%, 3W Film, Tin Oxide	C2107	22-7615-03D	0.0033 MF, 50V +80%–10% Disc
X	X	R3245	63-10710A	Thermistor	C2110	22-7742-10	0.001 MF, 50V ±10% Polyester
X	X	RX3246	63-10657-03	1.2 Meg Ohm, ±20%, 1/2W Carbon	C2111	22-7774-17A	0.027 MF, 100V ±10% Polyester
	X	R3260	63-10243-96	10K Ohm, ±5%, 1/2W Film	C2176	22-7725	680 MF, 50V +100%–10% Electrolytic
	X	R3261	63-10244-24	150K Ohm, ±5%, 1/4W Film	C2501	22-7621-42C	220 PF, 50V ±5% Disc
	X	R3262	63-10235-68	680 Ohm, ±5%, 1/4W Film	C2502	22-7621-42C	220 PF, 50V ±5% Disc
X	X	R3401	63-10236-46	1.2 Meg Ohm, ±5%, 1/4W Film	C2503	22-7621-42C	220 PF, 50V ±5% Disc
X	X	R3402	63-10236-22	120K Ohm, ±5%, 1/4W Film	C3201	22-7775-24A	0.1 MF, 100V ±20% Polyester
X	X	R3403	63-10235-86	3.9K Ohm, ±5%, 1/4W Film	C3204	22-7603	4.7 MF, 315V +100%–10% Electrolytic
X	X	R3404	63-10235-86	3.9K Ohm, ±5%, 1/4W Film	C3205	22-3512	0.01 MF, 1KV +40%–20% Disc
X	X	R3405	63-10236-08	33K Ohm, ±5%, 1/4W Film	C3206	22-7603-01A	10 MF, 315V +100%–10% Electrolytic
X	X	R3406	63-10235-68	680 Ohm, ±5%, 1/4W Film	C3207	22-7742-10	0.001 MF, 50V ±10% Axial
X	X	R3407	63-10236-18	82K Ohm, ±5%, 1/4W Film	C3208	22-7742-10	0.001 MF, 50V ±10% Axial
X	X	R3408	63-10236-04	22K Ohm, ±5%, 1/4W Film	C3209	22-7395	470 PF, 500V ±5% Disc
X	X	R3409	63-10857-17	100K Ohm, Control-Rotary Single-Green	C3234	22-7395	470 PF, 500V ±5% Disc
X	X	R3410	63-10236-31	300K Ohm, ±5%, 1/4W Film	C3236	22-7861-14	2200 MF, 35V ±20% Electrolytic
X	X	R3411	63-10236-03	20K Ohm, ±5%, 1/4W Film	C3246	22-7603-01A	10 MF, 315V +100%–10% Electrolytic
X	X	R3412	63-10236-13	51K Ohm, ±5%, 1/4W Film	C3247	22-7860-12	470 MF, 25V ±20% Electrolytic
X	X	R3413	63-10236-07	30K Ohm, ±5%, 1/4W Film	C3249	22-7431-06	0.0047 MF, ±20% Disc
X	X	R3414	63-10235-98	12K Ohm, ±5%, 1/4W Film	CX3250	22-7431-06	0.0047 MF, ±20% Disc
X	X	R3415	63-10236-02	18K Ohm, ±5%, 1/4W Film	C3251	22-7811	0.001 MF, 1KV ±10% Disc
X	X	R3417	63-10243-60	330 Ohm, ±5%, 1/2W Film	C3252	22-7811	0.001 MF, 1KV ±10% Disc
X	X	R3418	63-10857-08	2K Ohm, Control-Rotary Single-Yellow	C3253	22-7811	0.001 MF, 1KV ±10% Disc
X	X	R3419	63-10235-84	3.3K Ohm, ±5%, 1/4W Film	C3254	22-7404-06	22 MF, 16V ±20% Electrolytic
X	X	R3420	63-10236-10	39K Ohm, ±5%, 1/4W Film	C3256	22-7508-05B	2200 MF, 35V +50%–10% Electrolytic
X	X	R3421	63-10235-73	1.1K Ohm, ±5%, 1/4W Film	C3257	22-7395	470 PF, 500V ±5% Disc
X	X	R3422	63-10243-60	330 Ohm, ±5%, 1/2W Film	C3401	22-7613-24D	0.01 MF, 50V ±10% Disc
X	X	R3423	63-10243-60	330 Ohm, ±5%, 1/2W Film	C3402	22-7406-01	1.0 MF, 35V ±20% Electrolytic
X	X	R3424	63-10235-72	1K Ohm, ±5%, 1/4W Film	C3403	22-7773-18A	0.033 MF, 100V ±5% Polyester
X	X	R3425	63-10235-88	4.7K Ohm, ±5%, 1/4W Film	C3404	22-7773-17A	0.027 MF, 100V ±5% Polyester
X	X	R3428	63-10235-82	2.7K Ohm, ±5%, 1/4W Film	C3405	22-7775-10A	0.0068 MF, 100V ±20% Polyester
X	X	R3429	63-10235-76	1.5K Ohm, ±5%, 1/4W Film	C3407	22-7710-01A	1.0 MF, 50V +50%–10% Electrolytic
X	X	R3431	63-10235-80	2.2K Ohm, ±5%, 1/4W Film	C3409	22-7709-09C	100 MF, 35V +100%–10% Electrolytic
X	X	R3432	63-10235-55	200 Ohm, ±5%, 1/4W Film	C3410	22-7404-06A	22 MF, 16V ±20% Electrolytic NP
X	X	R3432	63-10235-79	2K Ohm, ±5%, 1/4W Film	C3411	22-7708-09	100 MF, 25V +50%–10% Electrolytic
X	X	R3433	63-10236-20	100K Ohm, ±5%, 1/4W Film	C3412	22-7710-01C	1.0 MF, 50V +50%–10% Electrolytic
X	X	R3434	63-10236-22	120K Ohm, ±5%, 1/4W Film	C3413	22-7562-32	0.47 MF, 100V ±5% Polyester
X	X	R3435	63-10235-63	430 Ohm, ±5%, 1/4W Film	C3414	22-7774-16A	0.022 MF, 100V ±10% Polyester
X	X	R3436	63-10235-72	1K Ohm, ±5%, 1/4W Film	C3419	22-7751-39	180 PF, 50V ±5% Axial
X	X	R3439	63-10243-79	2K Ohm, ±5%, 1/2W Film	C3420	22-7710-01C	1.0 MF, 50V ±50%–10% Electrolytic
X	X	R3440	63-10235-86	3.9K Ohm, ±5%, 1/4W Film	C3421	22-7773-18B	0.033 MF, 100V ±5% Polyester
X		R3441	63-10857	100 Ohm, Control-Rotary Single-Horizontal Center	C3422	22-7613-24D	0.01 MF, 50V ±10% Disc
	X	R3441	63-10857-02	250 Ohm, Control-Rotary Single-Horizontal Center	C3423	22-7613-08D	470 PF, 50V ±10% Disc
X	X	R3442	63-10235-86	3.9K Ohm, ±5%, 1/4W Film	C3424	22-7742-05	390 PF, 50V ±10% Axial
X	X	R3443	63-10235-65	510 Ohm, ±5%, 1/4W Film	C3425	22-7742-10	0.001 MF, 50V ±10% Axial
X	X	R3443	63-10235-80	2.2K Ohm, ±5%, 1/4W Film	C3426	22-7742-10	0.01 MF, 50V ±10% Axial
X	X	R3444	63-10235-60	330 Ohm, ±5%, 1/4W Film	C3427	22-7647-35C	150 PF, ±10% Axial
X	X	R3445	63-10235-80	2.2K Ohm, ±5%, 1/4W Film	C3428	22-7774-12	0.01 MF, 100V ±10% Polyester
X	X	R3446	63-10235-72	1K Ohm, ±5%, 1/4W Film	C3428	22-7774-20A	0.047 MF, 100V ±10% Polyester
X	X	R3449	63-10235-76	1.5K Ohm, ±5%, 1/4W Film	(on-01 version)		
X	X	R3451	63-10235-82	2.7K Ohm, ±5%, 1/4W Film	C3429	22-7405-04	4.7 MF, 25V ±20% Electrolytic NP
X	X	R3451	63-10235-88	4.7K Ohm, ±5%, 1/4W Film	C3429	22-7406	0.47 MF, 35V ±20% Electrolytic NP
X	X	R3452	63-10235-92	6.8K Ohm, ±5%, 1/4W Film	(on-01 version)		
X	X	R3453	63-10235-75	1.3K Ohm, ±5%, 1/4W Film	C3430	22-7613-24D	0.01 MF, 50V ±10% Disc
X	X	R3461	63-10236	15K Ohm, ±5%, 1/4W Film	C3431	22-7774-16A	0.022 MF, 100V ±10% Polyester
X	X	R3462	63-10236-13	51K Ohm, ±5%, 1/4W Film	C3434	22-7742-06	470 PF, 50V ±10% Axial
					C3436	22-7613-24C	0.01 MF, 100V ±10% Disc
					C3450	22-7739-29A	0.27 MF, 100V ±10% Polyester
					C3450	22-7619-41C	200 PF, 50V ±5% Disc
					(on-01 version)		
					C3461	22-7710-01C	1.0 MF, 50V +50%–10% Electrolytic
					C3462	22-7710-01C	1.0 MF, 50V +50%–10% Electrolytic
					C3462	22-7739-09	0.0056 MF, 100V ±10% Polyester
					(on-01 version)		
					C3463	22-7508	47 MF, 35V ±20% Electrolytic

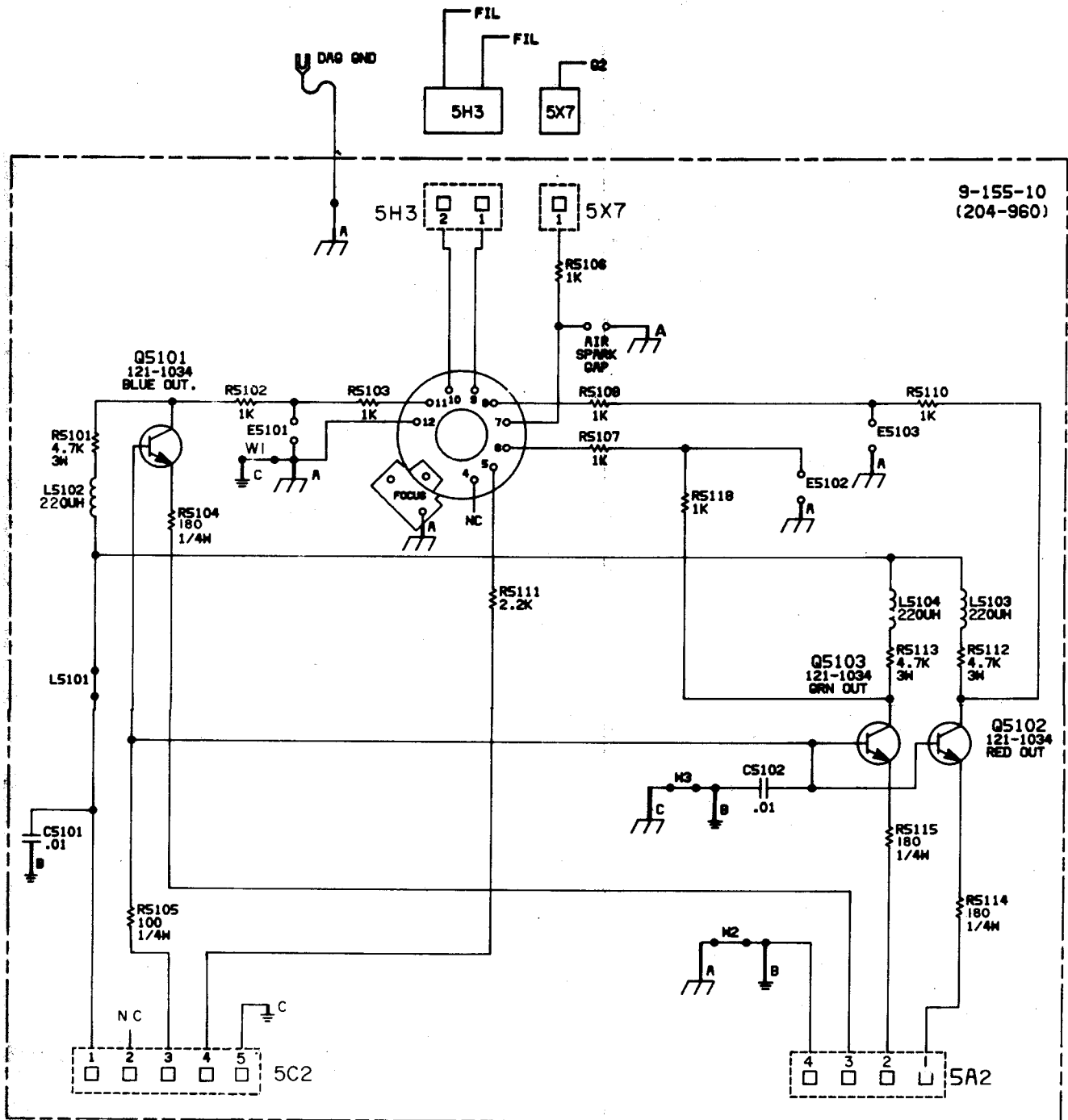
ZENITH MONITOR — CRT SOCKET BOARD REPLACEMENT PARTS LIST

MAIN BOARD (Continued)

CRT SOCKET (9-155-10)

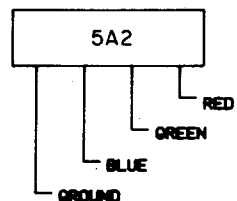
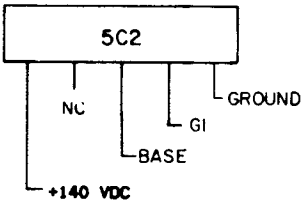
Ref. No.	Part No.	Description
SEMICONDUCTORS		
CR2104	103-142-01	Diode, Low Voltage
CR2105	103-254-01	Diode, Low Voltage
CR2106	103-254-01	Diode, Low Voltage
CR2107	103-254-01	Diode, Low Voltage
CR2501	103-142-01	Diode, Low Voltage
CR2502	103-142-01	Diode, Low Voltage
CR2503	103-142-01	Diode, Low Voltage
CR3202	103-330A	Diode, Low Voltage
CR3205	103-309-01	Diode, Zener 10V 1W
CR3206	103-254-01	Diode, Low Voltage
CR3208	103-326A	Diode, Low Voltage
CR3210	103-254-01	Diode, Low Voltage
CR3211	103-254-01	Diode, Low Voltage
CR3214	103-284-A	Diode, Low Voltage
CR3217	103-326A	Diode, Low Voltage
CR3219	103-330A	Diode, Low Voltage
CR3223	103-330A	Diode, Low Voltage
CR3224	103-330A	Diode, Low Voltage
CR3231	103-315-06A	Diode
CR3232	103-315-06A	Diode
CR3233	103-315-06A	Diode
CR3234	103-315-06A	Diode
CR3235	103-284A	Diode, Low Voltage
CR3401	103-142-01	Diode, Low Voltage
CR3404	103-143-01	Diode, Low Voltage
CR3405	103-142-01	Diode, Low Voltage
CR3406	103-142-01	Diode, Low Voltage
CR3408	103-279-14	Diode, Zener 6.8V 1/2W
Q2101	F-10896	Transistor & Heat Sink Assy.
Q2102	F-10896	Transistor & Heat Sink Assy.
Q2103	121-975	Transistor NPN
Q2104	121-1064	Transistor PNP
Q2501	121-1019	Transistor PNP
Q2502	121-895	Transistor NPN
Q2502	121-551	Transistor NPN
(on -01 version)		
Q2503	121-1019	Transistor PNP
Q2504	121-895	Transistor NPN
Q2504	121-551	Transistor NPN
(on -01 version)		
Q2505	121-1019	Transistor PNP
Q2506	121-895	Transistor NPN
Q2506	121-551	Transistor NPN
(on -01 version)		
Q2507	121-1019	Transistor
Q2508	121-1019	Transistor
Q2509	121-1019	Transistor
Q3200	F-12737	Transistor & Heat Sink Assy.
Q3201	121-499-01	Transistor NPN Regular Feed Back
Q3202	121-1034	Transistor NPN
Q3203	121-1059	Transistor PNP
Q3401	121-895	Transistor NPN
Q3402	121-986	Transistor PNP
Q3403	121-985	Transistor NPN
Q3404	121-895	Transistor NPN
Q3405	121-895	Transistor NPN
TRANSFORMERS & COILS		
L2502	20-3887-01	Coil Peaking 1.2 UH
L2503	20-3887-01	Coil Peaking 1.2 UH
L2504	20-3887-01	Coil Peaking 1.2 UH
L3201	20-2021	Coil Peaking 100 UH
LX3202	95-3501-01	Transformer Choke 60 UH
L3401	20-3831	Coil Peaking 663 UH
L3402	20-3998	Coil Peaking 39 UH
L3402	20-4026	Coil Turnable 39 UH
(on -01 version)		

Ref. No.	Part No.	Description
CAPACITORS		
C5101	22-4671	0.01 MF, 1.5KV, +80%—20% Disc
C5102	22-3512	0.01 MF, 1KV, +40%—10% Disc
TRANSFORMERS & COILS		
L5102	20-3887-28E	220 MH Peaking
L5103	20-3887-28E	220 MH Peaking
L5104	20-3887-28E	220 MH Peaking
SEMICONDUCTORS		
Q5101	F7510	Transistor, NPN, Video Out, Blue
Q5102	F7510	Transistor, NPN, Video Out, Red
Q5103	F7510	Transistor, NPN, Video Out, Green
RESISTORS		
R5101	63-10840-88	4.7K Ohm, ±5%, 3W Film
R5102	63-7785	1K Ohm, ±10%, 1/2W Carbon
R5103	63-7785	1K Ohm, ±10%, 1/2W Carbon
R5104	63-10235-54	180 Ohm, ±5%, 1/4W Film
R5105	63-10235-48	100 Ohm, ±5%, 1/4W Film
R5106	63-7785	1K Ohm, ±10%, 1/2W Carbon
R5107	63-7785	1K Ohm, ±10%, 1/2W Carbon
R5108	63-7785	1K Ohm, ±10%, 1/2W Carbon
R5109	63-7785	1K Ohm, ±10%, 1/2W Carbon
R5110	63-7785	1K Ohm, ±10%, 1/2W Carbon
R5111	63-7799	2.2K Ohm, ±10%, 1/2W Carbon
R5112	63-10840-88	4.7K Ohm, ±5%, 3W Carbon
R5113	63-10840-88	4.7K Ohm, ±5%, 3W Carbon
R5114	63-10235-54	180 Ohm, ±5%, 1/4W Film
R5115	63-10235-54	180 Ohm, ±5%, 1/4W Film
MISCELLANEOUS		
5A2	86-799	Stake Connector 4/.156
5C2	86-799	Stake Connector 4/.156
5H3	86-799	Stake Connector 2/.156
5X7	86-799	Stake Connector 1/.312
A-10008		CRT Socket



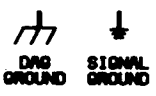
9-155-10
(204-960)

.156 CENTERS



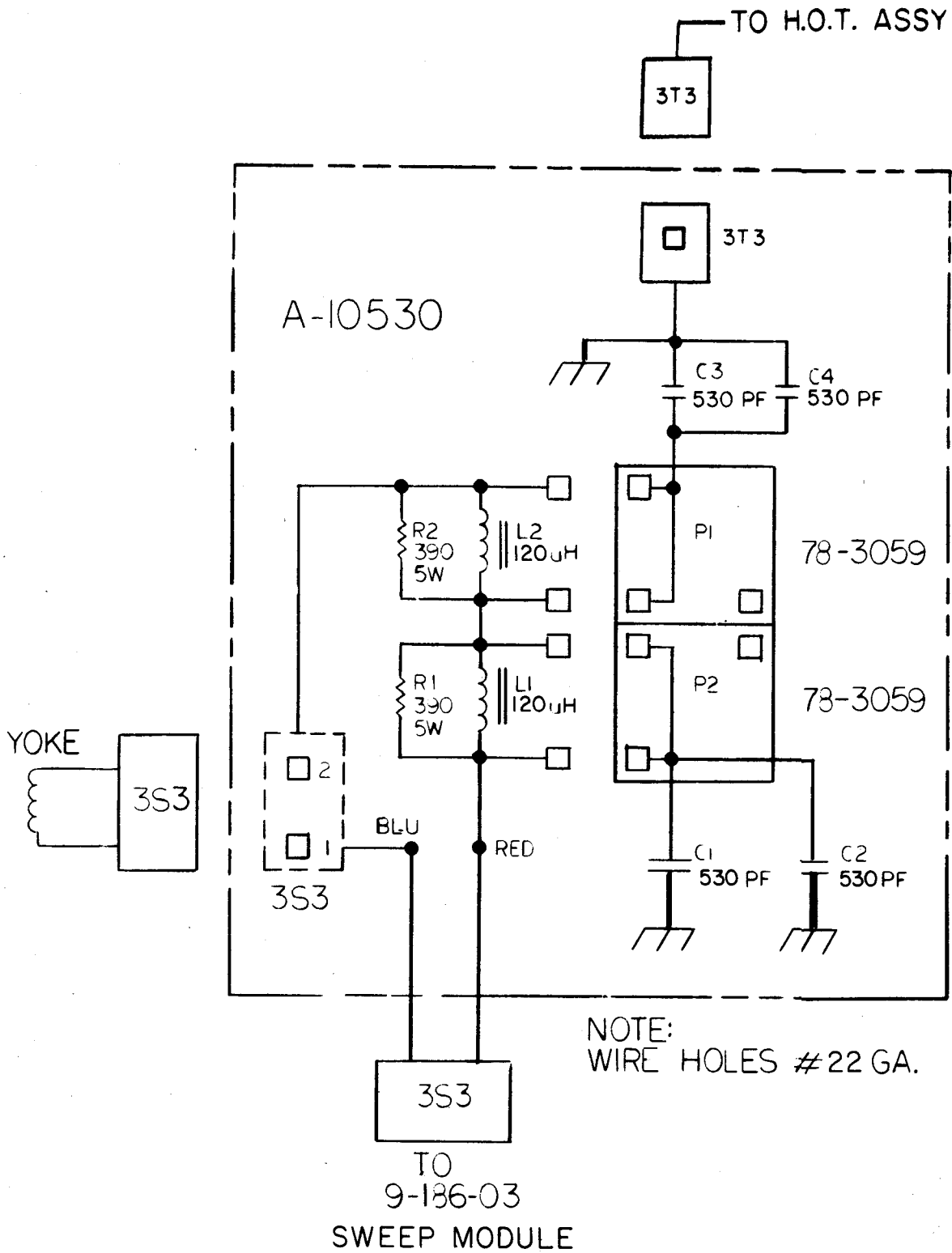
NOTE:
1. ALL RESISTORS ARE 1/2WATT UNLESS OTHERWISE SPECIFIED.

NOTES: (USED WITH CIRCUIT REFERENCE DESIGNATORS)
A. P/L = SEE PARTS LIST FOR APPLICABLE USAGE.
B. —●—●— = JUMPER WIRE USED INSTEAD.
C. —■—■— = PROVISION ON PRINTED CIRCUIT BOARD.



M051-00087-A022

SCHEMATIC FOR 9-155-10 RGB COLOR MONITOR CRT SOCKET BOARD		
ZENITH RADIO CORP. CHICAGO, ILL.	ISSUE	9-155



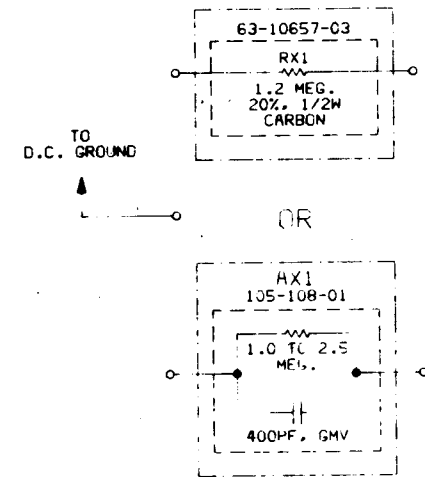
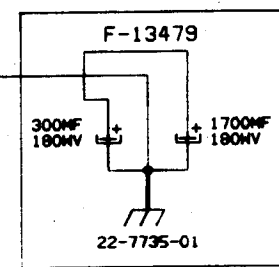
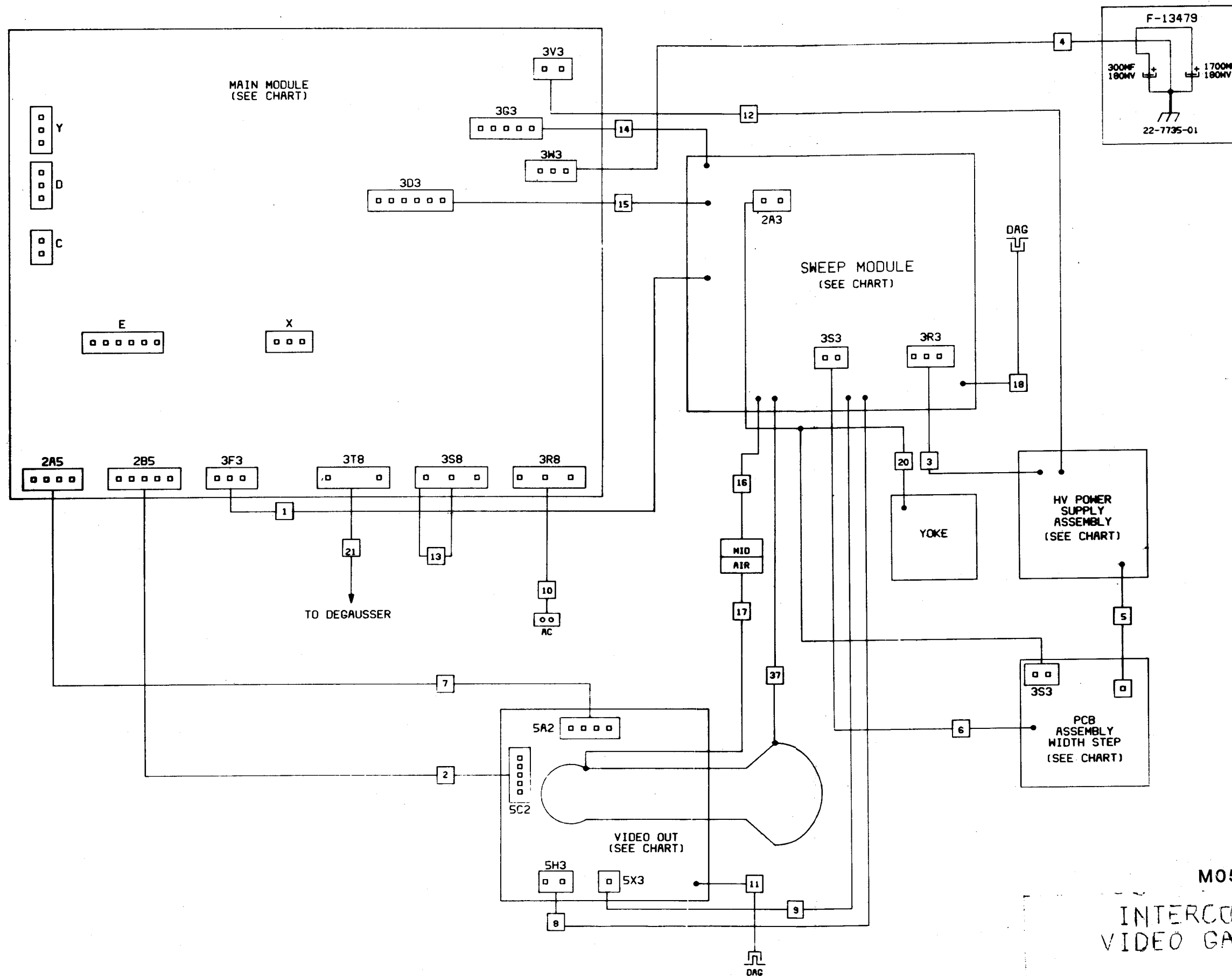
M051-00087-A023

SCHEMATIC
FOR A-10530
WIDTH STEP ASSY.

ZENITH
RADIO CORP.
CHICAGO, ILL.

ISSUE
B

A-10530



IMPORTANT SAFETY NOTICE

WHEN SERVICING THIS CHASSIS, UNDER NO CIRCUMSTANCES SHOULD THE ORIGINAL DESIGN BE MODIFIED OR ALTERED WITHOUT PERMISSION FROM THE ZENITH RADIO CORPORATION. ALL COMPONENTS SHOULD BE REPLACED ONLY WITH TYPES IDENTICAL TO THOSE IN THE ORIGINAL CIRCUIT, AND THEIR PHYSICAL LOCATION, WIRING AND LEAD DRESS, MUST CONFORM TO ORIGINAL LAYOUT UPON COMPLETION OF REPAIRS.

SPECIAL CIRCUITS ARE ALSO USED TO PREVENT SHOCK AND FIRE HAZARD. THESE AREAS ARE SHADED ON THE SCHEMATIC FOR EASY IDENTIFICATION. THE LETTER "X" INCLUDED IN THE ITEM NUMBER DESIGNATES SPECIAL FAILSAFE COMPONENTS IN THESE AREAS WHICH ARE REQUIRED TO MAINTAIN SAFE PERFORMANCE. NO LEVIATIONS ARE ALLOWED WITHOUT PRIOR APPROVAL BY THE PRODUCT SAFETY ENGINEERING DEPARTMENT.

THIS CIRCUIT DIAGRAM MAY OCCASIONALLY DIFFER FROM THE ACTUAL CIRCUIT USED. THIS WAY, IMPLEMENTATION OF THE LATEST SAFETY AND PERFORMANCE IMPROVEMENT CHANGES INTO THE SET IS NOT DELAYED UNTIL THE NEW SERVICE LITERATURE IS PRINTED.

M051-00087-A025
 INTERCONNECT FOR
 VIDEO GAME MONITOR

ZENITH
 RADIO CORP.
 CHICAGO, ILL.

ISS:JE