

Williams®

16P-504-101  
Game No. 504  
June, 1981

# PHARAOH



For service call TOLL-FREE:  
800-621-4765  
In Illinois call  
800-972-7898

This document has been downloaded from:



FLIPPERSPILL.COM

Williams®



ELECTRONICS, INC.

3401 N. California Ave., Chicago, IL 60618  
Cable Address: WILCOIN CHICAGO  
(312) 267-2240

## **FOREWORD**

This instruction and drawing set provides essential installation information unique to PHARAOH. For game operation, bookkeeping, game adjustment, diagnostic and self-test and basic troubleshooting procedures, refer to the instruction booklet located in the envelope inside the coin door. For detailed troubleshooting and interconnection information, refer to Williams Solid State Flipper Maintenance Manual and Supplements.

### **SPECIAL CONSIDERATIONS WHEN REPLACING CIRCUIT BOARDS**

#### **CPU Board**

1. Revision level 7 CPU Boards (batteries located on lower left corner at board) of later boards must be used.
2. Must be equipped with blue-labeled Flipper ROMs and blue-labeled Game ROMs.
3. Jumpers W3, W10, W11, W14, W17, W19, W20, and W22 must be connected. Jumpers W4, W9, W12, W15, W16, W18, W21, and W23 must be removed. With the exception of W25; (Factory Setting Jumper) all other jumpers are not changed.

#### **Driver Board**

Must be equipped with zero-ohm resistors or wire jumpers (W9-W16) in place of switch matrix drive series resistors R204-R211.

#### **Sound Board**

1. Model D 8224 required for speech.
2. Must be jumpered for ROM operation and be equipped with Sound ROM 6. (Jumpers W3, W5, W7, W9, W10, W12, and W15 connected; W2, W4, W6, W8, W11, and W13 removed).

#### **Power Supply Board**

1. Model D 8345 board required (equipped with relay).
2. Fuse F4 (20A SB) for flipper solenoids and magnets must be installed.

#### **Display Boards**

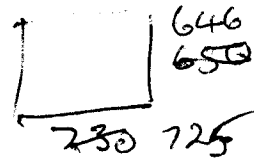
Model C 8363 Master Display and 7-digit Slave Displays required.

#### **Optional Speech Module**

Requires 5T5041 (IC7), 5T5042 (IC5), 5T5043 (IC6), and 5T5044 (IC4) Speech ROMs.

### **CONTENTS**

|                                                                                 |     |
|---------------------------------------------------------------------------------|-----|
| Assembly and Interconnection .....                                              | 3/4 |
| Inspection .....                                                                | 3/4 |
| Power Turn-On .....                                                             | 5/6 |
| Backbox Wiring Diagram .....                                                    | 7   |
| CPU Board Assembly Drawing .....                                                | 8   |
| CPU Board Logic Diagram .....                                                   | 9   |
| Driver Board Assembly Drawing .....                                             | 10  |
| Driver Board Logic Diagram (Sheet 1 of 2) .....                                 | 11  |
| Driver Board Logic Diagram (Sheet 2 of 2) .....                                 | 13  |
| Power Supply Assembly and<br>Schematic Diagrams .....                           | 14  |
| Power Wiring Diagram .....                                                      | 15  |
| Sound Board Assembly Drawing .....                                              | 16  |
| Sound Board Logic Diagram .....                                                 | 17  |
| C 8228 Speech Module Assembly and Logic Diagram ...                             | 18  |
| Insert Board Wiring Diagram .....                                               | 19  |
| C 8363 Master Display Board Assembly Drawing .....                              | 20  |
| C 8363 Master Display Board Logic Diagram .....                                 | 21  |
| C 8364 and C 8365 Slave Display Boards<br>Assembly and Schematic Diagrams ..... | 22  |
| Cabinet Wiring Diagram .....                                                    | 23  |
| Playfield Lamp Wiring Diagram .....                                             | 24  |
| Playfield Solenoid Wiring Diagram .....                                         | 25  |
| Playfield Switch Wiring Diagram .....                                           | 26  |



### Assembly and Interconnection

With legs attached to cabinet and backbox positioned face-down on top of cabinet with the opening facing the rear of the cabinet proceed as follows:

- A. Pull five cables from backbox.
- B. Reach into right side of pedestal hole, pull up ground strap, and push it into backbox.
- C. Remove ties securing cabinet and playfield cables to cabinet and pull up these cables.
- D. Interconnect five cables. They are size and color coded.
- E. Insert line cord into notch in cabinet. DO NOT PLUG IN AT THIS TIME.
- F. Push remote volume control cable, White-Red solenoid ground cable, and transformer cable (terminated with four plugs) into backbox.
- G. Lift up backbox and position on cabinet pedestal, engaging brackets for support.
- H. Remove shipping blocks from insert door.
- I. Secure backbox to cabinet using two bolts and washers.
- J. Connect ground braid and White-Red wires under wing nut and washer at bottom of backbox.
- K. Loosely position remote volume cable and Sound Board power cable in harness and plug connector into 10J4 and 10J1, respectively.
- L. Connect bridge rectifier connector 6P1/6J1, and plug remaining two transformer connections into 3J1 and 3J9 on the Power Supply Board.

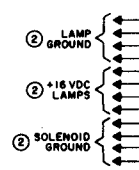
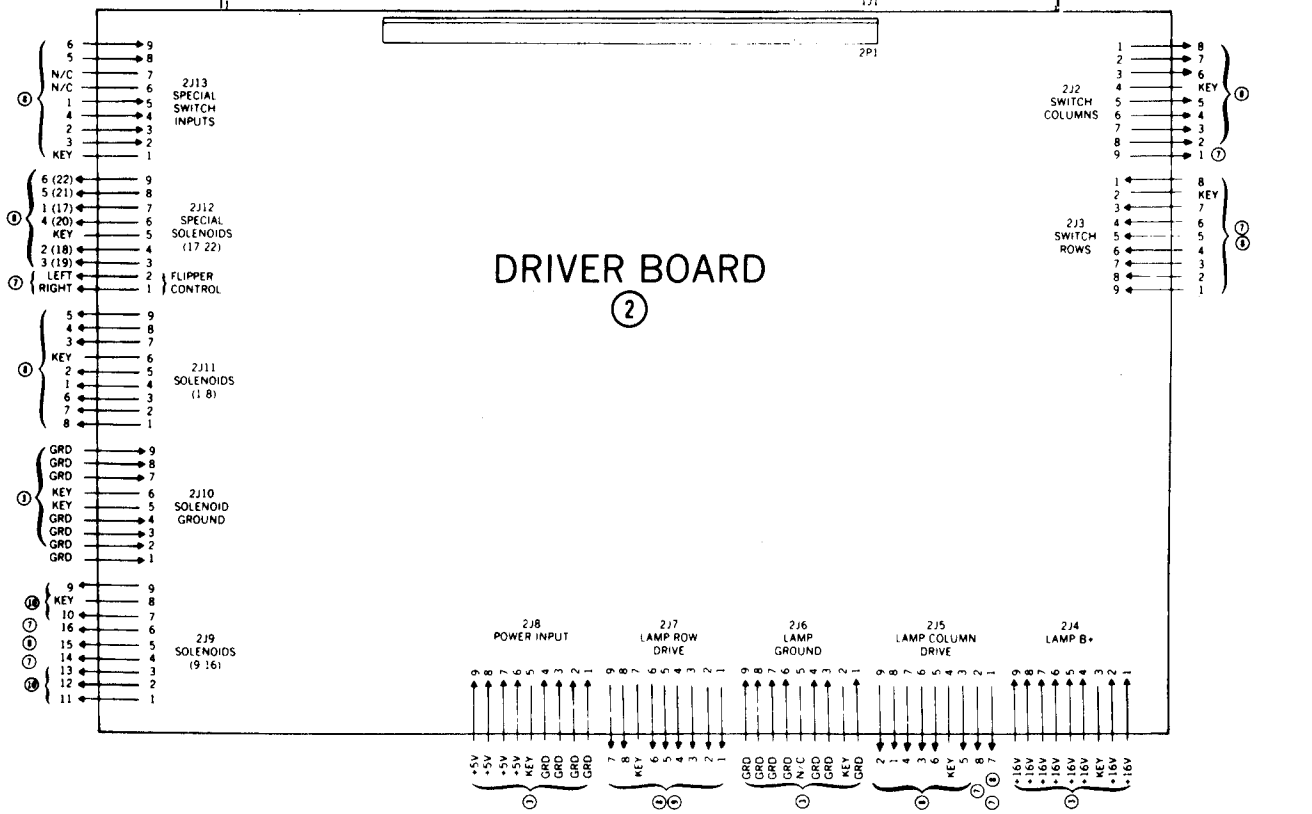
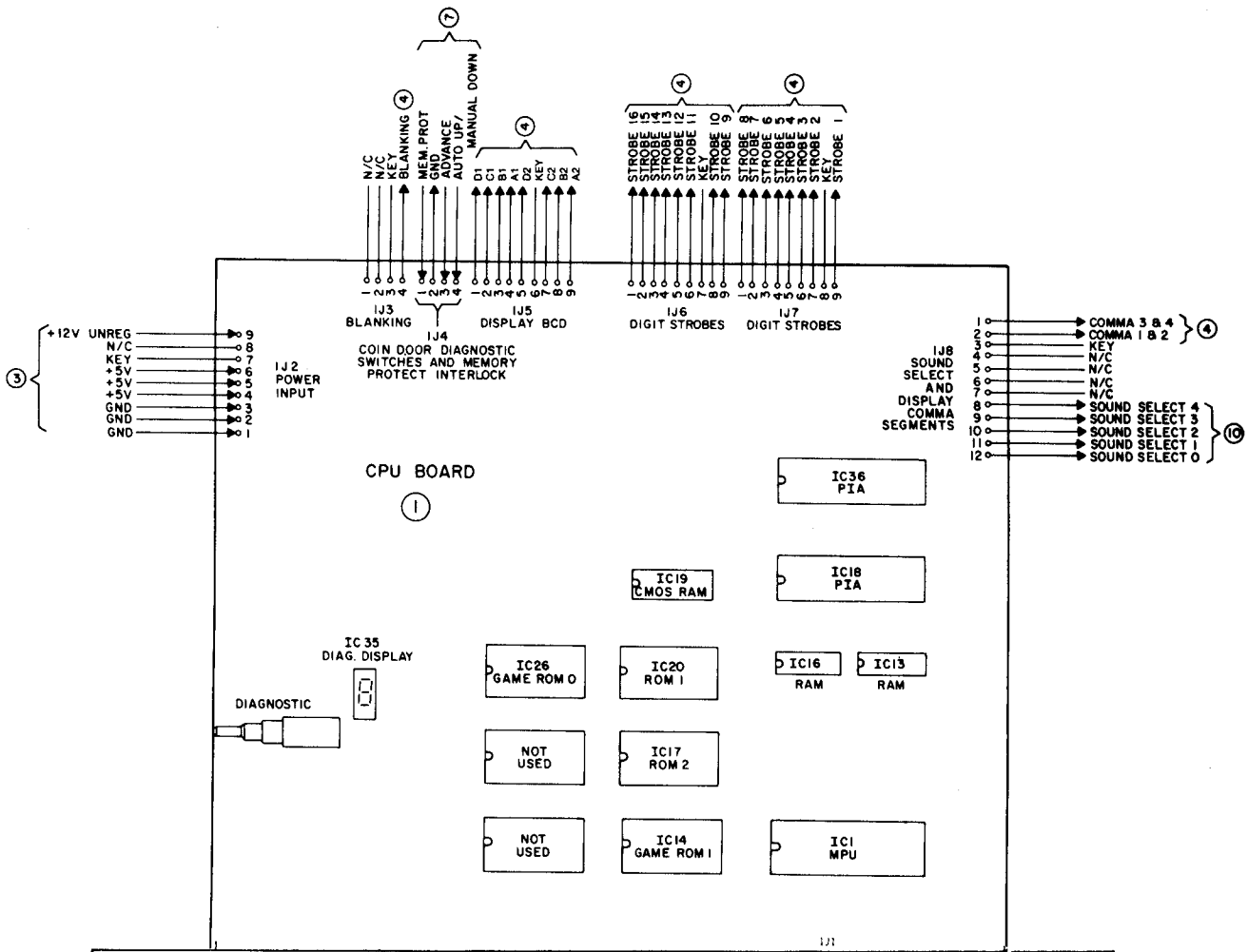
### Inspection

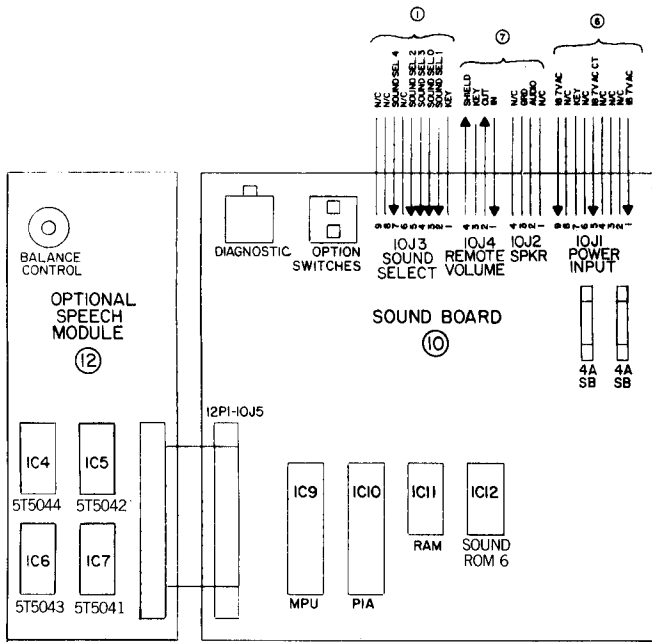
- A. Check all connectors in backbox for loose wire termination. Reseat any loose wires by pushing in on the terminal.
- B. Push on all connectors attached to Master Display, CPU, Driver, and Sound Boards, and check terminations on capacitor and bridge rectifier at the lower right of the backbox.
- C. Gently press on all the socketed IC packages on the CPU and Sound Boards.
- D. Check that two fuses on the Sound Board, seven fuses on Power Supply Board, and two fuses on Insert Board are secure.
- E. Push on the connector attached to Slave Display Boards.
- F. Check that the line fuse in the bottom of the cabinet is secure.
- G. Check the transformer input connector in bottom of cabinet for loose wire termination. Reseat any loose wires by pushing in on the termination.
- H. Check the cabinet to coin door connector for loose wire termination. Reseat any loose wires by pushing in on the termination.

### Power Turn-On and Game Setup

This machine MUST BE PLUGGED INTO A PROPERLY GROUNDED OUTLET to PREVENT SHOCK HAZARD to ensure PROPER GAME OPERATION. DO NOT use a "cheater" plug to defeat the ground pin on the line cord, DO NOT cut off the ground pin. The line voltage MUST agree with that specified on the back of the cabinet or serious damage to the machine could occur. For low-line applications (105 or 210V ac), refer to the power wiring diagram.

1. With the coin door closed, plug the game in and turn it ON. The game should come on in the game over mode as indicated by the player 1 score reading zero, game over lights lit, and the high score to date alternating with the player scores.
2. If the game comes on in the diagnostic mode (number of credits display showing 04, ball in play display showing 00, and player 1 display showing game identification) turn the game OFF and ON again.
  - a. If the game now comes on in the game over mode the bookkeeping and game evaluation totals have been reset to zero.
  - b. If the game still comes on in the diagnostic mode, open the coin door and turn the game OFF, and ON twice. This is an indication of the batteries being removed with the power OFF or coming loose during shipment. This has also resulted in features reverting to factory settings. Any changes from factory settings must be reentered using procedures provided in the instruction booklet.
3. If the game still comes on in the diagnostic mode, refer to troubleshooting procedures in the maintenance manual.
4. Lift plastic at upper right of playfield to insert captive ball, and place two balls on playfield next to outhole.
5. Perform diagnostic tests and make any desired changes to features as described in the instruction booklet.



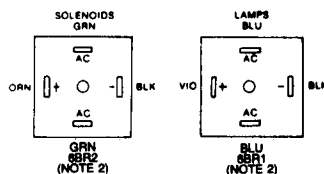
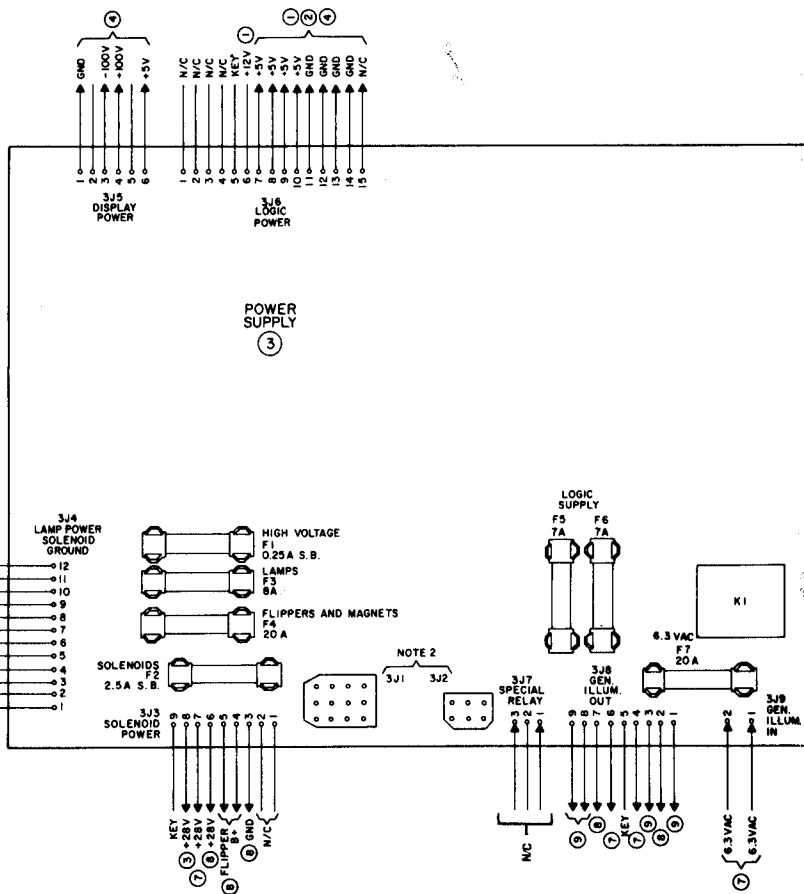


**NOTES:**

1. CONNECTIONS ARE INDICATED BY CIRCLED NUMBERS AS FOLLOWS:

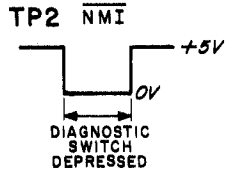
- ① CPU BOARD
- ② DRIVER BOARD
- ③ POWER SUPPLY BOARD
- ④ MASTER DISPLAY BOARD
- ⑤ SLAVE DISPLAY BOARD
- ⑥ BACKBOX
- ⑦ CABINET
- ⑧ PLAYFIELD
- ⑨ INSERT BOARD
- ⑩ SOUND BOARD
- ⑪ NOT ASSIGNED
- ⑫ SPEECH MODULE

2. REFER TO POWER WIRING DIAGRAM FOR CONNECTIONS TO 3PI.

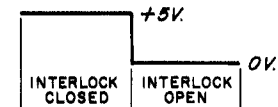


DISPLAY BLANKING MEM. PROTECT & DIAGNOSTIC SW. MASTER DISPLAY BCD OUTPUTS MASTER DISK

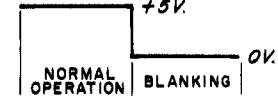
TP1 +12V. UNREG.



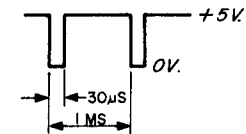
TP3 MEMORY PROTECT



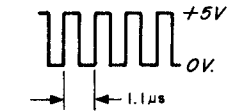
TP4 BLANKING



TP5 IRQ



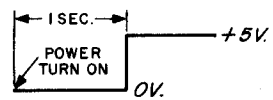
TP6 BUS φ2



TP7 CMOS RAM B+

POWER ON 4.3K  
POWER OFF 3.9K

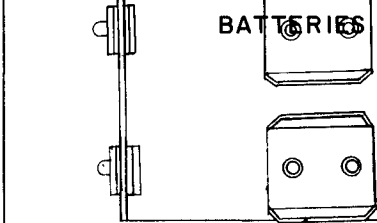
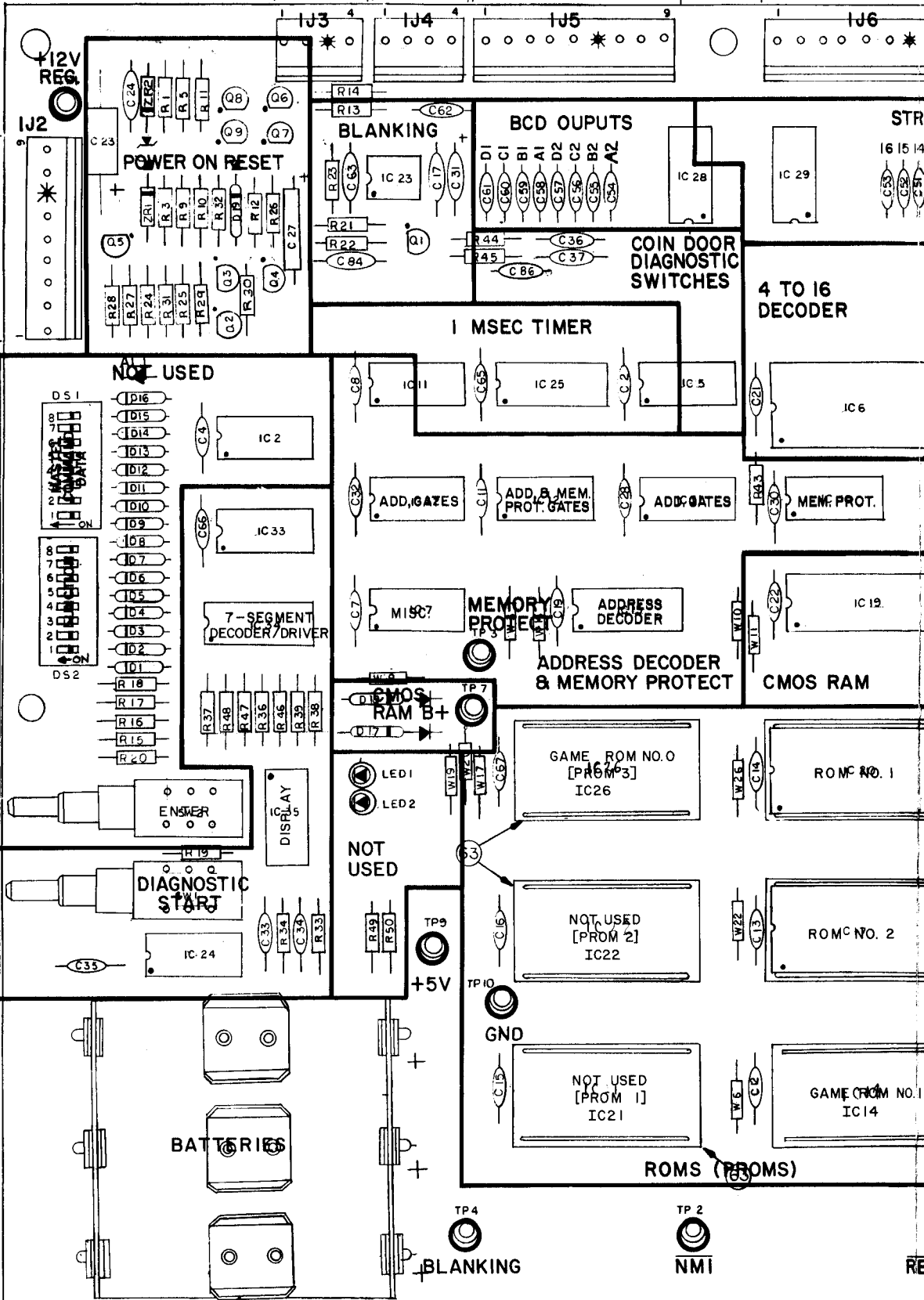
TP8 RESET



TP9 +5V.

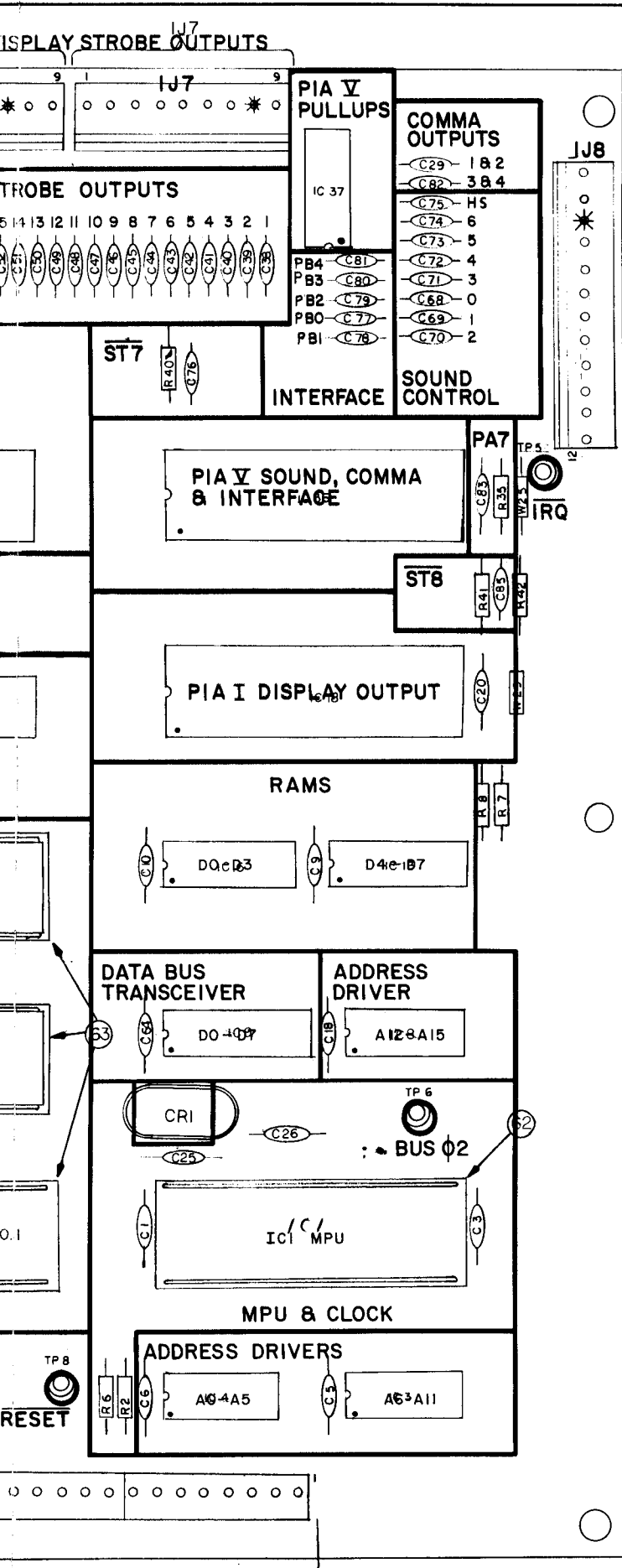
TP10 GND

LOGIC POWER BUS INPUT



|                 |                 |          |
|-----------------|-----------------|----------|
| A               | ITEM No. 11 was | 10/10/80 |
|                 | 5341-09233-00   | G.H      |
| A               | ITEM No. 12 was |          |
|                 | 5341-09234-00   |          |
| REVISION LETTER | REVISION        | BY       |

INTERBOARD CONNECTOR



SOUND CONTROL & COMMAS

BILL OF MATERIAL

| ITEM NO. | PART NO.      | PART DESIGNATION                                 | DESCRIPTION                      | REQD NO. |
|----------|---------------|--------------------------------------------------|----------------------------------|----------|
| 1        | 5764-09465-XO | IC2                                              | BARE PC. BOARD CPU               | 1        |
| 2        | 5280-09408-XO | IC2                                              | 74125 HEX TRISTATE BUFFER        | 1        |
| 3        | 5370-08989-00 | IC3,IC4,IC8                                      | 8197 HEX TRISTATE BUFFER         | 3        |
| 4        | 5281-09308-XO | IC9                                              | 74LS245 OCTAL BUFFER             | 1        |
| 5        | 5280-09010-00 | IC6                                              | 74154 4 TO 16 DECODER            | 1        |
| 6        | 5280-09013-00 | IC7                                              | 7404 HEX INVERTER                | 1        |
| 7        | 5281-09235-00 | IC11                                             | 74LS10 TRIPPLE 3 INVERTER        | 1        |
| 8        | 5280-08973-00 | IC12                                             | 7408 QUAD AND                    | 1        |
| 9        | 5340-09409-XO | IC13,IC16                                        | 2114-45 1K X4 STATIC RAM         | 2        |
| 10       | 5281-09246-00 | IC15                                             | 74LS139 DUAL 2 TO 4 LINE DECODER | 1        |
| 11       | 5341-09553-00 | IC20                                             | ROM 2K X8 LOWER                  | 1        |
| 12       | 5341-09554-00 | IC17                                             | ROM 4K X8 UPPER                  | 1        |
| 13       | 5430-08972-00 | IC18,IC36                                        | MC6821 PIA                       | 2        |
| 14       | 5340-09017-00 | IC19                                             | MC 5101 CMOS RAM                 | 1        |
| 15       | 5431-09449-00 | IC23                                             | MC 1455 PI TIMER                 | 1        |
| 16       | 5280-09073-00 | IC24,IC32,IC33                                   | 7400 QUAD 2 INPUT NAND           | 3        |
| 17       | 5310-09236-00 | IC25                                             | 4020 CMOS 14 BIT COUNTER         | 1        |
| 18       | 5310-09237-00 | IC10                                             | 4071 CMOS QUAD 2 INPUT NOR       | 1        |
| 19       | 5281-09247-00 | IC5,IC31                                         | 74LS02 QUAD 2 INPUT NOR          | 2        |
| 20       | 5280-09407-XO | IC34                                             | 7447 BCD TO 7 SEG LED DISP       | 1        |
| 21       | 5671-09411-00 | IC35                                             | MAN 72A 7 SEG LED DISP           | 1        |
| 22       | 5019-09238-00 | IC28,IC29                                        | 13 DIP RES./PACK 4.7K OHM        | 2        |
| 23       | 5019-09223-00 | IC37                                             | 15 DIP RES./PACK 10K OHM         | 1        |
| 24       | 5645-09025-00 | DS1,DS2                                          | 8 STD DIP SWITCHES               | 2        |
| 25       | 5075-09018-00 | ZR1                                              | IN5996 ZENER DIODE 6.8V          | 1        |
| 26       | 5075-09039-00 | ZR2                                              | IN5990 ZENER DIODE 3.9V          | 1        |
| 27       | 5070-08919-00 | D1-D17,D19                                       | 1N4148 DIODE                     | 18       |
| 28       | 5160-08938-00 | Q3-Q9                                            | 2N4401 NPN TRANSISTOR            | 7        |
| 29       | 5190-09016-00 | Q1,Q2                                            | 2N4403 PNP TRANSISTOR            | 2        |
| 30       | 5070-09266-00 | D18                                              | 1N5817 DIODE                     | 1        |
| 31       | 5520-09020-00 | CR1                                              | CRYSTAL 3.58 MHZ                 | 1        |
| 32       | 5010-09358-00 | R5,R9,R20                                        | RESISTOR FC 1K OHM 5% 1/4W       | 3        |
| 33       | 5010-08983-00 | R2,R6-R8,R21,R28                                 | RESISTOR FC 3.3K OHM 5% 1/4W     | 6        |
| 34       | 5010-08991-00 | R13-R18,R29,R33-R35,R40,R42                      | RESISTOR FC 4.7K OHM 5% 1/4W     | 13       |
| 35       | 5010-09086-00 | R22                                              | RESISTOR FC 6.8K OHM 5% 1/4W     | 1        |
| 36       | 5010-09036-00 | R19,R30                                          | RESISTOR FC 100 OHM 5% 1/4W      | 2        |
| 37       | 5010-09187-00 | R36-R39,R46-R50                                  | RESISTOR FC 150 OHM 5% 1/4W      | 9        |
| 38       | 5010-09113-00 | R23,R26                                          | RESISTOR FC 33K OHM 5% 1/4W      | 2        |
| 39       | 5010-09024-00 | R1,R3                                            | RESISTOR FC 10K OHM 5% 1/4W      | 2        |
| 40       | 5010-09241-00 | R25,R32,R10,R11                                  | RESISTOR FC 22K OHM 5% 1/4W      | 4        |
| 41       | 5010-08998-00 | R27                                              | RESISTOR FC 2.2K OHM 5% 1/4W     | 1        |
| 42       | 5010-09039-00 | R12                                              | RESISTOR FC 10 OHM 5% 1/4W       | 1        |
| 43       | 5010-09442-00 | R43                                              | RESISTOR FC 330K OHM 5% 1/4W     | 1        |
| 44       | 5010-08997-00 | R24,R31                                          | RESISTOR FC 27K OHM 5% 1/4W      | 2        |
| 45       | 5010-09083-00 | R44,R45                                          | RESISTOR FC 470 OHM 5% 1/4W      | 2        |
| 46       | 5043-08980-00 | C1-C22,C28,C30,C32-C37,C63-C67,C83               | CAPACITOR CERAMIC 10MED 50V      | 36       |
| 47       | 5040-08986-00 | C23                                              | CAPACITOR ELECT 100MFD 10V       | 1        |
| 48       | 5043-08996-00 | C24                                              | CAPACITOR CERAMIC 1MED 50V       | 1        |
| 49       | 5043-09169-00 | C25,C26                                          | CAPACITOR CERAMIC 27PFD 1KV      | 2        |
| 50       | 5041-09243-00 | C27                                              | CAPACITOR TANT. 10 MFD 10V       | 1        |
| 51       | 5041-09031-00 | C31                                              | CAPACITOR TANT. 1MFD 25V         | 1        |
| 52       | 5043-09030-00 | C84                                              | CAPACITOR CERAMIC .047MFD 50V    | 1        |
| 53       | 5043-09065-00 | C29,C38-C62,C68-C82,C85,C86                      | CAPACITOR CERAMIC 470PFD 50V     | 43       |
| 54       | 5671-09019-00 | LED1,LED2                                        | LED RED                          | 2        |
| 55       | SEE NOTE      | SW1,SW2                                          | SWITCH MOMENTARY                 | 2        |
| 56       | 5881-09021-00 |                                                  | BATTERY HOLDER #171              | 1        |
| 57       | 5791-09026-00 | J1                                               | HEADER 09-64-1083 8 PIN          | 5        |
| 58       | 5791-09028-00 | J3,J4                                            | HEADER 09-65-1041 4 PIN          | 2        |
| 59       |               |                                                  |                                  |          |
| 60       | 5791-09027-00 | J2,J5-J7                                         | HEADER 09-65-1091 9 PIN          | 4        |
| 61       | 5791-09043-00 | J8                                               | HEADER 09-65-1121 12 PIN         | 1        |
| 62       | 5700-08985-00 |                                                  | 40 PIN IC SOCKET                 | 1        |
| 63       | 5700-09004-00 |                                                  | 24 PIN IC SOCKET                 | 6        |
| 64       | 5010-09534-00 | W3,W6,W8,W10,W11,W14,W17,W19,W20,W25,W26,W29,W22 | RESISTOR FC 0 OHM 1/4W           | 13       |
| 65       | 5824-09248-00 | TP1-TP10                                         | TEST TERMINALS #1502-1           | 10       |

NOTE: USE EITHER 5641-09312-00, 5641-09024-00 OR 5641-09371-00

|                            |  |                                                 |             |
|----------------------------|--|-------------------------------------------------|-------------|
| TOLERANCES                 |  | QTY.                                            | ASSEMBLE ON |
| UNLESS OTHERWISE SPECIFIED |  | WILLIAMS ELECTRONICS, INC.                      |             |
| FRACTIONAL .25/.04"        |  | 3401 N. CALIFORNIA CHICAGO, ILL. 60618 267-2840 |             |
| DECIMAL .0008"             |  | NAME PIN BALL CPU SUB-ASSEMBLY                  |             |
| HOLE DIA. +.002-.000"      |  | MATERIAL                                        |             |
| ANGULAR .5/16"             |  | HEAT TREATMENT                                  |             |
| CONCENTRICITY .1/16-.0008" |  | FINISH                                          |             |
| SCREW THREADS CLASS 2      |  | DATE 9-20-83                                    |             |
| DWG. CHOBBS                |  | SCALE                                           |             |
| APP'D.                     |  | D-8342                                          |             |

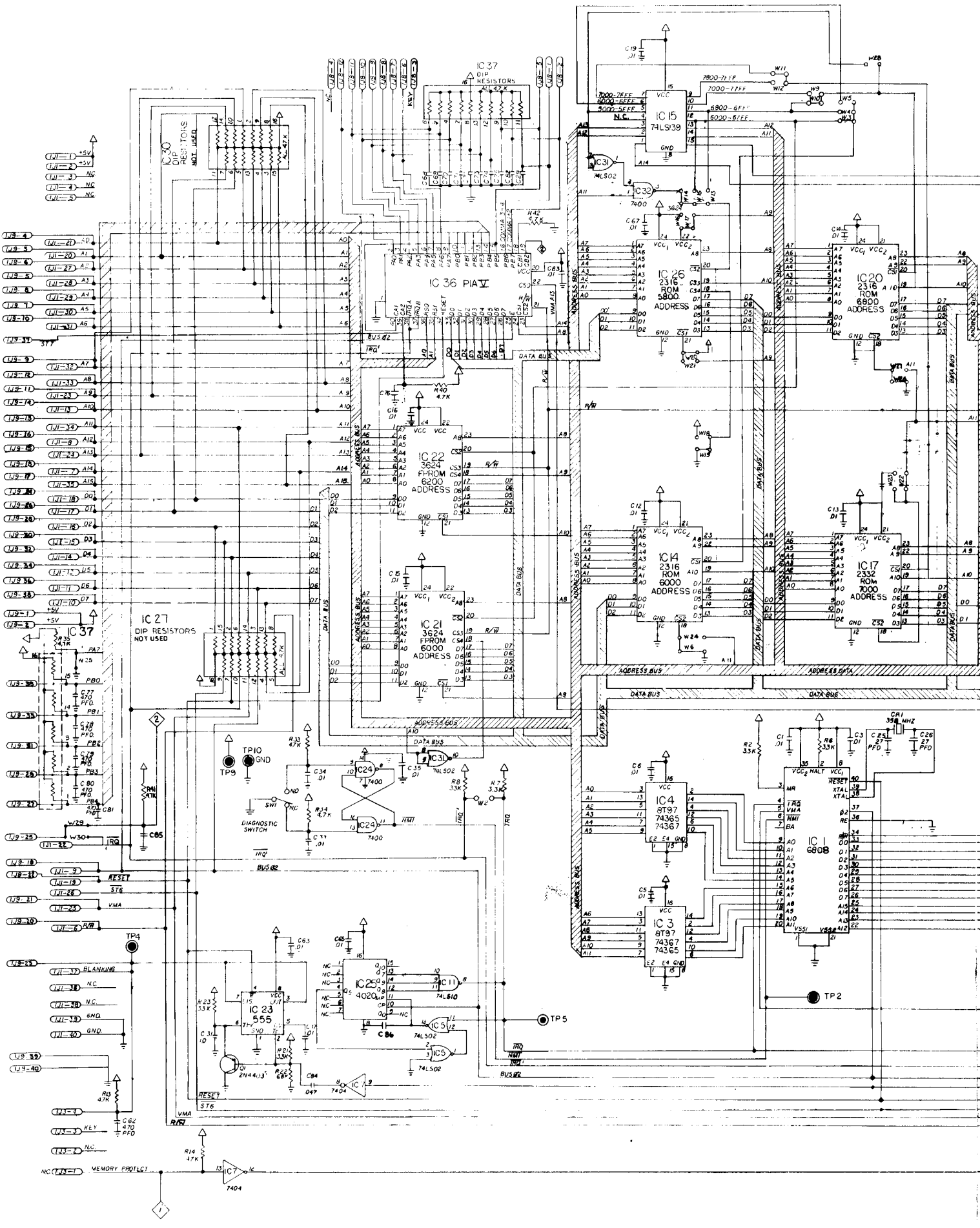


- (U1-1) +5V
- (U1-2) +5V
- (U1-3) NC
- (U1-4) NC
- (U1-5) NC

- (U2-4) (U1-21) A0
- (U2-5) (U1-20) A1
- (U2-6) (U1-27) A2
- (U2-7) (U1-28) A3
- (U2-8) (U1-29) A4
- (U2-9) (U1-30) A5
- (U2-10) (U1-31) A6

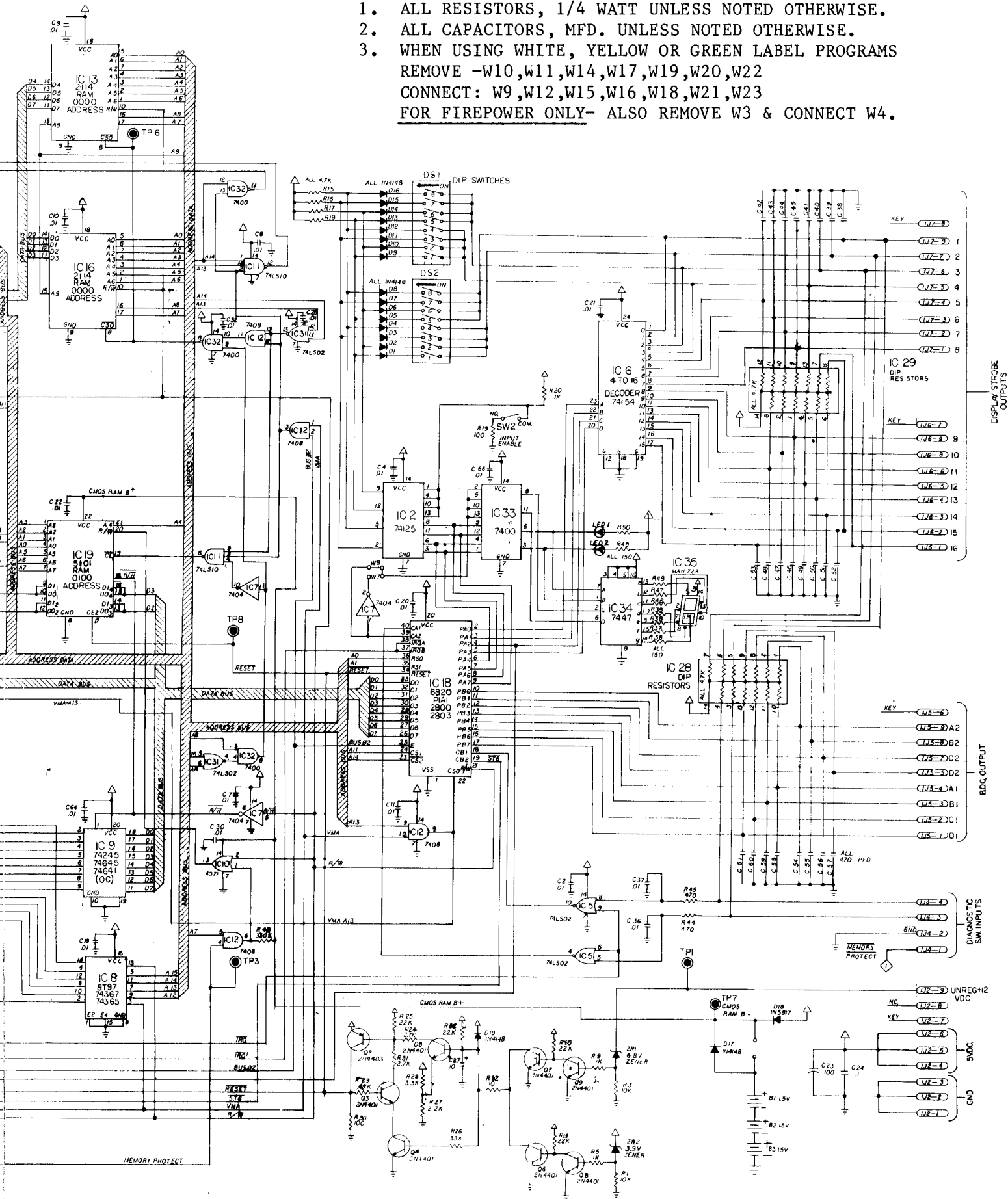
- (U2-11) A7
- (U2-12) A8
- (U2-13) A9
- (U2-14) A10
- (U2-15) A11
- (U2-16) A12
- (U2-17) A13
- (U2-18) A14
- (U2-19) A15
- (U2-20) A16
- (U2-21) A17
- (U2-22) A18
- (U2-23) A19
- (U2-24) A20
- (U2-25) A21
- (U2-26) A22
- (U2-27) A23
- (U2-28) A24
- (U2-29) A25
- (U2-30) A26
- (U2-31) A27
- (U2-32) A28
- (U2-33) A29
- (U2-34) A30
- (U2-35) A31
- (U2-36) A32
- (U2-37) A33
- (U2-38) A34
- (U2-39) A35
- (U2-40) A36
- (U2-41) A37
- (U2-42) A38
- (U2-43) A39
- (U2-44) A40
- (U2-45) A41
- (U2-46) A42
- (U2-47) A43
- (U2-48) A44
- (U2-49) A45
- (U2-50) A46
- (U2-51) A47
- (U2-52) A48
- (U2-53) A49
- (U2-54) A50
- (U2-55) A51
- (U2-56) A52
- (U2-57) A53
- (U2-58) A54
- (U2-59) A55
- (U2-60) A56
- (U2-61) A57
- (U2-62) A58
- (U2-63) A59
- (U2-64) A60
- (U2-65) A61
- (U2-66) A62
- (U2-67) A63
- (U2-68) A64
- (U2-69) A65
- (U2-70) A66
- (U2-71) A67
- (U2-72) A68
- (U2-73) A69
- (U2-74) A70
- (U2-75) A71
- (U2-76) A72
- (U2-77) A73
- (U2-78) A74
- (U2-79) A75
- (U2-80) A76
- (U2-81) A77
- (U2-82) A78
- (U2-83) A79
- (U2-84) A80
- (U2-85) A81
- (U2-86) A82
- (U2-87) A83
- (U2-88) A84
- (U2-89) A85
- (U2-90) A86
- (U2-91) A87
- (U2-92) A88
- (U2-93) A89
- (U2-94) A90
- (U2-95) A91
- (U2-96) A92
- (U2-97) A93
- (U2-98) A94
- (U2-99) A95
- (U2-100) A96
- (U2-101) A97
- (U2-102) A98
- (U2-103) A99
- (U2-104) A100

- (U3-1) +5V
- (U3-2) RESET
- (U3-3) STB
- (U3-4) VMA
- (U3-5) BLANKING
- (U3-6) NC
- (U3-7) NC
- (U3-8) GND
- (U3-9) GND
- (U3-10) GND
- (U3-11) KEY
- (U3-12) NC
- (U3-13) MEMORY PROTECT



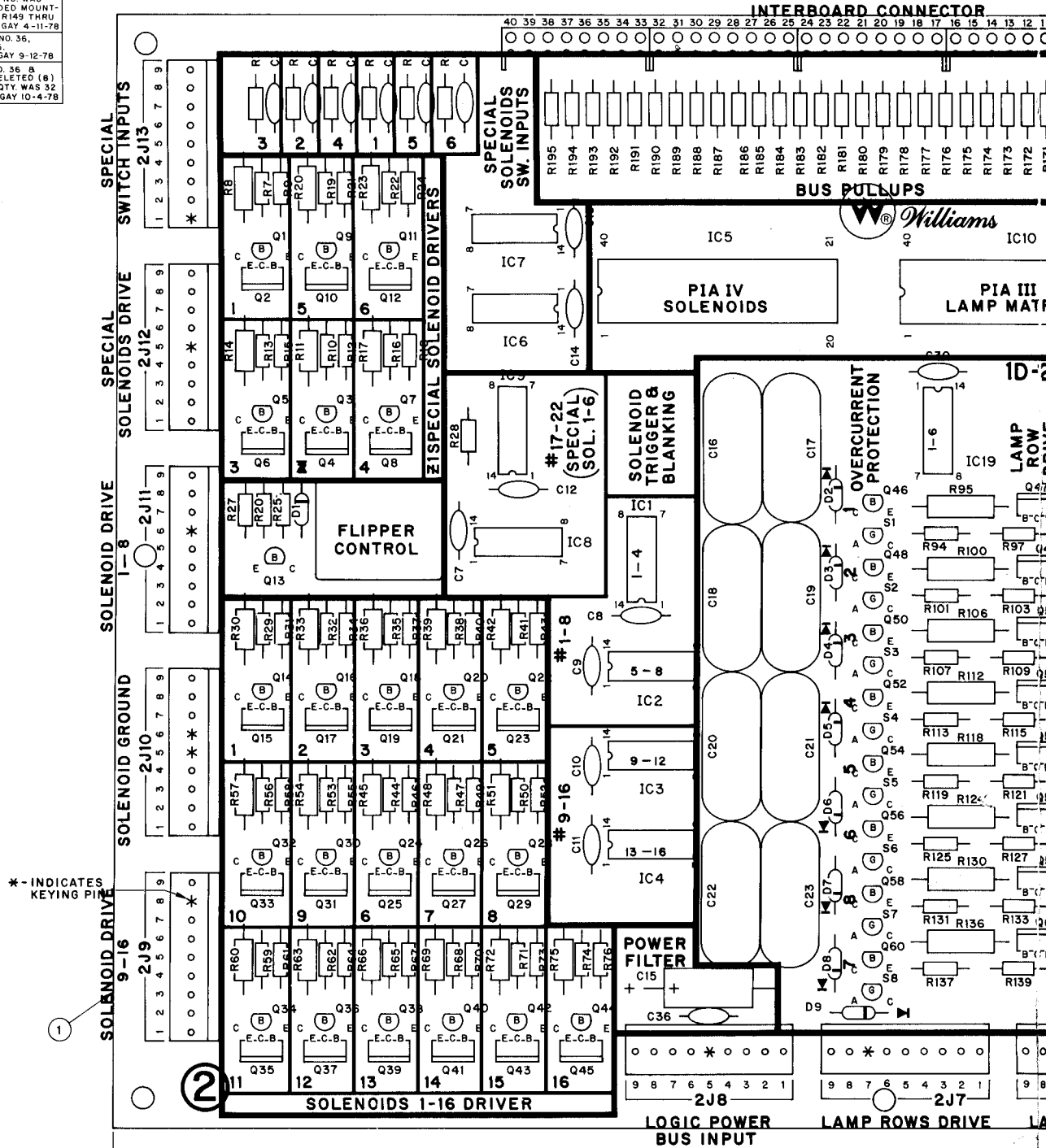
NOTES:

1. ALL RESISTORS, 1/4 WATT UNLESS NOTED OTHERWISE.
2. ALL CAPACITORS, MFD. UNLESS NOTED OTHERWISE.
3. WHEN USING WHITE, YELLOW OR GREEN LABEL PROGRAMS REMOVE -W10,W11,W14,W17,W19,W20,W22 CONNECT: W9,W12,W15,W16,W18,W21,W23 FOR FIREPOWER ONLY- ALSO REMOVE W3 & CONNECT W4.

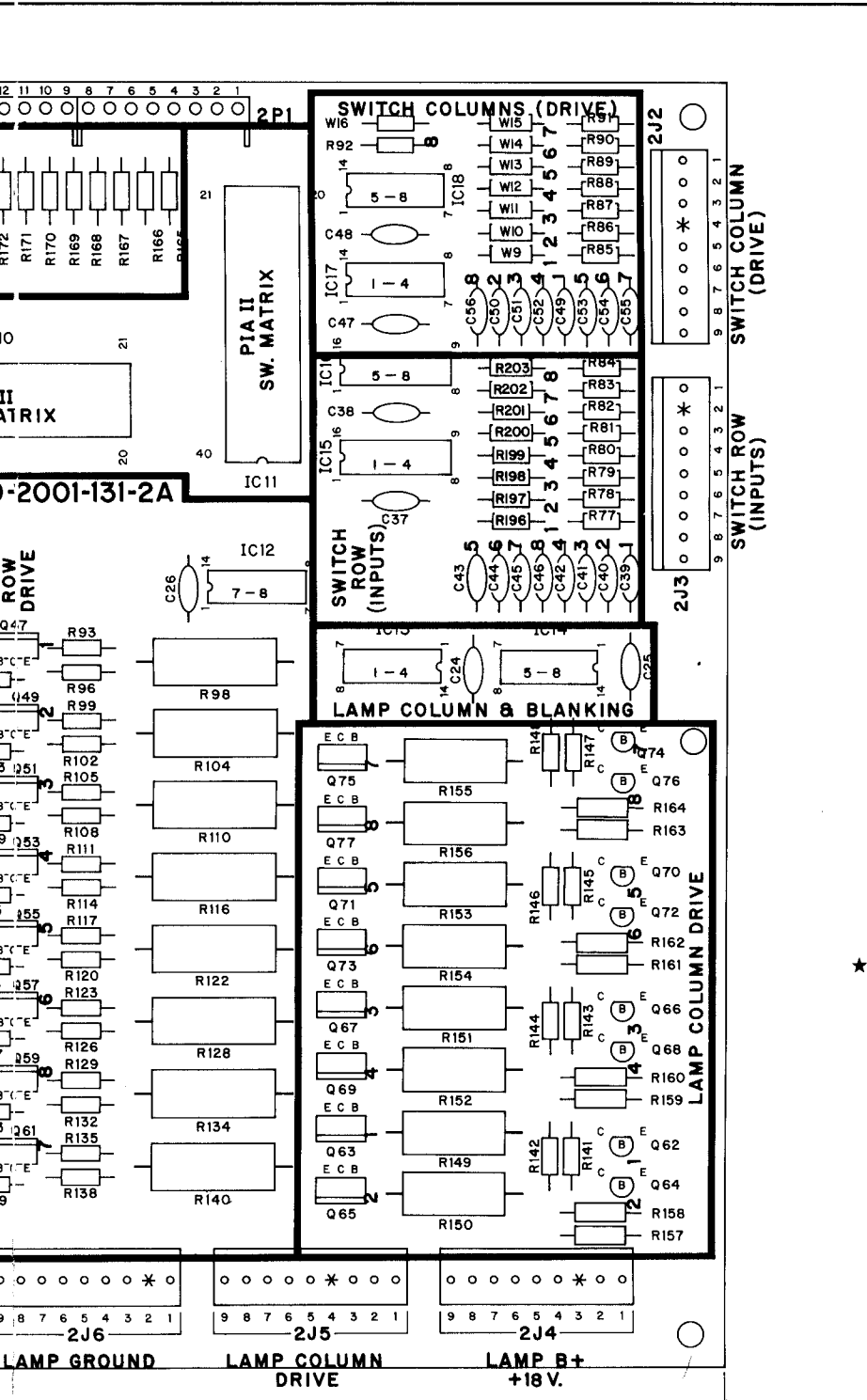


CPU Board Logic Diagram 9

| REVISION LETTER | REVISION                                                                                                 |
|-----------------|----------------------------------------------------------------------------------------------------------|
| C               | REVISED AND REDRAWN<br>R. GAY 11-28-77                                                                   |
| D               | ITEM NO. 28, PT. NO. WAS<br>5A-8999 B ADDED MOUNT-<br>ING NOTE FOR R149 THRU<br>R156. R. GAY 4-11-78     |
| E               | DELETED ITEM NO. 36,<br>PT. NO. 5A-8985.<br>E.C.O. R. GAY 9-12-78                                        |
| F               | ADDED ITEM NO. 36 B<br>ITEM NO. 22, DELETED (B)<br>RESISTORS B QTY. WAS 32<br>E.C.O. 4624 R. GAY 10-4-78 |

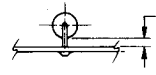


REDUCE TO EXACTLY 13.000"



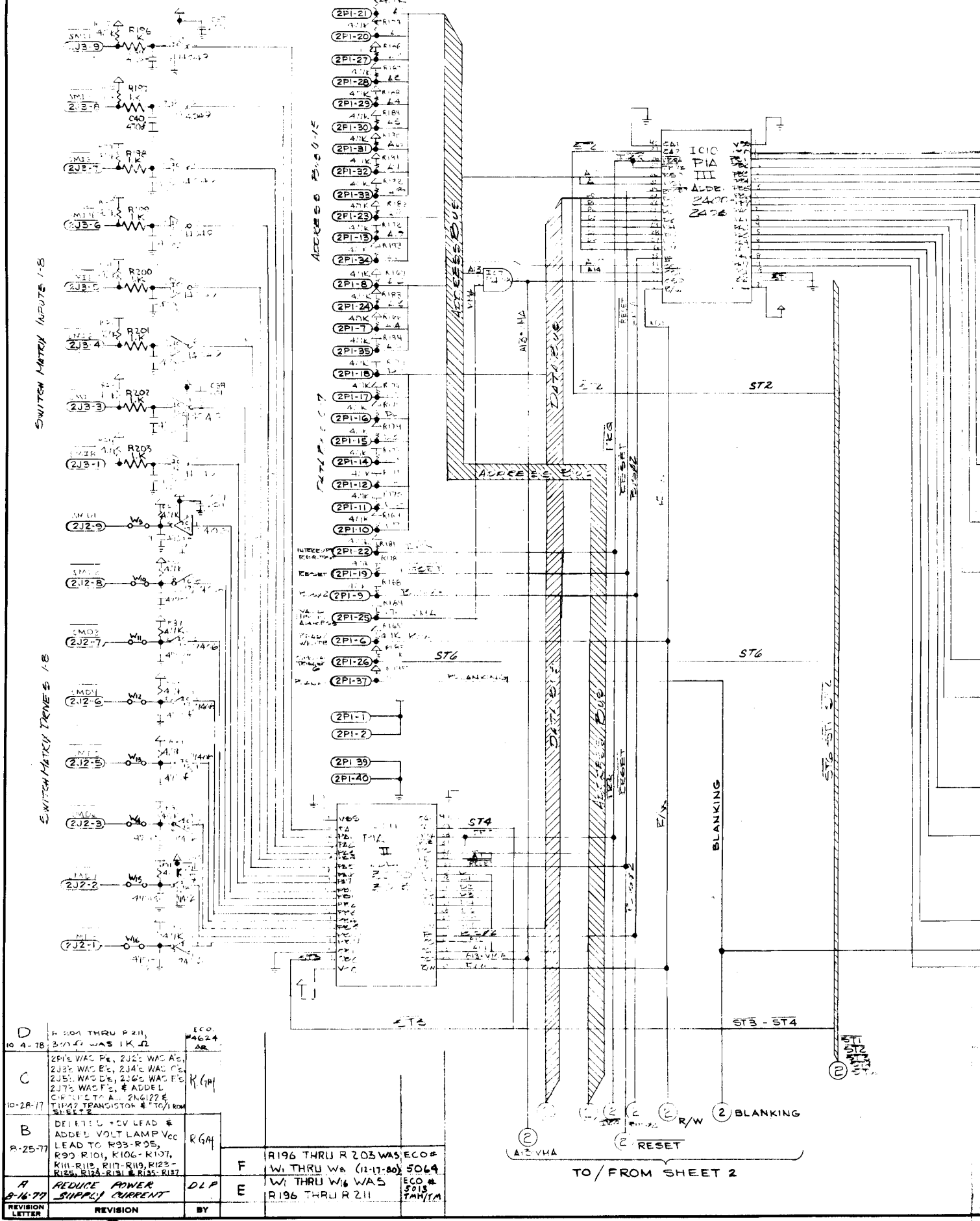
| BILL OF MATERIAL |             |                                                                                                                  |                                                                           |            |
|------------------|-------------|------------------------------------------------------------------------------------------------------------------|---------------------------------------------------------------------------|------------|
| ITEM NO.         | PART NO.    | PART DESIGNATION                                                                                                 | DESCRIPTION                                                               | REQ'D. NO. |
| 1                | 1B-2001-131 |                                                                                                                  | BARE P.C. BOARD                                                           | 1          |
| 2                | 5A-8948     | IC8, IC9                                                                                                         | N7402 QUADRUPLE 2 INPUT POSITIVE NOR GATE                                 | 2          |
| 3                | 5A-8974     | IC12, IC17, IC18, IC19                                                                                           | N7406 HEX. INVERTER BUFFER DRIVERS W/ OPEN COLLECTOR HIGH VOLTAGE OUTPUTS | 4          |
| 4                | 5A-8973     | IC1 THRU IC4, IC6, IC7, IC13, IC14                                                                               | N7408 QUADRUPLE 2 INPUT POSITIVE AND GATE                                 | 8          |
| 5                | 5A-8975     | IC5, IC16                                                                                                        | MC14049 INVERTING HEX. BUFFER                                             | 2          |
| 6                | 5A-8972     | IC5, IC10, IC11                                                                                                  | MC6820 PERIPHERAL INTERFACE ADAPTER                                       | 3          |
| 7                | 5A-8938     | Q1, Q3, Q5, Q7, Q9, Q11, Q13, Q14, Q16, Q18, Q20, Q22, Q24, Q26, Q28, Q30, Q32, Q34, Q36, Q38, Q40, Q42, Q44     | 2N4401 NPN TRANSISTOR                                                     | 23         |
| 8                | 5A-8976     | Q46, Q48, Q50, Q52, Q54, Q56, Q58, Q60, Q62, Q64, Q66, Q68, Q70, Q72, Q74, Q76                                   | 2N6427 DARLINGTON NPN TRANSISTOR                                          | 16         |
| 9                | 5A-8977     | Q2, Q4, Q6, Q8, Q10, Q12, Q15, Q17, Q19, Q21, Q25, Q27, Q29, Q31, Q33, Q35, Q37, Q39, Q41, Q43, Q45              | TIPI22 DARLINGTON NPN POWER TRANSISTOR                                    | 22         |
| 10               | 5A-8978     | Q63, Q65, Q67, Q69, Q71, Q73, Q75, Q77                                                                           | TI142 PNP POWER TRANSISTOR                                                | 8          |
| 11               | 5A-8979     | Q47, Q49, Q51, Q53, Q55, Q57, Q59, Q61                                                                           | 2N6122 NPN POWER TRANSISTOR                                               | 8          |
| 12               | 5A-6258     | D1                                                                                                               | 1N4001 DIODE                                                              | 1          |
| 13               | 5A-8919     | D2 THRU D9                                                                                                       | 1N4148 DIODE                                                              | 8          |
| 14               | 5A-9014     | S1 THRU S8                                                                                                       | 2N5060 SCR                                                                | 8          |
| 15               | 5A-8980     | C1 THRU C4, C24, C25, C26, C30, C37, C38, C47, C48                                                               | CAPACITOR, CERAMIC, .01 MFD. +80 -20% 50 V.                               | 22         |
| 16               | 5A-8995     | C16 THRU C23                                                                                                     | CAPACITOR, POLYESTER FILM, .1 MFD. 10%                                    | 7          |
| 17               | 5A-9065     | C37 THRU C46, C49 THRU C56                                                                                       | CAPACITOR, CERAMIC, 470 PFD. 20% 50 V.                                    | 16         |
| 18               | 5A-8986     | C15                                                                                                              | CAPACITOR, ELECT., 100 MFD. 10 V.                                         | 1          |
| 19               | 5A-8996     | C36                                                                                                              | CAPACITOR, CERAMIC, 1 MFD. +80 -20% 50 V.                                 | 1          |
| 20               | 5A-8991     | R1 THRU R6, R27, R77 THRU R92, R157 THRU R195                                                                    | RESISTOR, FC, 4.7 K OHM 10% 1/4 W                                         | 62         |
| 21               | 5A-8983     | R27                                                                                                              | RESISTOR, FC, 3.3 K OHM 10% 1/4 W                                         | 1          |
| 22               | 5A-8984     | R96, R97, R102, R103, R108, R109, R114, R115, R121, R122, R126, R127, R132, R133, R138, R139, R196 THRU R203     | RESISTOR, FC, 1K OHM 10% 1/4 W                                            | 24         |
| 23               | 5A-8992     | R7, R10, R13, R16, R19, R22, R29, R32, R35, R39, R41, R44, R47, R50, R53, R56, R59, R62, R65, R68, R71, R74      | RESISTOR, FC, 560 OHM 10% 1/4 W                                           | 22         |
| 24               | 5A-8993     | R8, R11, R14, R17, R20, R23, R30, R33, R36, R39, R42, R45, R48, R51, R54, R57, R60, R63, R66, R69, R72, R75      | RESISTOR, FC, 68 OHM 10% 1/2 W                                            | 22         |
| 25               | 5A-8997     | R9, R12, R15, R18, R21, R24, R25, R31, R34, R37, R40, R43, R46, R49, R52, R55, R58, R61, R64, R67, R70, R73, R76 | RESISTOR, FC, 2.7 K OHM 10% 1/4 W                                         | 23         |
| 26               | 5A-8817     | R26                                                                                                              | RESISTOR, FC, 10 K OHM 10% 1/4 W                                          | 1          |
| 27               | 5A-8998     | R141 THRU R148                                                                                                   | RESISTOR, FC, 2.2 K OHM 10% 1/4 W                                         | 8          |
| 28               | 5A-8999-1   | R149 THRU R156                                                                                                   | RESISTOR, FC, 27 OHM 10% 2 W                                              | 8          |
| 29               | 5A-9084     | R95, R100, R106, R112, R116, R124, R130, R136                                                                    | RESISTOR, FC, 100 OHM 10% 3 W                                             | 8          |
| 30               | 5A-9085     | R93, R99, R105, R111, R117, R123, R129, R135                                                                     | RESISTOR, FC, 1.5 K OHM 10% 1/4 W                                         | 8          |
| 31               | 5A-9086     | R94, R101, R107, R113, R119, R125, R131, R137                                                                    | RESISTOR, FC, 6.8 K OHM 10% 1/4 W                                         | 8          |
| 32               | 5A-9037     | R98, R104, R110, R116, R122, R128, R134, R140                                                                    | RESISTOR, WIREWOUND, .4 OHM 10% 3 WATT                                    | 8          |
| 33               | 5A-8994     | Z1                                                                                                               | RELAY, 4 POLE - 5 AMP. CONTACTS 40 OHM COIL, 6 V.D.C.                     | 1          |
| 34               | 5A-9066     | 2P1                                                                                                              | 8 PIN RECEPTACLE                                                          | 6          |
| 35               | 5A-9027     | 2J2 THRU 2J3                                                                                                     | 9 PIN HEADER                                                              | 12         |
| 36               | 5A-8534     | W9 THRU W16                                                                                                      | RESISTOR, FC, 0 OHM, 1/4 W                                                | 8          |

★ R149 THRU R156 MUST BE MOUNTED 1/8" ABOVE SURFACE OF BOARD.



WILLIAMS ELECTRONICS, INC.  
 SUBSIDIARY OF XCOR CORPORATION  
 3401 N. CALIFORNIA CHICAGO, ILL. 60618 CORNELIA, 7-2240

PART NAME: DRIVER BOARD ASSEMBLY  
 DWN: R. Gay DATE: 8-16-77 APPD: SCALE: 2=1 PART NO: D-7997



|   |          |                                                                                                                                                                 |              |
|---|----------|-----------------------------------------------------------------------------------------------------------------------------------------------------------------|--------------|
| D | 4-30-78  | R 201 THRU R 211, 3-20-78 WAS 1K Ω                                                                                                                              | ECO #4624 AR |
| C | 10-28-77 | 2PI'S WAG Pcs, 2J2'S WAG As, 2J3'S WAG Bs, 2J4'S WAG Cs, 2J5'S WAG Ds, 2J6'S WAG Es, 2J7'S WAG Fs, & ADDED C/P'S TO ALL 2N6122 & 2N1613 TRANSISTORS TO 1/2 WATT | RGM          |
| B | 8-25-77  | DEFERED +CV LEAD & ADDED VOLT LAMP Vcc LEAD TO R98-R95, R99 R101, R106-R107, R118-R119, R121-R125, R136-R138, R141 & R145-R147                                  | RGM          |
| A | 8-14-77  | REDUCE POWER SUPPLY CURRENT                                                                                                                                     | DLP          |

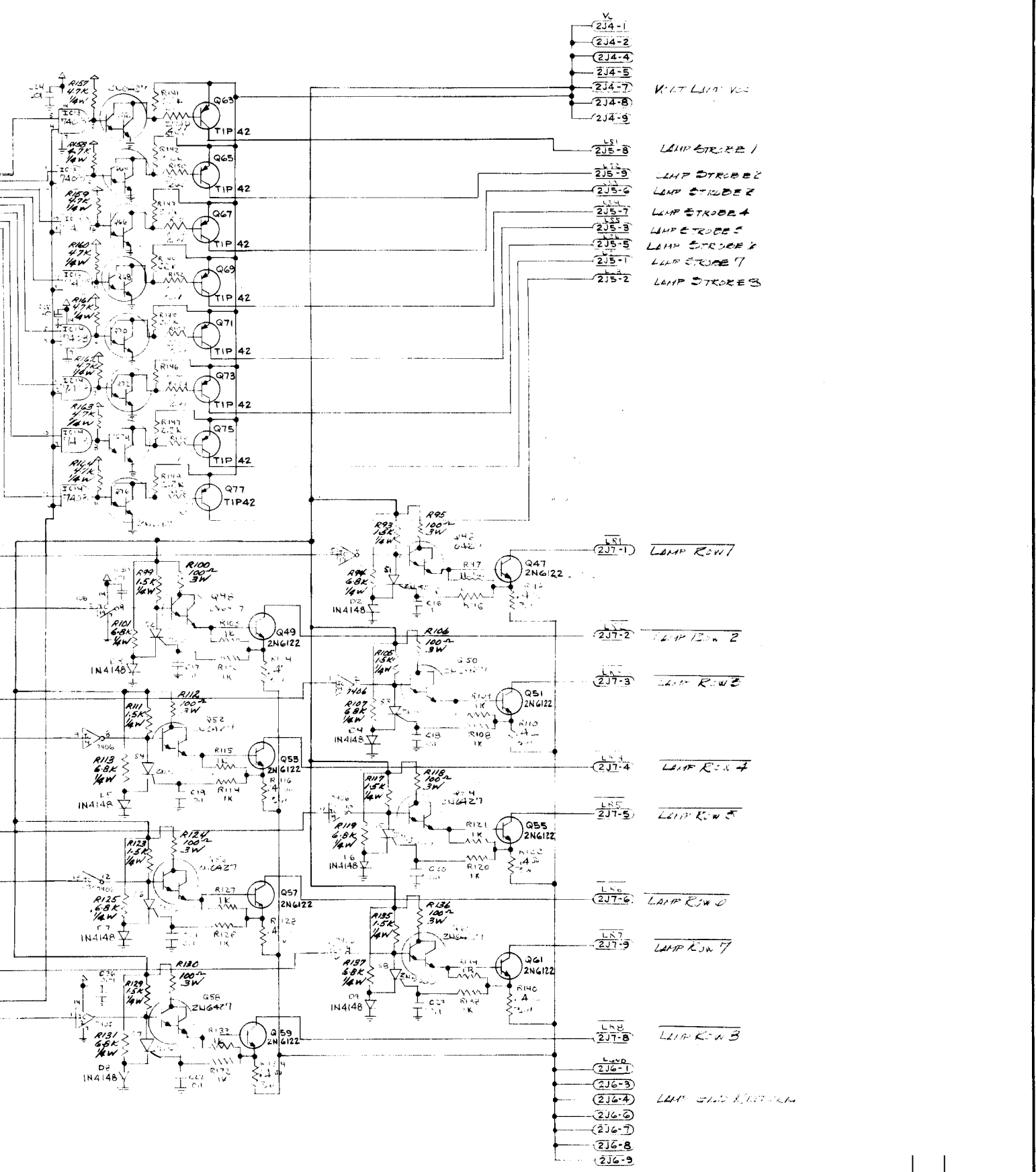
|   |                                                       |
|---|-------------------------------------------------------|
| F | R196 THRU R 205 WAS ECO # W1 THRU W6 (11-17-80) 5064  |
| E | R196 THRU R 211 WAS ECO # R196 THRU R 211 5015 1AH/TA |

TO/FROM SHEET 2

RESET

R/W

BLANKING



VOLT LAMP VOL  
 2J4-1  
 2J4-2  
 2J4-4  
 2J4-5  
 2J4-7  
 2J4-8  
 2J4-9

LAMP STROBE 1  
 2J5-8  
 LAMP STROBE 2  
 2J5-9  
 LAMP STROBE 3  
 2J5-6  
 LAMP STROBE 4  
 2J5-7  
 LAMP STROBE 5  
 2J5-3  
 LAMP STROBE 6  
 2J5-5  
 LAMP STROBE 7  
 2J5-1  
 LAMP STROBE 8  
 2J5-2

LAMP ROW 1  
 2J7-1

LAMP ROW 2  
 2J7-2

LAMP ROW 3  
 2J7-3

LAMP ROW 4  
 2J7-4

LAMP ROW 5  
 2J7-5

LAMP ROW 6  
 2J7-6

LAMP ROW 7  
 2J7-7

LAMP ROW 8  
 2J7-8

LAMP STROBE 9  
 2J6-1  
 2J6-3  
 2J6-4  
 2J6-6  
 2J6-7  
 2J6-8  
 2J6-9

|                            |        |                                 |                  |
|----------------------------|--------|---------------------------------|------------------|
| TOLERANCES                 |        | WILLIAMS ELECTRONIC MFG. CORP.  |                  |
| UNLESS OTHERWISE SPECIFIED |        | SUBSIDIARY OF THE HERRING CORP. |                  |
| FRACTIONS                  | ± 1/64 | 3401 N. CALIFORNIA              | CHICAGO 18, ILL. |
| DECIMALS                   | ± .005 | CORNELIA 7-2240                 |                  |
| HOLES                      | + .002 | NAME SCHEMATIC, DRIVER BOARD    |                  |
| ANGULAR                    | ± 1/2° | MATERIAL                        | HEAT TREATMENT   |
|                            |        | FINISH                          |                  |
| APP'D                      | W.E.   | PAT                             | 7777             |
| APP'D                      |        | SCALE                           |                  |
|                            |        |                                 | 10-7997          |

Driver Board Logic Diagram  
 (Sheet 1 of 2) 11/12

SOLENOID 1 DRIVE

SOLENOID 2 DRIVE

SOLENOID 3 DRIVE

SOLENOID 4 DRIVE

SOLENOID 5 DRIVE

SOLENOID 6 DRIVE

SOLENOID 7 DRIVE

SOLENOID 8 DRIVE

SOLENOID 9 DRIVE

SOLENOID 10 DRIVE

SOLENOID 11 DRIVE

SOLENOID 12 DRIVE

SOLENOID 13 DRIVE

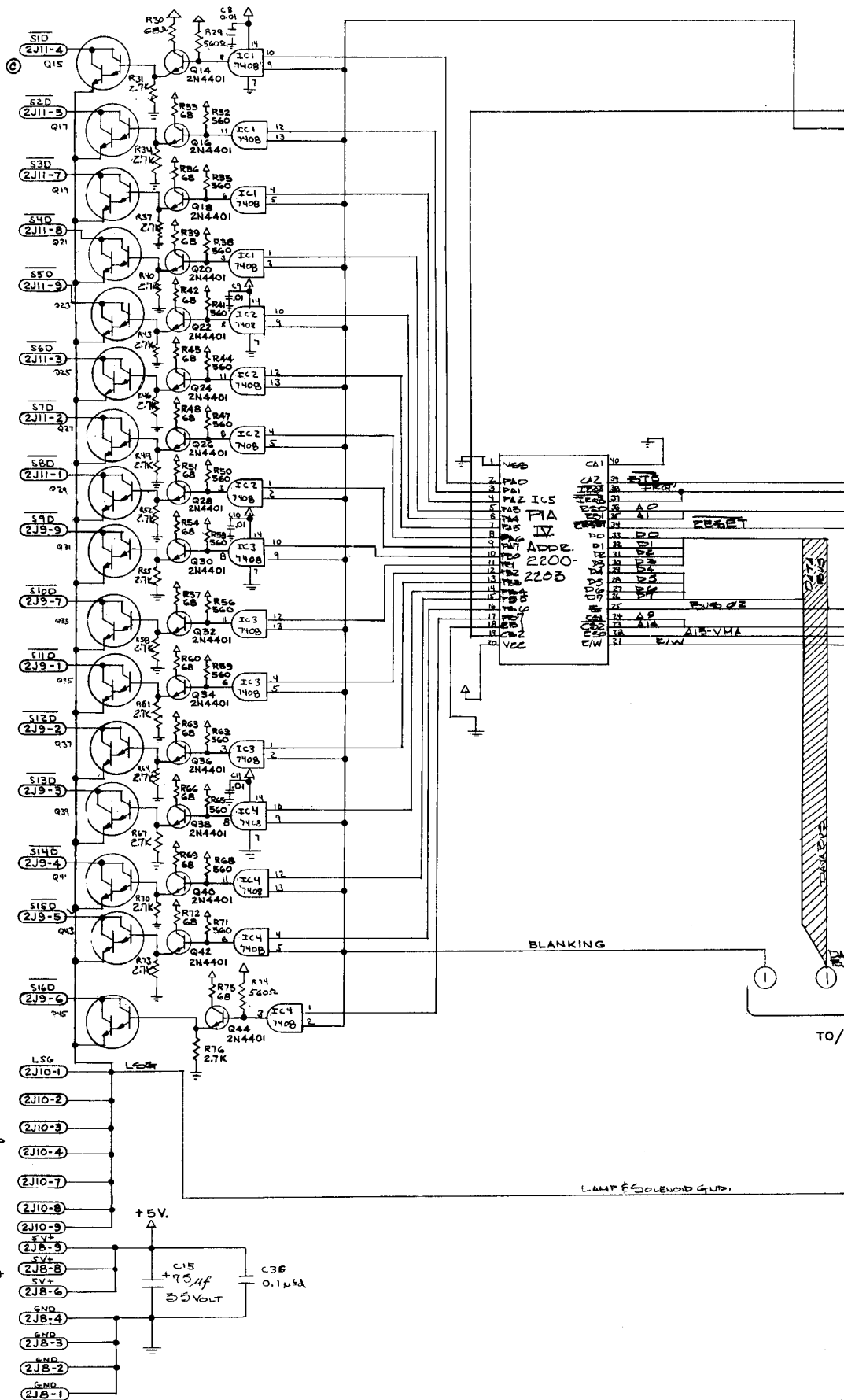
SOLENOID 14 DRIVE

SOLENOID 15 DRIVE

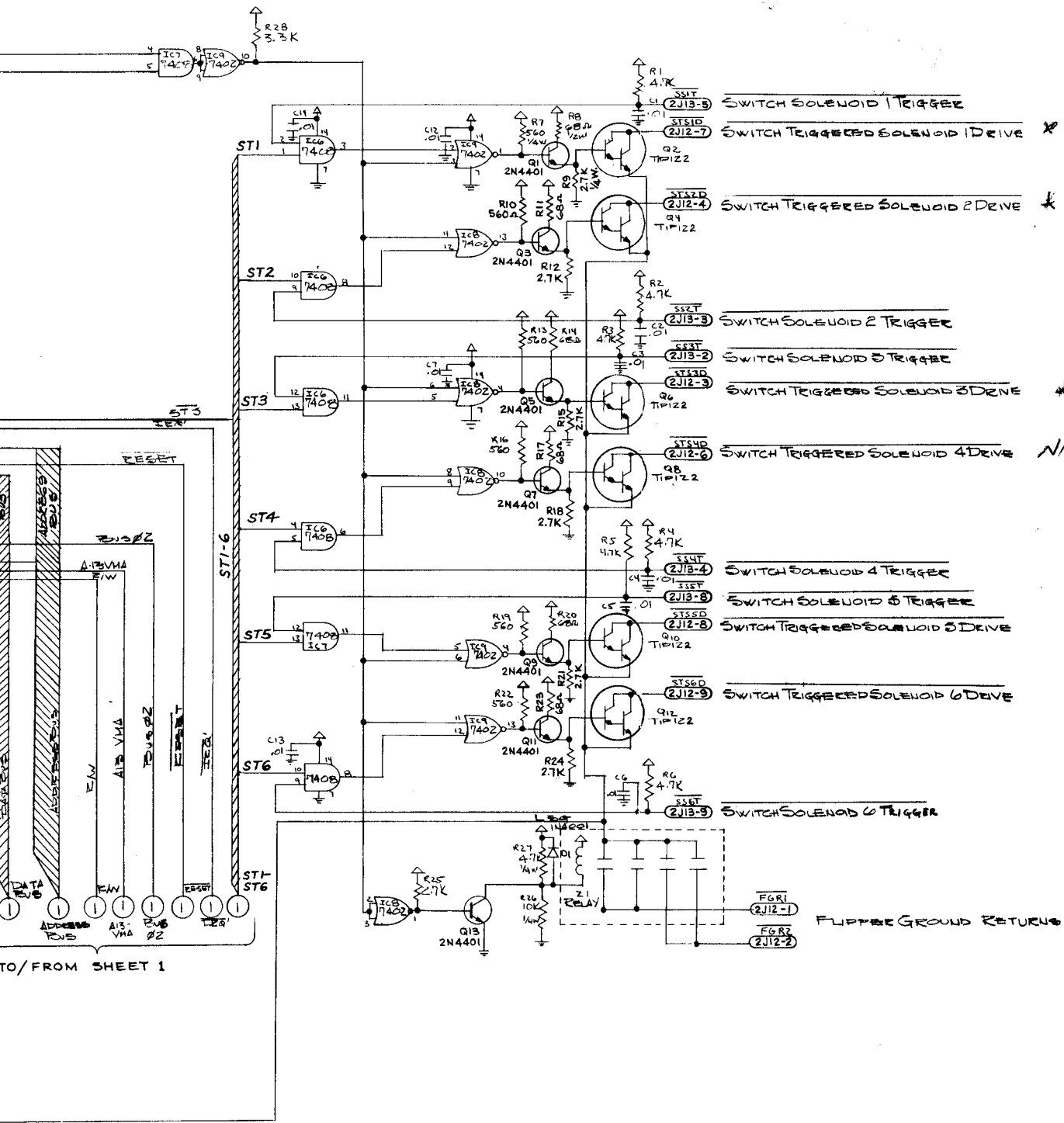
SOLENOID 16 DRIVE

LAMP & SOLENOID GROUND

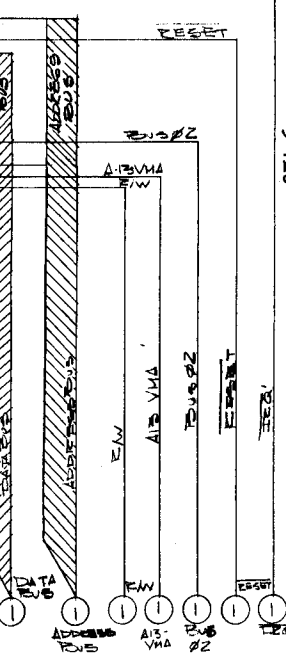
LAMP & SOLENOID GND.



|                 |                                                                                                                                                       |                  |
|-----------------|-------------------------------------------------------------------------------------------------------------------------------------------------------|------------------|
| C               | CHANGE TIP J20 TO VENDOR SELECTED DARLINGTON                                                                                                          | E.C.O. 4889      |
| B               | 2J8'S WAS G'S, 2J9'S WAS H'S, 2J10'S WAS J'S, 2J11 WAS K'S, 2J12 WAS L'S, 2J13'S WAS M'S & ADDED 170/FROM SHEET 1 & CIRCLES TO ALL 2N4401 TRANSISTORS | P. Gaff 10-28-77 |
| A               | REVISION "A"                                                                                                                                          |                  |
| REVISION LETTER | REVISION                                                                                                                                              | BY               |



TO/FROM SHEET 1



- SWITCH SOLENOID 1 TRIGGER
- SWITCH TRIGGERED SOLENOID 1 DRIVE \*
- SWITCH TRIGGERED SOLENOID 2 DRIVE \*
- SWITCH SOLENOID 2 TRIGGER
- SWITCH SOLENOID 3 TRIGGER
- SWITCH TRIGGERED SOLENOID 3 DRIVE \*
- SWITCH TRIGGERED SOLENOID 4 DRIVE N/A.
- SWITCH SOLENOID 4 TRIGGER
- SWITCH SOLENOID 5 TRIGGER
- SWITCH TRIGGERED SOLENOID 5 DRIVE
- SWITCH TRIGGERED SOLENOID 6 DRIVE
- SWITCH SOLENOID 6 TRIGGER

FLIP-FLOP GROUND RETURNS

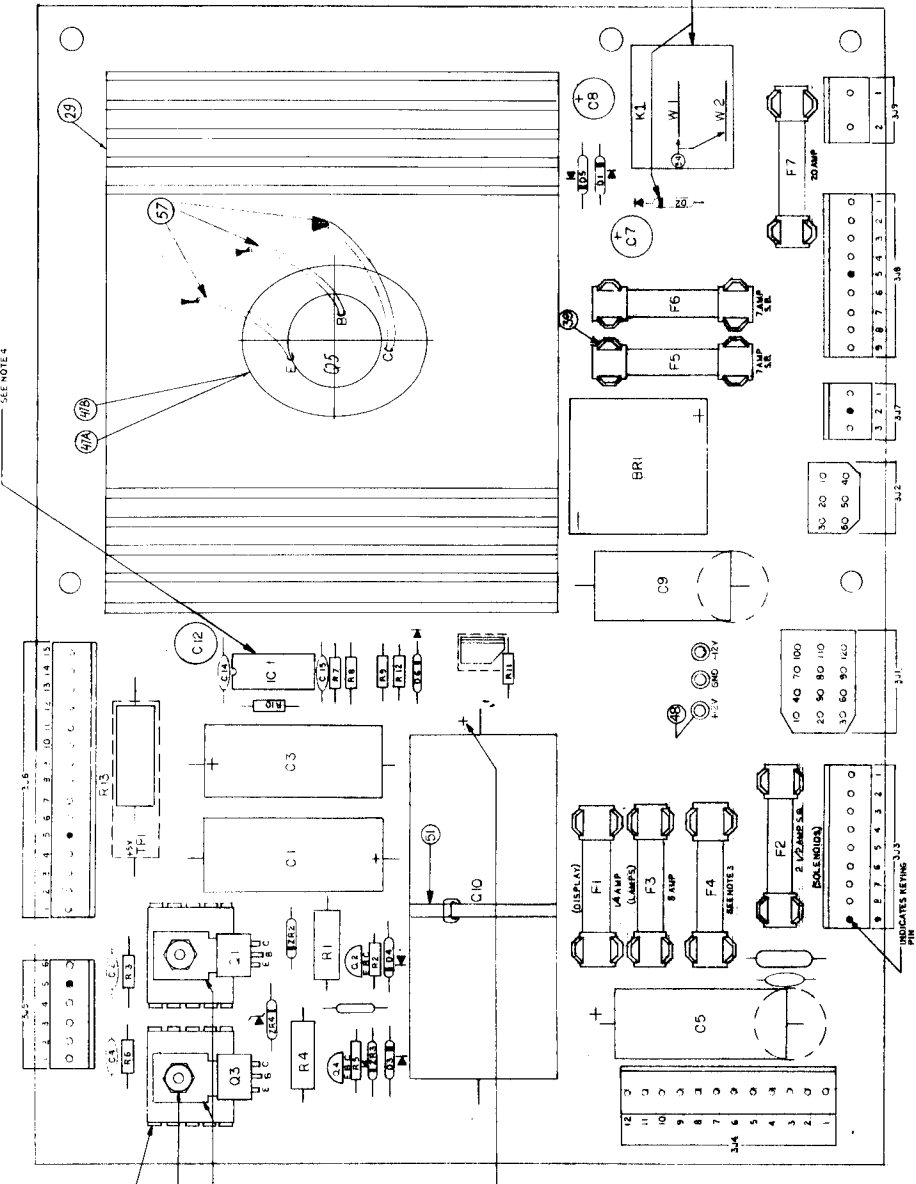
|                                          |        |                                                                   |                  |                 |
|------------------------------------------|--------|-------------------------------------------------------------------|------------------|-----------------|
| TOLERANCES<br>UNLESS OTHERWISE SPECIFIED |        | WILLIAMS ELECTRONIC MFG. CORP.<br>SUBSIDIARY OF THE REGGOLD CORP. |                  |                 |
| FRACTIONS                                | ± 1/64 | 3401 N. CALIFORNIA                                                | CHICAGO 18, ILL. | CORNELIA 7-2840 |
| DECIMALS                                 | ± .008 | NAME SCHEMATIC, DRIVER BOARD                                      |                  |                 |
| HOLER                                    | ± .008 | MATERIAL                                                          | HEAT TREATMENT   | FINISH          |
| ANGULAR                                  | ± .000 | DATE 1-3-77                                                       | APP'D.           | SCALE 16D-7997  |
|                                          |        | QTY                                                               | ASSEMBLE ON      |                 |

SHEET 2 OF 2



**BILL OF MATERIAL**

| QTY    | PART NO.     | DESCRIPTION                | REV |
|--------|--------------|----------------------------|-----|
| EX. 1  | 5743-0248-00 | BARE PCB BOARD             | 1   |
| EX. 2  | 5730-0558-00 | RESISTOR 1/2W 5% 220K 1/4W | 1   |
| EX. 3  | 5730-0557-00 | RESISTOR 1/2W 5% 10K 1/4W  | 1   |
| EX. 4  | 5730-0556-00 | RESISTOR 1/2W 5% 100K 1/4W | 1   |
| EX. 5  | 5730-0555-00 | RESISTOR 1/2W 5% 100K 1/4W | 1   |
| EX. 6  | 5730-0554-00 | RESISTOR 1/2W 5% 100K 1/4W | 1   |
| EX. 7  | 5730-0553-00 | RESISTOR 1/2W 5% 100K 1/4W | 1   |
| EX. 8  | 5730-0552-00 | RESISTOR 1/2W 5% 100K 1/4W | 1   |
| EX. 9  | 5730-0551-00 | RESISTOR 1/2W 5% 100K 1/4W | 1   |
| EX. 10 | 5730-0550-00 | RESISTOR 1/2W 5% 100K 1/4W | 1   |
| EX. 11 | 5730-0549-00 | RESISTOR 1/2W 5% 100K 1/4W | 1   |
| EX. 12 | 5730-0548-00 | RESISTOR 1/2W 5% 100K 1/4W | 1   |
| EX. 13 | 5730-0547-00 | RESISTOR 1/2W 5% 100K 1/4W | 1   |
| EX. 14 | 5730-0546-00 | RESISTOR 1/2W 5% 100K 1/4W | 1   |
| EX. 15 | 5730-0545-00 | RESISTOR 1/2W 5% 100K 1/4W | 1   |
| EX. 16 | 5730-0544-00 | RESISTOR 1/2W 5% 100K 1/4W | 1   |
| EX. 17 | 5730-0543-00 | RESISTOR 1/2W 5% 100K 1/4W | 1   |
| EX. 18 | 5730-0542-00 | RESISTOR 1/2W 5% 100K 1/4W | 1   |
| EX. 19 | 5730-0541-00 | RESISTOR 1/2W 5% 100K 1/4W | 1   |
| EX. 20 | 5730-0540-00 | RESISTOR 1/2W 5% 100K 1/4W | 1   |
| EX. 21 | 5730-0539-00 | RESISTOR 1/2W 5% 100K 1/4W | 1   |
| EX. 22 | 5730-0538-00 | RESISTOR 1/2W 5% 100K 1/4W | 1   |
| EX. 23 | 5730-0537-00 | RESISTOR 1/2W 5% 100K 1/4W | 1   |
| EX. 24 | 5730-0536-00 | RESISTOR 1/2W 5% 100K 1/4W | 1   |
| EX. 25 | 5730-0535-00 | RESISTOR 1/2W 5% 100K 1/4W | 1   |
| EX. 26 | 5730-0534-00 | RESISTOR 1/2W 5% 100K 1/4W | 1   |
| EX. 27 | 5730-0533-00 | RESISTOR 1/2W 5% 100K 1/4W | 1   |
| EX. 28 | 5730-0532-00 | RESISTOR 1/2W 5% 100K 1/4W | 1   |
| EX. 29 | 5730-0531-00 | RESISTOR 1/2W 5% 100K 1/4W | 1   |
| EX. 30 | 5730-0530-00 | RESISTOR 1/2W 5% 100K 1/4W | 1   |
| EX. 31 | 5730-0529-00 | RESISTOR 1/2W 5% 100K 1/4W | 1   |
| EX. 32 | 5730-0528-00 | RESISTOR 1/2W 5% 100K 1/4W | 1   |
| EX. 33 | 5730-0527-00 | RESISTOR 1/2W 5% 100K 1/4W | 1   |
| EX. 34 | 5730-0526-00 | RESISTOR 1/2W 5% 100K 1/4W | 1   |
| EX. 35 | 5730-0525-00 | RESISTOR 1/2W 5% 100K 1/4W | 1   |
| EX. 36 | 5730-0524-00 | RESISTOR 1/2W 5% 100K 1/4W | 1   |
| EX. 37 | 5730-0523-00 | RESISTOR 1/2W 5% 100K 1/4W | 1   |
| EX. 38 | 5730-0522-00 | RESISTOR 1/2W 5% 100K 1/4W | 1   |
| EX. 39 | 5730-0521-00 | RESISTOR 1/2W 5% 100K 1/4W | 1   |
| EX. 40 | 5730-0520-00 | RESISTOR 1/2W 5% 100K 1/4W | 1   |
| EX. 41 | 5730-0519-00 | RESISTOR 1/2W 5% 100K 1/4W | 1   |
| EX. 42 | 5730-0518-00 | RESISTOR 1/2W 5% 100K 1/4W | 1   |
| EX. 43 | 5730-0517-00 | RESISTOR 1/2W 5% 100K 1/4W | 1   |
| EX. 44 | 5730-0516-00 | RESISTOR 1/2W 5% 100K 1/4W | 1   |
| EX. 45 | 5730-0515-00 | RESISTOR 1/2W 5% 100K 1/4W | 1   |
| EX. 46 | 5730-0514-00 | RESISTOR 1/2W 5% 100K 1/4W | 1   |
| EX. 47 | 5730-0513-00 | RESISTOR 1/2W 5% 100K 1/4W | 1   |
| EX. 48 | 5730-0512-00 | RESISTOR 1/2W 5% 100K 1/4W | 1   |
| EX. 49 | 5730-0511-00 | RESISTOR 1/2W 5% 100K 1/4W | 1   |
| EX. 50 | 5730-0510-00 | RESISTOR 1/2W 5% 100K 1/4W | 1   |
| EX. 51 | 5730-0509-00 | RESISTOR 1/2W 5% 100K 1/4W | 1   |
| EX. 52 | 5730-0508-00 | RESISTOR 1/2W 5% 100K 1/4W | 1   |
| EX. 53 | 5730-0507-00 | RESISTOR 1/2W 5% 100K 1/4W | 1   |
| EX. 54 | 5730-0506-00 | RESISTOR 1/2W 5% 100K 1/4W | 1   |
| EX. 55 | 5730-0505-00 | RESISTOR 1/2W 5% 100K 1/4W | 1   |
| EX. 56 | 5730-0504-00 | RESISTOR 1/2W 5% 100K 1/4W | 1   |
| EX. 57 | 5730-0503-00 | RESISTOR 1/2W 5% 100K 1/4W | 1   |
| EX. 58 | 5730-0502-00 | RESISTOR 1/2W 5% 100K 1/4W | 1   |
| EX. 59 | 5730-0501-00 | RESISTOR 1/2W 5% 100K 1/4W | 1   |
| EX. 60 | 5730-0500-00 | RESISTOR 1/2W 5% 100K 1/4W | 1   |



REVISIONS

| NO. | DATE | DESCRIPTION |
|-----|------|-------------|
| 1   |      |             |
| 2   |      |             |
| 3   |      |             |
| 4   |      |             |
| 5   |      |             |
| 6   |      |             |
| 7   |      |             |
| 8   |      |             |
| 9   |      |             |
| 10  |      |             |

REVISION DRAWING: SCHEMATIC 168786-00

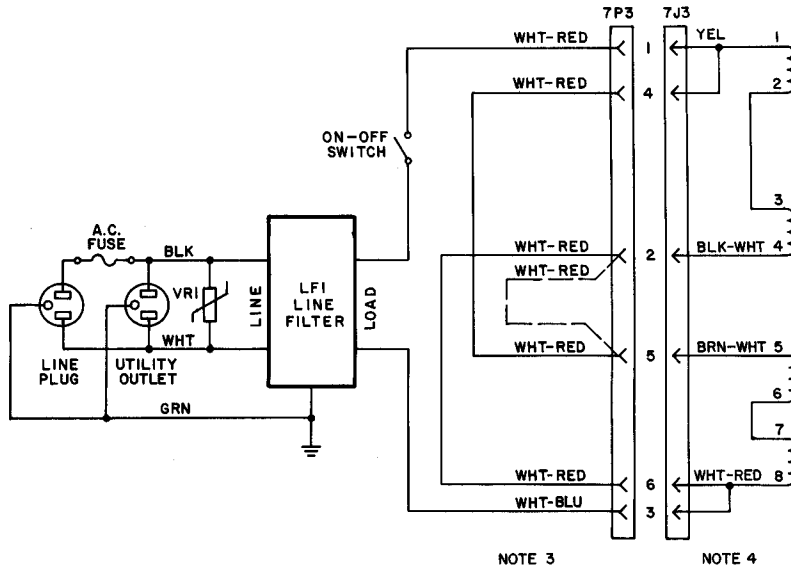
**WILLIAMS ELECTRONICS**  
 1000 W. CALIFORNIA, CHICAGO, ILL. 60641  
 POWER SUPPLY BOARD SUB-ASSEMBLY  
 PART NO. 5730-0558-00  
 REV. 000001-000

- NOTES:
1. HEAT SINK COMPOUND MUST BE APPLIED BETWEEN TRANSISTOR AND HEAT SINK.
  2. FOR BLACKOUT MANUFACTURE X-RAYS WITH SAME FEATURE REMOVE JUMPS (WIRE) AND INSERT RELAY CODE DE-10-1.7
  3. ON CUTTER JUMPS (1.7) AMP. IN TUBULAR ACTION (LAMPERS)
  4. OBSERVE LINE MARKING POLARITY
  5. CAPACITORS CODES AND LOCATION OF TRANSISTORS.
  6. REFERENCE Dwg. 5730-0558-00

REVISION

| NO. | DATE | DESCRIPTION |
|-----|------|-------------|
| 1   |      |             |
| 2   |      |             |
| 3   |      |             |
| 4   |      |             |
| 5   |      |             |
| 6   |      |             |
| 7   |      |             |
| 8   |      |             |
| 9   |      |             |
| 10  |      |             |





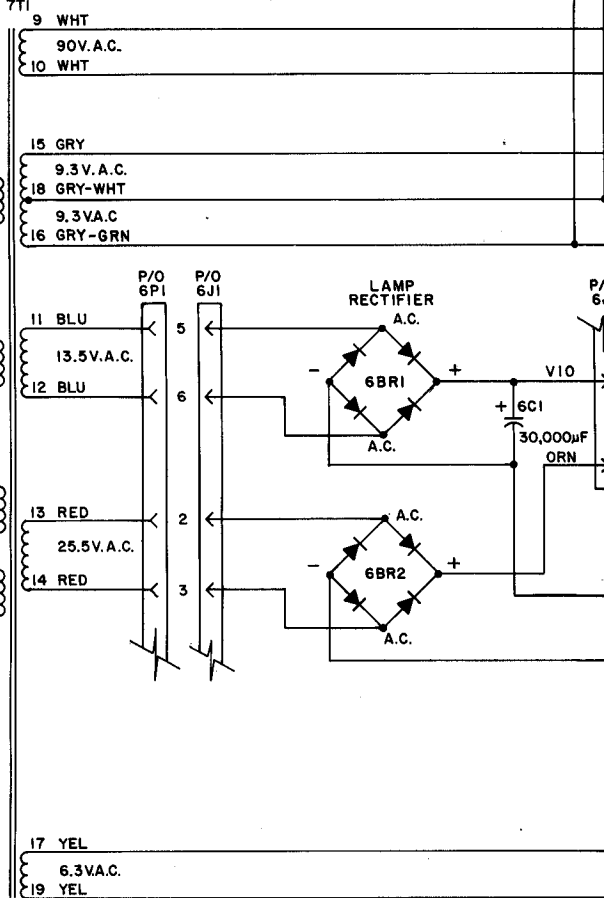
NOTE 3

NOTE 4

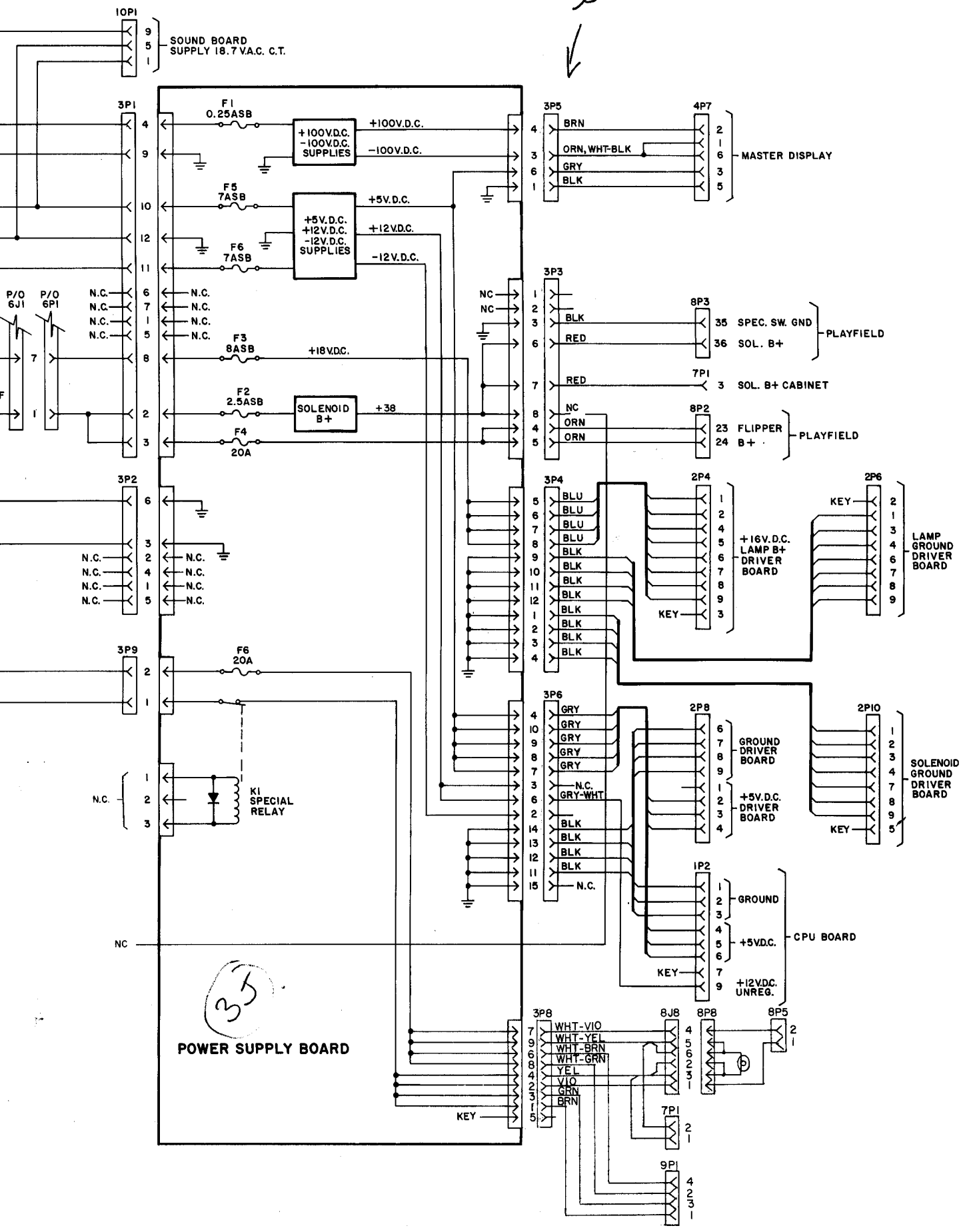
NOTES:

1. FOR 105 OR 117V.A.C., 7.5A FUSE & 130V. VARISTOR #5A-9044 ARE USED.
2. FOR 210 OR 235V.A.C., 4A FUSE & 275V. VARISTOR #5A-9063 ARE USED.
3. JUMPER WIRES ON 6P1 SHOWN WITH SOLID LINES ARE CONNECTED FOR 117V.A.C. OPERATION. ONLY THE ONE SHOWN WITH A DASHED LINE IS CONNECTED FOR 220 V.A.C. OPERATION.
4. FOR LOW-LINE CONDITIONS (105 OR 210V.A.C.) MOVE BLK-WHT WIRE FROM 6T1-4 TO 6T1-3 & MOVE 2 WHT-RED WIRES FROM 6T1-8 TO 6T1-7.

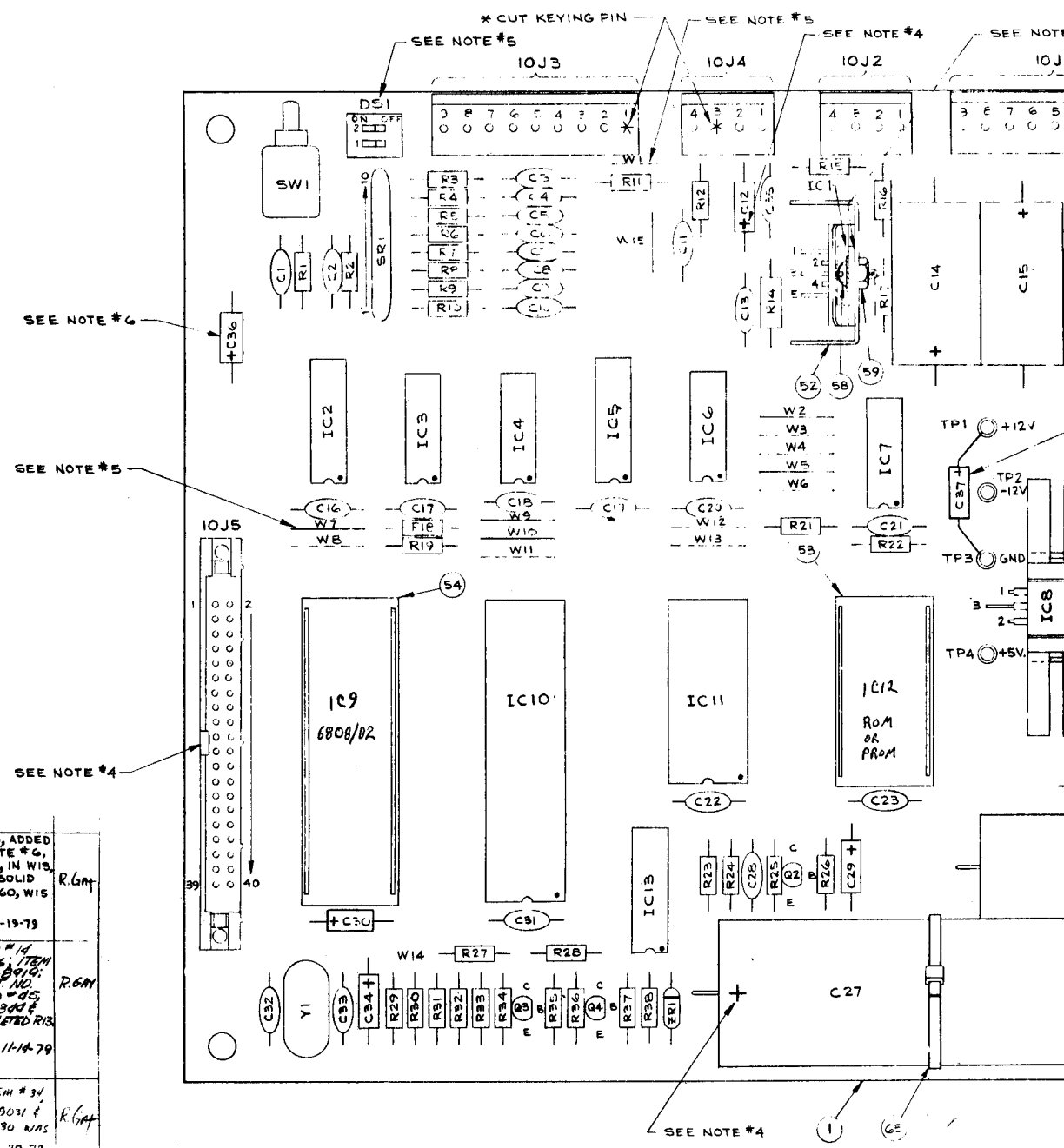
POWER WIRING



35  
↓



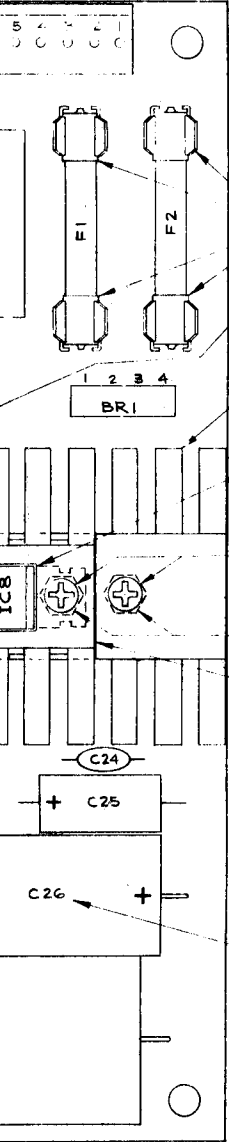
| ITEM NO. | PART NO.  | PART DESIGNATION             | DESCRIPTION                  |
|----------|-----------|------------------------------|------------------------------|
| 58       |           |                              | 6-32 x 3/8" BINDER           |
| 59       |           |                              | 6-32 HEX NUT                 |
| 60       |           | W1, W2, W5, W7, W9, W10, W15 | WIRE JUMPER 21               |
| 61       | 5A-9248   | TP1 THRU TPA                 | TERMINAL # 15                |
| 62       | 5A-9363   | R11                          | RESISTOR, FC, 5 1/2 1/4 WATT |
| 64       | 5A-9562   | SRI                          | RESISTOR, 4.7 10 PIN SIP     |
| 65       | 3A-7520-1 |                              | TIE WRAP                     |



|                 |                                                                                                                                                                       |          |        |
|-----------------|-----------------------------------------------------------------------------------------------------------------------------------------------------------------------|----------|--------|
| E               | REVISED NOTES, ADDED ITEM #45 & NOTE #6, RELOCATED W15, IN W15, DASH LINE WAS SOLID LINE & ITEM #60, W15 WAS W1B E.C.O.                                               | 11-19-79 | R.G.M. |
| D               | DELETED ITEM #14, PT. NO. 2A-9016, ITEM #16, PT. NO. 5A-8910, ITEM #25, PT. NO. 5A-9314, ITEM #45, PT. NO. 5A-9340 & IN ITEM #21, DELETED R13, PTY. WAS B E.C.O. 4764 | 11-14-79 | R.G.M. |
| C               | ADDED C36, ITEM #34, PT. NO. WAS 5A-5031 & R17 WAS 1, & C30 WAS 01 MFD. E.C.O. 4760                                                                                   | 10-29-79 | R.G.M. |
| B               | REMOVED ITEM #62, ADDED W1 & R12, PT. NO. WAS 5A-9340 & ITEM #14, PT. NO. WAS 5A-8910 E.C.O. 4764                                                                     | 10-29-79 | R.G.M. |
| A               | ITEM #14, PT. NO. WAS 5A-9016, ITEM #62, ADDED W1 & R12, PT. NO. WAS 5A-9340 & ITEM #62, ADDED W1 & R12, PT. NO. WAS 5A-9340 E.C.O. 4764                              | 10-29-79 | R.G.M. |
| REVISION LETTER | REVISION                                                                                                                                                              | BY       |        |

| DESCRIPTION      | REQ'D. NO. | ITEM NO. | PART NO. | PART DESIGNATION | DESCRIPTION                 | REQ'D. NO. |
|------------------|------------|----------|----------|------------------|-----------------------------|------------|
| SCREW HEAD SCREW | 3          | 48       | 5A-6314  | F1, F2           | 4 AMP SLOW BLOW FUSE        | 2          |
| ...              | 3          | 49       | 5A-9178  |                  | FUSEHOLDER                  | 4          |
| ...              | 7          | 50       | 5A-9172  |                  | HEAT SINK THERMALLOY #6072B | 1          |
| ...              | 1          | 51       | 5A-9173  |                  | HEAT SINK THERMALLOY #6071B | 1          |
| ...              | 1          | 52       | 5A-9199  |                  | HEAT SINK THERMALLOY #6030  | 1          |
| ...              | 1          | 53       | 5A-9004  |                  | 24 PIN SOCKET               | 1          |
| ...              | 1          | 54       | 5A-8985  |                  | 40 PIN SOCKET               | 1          |
| ...              | 1          | 55       | 5A-9027  | 10J1, 10J3       | 9 PIN MALE CONNECTOR        | 2          |
| ...              | 1          | 56       | 5A-9028  | 10J2, 10J4       | 4 PIN MALE CONNECTOR        | 2          |
| ...              | 1          | 57       | 5A-9349  | 10J5             | 40 PIN RIBBON HEADER        | 1          |

| BILL OF MATERIAL |                      |                                            |                                                                  |            |
|------------------|----------------------|--------------------------------------------|------------------------------------------------------------------|------------|
| ITEM NO.         | PART NO.             | PART DESIGNATION                           | DESCRIPTION                                                      | REQ'D. NO. |
| 1                | 1C-2001-146-3        |                                            | BARE P.C. BOARD                                                  | 1          |
| 2                | 5A-9156              | IC1                                        | TDA2002 V AUDIO AMPLIFIER                                        | 1          |
| 3                | 5A-9012              | IC2                                        | 7442 BCD-DEC DECODER                                             | 1          |
| 4                | 5A-9073              | IC3                                        | 7400 QUAD 2 INPUT NAND                                           | 1          |
| 5                | 5A-8973              | IC4                                        | 7408 QUAD 2 INP. AND GATE                                        | 1          |
| 6                | 5A-9153              | IC5                                        | 4050 BUFFER                                                      | 1          |
| 7                | 5A-9154              | IC6                                        | 4068 8 INPUT NAND GATE                                           | 1          |
| 8                | 5A-8971              | IC7                                        | 14069 HEX INVERTER                                               | 1          |
| 9                | 5A-9157              | IC8                                        | 7805 5 VOLT REG. W/T0220 CASE                                    | 1          |
| 10               | 5A-8972              | IC10                                       | 6821 P.I.A.                                                      | 1          |
| 11               | 5A-9003              | IC11                                       | 6810 RAM                                                         | 1          |
| 12               | 5A-9152              | IC13                                       | 1408 D/A CONVERTER                                               | 1          |
| 13               | 5C-8938              | Q2, Q3, Q4                                 | 2N4401 NPN TRANSISTOR                                            | 3          |
| 14               |                      |                                            |                                                                  |            |
| 15               | 5A-9018              | ZR1                                        | 1N5996 6.8V. ZENER DIODE                                         | 1          |
| 16               |                      |                                            |                                                                  |            |
| 17               | 5A-9158 OR 5A-9357   | BR1                                        | MDA 200/3N253 BRIDGE RECTIFIER                                   | 1          |
| 18               | 5A-9020              | Y1                                         | 3.58 MHZ CRYSTAL                                                 | 1          |
| 19               | 5B-8991              | R1, R18, R19, R21, P22, R27, R31, R31, R32 | RESISTOR, FC, 4.7K OHM 5% 1/4 WATT                               | 9          |
| 20               | 5B-9036              | R2 THRU R10                                | RESISTOR, FC, 100 OHM 10% 1/4 WATT                               | 9          |
| 21               | 5A-8984              | R12, R15, R28, R36, R38                    | RESISTOR, FC, 1K OHM 10% 1/4 WATT                                | 5          |
| 22               | 5A-9181              | R14                                        | RESISTOR, FC, 1 OHM 10% 1/2 WATT                                 | 1          |
| 23               | 5A-9161              | R16                                        | RESISTOR, FC, 2.2 OHM 10% 1/4 WATT                               | 1          |
| 24               | 5A-9361              | R17                                        | RESISTOR, FC, 220 OHM 10% 1/2 WATT                               | 1          |
| 25               |                      |                                            |                                                                  |            |
| 26               | 5B-8985              | R23, R24, R26                              | RESISTOR, FC, 3.3K OHM 10% 1/4 WATT                              | 3          |
| 27               | 5A-9179              | R25                                        | RESISTOR, FC, 3.3M OHM 10% 1/4 WATT                              | 1          |
| 28               | 5A-9359              | R29                                        | RESISTOR, FC, 47K OHM 5% 1/4 WATT                                | 1          |
| 29               | 5B-8817              | R33, R35, R37                              | RESISTOR, FC, 10K OHM 10% 1/4 WATT                               | 3          |
| 30               | 5B-9039              | R34                                        | RESISTOR, FC, 10 OHM 10% 1/4 WATT                                | 1          |
| 31               | 5A-8980              | C1, C16 THRU C25, C31                      | CAPACITOR, CERAMIC, .01 MFD. 50 V. ±20%                          | 11         |
| 32               | 5A-9065              | C2 THRU C10                                | CAPACITOR, CERAMIC, 470 PFD. 50 V. ±20%                          | 9          |
| 33               | 5A-9345              | C11                                        | CAPACITOR, CERAMIC, .001 MFD. 20% 100 V.                         | 1          |
| 34               | 5A-9345              | C12, C30, C36                              | CAPACITOR, ELECTROLYTIC 1 MFD. 6.3 V. -10/+50%                   | 3          |
| 35               | 5A-8996              | C13, C24, C35                              | CAPACITOR, CERAMIC, .1 MFD. 50 V. ±20%                           | 3          |
| 36               | 5A-9165 OR 5A-9165-1 | C14                                        | CAPACITOR, ELECTROLYTIC, 800 MFD. 16 V. OR 1,000 MFD. 15 V. ±20% | 1          |
| 37               | 5A-9164 OR 5A-9164-1 | C15                                        | CAPACITOR, ELECTROLYTIC, 500 MFD. 15 V. OR 470 MFD. 25 V. ±20%   | 1          |
| 38               | 5A-8986              | C25                                        | CAPACITOR, ELECTROLYTIC, 100 MFD. 10 V. ±20%                     | 1          |
| 39               | 5A-8893              | C26                                        | CAPACITOR, ELECTROLYTIC, 1,000 MFD. 25 V. ±20%                   | 1          |
| 40               | 5A-9046              | C27                                        | CAPACITOR, ELECTROLYTIC, 12,000 MFD. 16 V. ±20%                  | 1          |
| 41               | 5A-9180              | C28                                        | CAPACITOR, CERAMIC, 47 PFD. 1K V. ±20%                           | 1          |
| 42               | 5A-9343              | C29                                        | CAPACITOR, ELECTROLYTIC, 10 MFD. 25 V. LOW LEAK                  | 1          |
| 43               | 5A-9169              | C32, C33                                   | CAPACITOR, CERAMIC DISC, 27 PFD. 1K V. ±10%                      | 2          |
| 44               | 5A-9163              | C34                                        | CAPACITOR, TANTALUM, 2.2 MFD. 15 V. ±20%                         | 1          |
| 45               | 5A-9031              | C37                                        | CAPACITOR, TANTALUM, 1 MFD. 25 V. ±20%                           | 1          |
| 46               | 5A-9024              | SW1                                        | MOMENTARY SWITCH SPDT                                            | 1          |
| 47               | 5A-9330              | DS1                                        | 2 STD. DIP SWITCH                                                | 1          |

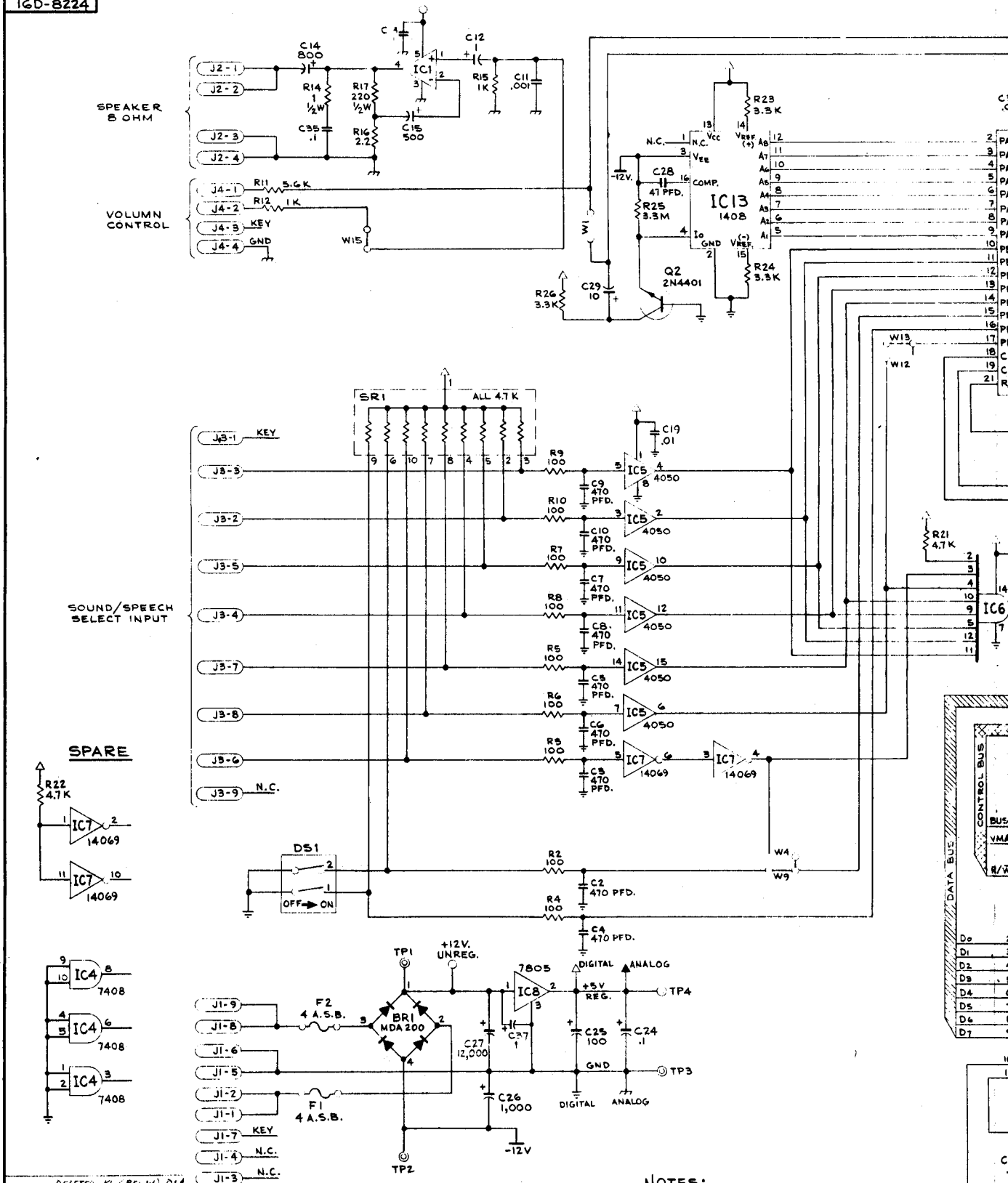


**NOTES:**

- USE THERMAL COMPOUND BETWEEN ICs AND HEAT SINK.
- CAUTION: AVOID STATIC DISCHARGE DAMAGE TO MOS LOGIC.
- SYMBOLS SHOWN ON COMPONENTS ARE FOR REFERENCE ONLY. DO NOT SCREEN OR STAMP.
- OBSERVE INDEX MARK OF ALL INTEGRATED CIRCUITS, DIODES, DI, D2, AND ZR1.
- CAPACITORS C12, C14, C15, C25, C27, C29, C27.
- CONNECTORS 10J1, 10J2, 10J3, 10J4, 10J5.
- POSITION OF TRANSISTORS Q1, Q2, Q3, Q4.
- DS1 - SELECTS SOUNDS/NOTES
- W1 - SELECTS SPEECH/NO SPEECH (W9/W1)
- W2 - SPEECH MODULE STATUS
- IN - SPEECH MODULE NOT ATTACHED
- OUT - SPEECH MODULE ATTACHED
- W14 - MPU INTERNAL RAM ENABLE
- W7 & W8 - MEMORY MAP CONTROL
- W12 & W13 - PB7 STATUS CONTROL (W13 NEVER USED)
- W4 & W9 - PB5 STATUS CONTROL
6. SOLDERED ON TOP OF BOARD
- INSTALL THIS: JUMPERS FOR FOLLOWING GAMES:  
 W15, W8, W12, W4, W1, W3, W6, W11 FOR:  
 WORLD CUP  
 DISCO FEVER  
 CONTACT  
 POKERNO  
 PHOENIX  
 ARISTOCRAT SHUFFLE  
 POMPILI SHUFFLE  
 KING TUT SHUFFLE  
 TAURUS SHUFFLE  
 SOUND ROM 1
- W15, W8, W12, W4, W1, W2, W5, W10, FOR:  
 FLASH  
 STALLAR WARS  
 TRI ZONE  
 TIME WARP  
 SOUND ROM 1  
 5A-9198
- W7, W15, W9, W1, (SEE NOTE #5) W2, W5, W10 FOR:  
 GORGAR  
 SOUND ROM 2 - JT-4960
- IC12 SELECTION STRAPPING:  
 (2K x 8)      (1K x 4)      (512 x 8)  
 W2      W3      W3  
 W1 IN      W2 IN      W6 IN  
 W1      W3      W11

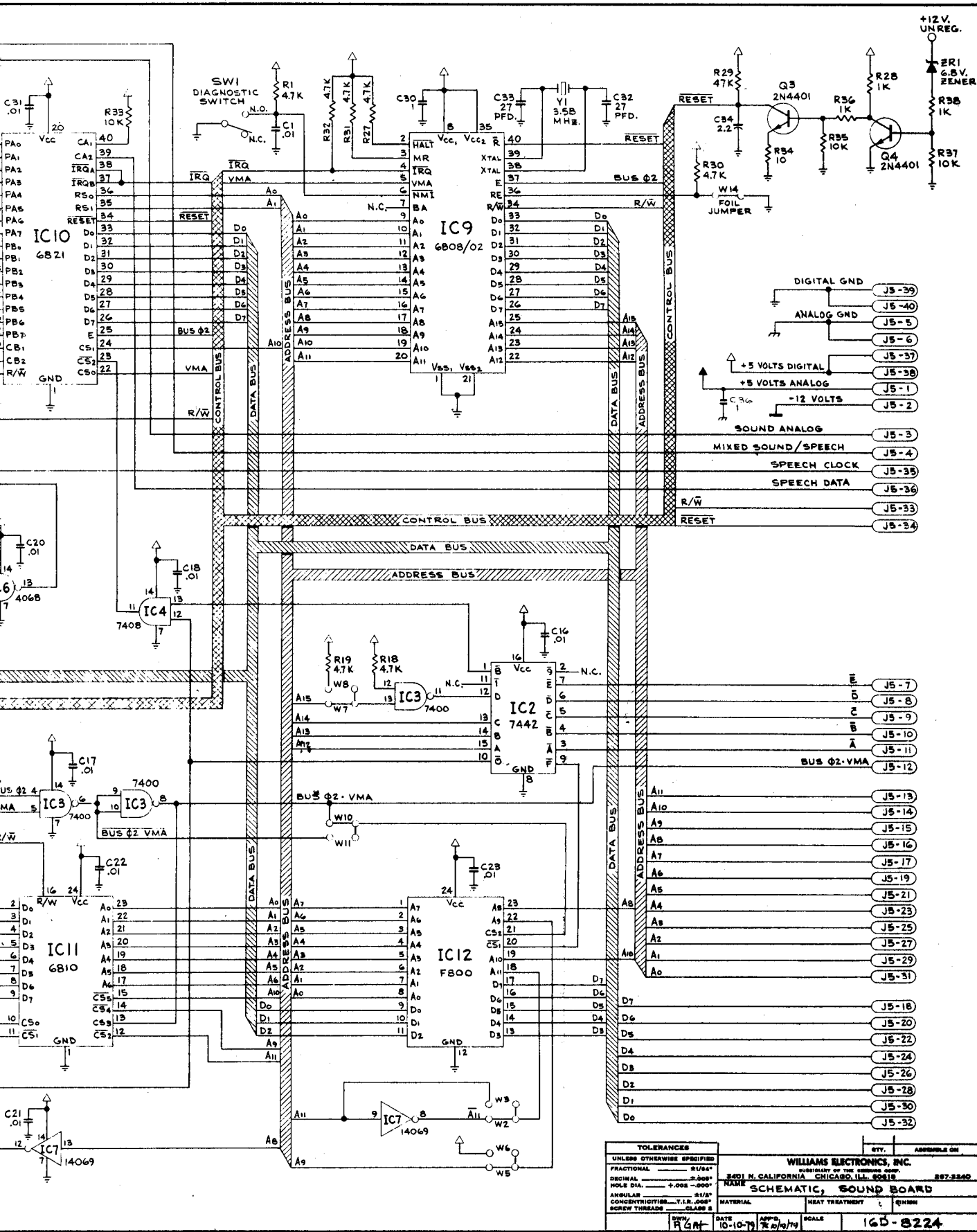
|                                                                                                                  |               |                       |             |
|------------------------------------------------------------------------------------------------------------------|---------------|-----------------------|-------------|
| TOLERANCES UNLESS OTHERWISE SPECIFIED                                                                            |               | QTY.                  | ASSEMBLE ON |
| FRACTIONAL                                                                                                       | 21/64"        |                       |             |
| DECIMAL                                                                                                          | ±.005"        |                       |             |
| HOLE DIA.                                                                                                        | ±.008 - .001" |                       |             |
| ANGULAR                                                                                                          | ±15°          |                       |             |
| CONCENTRICITY                                                                                                    | ±.008"        |                       |             |
| SCREW THREADS                                                                                                    | CLASS 2       |                       |             |
| WILLIAMS ELECTRONICS, INC.<br>SUBSIDIARY OF THE REGGOLD GROUP<br>3801 N. CALIFORNIA CHICAGO, ILL. 60618 367-2240 |               | NAME                  |             |
|                                                                                                                  |               | SOUND BOARD SUB-ASSEM |             |
| MATERIAL                                                                                                         |               | HEAT TREATMENT        | FINISH      |
| DATE 9-23-79                                                                                                     |               | APPR. 2/10/79         | SCALE 2:1   |
|                                                                                                                  |               | D-8225                |             |

IGD-8224



|                 |                                                                                                 |    |                 |          |
|-----------------|-------------------------------------------------------------------------------------------------|----|-----------------|----------|
| C               | DELETED R1 (RES.), D18, D2 (IN 1148), 51 (COMM), R19 (10 & R20 (12K), 10000, W15, R.G. 11-17-79 |    |                 |          |
| E               | ADDED R26, C20 WAS, 0.1 MFD, 11-23-79                                                           |    |                 |          |
| A               | 10/23/79                                                                                        |    |                 |          |
|                 | C12, C14, C15, POLARITY REVERSE                                                                 |    |                 |          |
| REVISION LETTER | REVISION                                                                                        | BY | REVISION LETTER | REVISION |
|                 |                                                                                                 |    |                 |          |

- NOTES:**
1. ALL RESISTORS, 1/4 WATT UNLESS OTHERWISE NOTED.
  2. ALL CAPACITORS, MFD. UNLESS OTHERWISE NOTED.



| TOLERANCES                                                                                                    |                | QTY.                                  | APPROX. ON |
|---------------------------------------------------------------------------------------------------------------|----------------|---------------------------------------|------------|
| UNLESS OTHERWISE SPECIFIED                                                                                    |                |                                       |            |
| FRACTIONAL                                                                                                    | ±0.004"        |                                       |            |
| DECIMAL                                                                                                       | ±0.008"        |                                       |            |
| HOLE DIA.                                                                                                     | +0.008 -0.000" |                                       |            |
| ANGULAR                                                                                                       | ±0.1°          |                                       |            |
| CONCENTRICITY                                                                                                 | ±0.002"        |                                       |            |
| SCREW THREADS                                                                                                 | CLASS 2        |                                       |            |
| WILLIAMS ELECTRONICS, INC.<br>DIVISION OF THE RICHCO GROUP<br>8401 N. CALIFORNIA CHICAGO, ILL. 60618 807-2840 |                | NAME<br><b>SCHEMATIC, SOUND BOARD</b> |            |
| MATERIAL                                                                                                      | HEAT TREATMENT | Q/NSM                                 |            |
| DATE                                                                                                          | SCALE          | 165-8224                              |            |

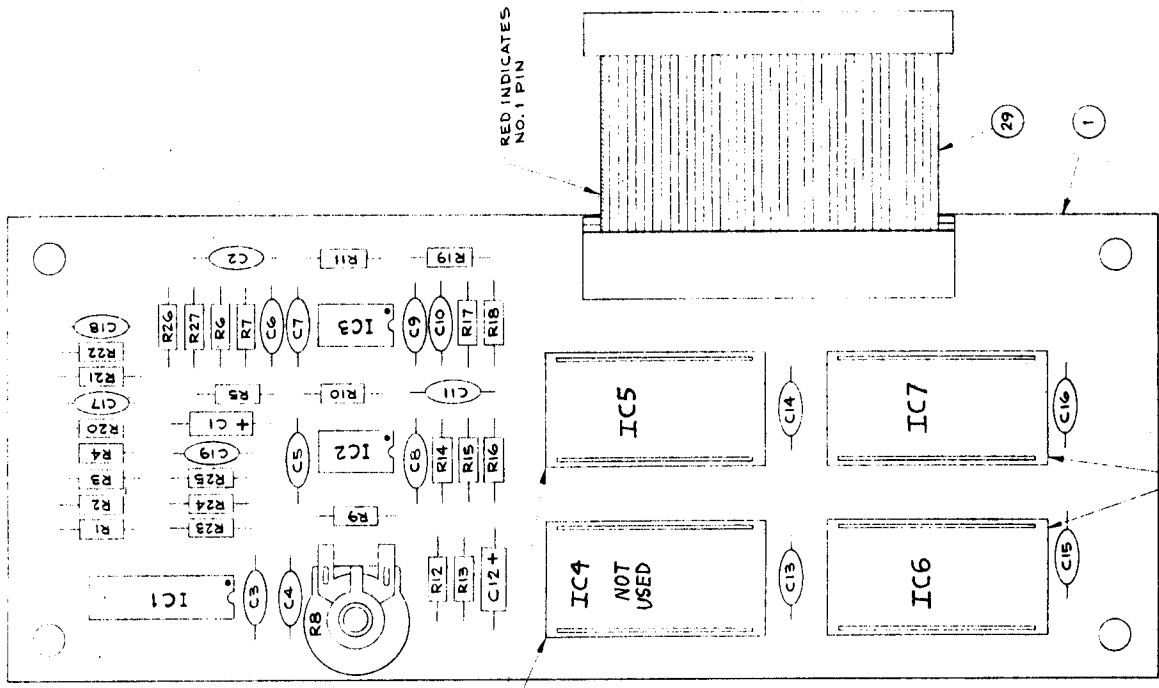
Sound Board Logic Diagram 17



FIG. COMP. REV. 1-24-68  
**C-8225**

**BILL OF MATERIAL**

| ITEM NO. | PART NO.      | PART DESIGNATION                     | DESCRIPTION                                           | REQD. NO. |
|----------|---------------|--------------------------------------|-------------------------------------------------------|-----------|
| 1        | IC-2001-148-2 |                                      | BARE P.C. BOARD                                       | 1         |
| 2        | 5A-9334       | IC1                                  | 341T CONTINUOUSLY VARIABLE SLOPE DELTA MODULATOR      | 1         |
| 3        | 5A-9321       | IC2, IC3                             | 1458 DUAL OP-AMP                                      | 2         |
| 4        | 5A-8992       | R1, R4, R22, R23                     | RESISTOR, FC, 560 OHM 10% 1/4 WATT                    | 4         |
| 5        | 5A-8776       | R2                                   | RESISTOR, FC, 1/4 WATT                                | 1         |
| 6        | 5A-8983       | R3                                   | RESISTOR, FC, 3.3 K OHM 10% 1/4 WATT                  | 1         |
| 7        | 5B-8817       | R5, R16                              | RESISTOR, FC, 10K OHM 10% 1/4 WATT                    | 2         |
| 8        | 5A-8773       | R6                                   | RESISTOR, FC, 1/4 WATT                                | 1         |
| 9        | 5A-9353       | R7                                   | RESISTOR, FC, 1/4 WATT                                | 1         |
| 10       | 5A-9324       | R9, R10, R11, R15, R18, R19          | RESISTOR, FC, 27K OHM 10% 1/4 WATT                    | 6         |
| 11       | 5B-8997       | R12, R13                             | RESISTOR, FC, 1/4 WATT                                | 2         |
| 12       | 5A-8772       | R14, R17                             | RESISTOR, FC, 1/4 WATT                                | 2         |
| 13       | 5A-9314       | R20                                  | RESISTOR, FC, 1.2 K OHM 10% 1/4 WATT                  | 1         |
| 14       | 5A-9331       | R21                                  | RESISTOR, FC, 1/4 WATT                                | 1         |
| 15       | 5A-9185       | R8                                   | POTENTIOMETER, 5K OHM                                 | 1         |
| 16       | 5A-9218       | R24                                  | RESISTOR, FC, 2.2 M. OHM 10% 1/4 WATT                 | 1         |
| 17       | 5A-8984       | R25, R27                             | RESISTOR, FC, 1K OHM 10% 1/4 WATT                     | 1         |
| 18       | 5A-9356       | R26                                  | RESISTOR, FC, 820 OHM 5% 1/4 WATT                     | 1         |
| 19       | 5A-9031       | C1                                   | CAPACITOR, TANTALUM, 1 MFD.-20% 25 VOLT               | 1         |
| 20       | 5A-8980       | C2, C3, C5, C7, C8, C9, C13 THRU C16 | CAPACITOR, CERAMIC, .01 MFD. +80% -20% 50 VOLT        | 10        |
| 21       | 5A-9030       | C4                                   | CAPACITOR, CERAMIC, .047 MFD. 20% 50 VOLT             | 1         |
| 22       | 5A-9347       | C6                                   | CAPACITOR, CERAMIC, 1800 PFD. 5% 50 VOLT              | 1         |
| 23       | 5A-9346       | C10                                  | CAPACITOR, CERAMIC, 1200 PFD. 5% 50 VOLT              | 1         |
| 24       | 5A-9348       | C11                                  | CAPACITOR, CERAMIC, 4700 PFD. 5% 50 VOLT              | 1         |
| 25       | 5A-9343       | C12                                  | CAPACITOR, ELECTROLYTIC, 10 MFD. 20% 25 VOLT LOW LEAK | 1         |
| 26       | 5A-9263       | C17                                  | CAPACITOR, .33 MFD. 20% 200 VOLT                      | 1         |
| 27       | 5A-8996       | C18, C19                             | CAPACITOR, CERAMIC, .1 MFD. 20% 25 VOLT               | 2         |
| 28       | 5A-9004       | J1                                   | 24 PIN SOCKET                                         | 4         |
| 29       | 5A-9354       |                                      | RIBBON CABLE ASSEM                                    | 1         |



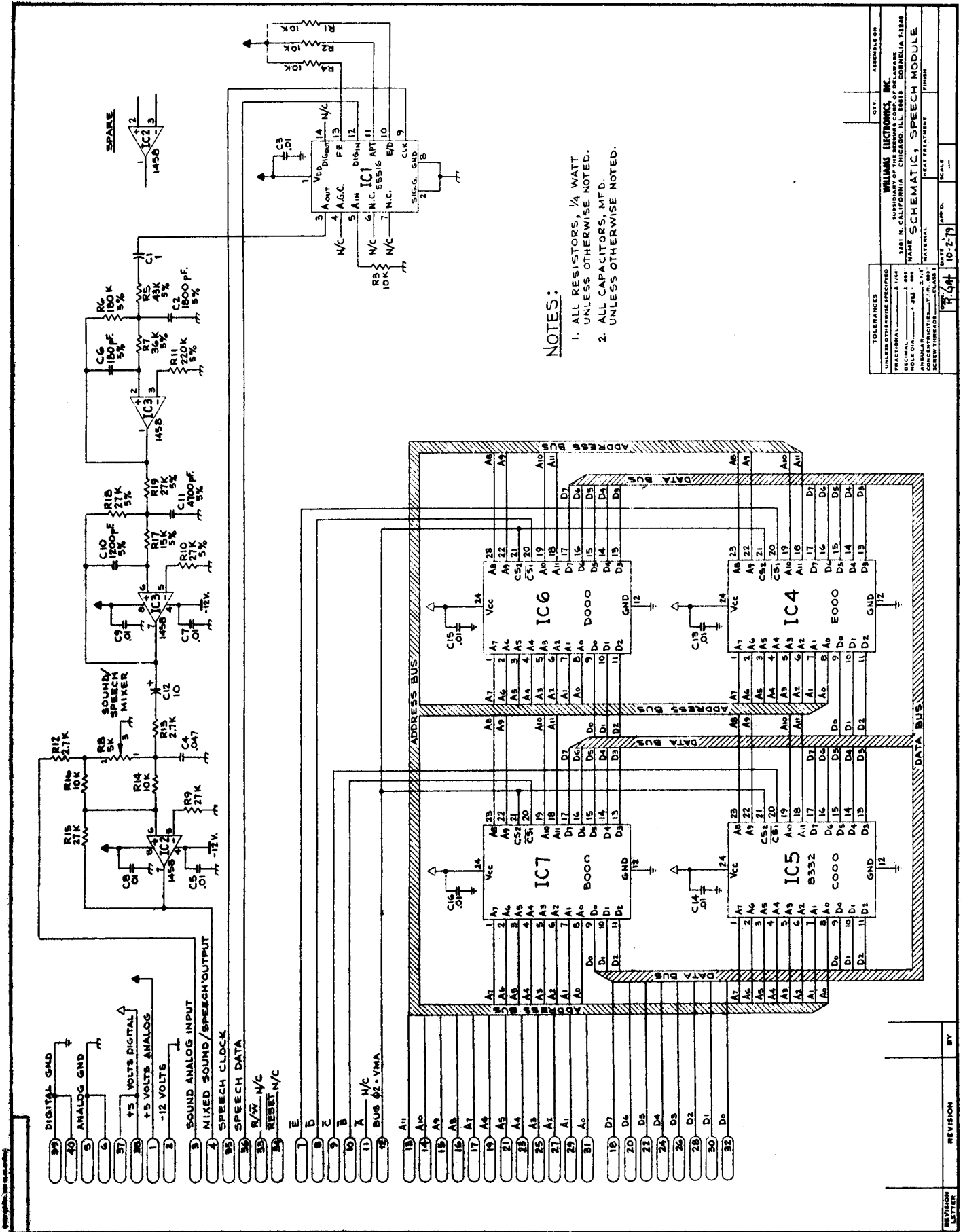
**WILLIAMS ELECTRONICS INC.**  
 SUBSIDIARY OF THE REMARK COMPANY OF DELAWARE  
 3811 N. CALIFORNIA CHICAGO, ILL. 60618 CORNELLIA 7-3289

**NAME SPEECH MODULE ASSEMBLY**

TOLERANCES UNLESS OTHERWISE SPECIFIED:  
 DIMENSIONS .0005" - .010" ±.0005"  
 DIMENSIONS .010" - .030" ±.0010"  
 DIMENSIONS .030" - .060" ±.0015"  
 DIMENSIONS .060" - .120" ±.0020"  
 DIMENSIONS .120" - .250" ±.0030"  
 DIMENSIONS .250" - .500" ±.0050"  
 DIMENSIONS .500" - 1.000" ±.0075"  
 DIMENSIONS 1.000" - 2.000" ±.0100"  
 DIMENSIONS 2.000" - 5.000" ±.0150"  
 DIMENSIONS 5.000" - 10.000" ±.0200"  
 DIMENSIONS 10.000" - 25.000" ±.0300"  
 DIMENSIONS 25.000" - 50.000" ±.0400"  
 DIMENSIONS 50.000" - 100.000" ±.0500"  
 DIMENSIONS 100.000" - 250.000" ±.0750"  
 DIMENSIONS 250.000" - 500.000" ±.0100"  
 DIMENSIONS 500.000" - 1000.000" ±.0150"

DATE: 9-28-74  
 REV: 21  
 C-8225

| REVISION LETTER | REVISION | BY |
|-----------------|----------|----|
|                 |          |    |

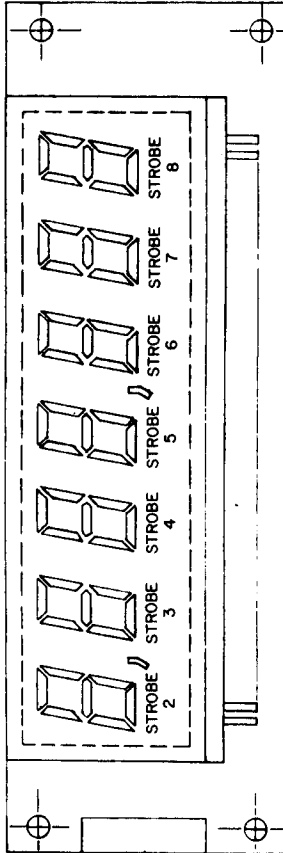


**NOTES:**

1. ALL RESISTORS, 1/4 WATT UNLESS OTHERWISE NOTED.
2. ALL CAPACITORS, MFD. UNLESS OTHERWISE NOTED.

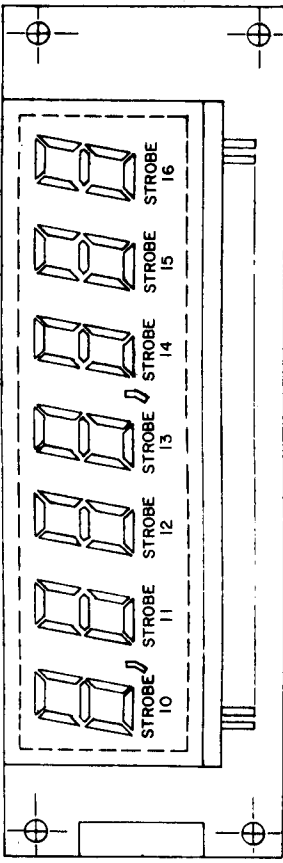
|                                               |        |             |         |
|-----------------------------------------------|--------|-------------|---------|
| TOLERANCES UNLESS OTHERWISE SPECIFIED         |        | ASSEMBLY ON |         |
| FRACTIONAL                                    | ± 1/4% | DATE        | 10-2-79 |
| DECIMAL                                       | ± .001 | BY          |         |
| HOLE DIA.                                     | ± .001 | REVISION    |         |
| SCREW THREADS                                 | ± .001 | SCALE       |         |
| MATERIAL                                      |        | SCALE       |         |
| CONCENTRICITY ± .001                          |        | SCALE       |         |
| SURFACE FINISH                                |        | SCALE       |         |
| WILLIAMS ELECTRONICS INC.                     |        | SCALE       |         |
| SUBSIDIARY OF THE BURNING COMPANY OF ILLINOIS |        | SCALE       |         |
| 300 N. CALIFORNIA CHICAGO, ILL. 60610         |        | SCALE       |         |
| PART NO. 8228-001                             |        | SCALE       |         |
| TITLE: SCHEMATIC, SPEECH MODULE               |        | SCALE       |         |

PLAYERS #1 & #3



5J1  
5J3

PLAYERS #2 & #4



5J2  
5J4

**4J1/5J1 (PLAYER 1)  
4J3/5J3 (PLAYER 3)**

- 1 100,000's
- 2 -100V KEEP ALIVE
- 3 1,000,000's
- 4 f SEGMENT
- 5 N/C
- 6 g SEGMENT
- 7 +100V (N/C)
- 8 e SEGMENT
- 9 10,000's
- 10 d SEGMENT
- 11 1,000's
- 12 +100V KEEP ALIVE
- 13 100's
- 14 COMMA
- 15 10's
- 16 c SEGMENT
- 17 N/C
- 18 b SEGMENT
- 19 UNITS
- 20 a SEGMENT

**4J2/5J2 (PLAYER 2)  
4J4/5J4 (PLAYER 4)**

- 1 100,000's
- 2 -100V KEEP ALIVE
- 3 1,000,000's
- 4 f' SEGMENT
- 5 N/C
- 6 g' SEGMENT
- 7 +100V (N/C)
- 8 e' SEGMENT
- 9 10,000's
- 10 d' SEGMENT
- 11 1,000's
- 12 +100V KEEP ALIVE
- 13 100's
- 14 COMMA
- 15 10's
- 16 c' SEGMENT
- 17 N/C
- 18 b' SEGMENT
- 19 UNITS
- 20 a' SEGMENT

**4J8/5J5 (CREDIT/MATCH)**

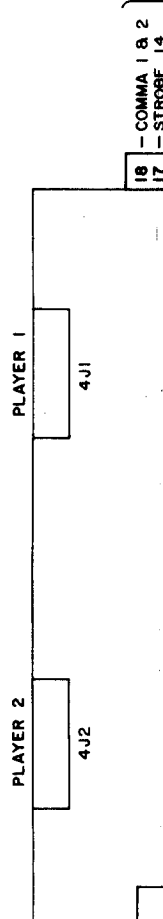
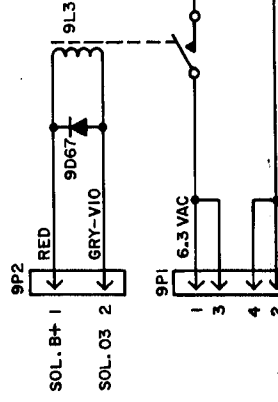
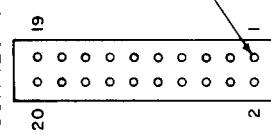
- 1 f' Segment (Credit)
- 2 -100V Keep Alive
- 3 e' Segment
- 4 g' Segment
- 5 c' Segment
- 6 d' Segment
- 7 b' Segment
- 8 10's
- 9 Units
- 10 a' Segment
- 11 e Segment
- 12 f Segment
- 13 10's
- 14 d Segment
- 15 +100V Keep Alive
- 16 c Segment
- 17 g Segment
- 18 b Segment
- 19 Units
- 20 a Segment

**DETAIL A**

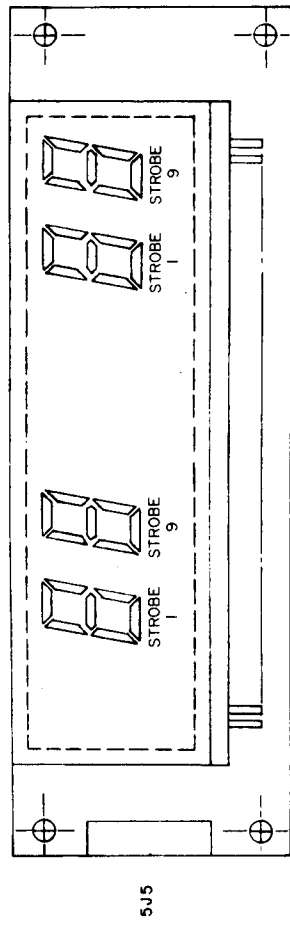
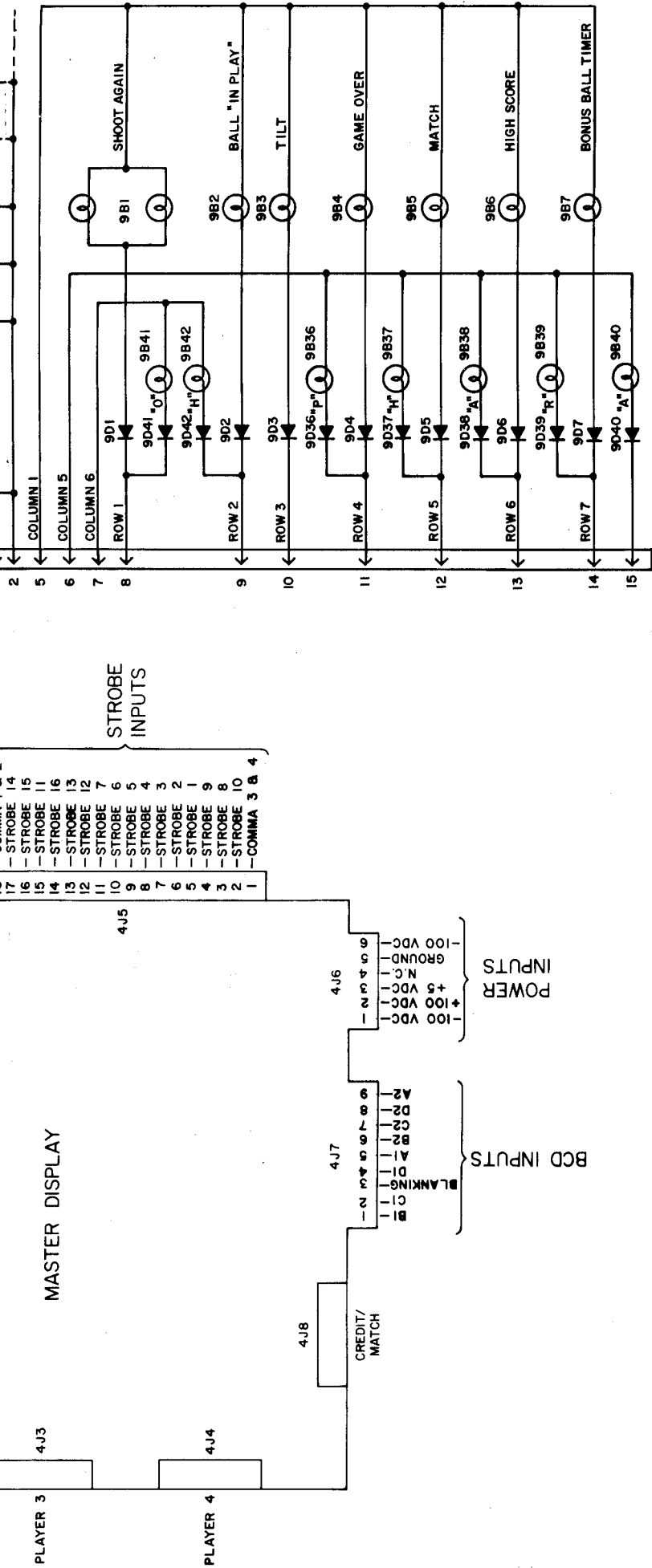
4J1 - 4J4, 4J8

5J1 - 5J5

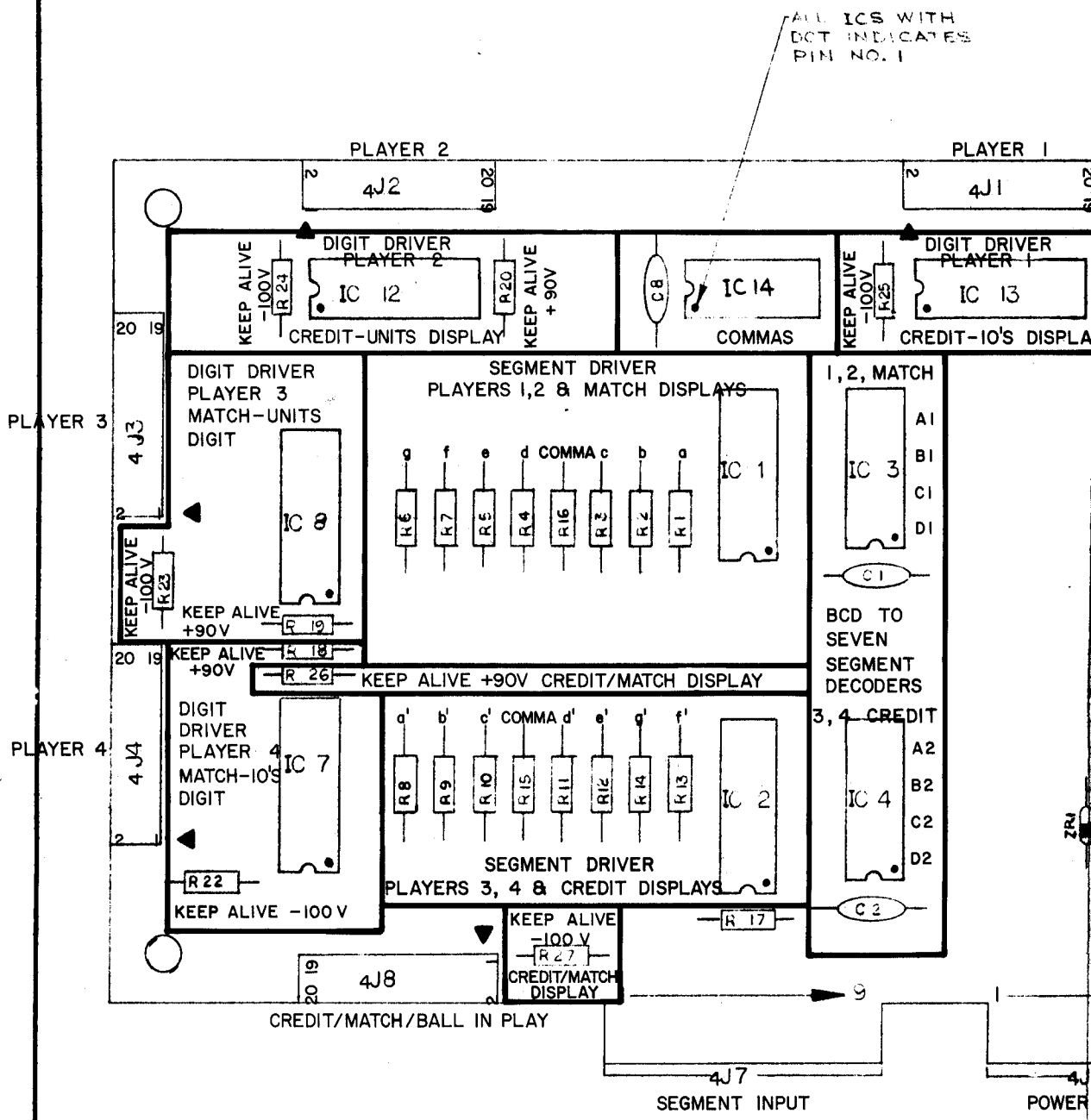
CONNECTORS



18 - COMMA 1 & 2  
17 - STROBE 14



Insert Board Wiring Diagram 19

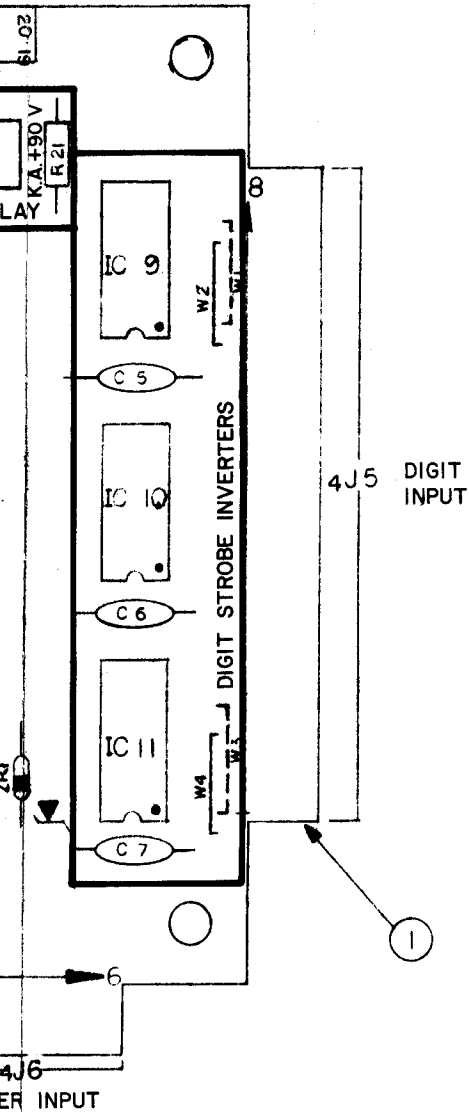


| REVISION LETTER | REVISION | BY |
|-----------------|----------|----|
|                 |          |    |
|                 |          |    |

# BILL OF MATERIAL

| ITEM NO. | PART NO.     | PART DESIGNATION  | DESCRIPTION                                              | REQ'D U.O. |
|----------|--------------|-------------------|----------------------------------------------------------|------------|
| 1        | IC-200-152-B |                   | BARE P.C. BOARD                                          | 1          |
| 2        | 5A-8971      | IC 9, IC10, IC11  | MC14069 HEX. INVERTER                                    | 3          |
| 3        | 5A-8970      | IC3, IC4          | MC14543 BCD TO SEVEN SEGMENT LATCH/DECODER/DRIVER        | 2          |
| 4        | 5A-8969      | IC1, IC2          | UDN-7180 GAS DISCHARGE DISPLAY SEGMENT DRIVER            | 2          |
| 5        | 5A-8968      | IC7 IC8 IC12 IC13 | UDN-6184A OR UDN-6185A GAS DISCHARGE DISPLAY SEGMENT DR. | 4          |
| 6        |              | IC14              | MC14081 QUAD 2-INPUT AND GATE                            | 1          |
| 7        | 5B-8981      | R1-R14            | RESISTOR, FC, 10K OHM 10% 1/2 WATT                       | 14         |
| 8        | 5A-9135      | 2R1               | IN4740A ZENER DIODE 10V, 5% 1W                           | 1          |
| 9        | 5A-8980      | C1, C2 C5 THRU C8 | CAPACITOR CERAMIC, 01 MFD, 50V                           | 6          |
| 10       |              | W2, W4            | JUMPER *22 GA SOLID WIRE                                 | 2          |
| 11       | 5A-9086      | R17               | RESISTOR, FC, 6.8K OHM 10% 1/4 WATT                      | 1          |
| 12       | 5B-8982      | R18 THUR R27      | RESISTOR, FC, 3 MEG. OHM 10% 1/4 WATT                    | 10         |
| 13       |              | J8, J1 THUR J4    | 20 PIN RIBBON HEADER                                     | 5          |
| 14       |              | R15, R16          | RESISTOR, 15K OHM, 10% 1/2 WATT                          | 2          |

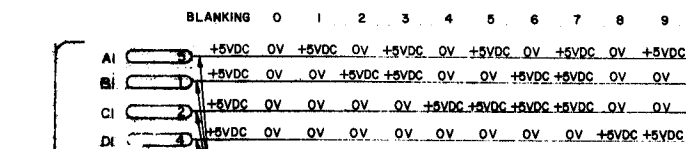
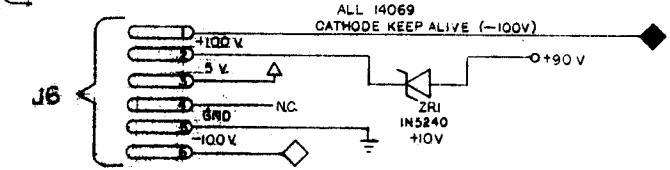
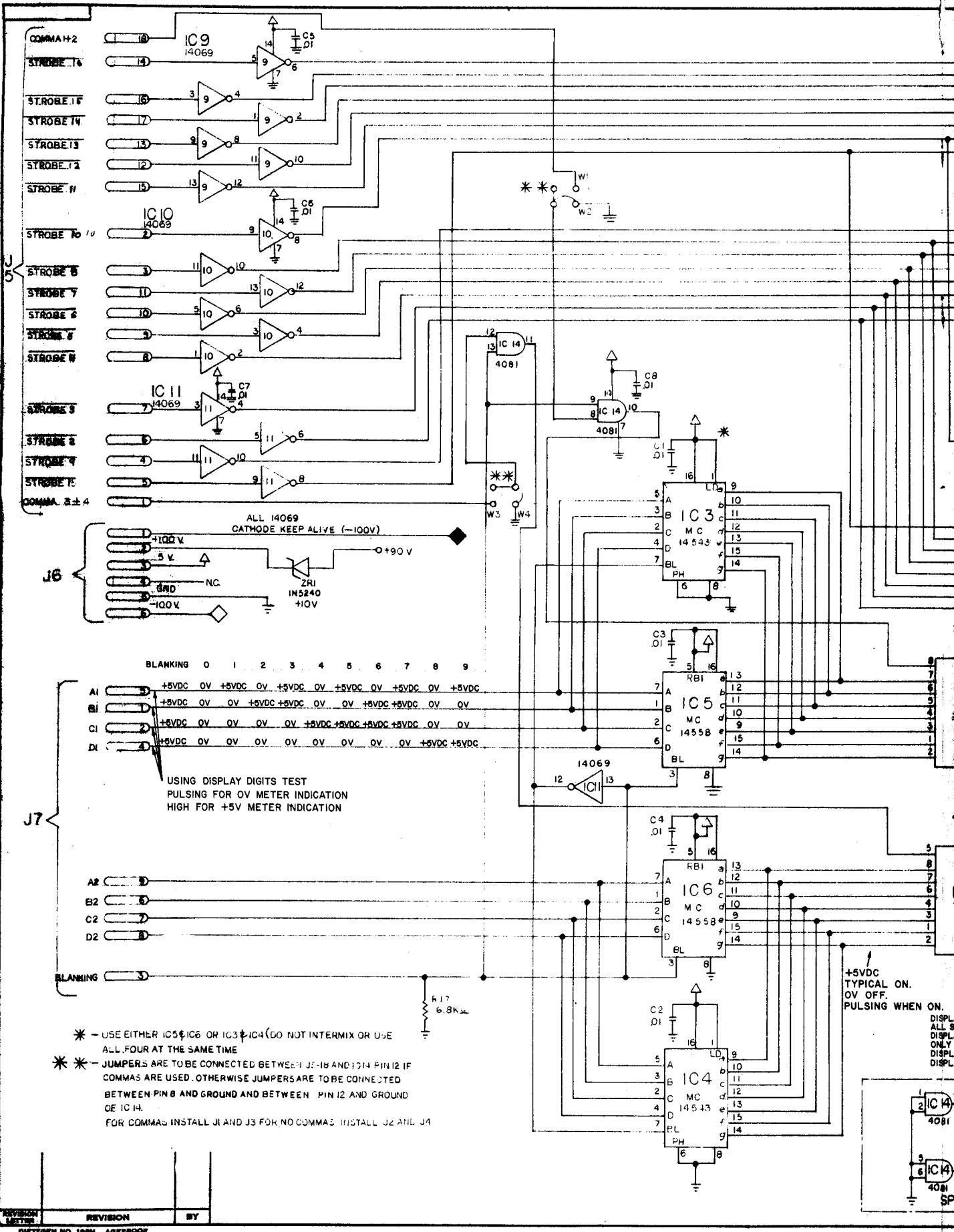
6115 126



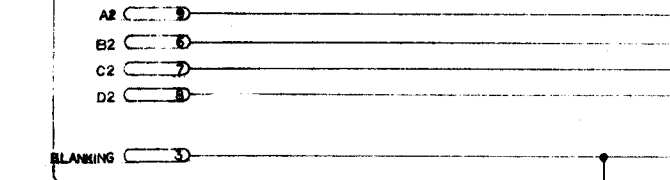
### DIGIT CROSS REFERENCE

| DIGIT          | 7-SEGMENT DECODER/DRIVER | STROBE (DRIVER) |
|----------------|--------------------------|-----------------|
| Credit 10's    | IC4/IC2                  | 1 (IC13)        |
| Credit Units   | IC4/IC2                  | 9 (IC12)        |
| Match 10's     | IC3/IC1                  | 1 (IC7)         |
| Match Units    | IC3/IC1                  | 9 (IC8)         |
| #1 1,000,000   | IC3/IC1                  | 2 (IC13)        |
| #1 100,000's   | IC3/IC1                  | 3 (IC13)        |
| #1 10,000's    | IC3/IC1                  | 4 (IC13)        |
| #1 1,000's     | IC3/IC1                  | 5 (IC13)        |
| #1 100's       | IC3/IC1                  | 6 (IC13)        |
| #1 10's        | IC3/IC1                  | 7 (IC13)        |
| #1 Units       | IC3/IC1                  | 8 (IC13)        |
| #2 1,000,000's | IC3/IC1                  | 10 (IC12)       |
| #2 100,000's   | IC3/IC1                  | 11 (IC12)       |
| #2 10,000's    | IC3/IC1                  | 12 (IC12)       |
| #2 1,000's     | IC3/IC1                  | 13 (IC12)       |
| #2 100's       | IC3/IC1                  | 14 (IC12)       |
| #2 10's        | IC3/IC1                  | 15 (IC12)       |
| #2 Units       | IC3/IC1                  | 16 (IC12)       |
| #3 1,000,000's | IC4/IC2                  | 2 (IC8)         |
| #3 100,000's   | IC4/IC2                  | 3 (IC8)         |
| #3 10,000's    | IC4/IC2                  | 4 (IC8)         |
| #3 1,000's     | IC4/IC2                  | 5 (IC8)         |
| #3 100's       | IC4/IC2                  | 6 (IC8)         |
| #3 10's        | IC4/IC2                  | 7 (IC8)         |
| #3 Units       | IC4/IC2                  | 8 (IC8)         |
| #4 1,000,000's | IC4/IC2                  | 10 (IC7)        |
| #4 100,000's   | IC4/IC2                  | 11 (IC7)        |
| #4 10,000's    | IC4/IC2                  | 12 (IC7)        |
| #4 1,000's     | IC4/IC2                  | 13 (IC7)        |
| #4 100's       | IC4/IC2                  | 14 (IC7)        |
| #4 10's        | IC4/IC2                  | 15 (IC7)        |
| #4 Units       | IC4/IC2                  | 16 (IC7)        |
| #1 Comma       | -/IC1                    | 2,5 (IC13)      |
| #2 Comma       | -/IC2                    | 10,13 (IC12)    |
| #3 Comma       | -/IC1                    | 2,5 (IC8)       |
| #4 Comma       | -/IC2                    | 10,13 (IC7)     |

|                                                        |               |                |          |             |  |
|--------------------------------------------------------|---------------|----------------|----------|-------------|--|
| TOLERANCES                                             |               | QTY.           |          | ASSEMBLE ON |  |
| UNLESS OTHERWISE SPECIFIED                             |               |                |          |             |  |
| FRACTIONAL                                             | 2 1/64"       |                |          |             |  |
| DECIMAL                                                | 2 .005"       |                |          |             |  |
| HOLE DIA.                                              | +.002 - .000" |                |          |             |  |
| ANGULAR                                                | ± 1/2°        |                |          |             |  |
| CONCENTRICITIES                                        | T.I.R. .003"  |                |          |             |  |
| SCREW THREADS                                          | CLASS 2       |                |          |             |  |
| <b>WILLIAMS ELECTRONICS, INC.</b>                      |               |                |          |             |  |
| SUBSIDIARY OF THE SEEBURG CORP. OF DELAWARE            |               |                |          |             |  |
| 3401 N. CALIFORNIA CHICAGO, ILL. 60618 CORNELIA 7-2240 |               |                |          |             |  |
| NAME MASTER DISPLAY BOARD ASSEMBLY                     |               |                |          |             |  |
| MATERIAL                                               |               | HEAT TREATMENT |          | FINISH      |  |
| OWN.                                                   | DATE          | APP'D.         | SCALE    |             |  |
| G.H.                                                   | 3-23-80       |                | 2:1 5470 |             |  |

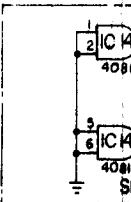


USING DISPLAY DIGITS TEST  
PULSING FOR 0V METER INDICATION  
HIGH FOR +5V METER INDICATION

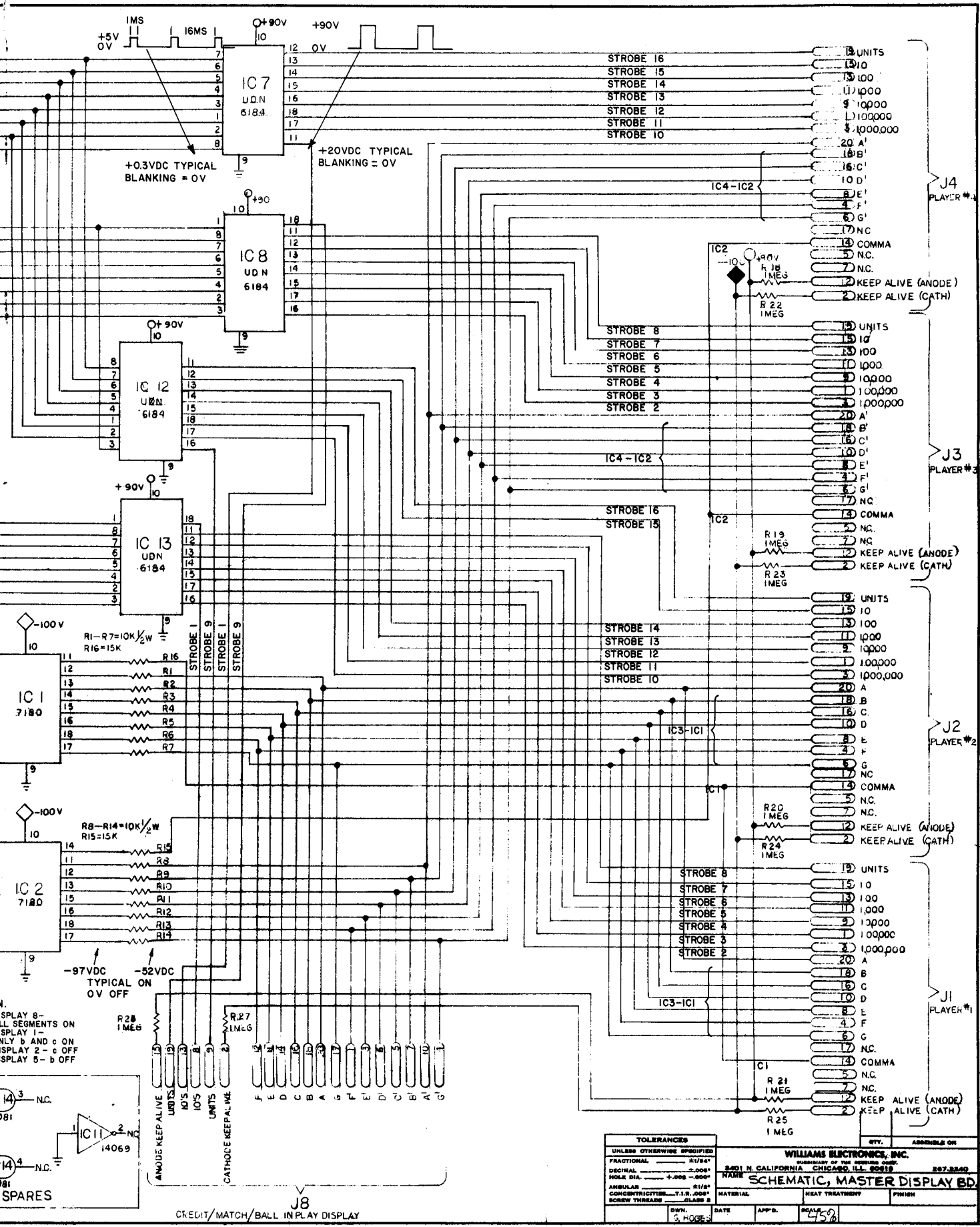


- \* - USE EITHER IC3 & IC6 OR IC3 & IC4 (DO NOT INTERMIX OR USE ALL FOUR AT THE SAME TIME)
- \* \* - JUMPERS ARE TO BE CONNECTED BETWEEN J1-1B AND J1-14 PIN 12 IF COMMAS ARE USED. OTHERWISE JUMPERS ARE TO BE CONNECTED BETWEEN PIN 8 AND GROUND AND BETWEEN PIN 12 AND GROUND OF IC 14.
- FOR COMMAS INSTALL J1 AND J3 FOR NO COMMAS INSTALL J2 AND J4

+5VDC TYPICAL ON.  
0V OFF.  
PULSING WHEN ON.



| REVISION | REVISION | BY |
|----------|----------|----|
|          |          |    |



| TOLERANCES                 |      |               |       |
|----------------------------|------|---------------|-------|
| UNLESS OTHERWISE SPECIFIED |      |               |       |
| FRACTIONAL                 |      | ±1/100"       |       |
| DECIMAL                    |      | ±.005 - .008" |       |
| HOLE DIA.                  |      | +.002 - .004" |       |
| ANGULAR                    |      | ±1/16°        |       |
| CONCENTRICITY              |      | ±.004"        |       |
| SCREW THREADS              |      | CLASS 2       |       |
| SW.                        | DATE | APP.          | SCALE |
| S. HOBBS                   |      |               | 45%   |

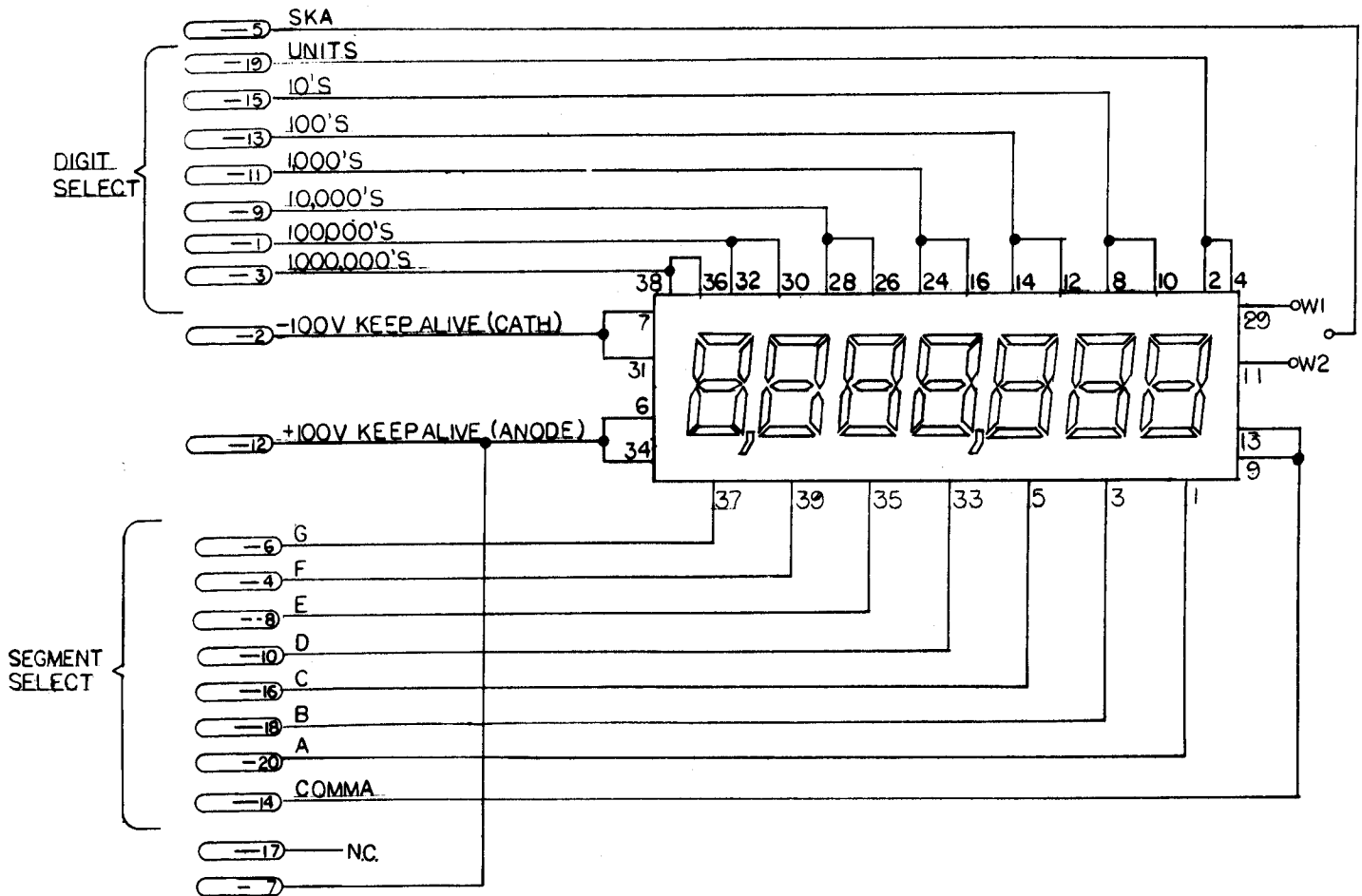
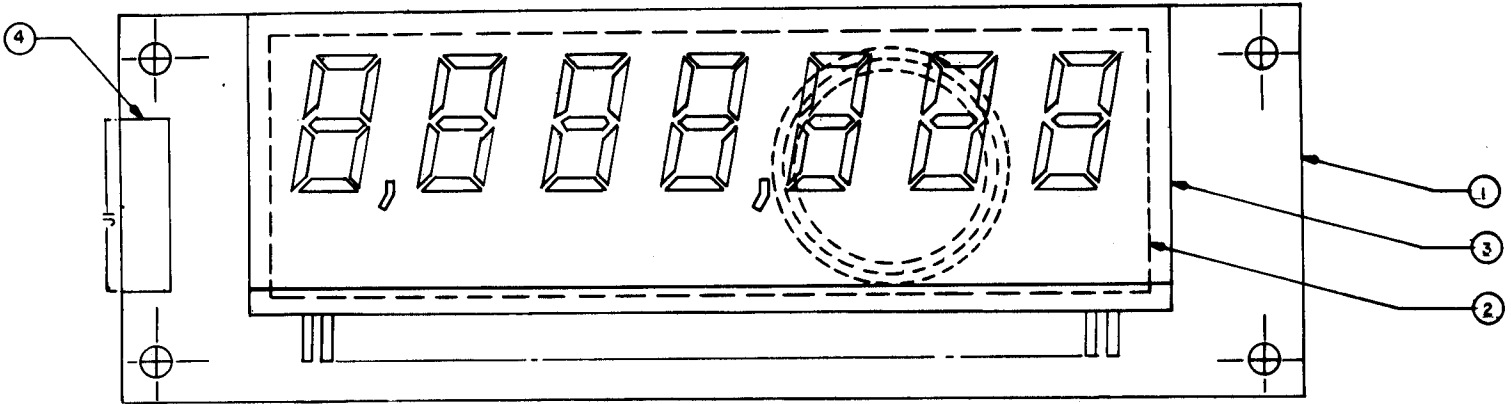
  

| WILLIAMS ELECTRONICS, INC.             |                |          |  |
|----------------------------------------|----------------|----------|--|
| DIVISION OF THE UNITED SHIP            |                |          |  |
| 2401 N. CALIFORNIA CHICAGO, ILL. 60618 |                | 267-8840 |  |
| NAME SCHEMATIC, MASTER DISPLAY BD.     |                |          |  |
| MATERIAL                               | HEAT TREATMENT | FINISH   |  |
|                                        |                |          |  |
| QTY.                                   | ASSEMBLED ON   |          |  |

C 8363 Master Display Board Logic Diagram 21

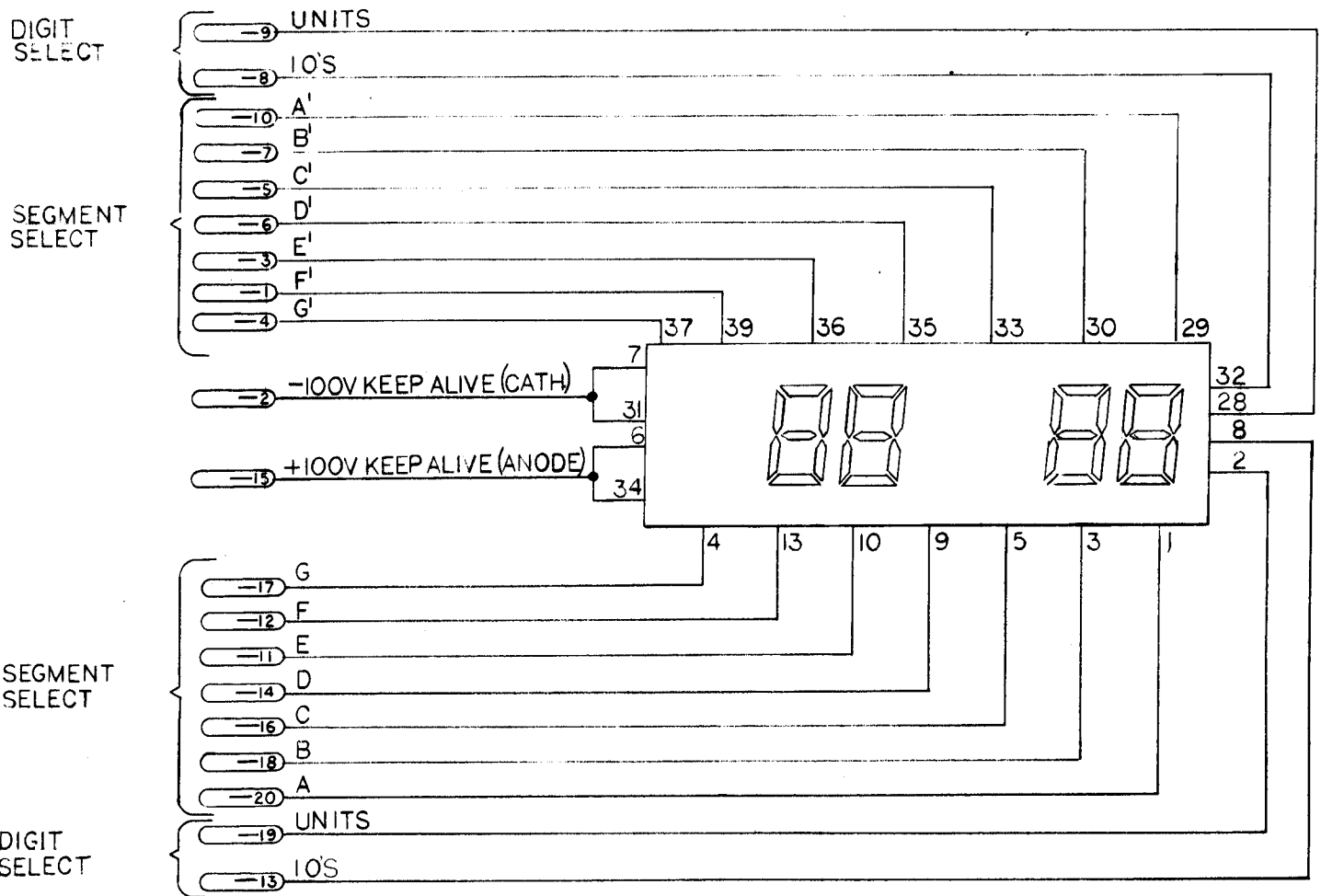
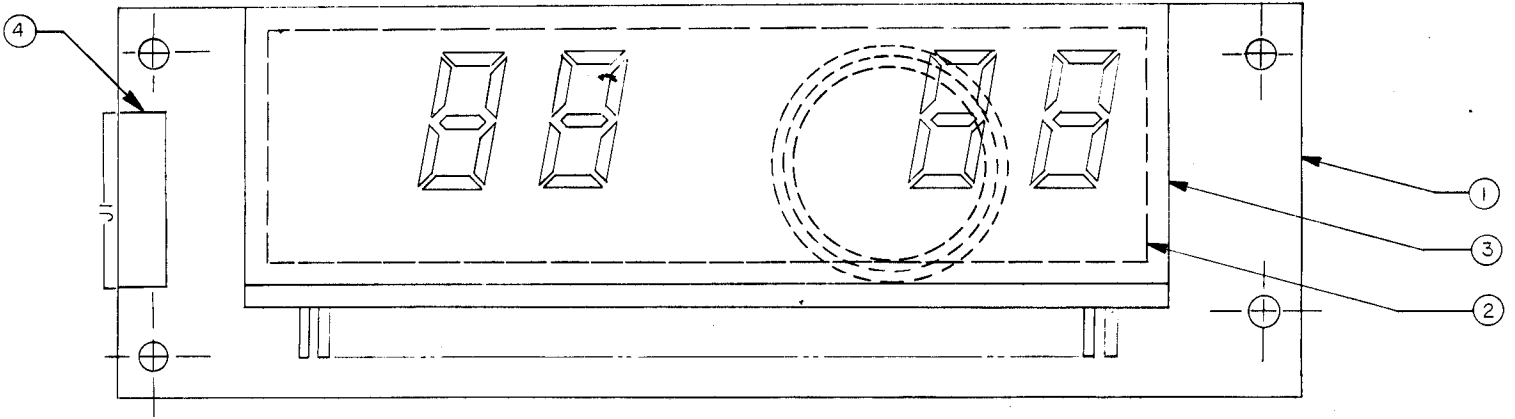


| BILL OF MATERIAL |               |                  |                           |        |
|------------------|---------------|------------------|---------------------------|--------|
| ITEM             | PART NO.      | PART DESIGNATION | DESCRIPTION               | REQ'D. |
| 1                | 5162-08448-XP |                  | SLAVE DISPLAY P.C. BOARD  | 1      |
| 2                | 33-4648       |                  | DISPLAY MTG ADHESIVE FOAM | 1      |
| 3                | 8670-08418-XP |                  | 7 DIGIT DISPLAY           | 1      |
| 4                | 5781-08418-XP | J1               | 20 PIN RIBBON HEADER      | 1      |
| 5                | 03-7673-2     |                  | CAPLUG                    | 1      |

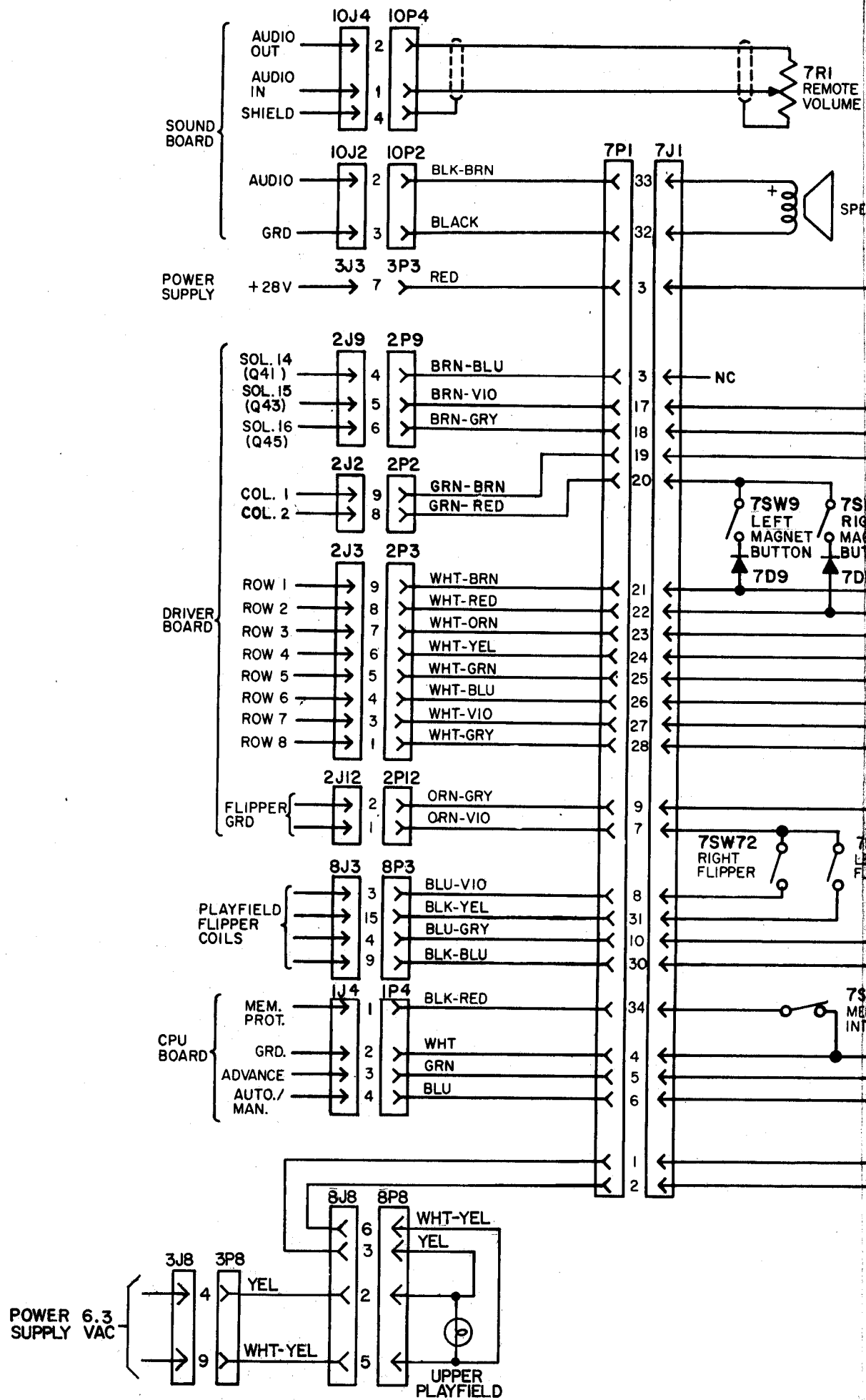


C 8364 PLAYER SLAVE DISPLAY

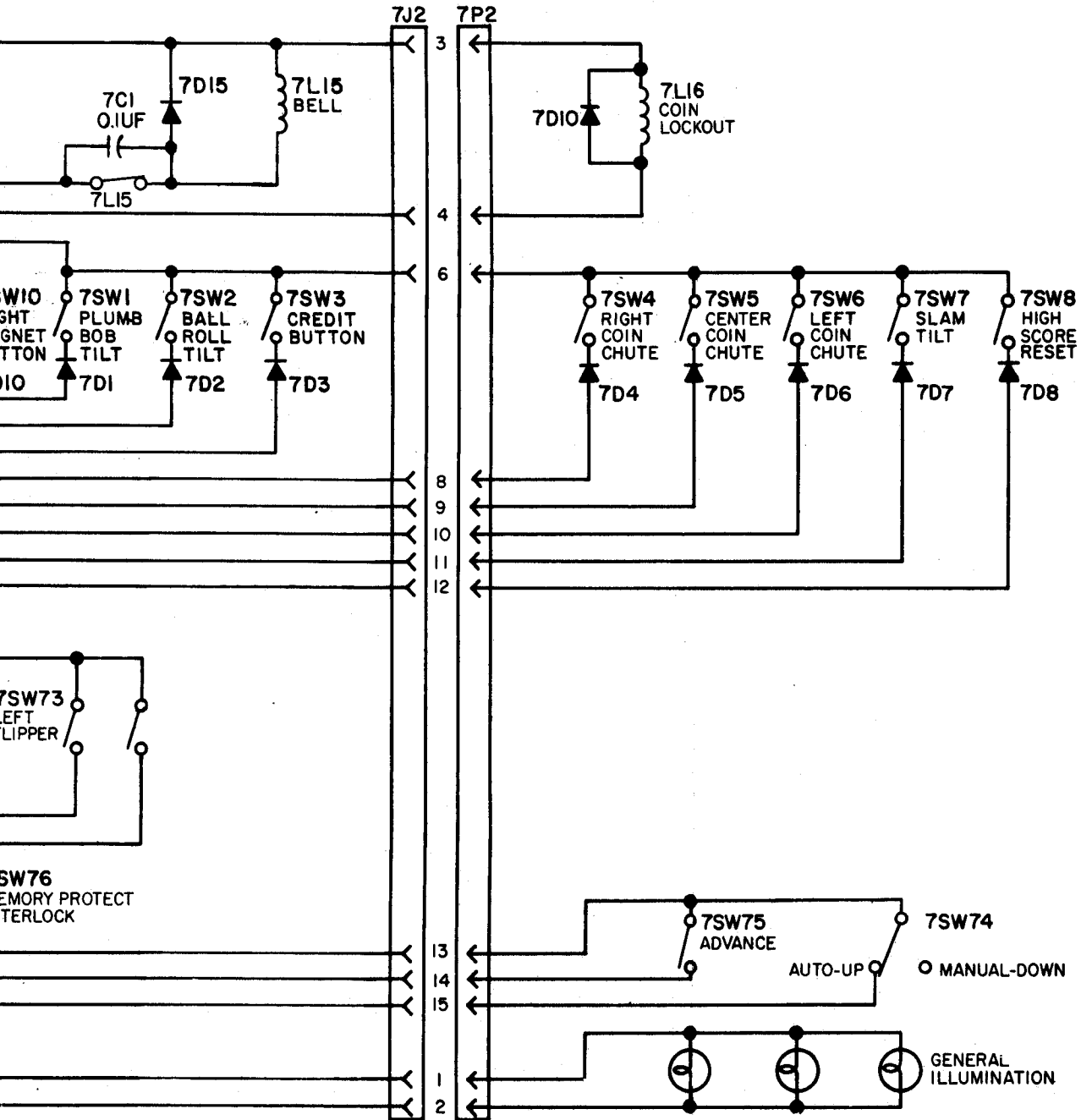
| BILL OF MATERIAL |               |                  |                              |        |
|------------------|---------------|------------------|------------------------------|--------|
| ITEM             | PART NO.      | PART DESIGNATION | DESCRIPTION                  | REQ' D |
| 1                | 576709468-00  |                  | CREDIT/MATCH SLAVE PC. BOARD | 1      |
| 2                | 23-6545       |                  | FOAM DISPLAY - BACK          | 1      |
| 3                | 5670-0844B-00 |                  | 4 DIGIT DISPLAY              | 1      |
| 4                | 5791-0843B-00 | J1               | 20 PIN RIBBON HEADER         | 1      |
| 5                | 23-6546       |                  | FOAM DISPLAY - FRONT         | 1      |
| 6                | 03-1513-2     |                  | CAPLUG                       | 1      |

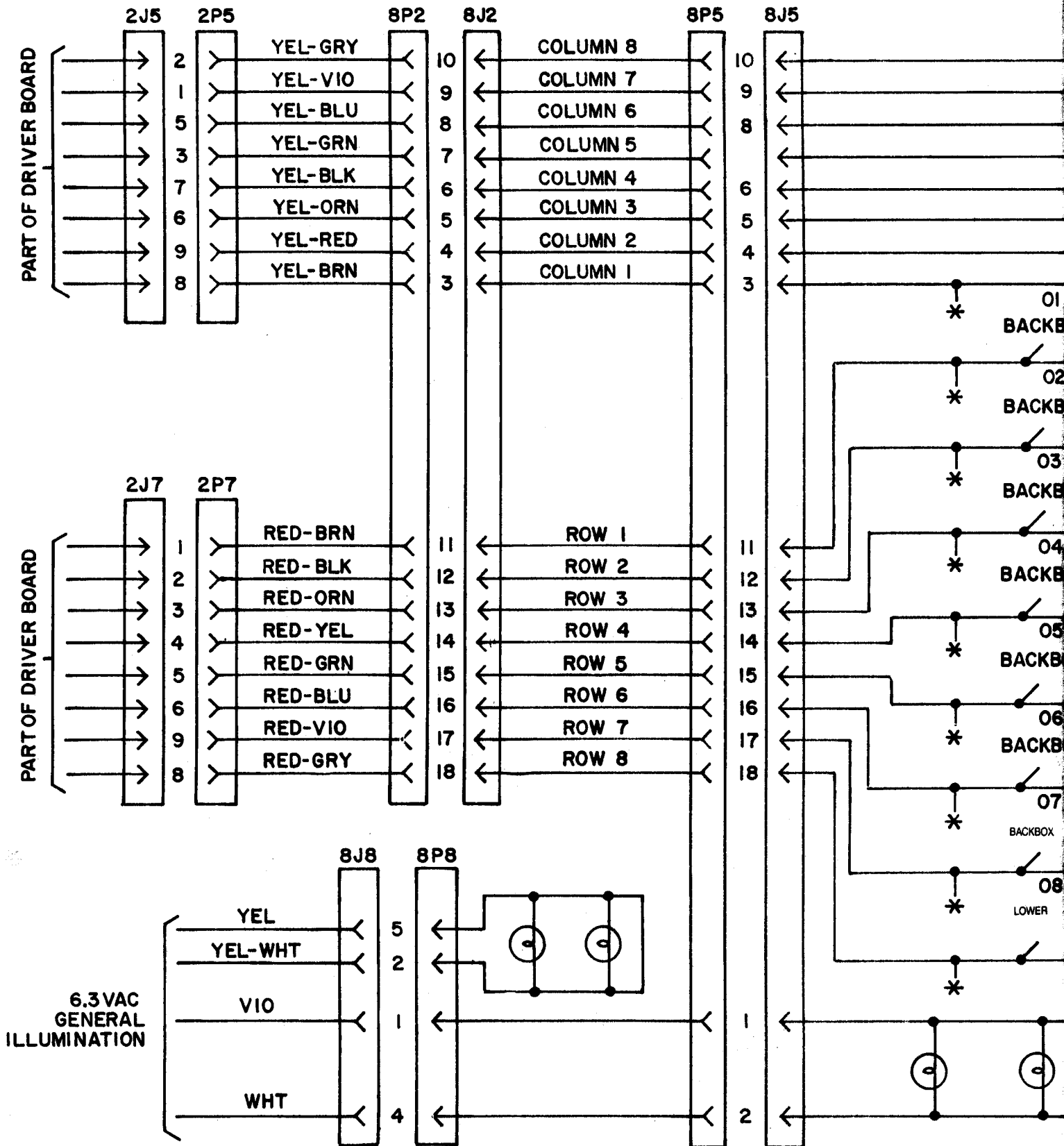


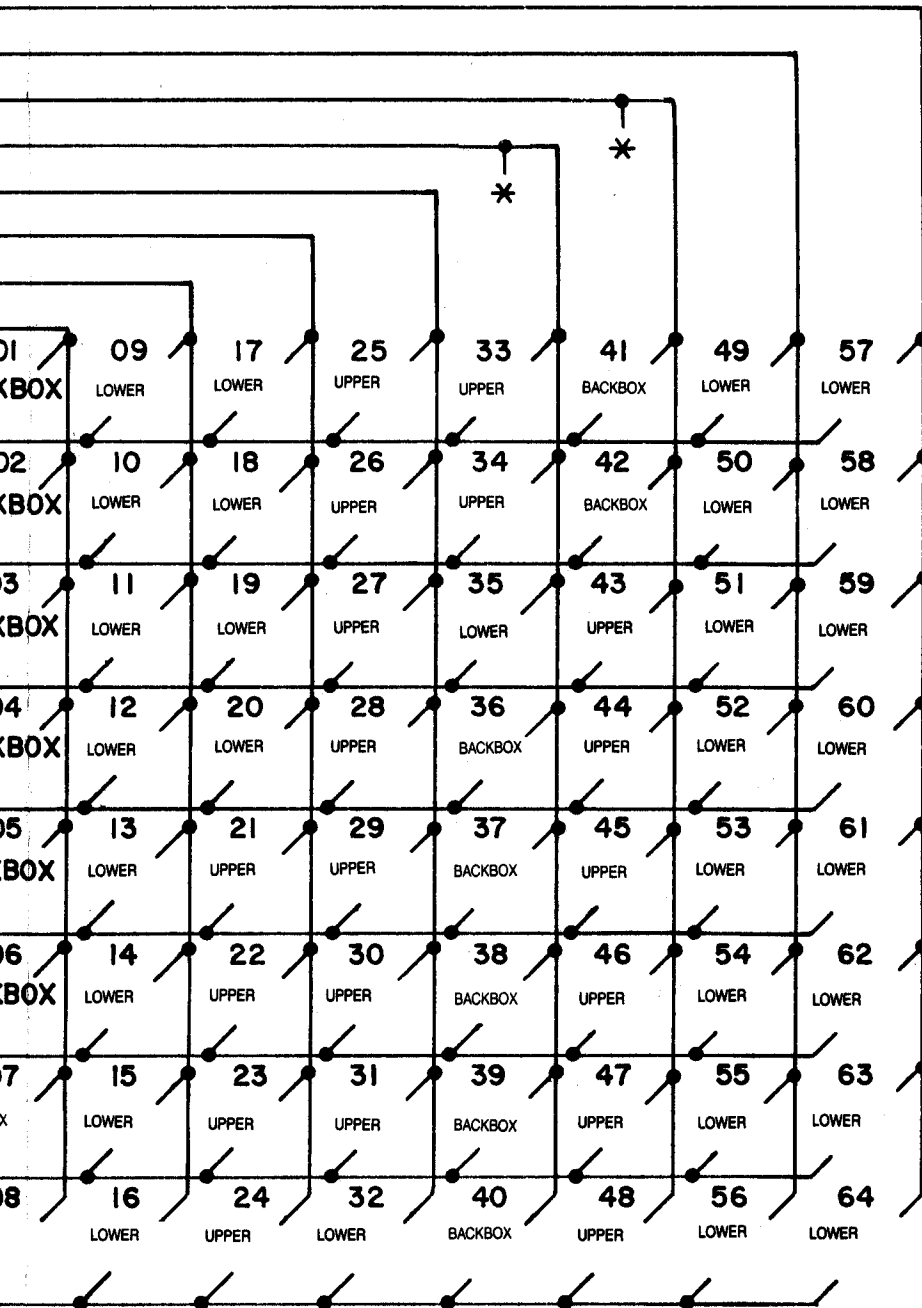
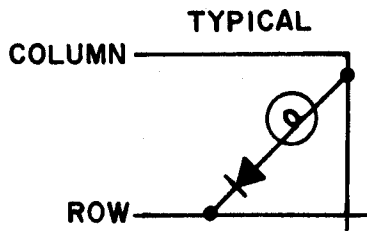
C 8365 CREDIT/MATCH SLAVE DISPLAY



FEAKER





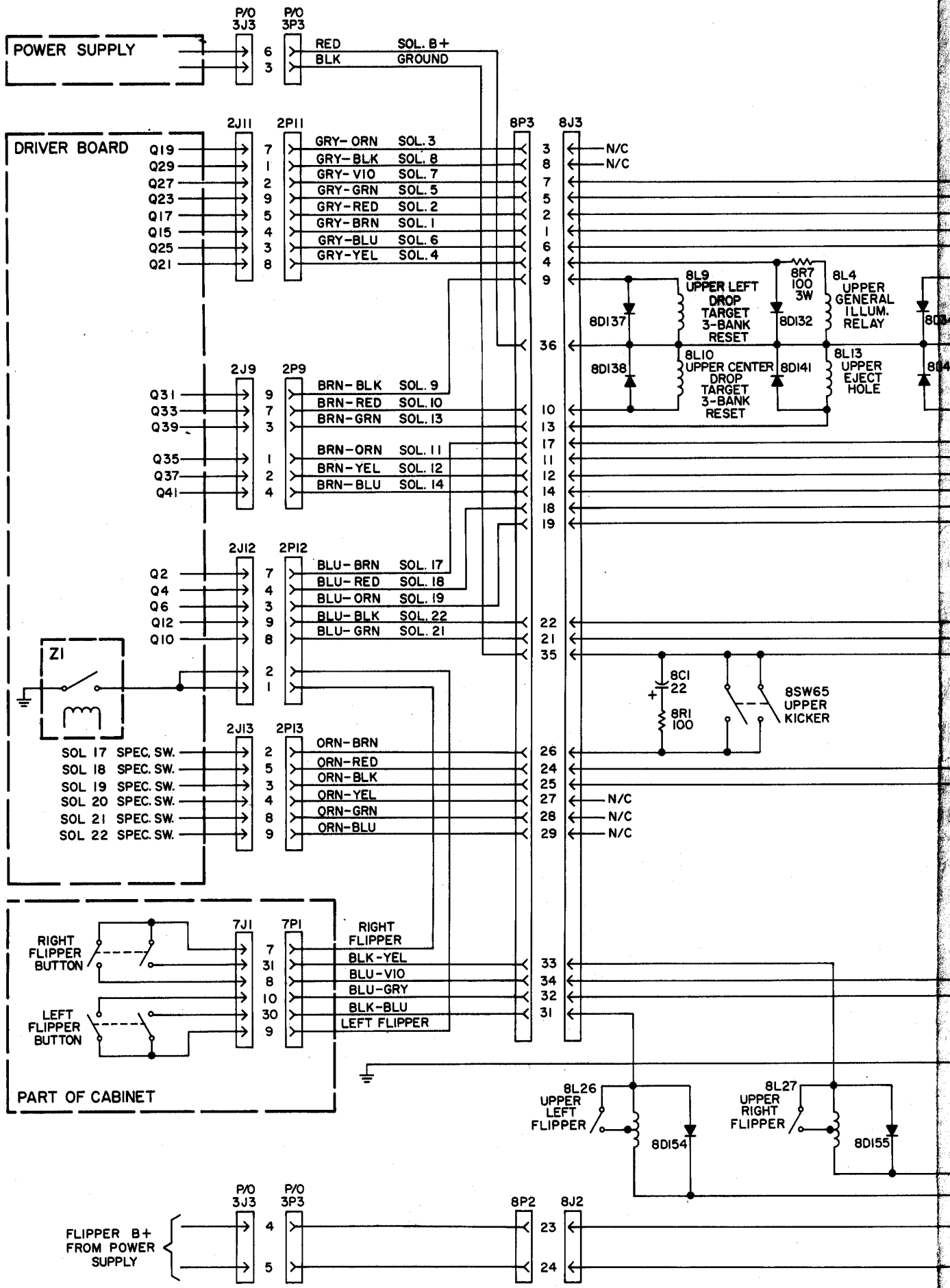


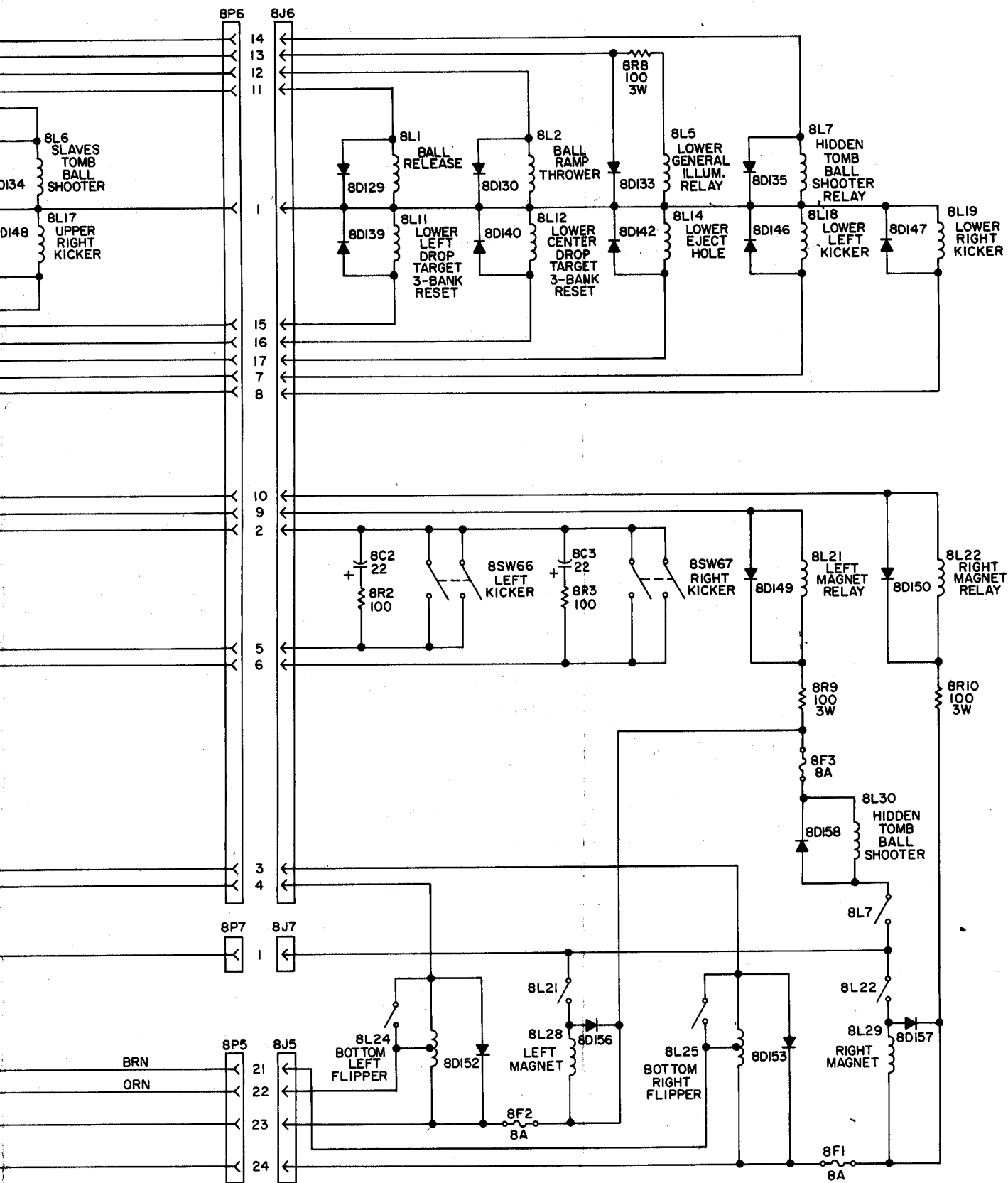
| Bulb No. | Function                             |
|----------|--------------------------------------|
| 01       | Same Player Shoots Again (Backbox)   |
| 02       | Left Magnet, Bottom Arrow            |
| 03       | 2X Scoring                           |
| 04       | "A"                                  |
| 05       | Slaves Tomb Extra Ball When Lit      |
| 06       | "O"                                  |
| 07       | "I" Bonus                            |
| 08       | "9" Bonus                            |
| 09       | Ball in Play                         |
| 10       | Left Magnet, 2+ Arrow                |
| 11       | Hidden Tomb Collect Bonus            |
| 12       | "O"                                  |
| 13       | Upper Eject Hole Arrow               |
| 14       | "H"                                  |
| 15       | "2" Bonus                            |
| 16       | "10" Bonus                           |
| 17       | Tilt                                 |
| 18       | Left Magnet 4+ Arrow                 |
| 19       | Lower Center 3-Bank                  |
| 20       | "H"                                  |
| 21       | Lower Eject Hole Arrow               |
| 22       | Extra Ball When Lit Hidden Tomb      |
| 23       | "3" Bonus                            |
| 24       | "20" Bonus                           |
| 25       | Game Over                            |
| 26       | Right Magnet Bottom Arrow            |
| 27       | Lower Right 3-Bank                   |
| 28       | Upper Bull's-Eye Target              |
| 29       | "P" (Backbox)                        |
| 30       | Slaves Tomb General Illumination     |
| 31       | "4" Bonus                            |
| 32       | "30" Bonus                           |
| 33       | Match                                |
| 34       | Right Magnet 2+ Arrow                |
| 35       | "P" (Playfield)                      |
| 36       | Upper Left 3-Bank Bottom Arrow       |
| 37       | "H"                                  |
| 38       | Captive Ball General Illumination    |
| 39       | "5" Bonus                            |
| 40       | "40" Bonus                           |
| 41       | High Score to Date                   |
| 42       | Right Magnet 4+ Arrow                |
| 43       | "H"                                  |
| 44       | Upper Left 3-Bank Center Arrow       |
| 45       | "A"                                  |
| 46       | Upper Center 3-Bank Left Arrow       |
| 47       | "6" Bonus                            |
| 48       | 2X                                   |
| 49       | Bonus Ball Timer                     |
| 50       | Left ? Lane                          |
| 51       | "A"                                  |
| 52       | Upper Left 3-Bank Top Arrow          |
| 53       | "R"                                  |
| 54       | Upper Center 3-Bank Center Arrow     |
| 55       | "7" Bonus                            |
| 56       | 3X                                   |
| 57       | Same Player Shoots Again (Playfield) |
| 58       | Right ? Lane                         |
| 59       | "R"                                  |
| 60       | Lower Bull's-Eye Target              |
| 61       | "A"                                  |
| 62       | Upper Center 3-Bank Right Arrow      |
| 63       | "8" Bonus                            |
| 64       | 5X                                   |

\* SEE INSERT BOARD WIRING DIAGRAM FOR CONNECTIONS FOR BACKBOX LAMPS.

ONLY CONNECTIONS TO LAMPS IN LOWER PLAYFIELD ARE ROUTED THRU 8P5/8J5.

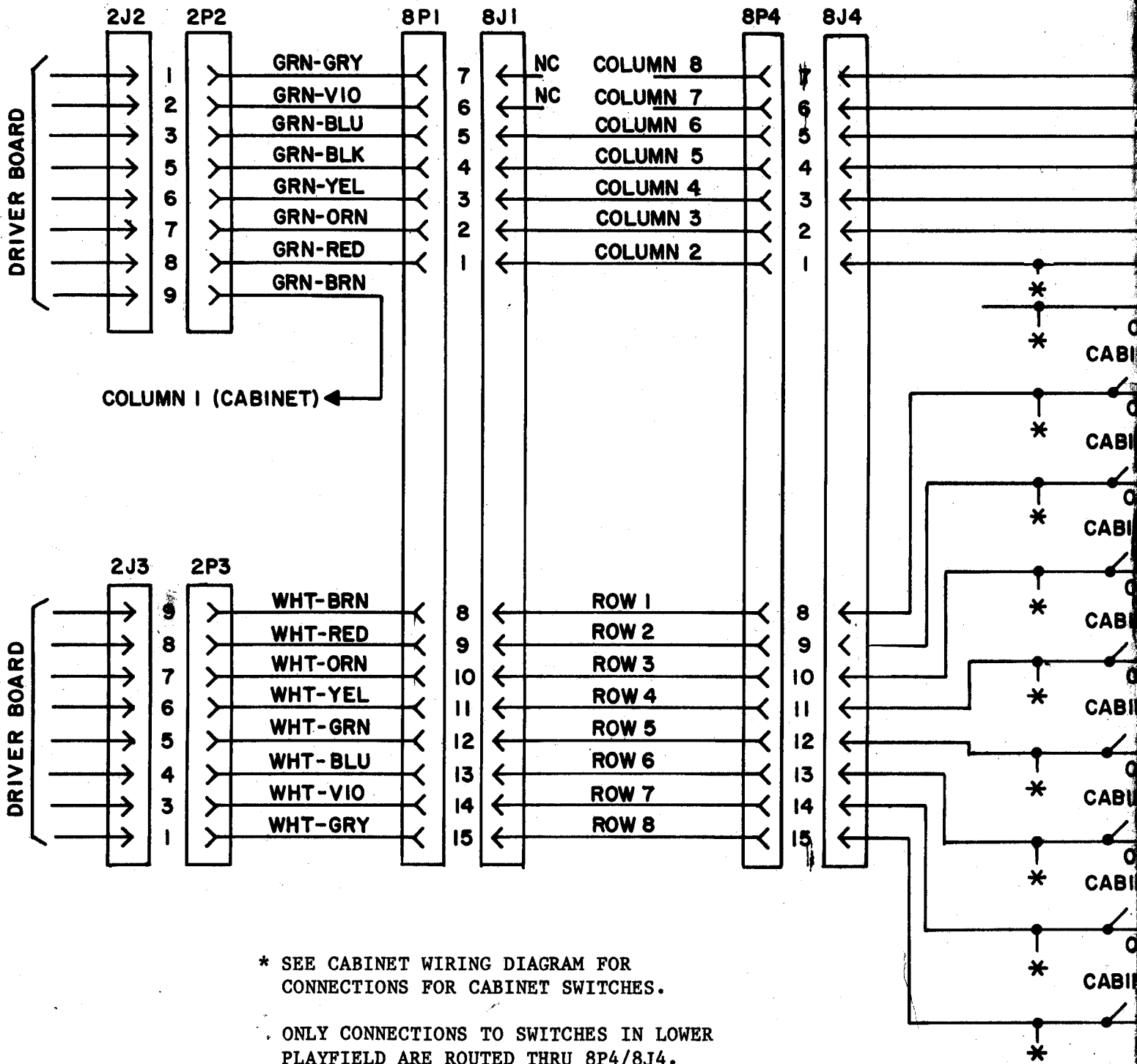
GENERAL ILLUMINATION





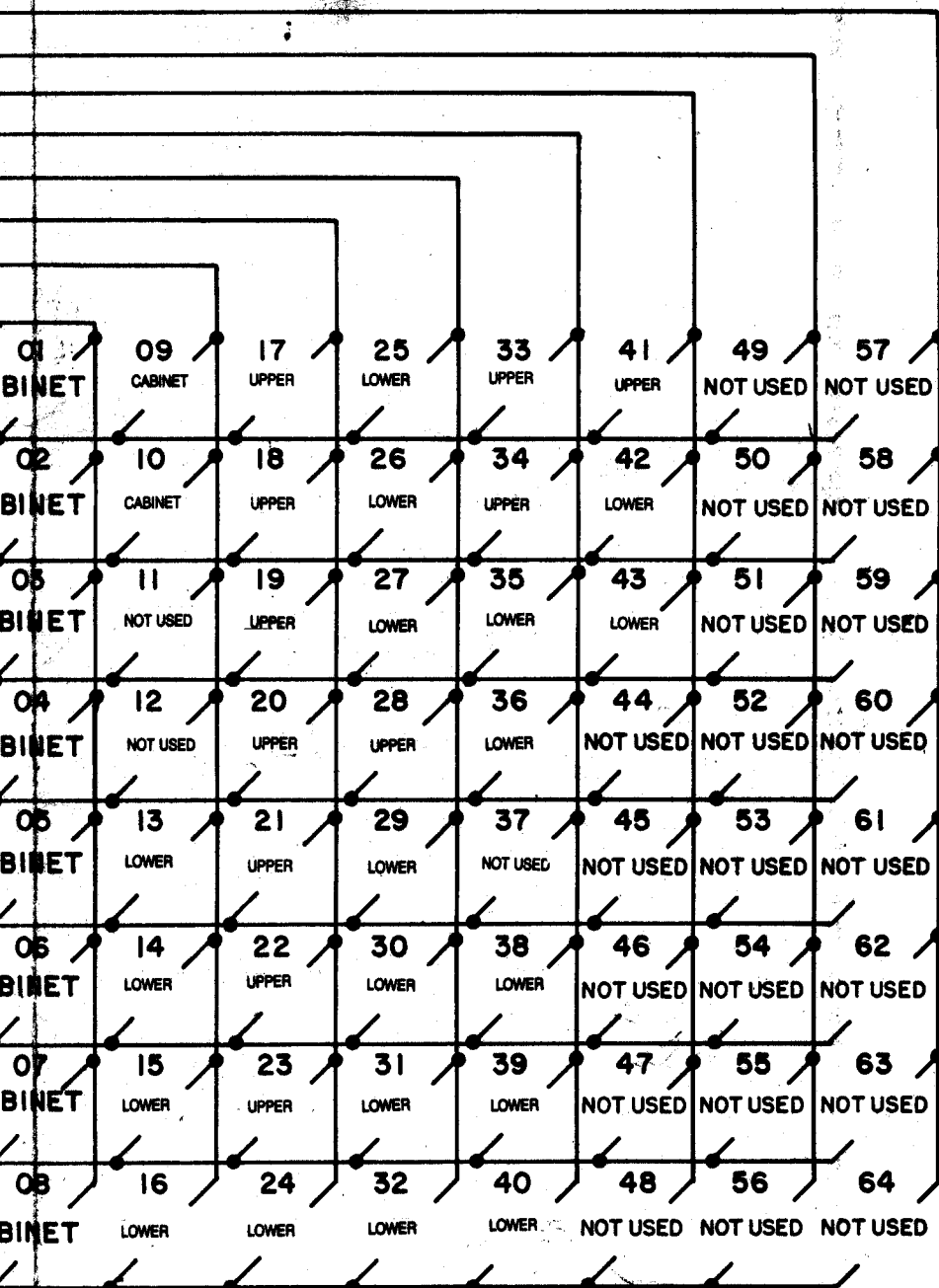
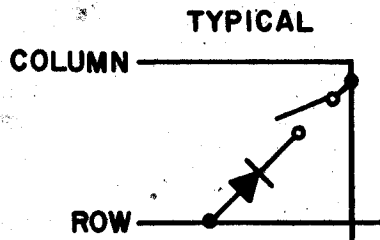
Playfield Solenoid Wiring Diagram





\* SEE CABINET WIRING DIAGRAM FOR CONNECTIONS FOR CABINET SWITCHES.

\* ONLY CONNECTIONS TO SWITCHES IN LOWER PLAYFIELD ARE ROUTED THRU 8P4/8J4.



**Switch**

**No. Function (Score\*)**

- 09 Left Magnet Button
- 10 Right Magnet Button
- 11 Not Used
- 12 Not Used
- 13 Left Inside Rollover (10,000)
- 14 Right Inside Rollover (10,000)
- 15 Left ? Lane Rollover (5,000/Mystery)
- 16 Right ? Lane Rollover (5,000/Mystery)
- 17 Upper Left 3-Bank Bottom Target (3,000)
- 18 Upper Left 3-Bank Center Target (3,000)
- 19 Upper Left 3-Bank Top Target (3,000)
- 20 Upper Kicker (10/110)
- 21 Upper Center 3-Bank Left Target (3,000)
- 22 Upper Center 3-Bank Center Target (3,000)
- 23 Upper Center 3-Bank Right Target (3,000)
- 24 Left Kicker (10)
- 25 Lower Center 3-Bank Bottom Target (3,000)
- 26 Lower Center 3-Bank, Center (3,000)
- 27 Lower Center 3-Bank, Top (3,000)
- 28 Upper Bull's-Eye Target (5,000/15,000)
- 29 Lower Right 3-Bank, Top Target (3,000)
- 30 Lower Right 3-Bank, Center Target (3,000)
- 31 Lower Right 3-Bank, Bottom Target (3,000)
- 32 Lower Bull's-Eye Target (5,000/15,000)
- 33 Slaves Tomb Shooter (20,000)
- 34 Upper Eject Hole (7,000)
- 35 Lower Eject Hole (7,000)
- 36 Outhole
- 37 Not Used
- 38 Ball Ramp Left Switch
- 39 Ball Ramp Right Switch
- 40 Ballshooter Trough
- 41 Captive Ball (5,000/5,000 per lit letter)
- 42 Playfield Tilt
- 43 Hidden Tomb Shooter (20,000)
- 44 Right Kicker (10)

\*All scores are doubled for 2X Scoring.

Mystery for switches 15 and 16 (awarded when lit) is random bonus advances, bonus multiplier, random points, or special.

Second value for switch 20 is randomly scored.

Second value for switches 28 and 32 is scored when lit with 5X bonus multiplier.

With full bonus, 10,000 is awarded instead of each bonus advance.