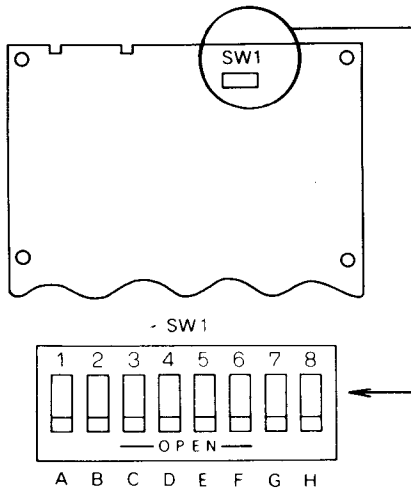


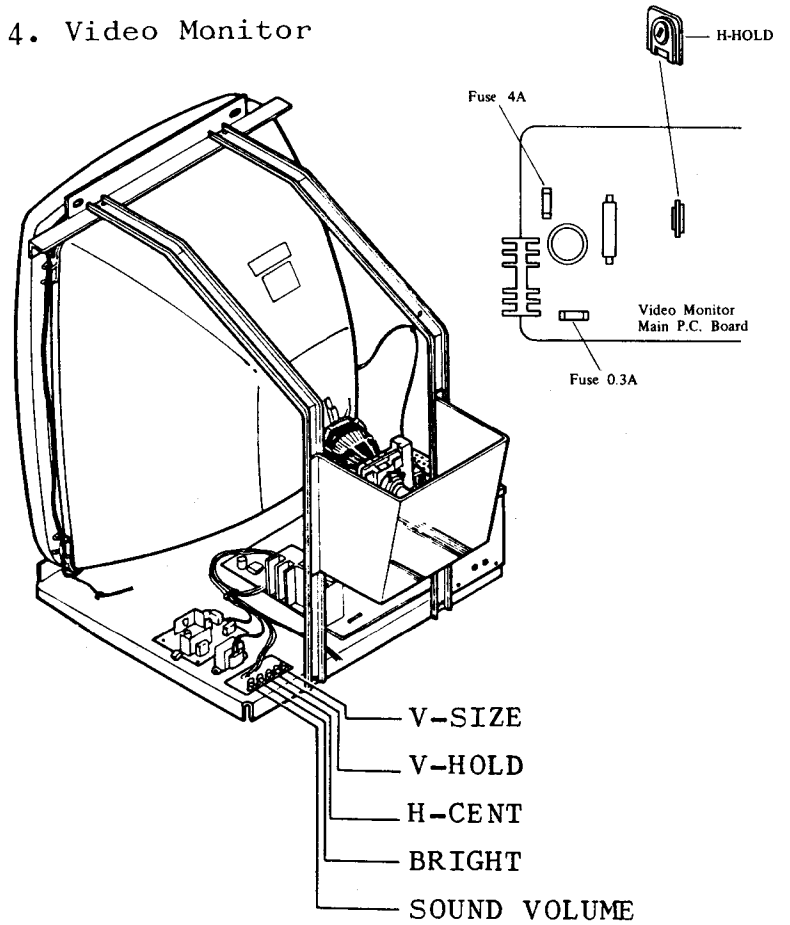
ADJUSTMENTS

1. Number of Jumpman, Score Level, Coinage and Type (CPU P.C.Board)



	A	B	C	D	E	F	G	H
Number of Jumpman								
3	OFF	OFF						
4	ON	OFF						
5	OFF	ON						
6	ON	ON						
Score Level for extra Jumpman								
7,000 points			OFF	OFF				
10,000 points			ON	OFF				
15,000 points			OFF	ON				
20,000 points			ON	ON				
Coinage								
1 coin /1 play					OFF	OFF	OFF	
1 coin /2 plays					OFF	ON	OFF	
1 coin /3 plays					OFF	OFF	ON	
1 coin /4 plays					OFF	ON	ON	
2 coins/1 play					ON	OFF	OFF	
3 coins/1 play					ON	ON	OFF	
4 coins/1 play					ON	OFF	ON	
5 coins/1 play					ON	ON	ON	
Table / Upright								
Table								OFF
Upright								ON

4. Video Monitor

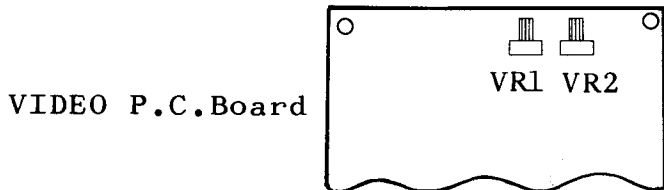


Do not touch the inside of the video monitor in which many parts are supplied with high tension.

CAUTIONS

2. Screen (VIDEO P.C.Board)

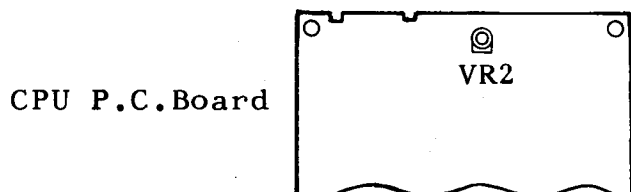
Semi-fixed resistors, VR1 and VR2 on VIDEO P.C.Board are used to adjust video monitor screen.



VR1	50KΩ 1/3W top type white knob		Turn right to move image downward.
VR2	50KΩ 1/3W top type white knob		Turn right to move image leftward

3. Sound Balance (CPU P.C.Board)

Semi-fixed resistor, VR2 on CPU P.C.Board is used to adjust sound balance.



VR2	10KΩ 1/5W plain type white knob	Balance of effective sound
-----	---------------------------------	----------------------------

- (1) Turn the power off before exchanging and removing the P.C.Board and connectors.
- (2) Do not touch IC, LSI and other electronic parts on P.C.Boards. Do not use a tester or the like on them.
- (3) P.C.Board to be stored or transported should be wrapped by a conductive pouch or aluminum foil.
- (4) P.C.Board should not be exposed direct to the sun.
- (5) When soldering, use soldering iron of which end is grounded.