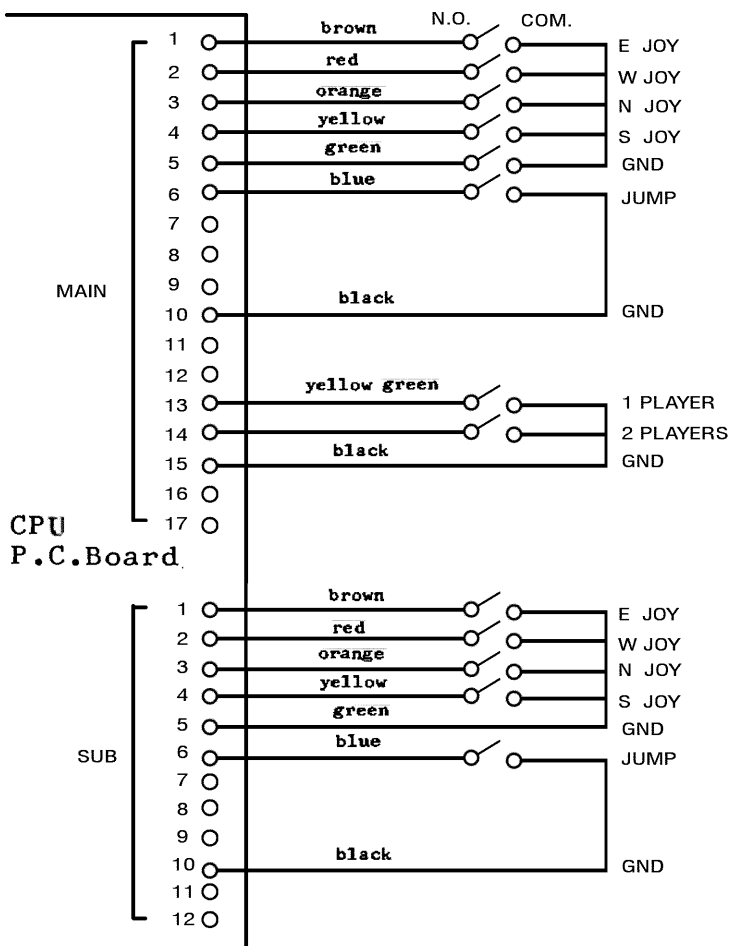
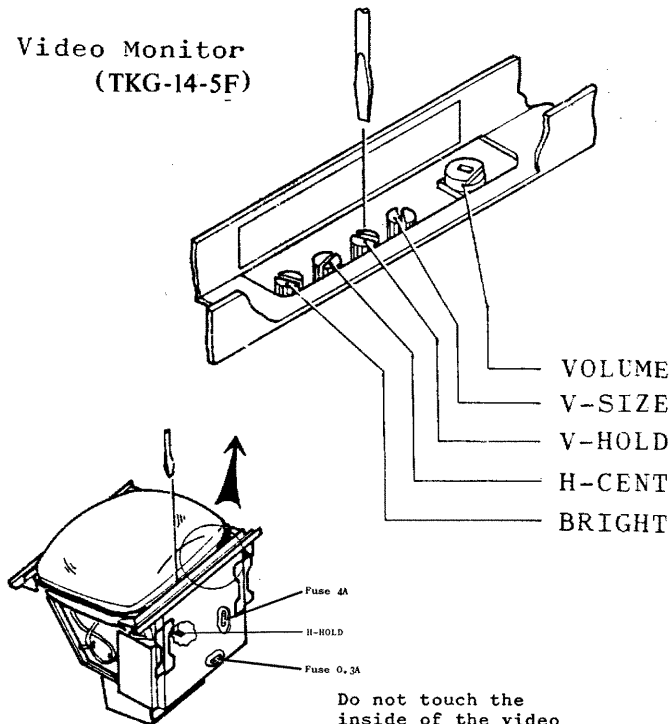


WIRING

(Control Box)

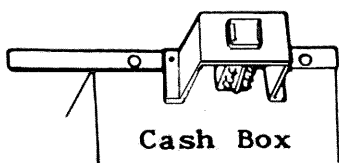


Video Monitor
(TKG-14-5F)



Do not touch the inside of the video monitor in which many parts are supplied with high tension.

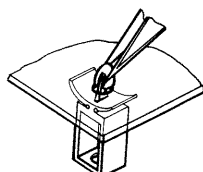
Service Switch



* The service switch is used for adjustment. When this switch is depressed, game can be played while the game counter does not work.

CAUTIONS

1. Turn the power off before exchanging and removing the P.C.Board and connectors.
2. Do not touch IC, LSI and other electronic parts on P.C.Boards. Do not use a tester or the like on them.
3. P.C.Board to be stored or transported should be wrapped by a conductive pouch or aluminum foil.
4. P.C.Board should not be exposed direct to the sun.
5. When soldering, use soldering iron of which end is grounded.
6. When exchanging P.C.Board, press the claw of P.C. Board Spacer with a pin cette, as illustrated, and pull out the P.C.Board.



TKG-TBL