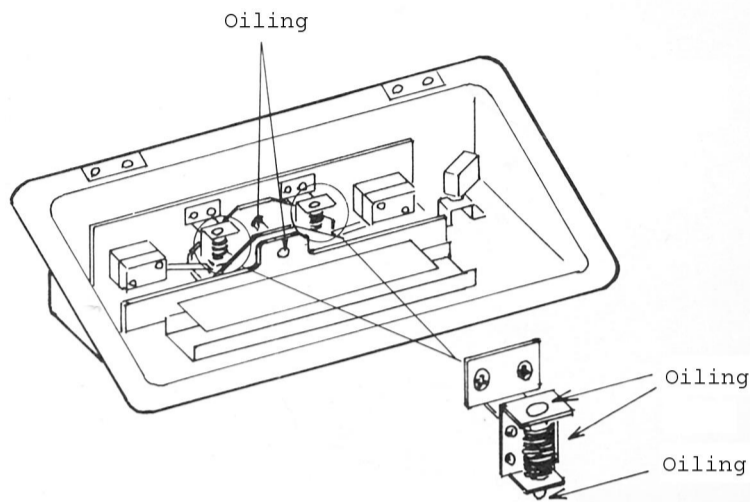


# OILING

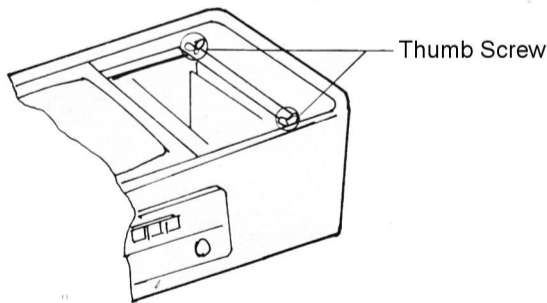
\* Add oil to the following part of the control box when laser gun control lever is not smooth in operation.

(Use silicon grease "SILICOLUBE" (G-31L))

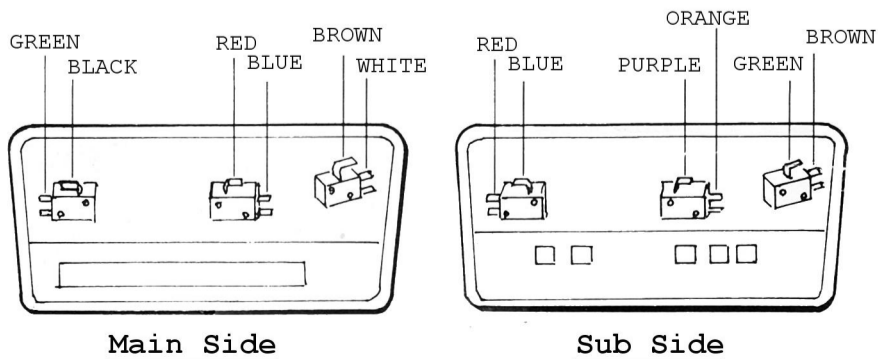


# CAUTIONS

1. Turn the power off before exchanging and removing the p.c. board and connectors.
2. Do not touch IC, LSI and other electronic parts on p.c. boards. Do not use a tester or the like on them.
3. CPU p.c. board, I/O p.c. board and sound p.c. board to be stored or transported should be wrapped by a conductive pouch or aluminum foil.
4. CPU p.c. board and sound p.c. board should not be exposed directly to the sun.
5. When soldering, use soldering iron of which end is grounded.
6. When removing CPU p.c. board or I/O p.c. board, remove two thumb screws. When removing sound p.c. board, remove two screws.

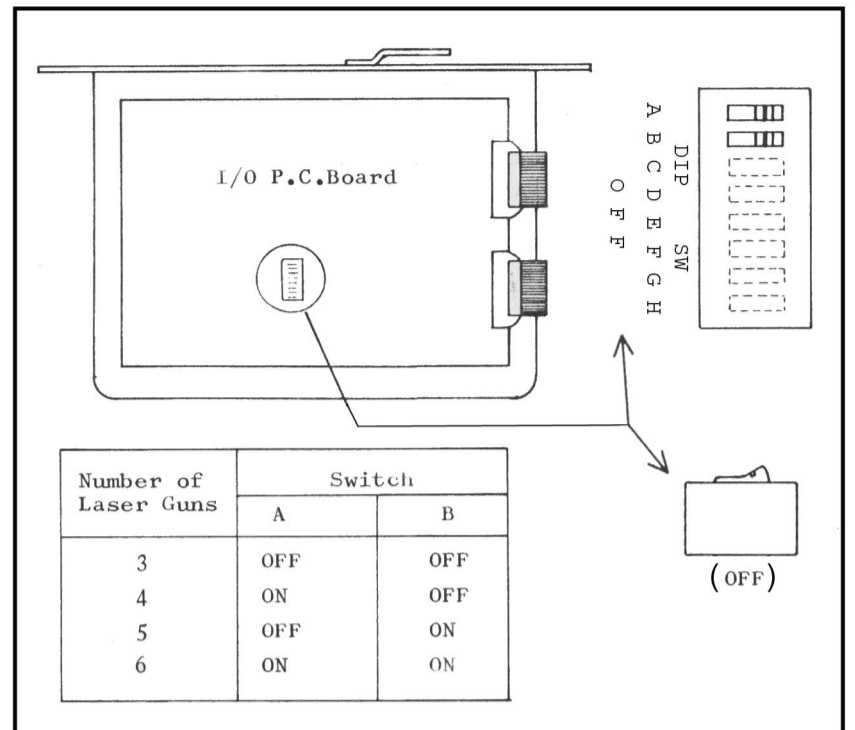


7. Wiring for the laser gun control switch and fire switch are shown in the figures below.



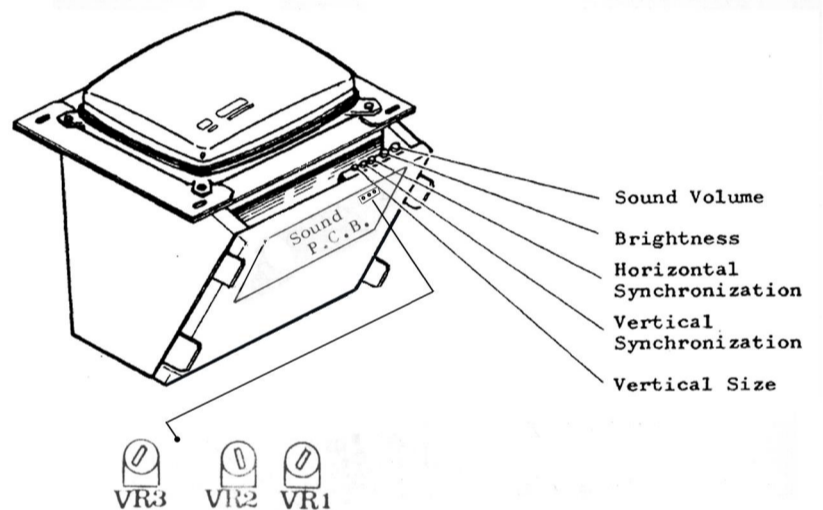
# ADJUSTMENTS

## 1. Number of Laser Gun



\* Switches C - H have no function.

## 2. Video Monitor & Sound Volume



\* Do not touch the inside of the video monitor in which many parts are supplied with high tension.

VR1	Sound for advance of attackers Extra score sound Sound for entering of spaceship Spaceship explosion sound Game start sound Game over sound Laser gun explosion melody Sound for re-entering of attackers
VR2	Laser gun firing sound Laser gun explosion sound Attacker explosion sound
VR3	VR1 VR2 consolidated sound adjustment Adjust consolidated sound on video monitor first. (see page 5)

Turning the VR in the clockwise direction increases the sound volume.