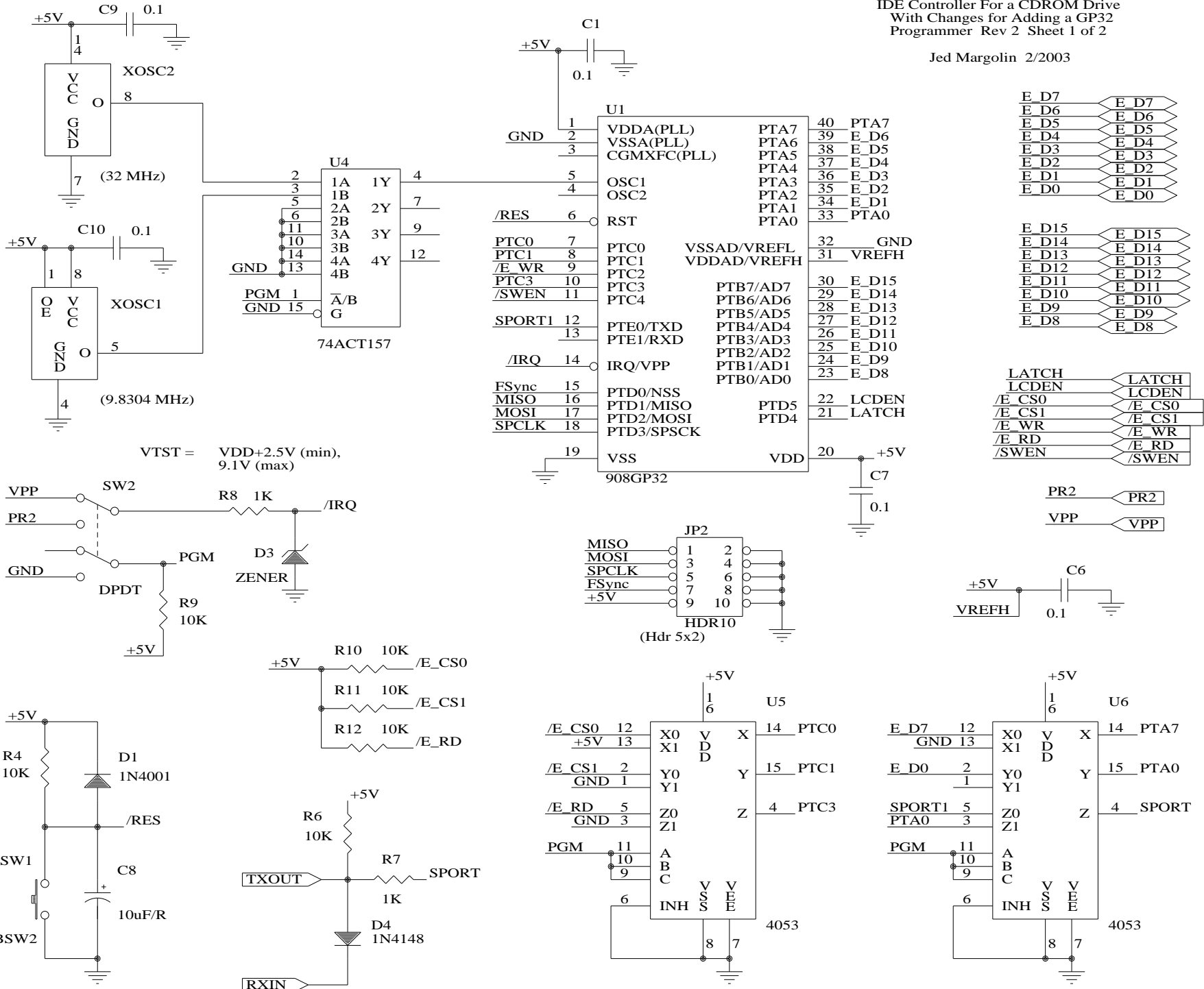


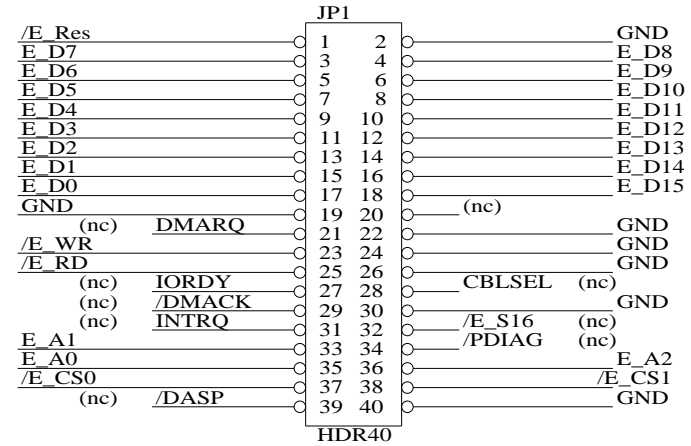
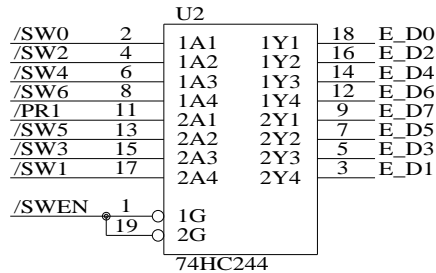
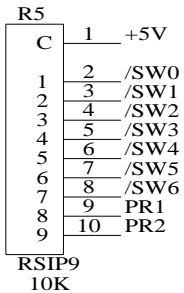
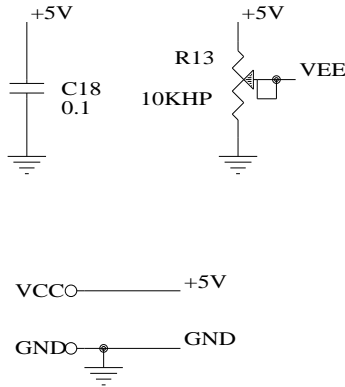
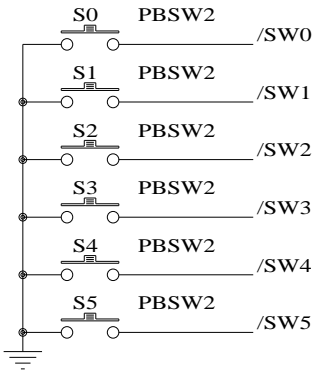
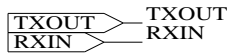
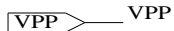
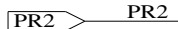
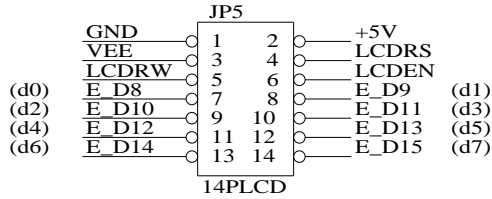
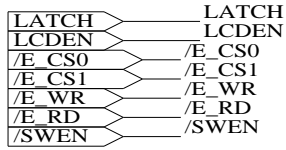
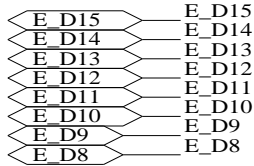
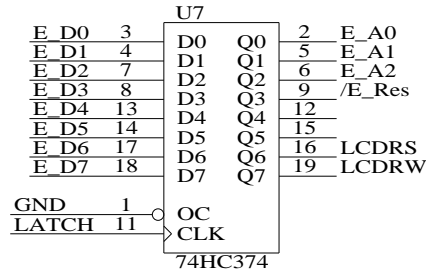
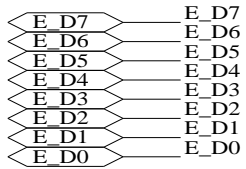
IDE Controller For a CDROM Drive
 With Changes for Adding a GP32
 Programmer Rev 2 Sheet 1 of 2

Jed Margolin 2/2003

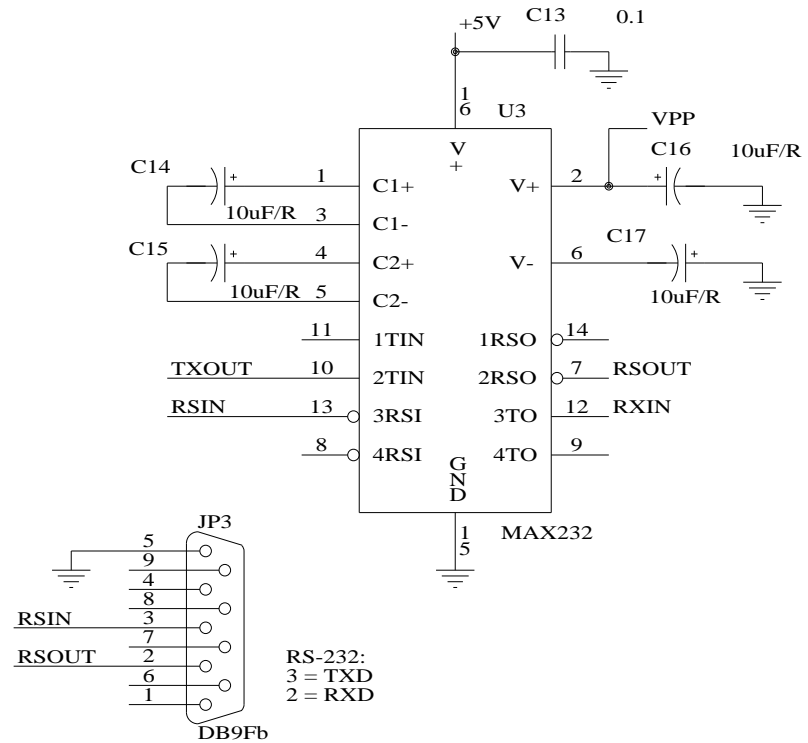


IDE Controller For a CDROM Drive
 With Changes for Adding a GP32
 Programmer Rev 2 Sheet 2 of 2

Jed Margolin 2/2003

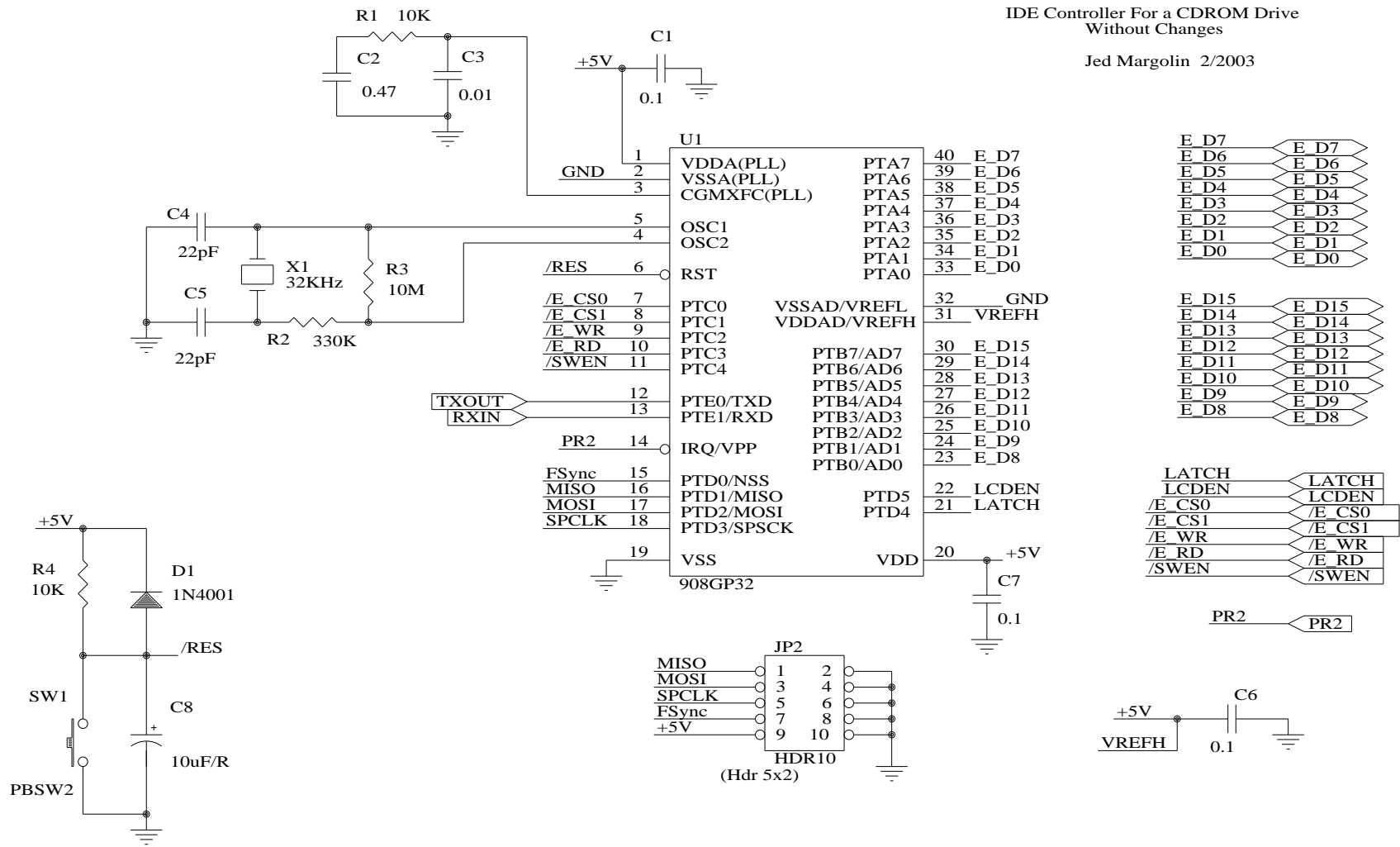


IDE Header 20x2



IDE Controller For a CDROM Drive
Without Changes

Jed Margolin 2/2003



Standalone Controller For an IDE CDROM Drive

Jed Margolin
May 1999

