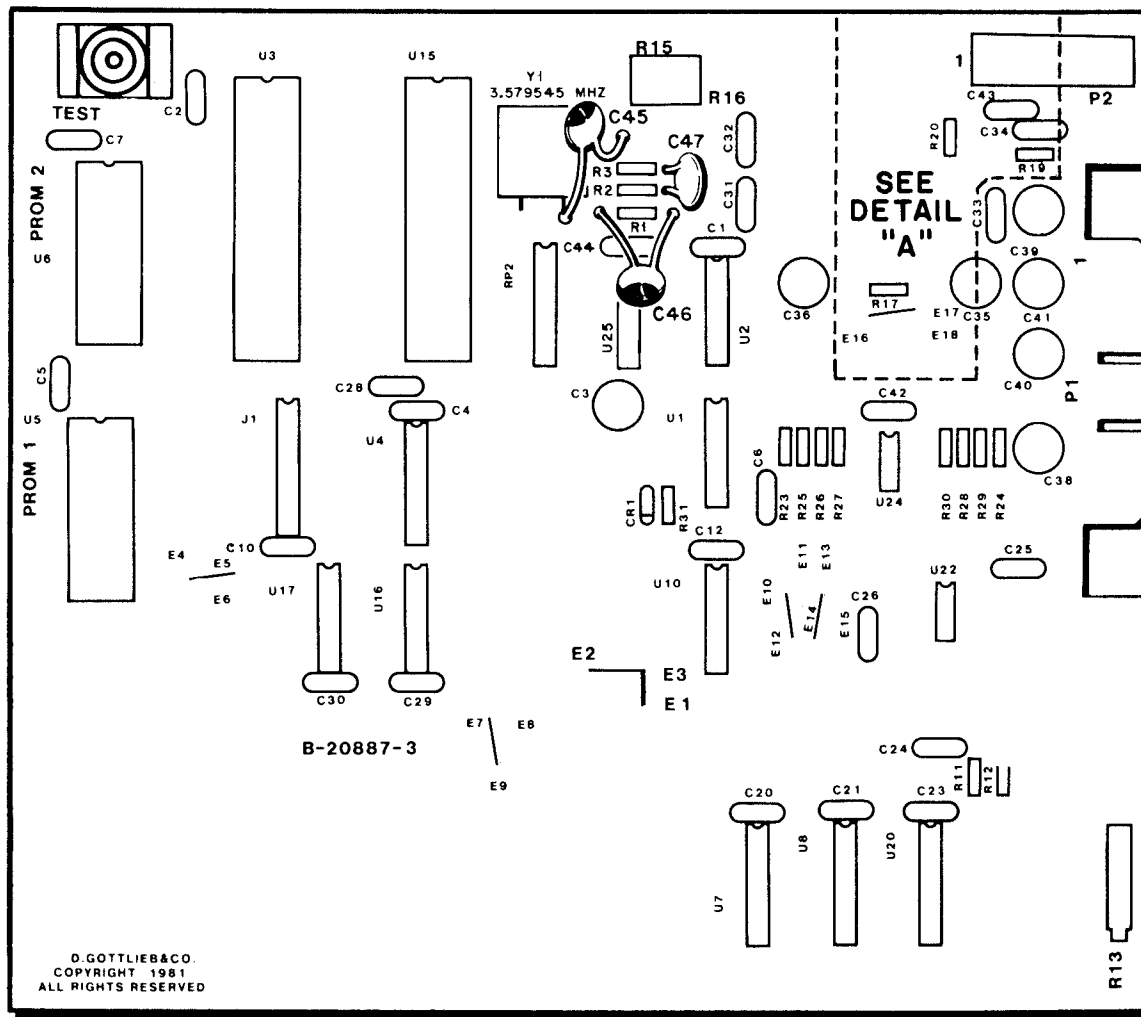


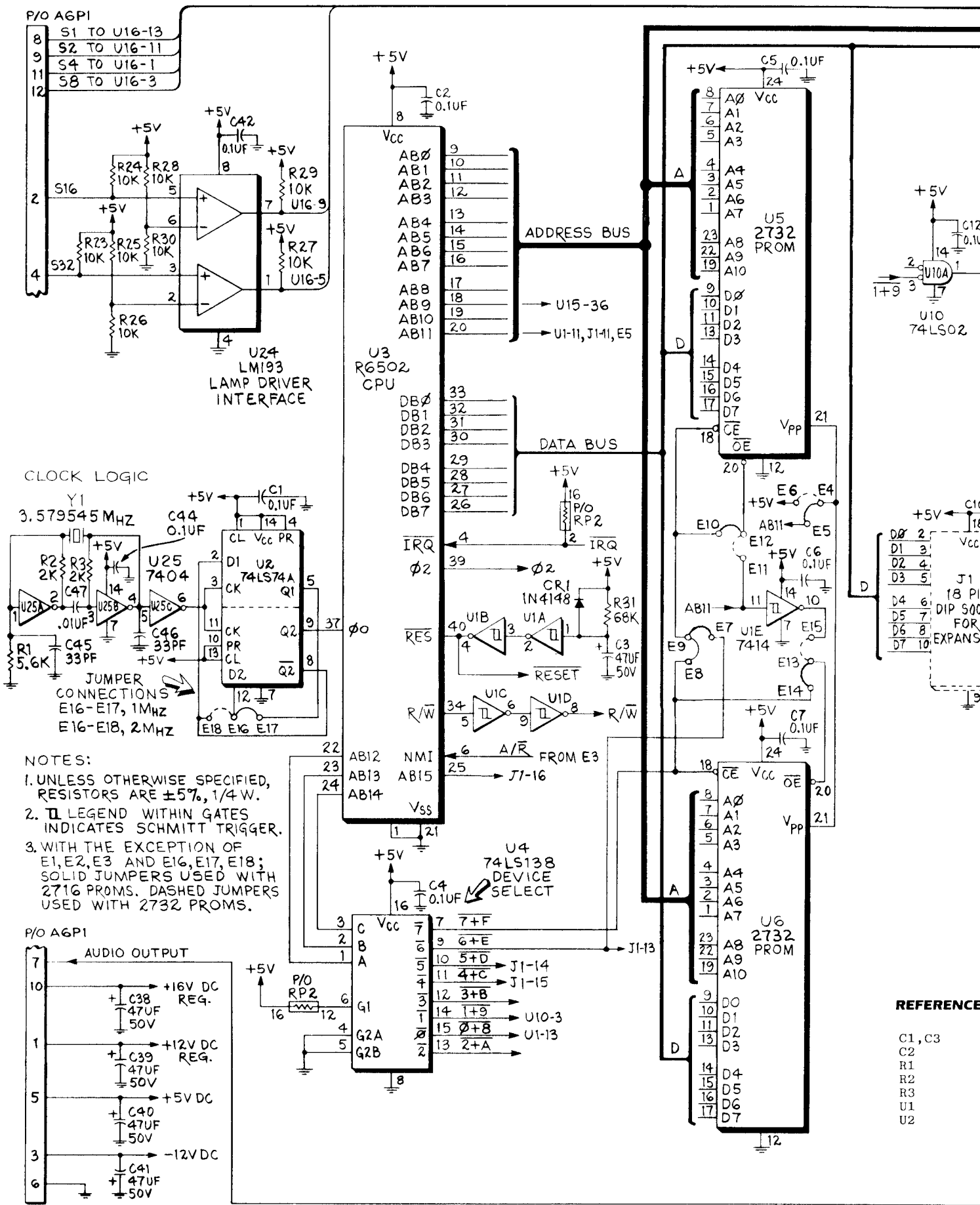
X. WIRING AND SCHEMATIC DIAGRAMS, PARTS LISTS

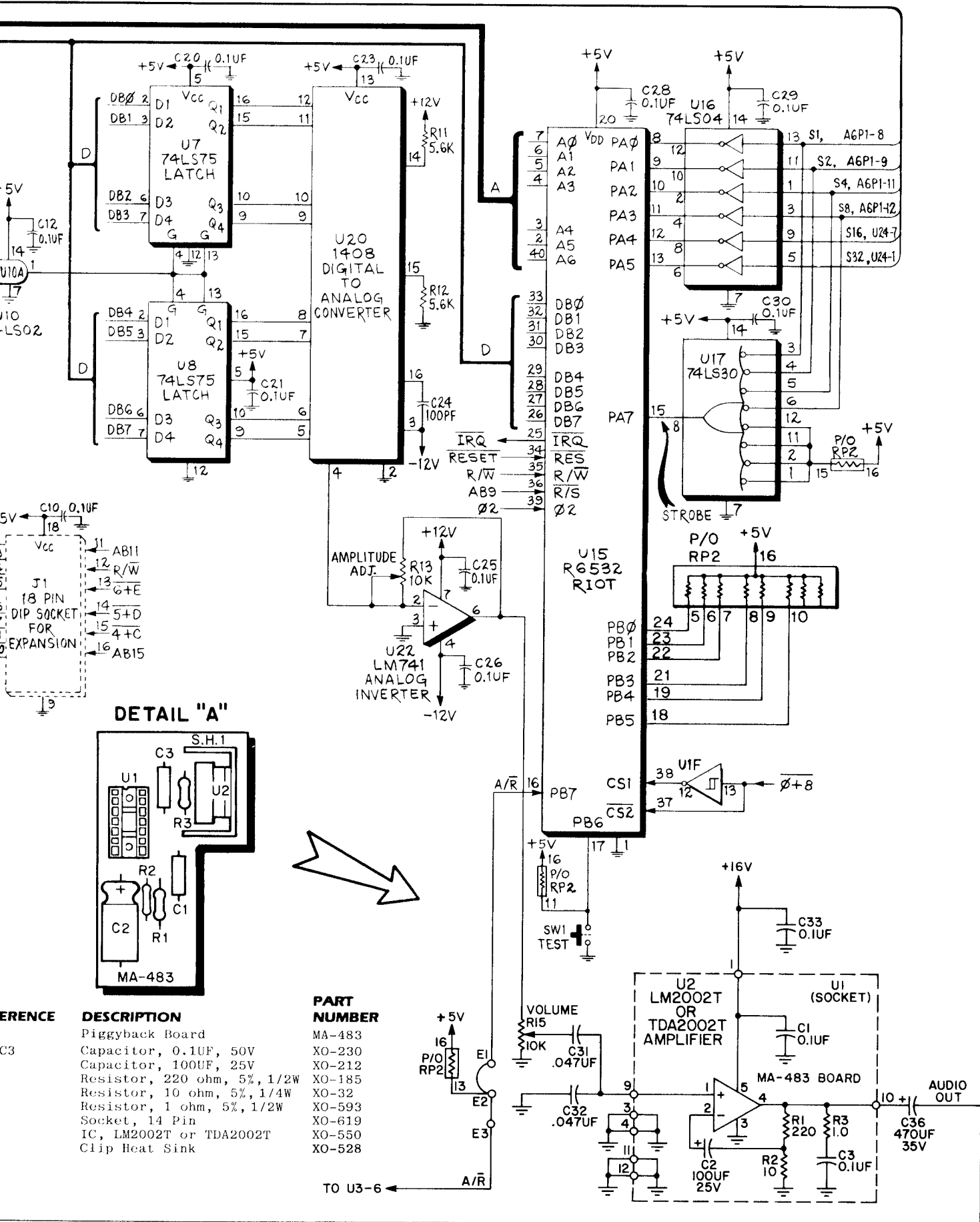
SOUND BOARD ASSY. (A6), COMPONENT LOCATION



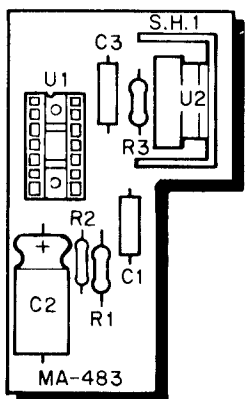
SOUND BOARD ASSY. (A6), PARTS LIST

REFERENCE	DESCRIPTION	PART NO.	REFERENCE	DESCRIPTION	PART NO.
C1, C2	Sound Board Assembly	MA-487	RP2	Resistor, DIP	XO-168
C4-C7, C10	Capacitor, 0.1UF, 25V	XO-248	SW1	Switch, Momentary Pushbutton	XO-515
C12, C20, C21			U1	IC, 7414	XO-397
C23, C25, C26			U2	IC, SN74LS74N	XO-434
C28, C29, C30			U3	CPU, R6502-13	XO-360
C33, C42, C44			U4	IC, SN74LS138N	XO-437
C31, C32	Capacitor, .047UF, 25V	XO-222	U5-U6	EPROM, 2732	XO-485
C37	Capacitor, 4.7UF, 35V	XO-291	U7	IC, SN74LS75	XO-394
C3, C38-C41	Capacitor, 47UF, 50V	XO-210	U10	IC, SN74LS02N	XO-428
C24	Capacitor, 100PF	XO-223	U15	RRIOT, R6532-18	XO-361
C36	Capacitor, 470UF, 35V	XO-284	U16	IC, SN74LS04N	XO-418
C45, C46	Capacitor, 33PF	XO-277	U17	IC, SN74LS30N	XO-432
C47	Capacitor, .01UF, 100V	XO-202	U20	Converter, PMI, 1408A-6P	XO-416
CR1	Diode, 1N4148	XO-261	U22	IC, LM741CP	XO-393
R1, R11, R12	Resistor, 5.6K ohm, 5%, 1/4W	XO-19	U24	IC, Dual Comparitor, LM193	XO-396
R2, R3	Resistor, 2K ohm, 5%, 1/4W	XO-14	U25	Inverter, 7404	XO-402
R13	Potentiometer, 10K ohm	XO-108	Y1	Crystal, 3.579545MHZ	XO-456
R15	Potentiometer, 10K ohm	XO-109		Socket, 22 Pin DIP	XO-467
R23-R30	Resistor, 10K ohm, 5%, 1/4W	XO-18		Socket, 24 Pin (2)	XO-529
R31	Resistor, 68K ohm, 5%, 1/4W	XO-189		Socket, 40 Pin (2)	XO-530





DETAIL "A"



REFERENCE	DESCRIPTION	PART NUMBER
MA-483	Piggyback Board	MA-483
XO-230	Capacitor, 0.1UF, 50V	XO-230
XO-212	Capacitor, 100UF, 25V	XO-212
XO-185	Resistor, 220 ohm, 5%, 1/2W	XO-185
XO-32	Resistor, 10 ohm, 5%, 1/4W	XO-32
XO-593	Resistor, 1 ohm, 5%, 1/2W	XO-593
XO-619	Socket, 14 Pin	XO-619
XO-550	IC, LM2002T or TDA2002T	XO-550
XO-528	Clip Heat Sink	XO-528

SOUND BOARD ASSY. (A6), SCHEMATIC DIAGRAM