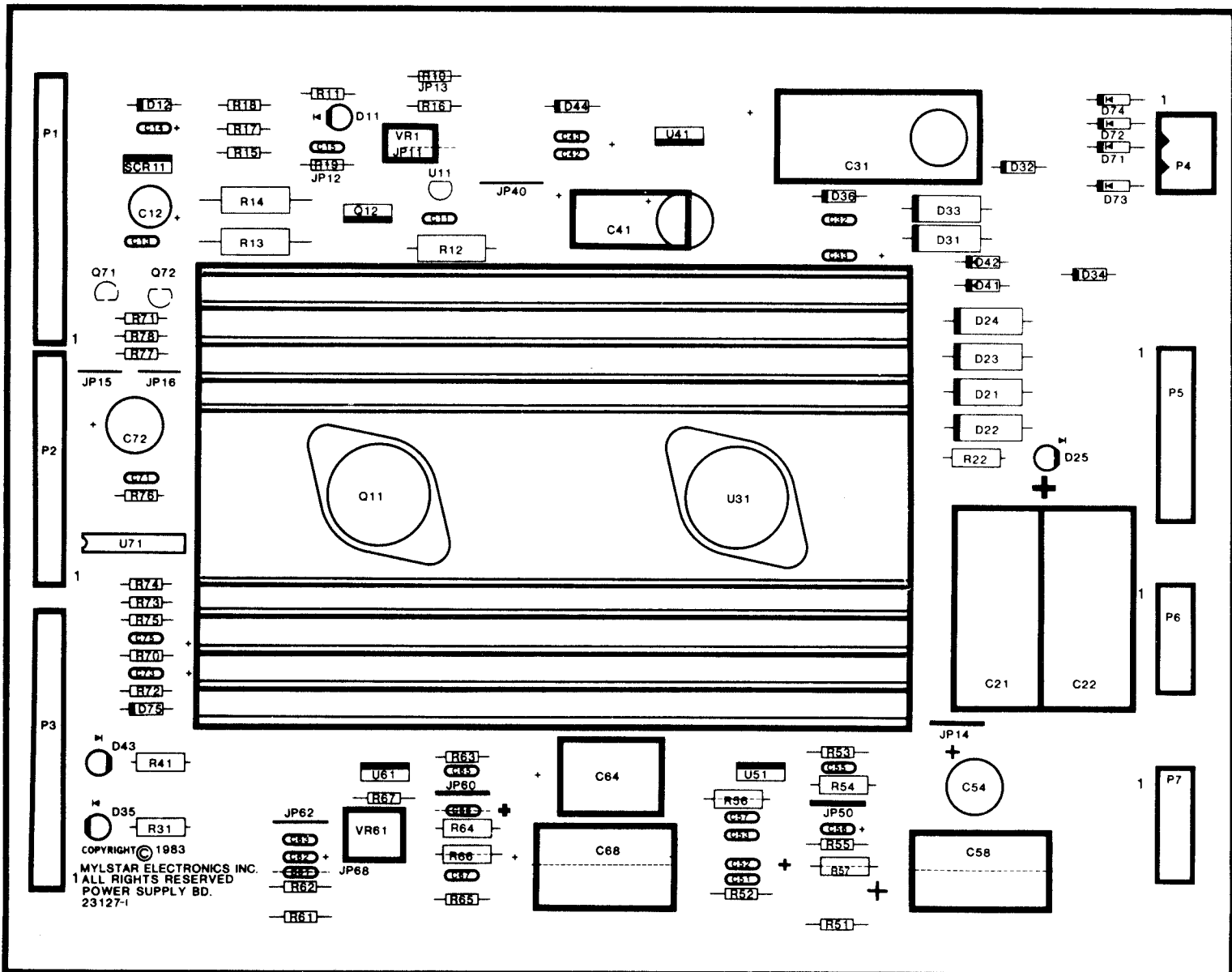


X. WIRING AND SCHEMATIC DIAGRAMS, PARTS LISTS

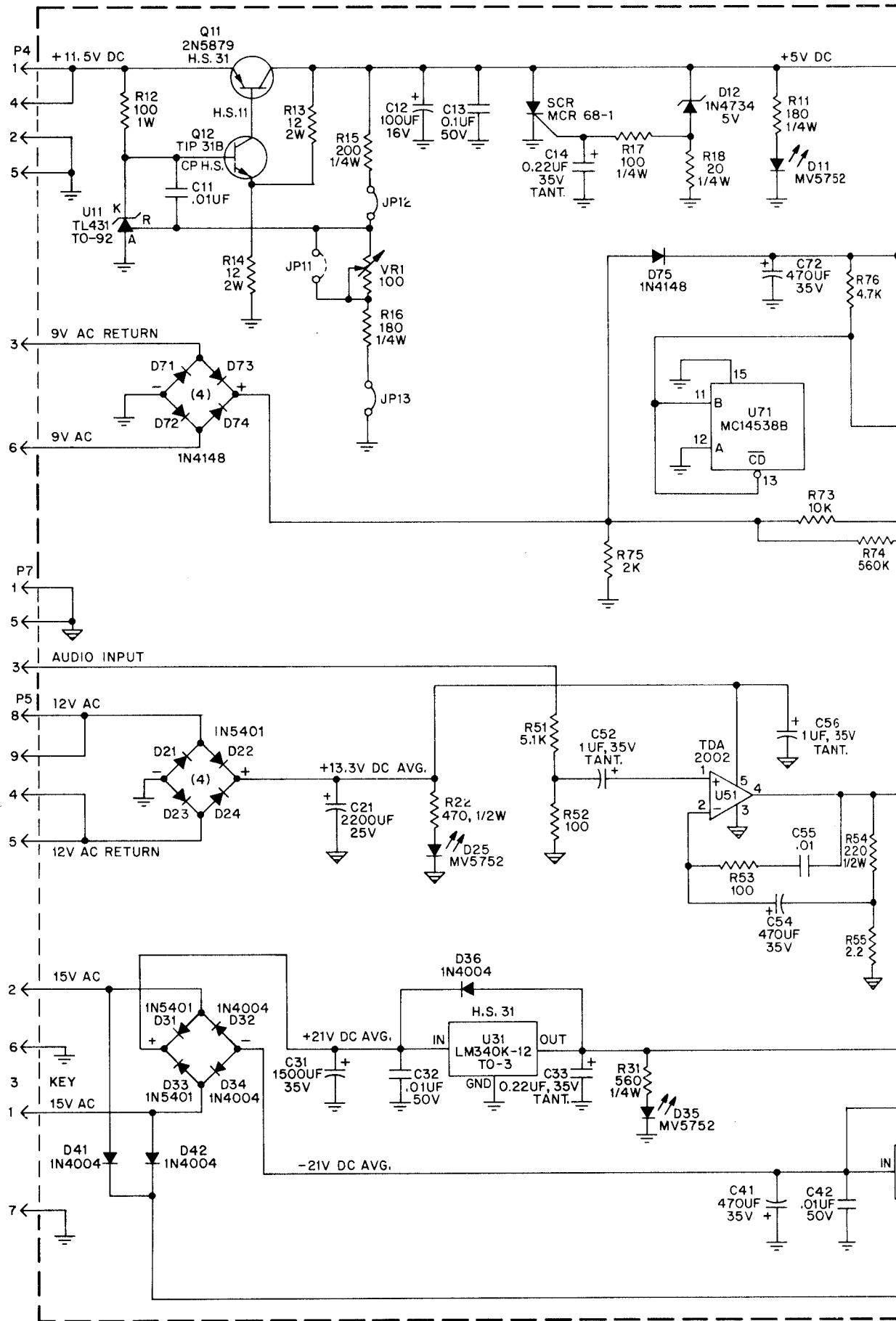
POWER SUPPLY ASSY. (A3), COMPONENT LOCATION

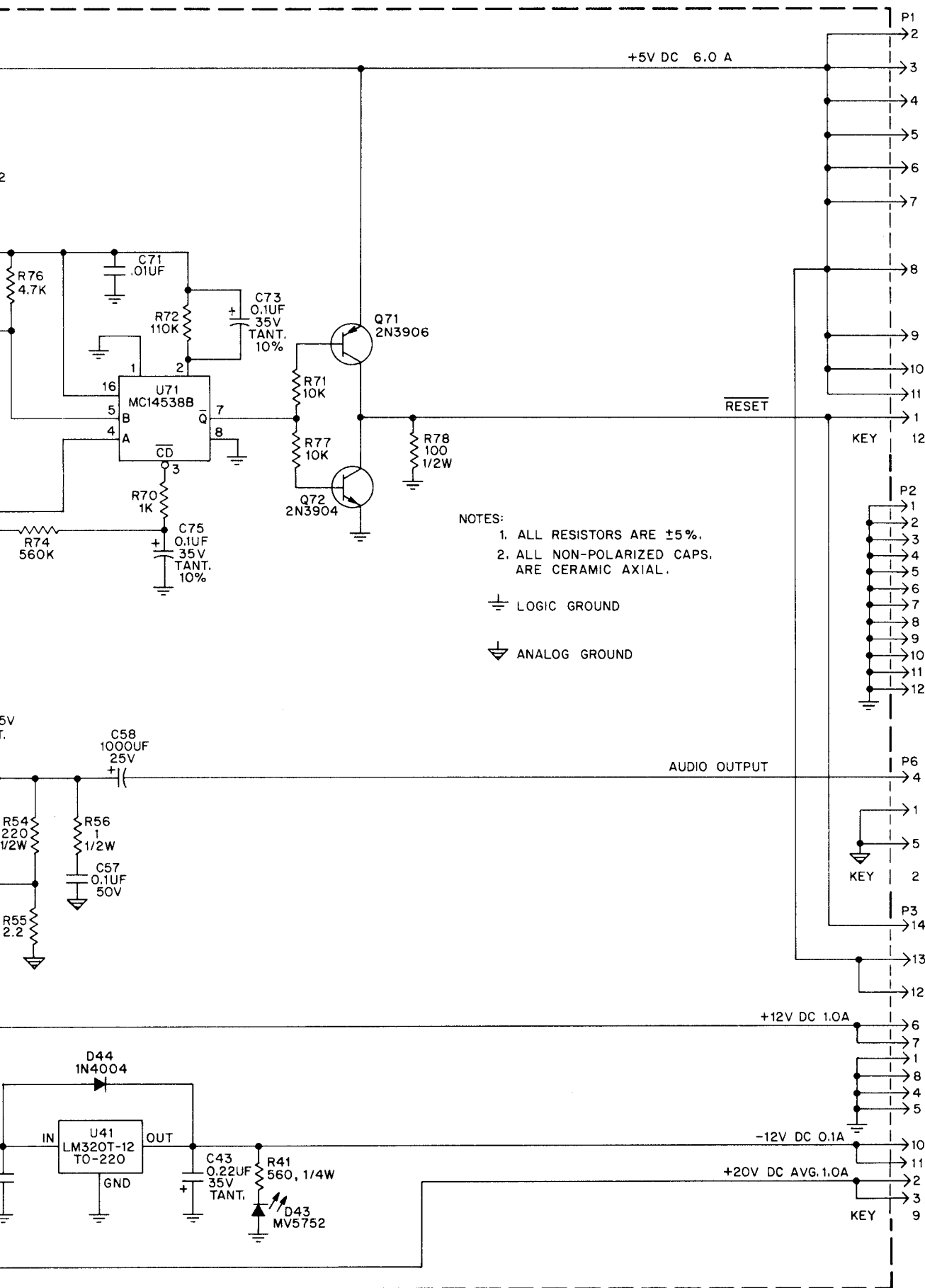


POWER SUPPLY ASSY. (A3), PARTS LIST

REFERENCE	DESCRIPTION	PART NO.	REFERENCE	DESCRIPTION	PART NO.
C11, C32, C42, C55, C71	Power Supply Assembly	MA-479			
C12	Capacitor, .01UF, 50V	XO-229			
C13, C57	Capacitor, 100UF, 16V	XO-235			
C14, C33, C43	Capacitor, .1UF, 50V	XO-558			
C21	Capacitor, .22UF, 35V	XO-615			
C31	Capacitor, 2200UF, 25V	XO-346			
C41, C54, C72	Capacitor, 1500UF, 35V	XO-616			
C52, C56	Capacitor, 470UF, 35V	XO-284			
C58	Capacitor, 1UF, 35V	XO-715			
C73, C75	Capacitor, 1000UF, 25V	XO-218			
D11, D25, D35, D43	Capacitor, .1UF, 35V	XO-614			
D12	Diode, Light Emitting MV-5752	XO-270			
D21-D24, D31, D33	Diode, Zener, 5.6V, 1N4734A	XO-255			
D32, D34, D36, D41, D42, D44	Diode, 1N5401	XO-263			
D71-D75	Diode, 1N4148	XO-261			
Q11	Diode, 1N4004	XO-254			
Q12	Transistor, PNP, 2N5879	XO-323			
Q71	Transistor, TIP31B	XO-641			
Q72	Transistor, PNP, 2N3906	XO-588			
R11, R16	Transistor, NPN, 2N3904	XO-549			
	Resistor, 180 OHM, 5%, 1/4W	XO-24	R12	Resistor, 100 OHM, 5%, 1W	XO-137
			R13, R14	Resistor, 12 OHM, 5%, 3W	XO-138
			R15	Resistor, 200 OHM, 5%, 1/4W	XO-143
			R17, R52, R53	Resistor, 100 OHM, 5%, 1/4W	XO-28
			R18	Resistor, 20 OHM, 5%, 1/4W	XO-29
			R22	Resistor, 470 OHM, 5%, 1/2W	XO-55
			R31, R41	Resistor, 560 OHM, 5%, 1/4W	XO-36
			R51	Resistor, 51.1K OHM, 5%, 1/4W	XO-40
			R54	Resistor, 220 OHM, 5%, 1/2W	XO-185
			R55	Resistor, 2.2 OHM, 5%, 1/4W	XO-595
			R56	Resistor, 1 OHM, 5%, 1/2W	XO-593
			R70	Resistor, 1K OHM, 5%, 1/4W	XO-5
			R71, R73, R77	Resistor, 10K OHM, 5%, 1/4W	XO-18
			R72	Resistor, 110K OHM, 5%, 1/4W	XO-591
			R74	Resistor, 560K OHM, 5%, 1/4W	XO-704
			R75	Resistor, 2K OHM, 5%, 1/4W	XO-14
			R76	Resistor, 4.7K OHM, 5%, 1/4W	XO-7
			R78	Resistor, 100 OHM, 5%, 1/2W	XO-52
			SCR68-1	Silicon Controlled Rectifier	XO-131
			U11	Voltage Regulator, Zener TL431	XO-272
			U31	Voltage Regulator, -12V, LM340K	XO-628
			U41	Voltage Regulator, -12V, LM320T	XO-613
			U51	Audio Amplifier, LM200T	XO-550
			U71	IC, CMOS	XO-564
			VR1	Potentiometer, 100 OHM	XO-134

X. WIRING AND SCHEMATIC





NOTES:
 1. ALL RESISTORS ARE $\pm 5\%$.
 2. ALL NON-POLARIZED CAPS. ARE CERAMIC AXIAL.

⊥ LOGIC GROUND
 ⚡ ANALOG GROUND

POWER SUPPLY ASSY. (A3), SCHEMATIC DIAGRAM