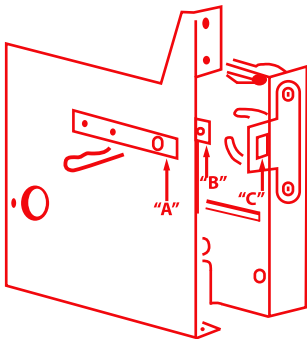


TO REMOVE SLUG REJECTOR

1. PUSH BACK ON TENSION BRACKET "A" TO RELEASE LOCKING PLATE
2. PULL REJECTOR STRAIGHT OUT TOWARD YOU.



TO REPLACE SLUG REJECTOR

1. PUSH BACK ON BRACKET "A"
2. SLIDE REJECTOR IN UNTIL PINS AT BACK ENGAGE HOLES IN FRONT DOOR.
3. GUIDE "B" SHOULD SLIDE THROUGH SLOT "C" IN LOCKING PLATE.
4. RELEASE SPRING BRACKET LOCKING IN REJECTOR.

STD. 229





TO CHANGE COIN ENTRY AND PRICE TAG

1. REMOVE (3) SCREWS AND STRAP OF COIN ENTRY CASTING FROM INSIDE TOP OF FRONT DOOR.
2. DROP HINGED COIN ENTRY CASTING AND REMOVE (2) SCREWS AND COIN ENTRY RETAINING BRACKET.
3. INSTALL REQUIRED COIN ENTRY AND PRICE TAG.

STD. 242

